



US00D965211S

(12) **United States Design Patent** (10) **Patent No.:** **US D965,211 S**  
**Goossens et al.** (45) **Date of Patent:** **\*\* Sep. 27, 2022**

(54) **SLOTTED PANEL OF A LIGHT FIXTURE HOUSING**

D693,051 S \* 11/2013 Klu ..... D26/138  
D695,435 S 12/2013 Pederson  
D695,953 S \* 12/2013 Klu ..... D26/138  
D695,955 S \* 12/2013 Klus ..... D26/138  
D697,663 S 1/2014 Speier et al.  
D702,387 S 4/2014 Pedersen

(71) Applicant: **Electronic Theatre Controls, Inc.**,  
Middleton, WI (US)

(Continued)

(72) Inventors: **Joe Goossens**, Middleton, WI (US);  
**Jon Rasche**, Middleton, WI (US);  
**Charles Xu**, Middleton, WI (US); **Zack Zlevor**, Middleton, WI (US)

FOREIGN PATENT DOCUMENTS

CN 201930727877.4 7/2020  
CN 202030559489.2 5/2021

(73) Assignee: **Electronic Theatre Controls, Inc.**,  
Middleton, WI (US)

OTHER PUBLICATIONS

(\*\*) Term: **15 Years**

ETC Large Daylight HDR fos/4 Panel; 2022; <https://www.fullcompass.com/prod/588172-etc-large-daylight-hdr-fos-4-panel-24-x24-fos-4-panel-daylight-hdr-w-diffusion-and-true1-power-cable>; 4Pgs. (Year: 2022).\*

(21) Appl. No.: **29/720,715**

(Continued)

(22) Filed: **Jan. 15, 2020**

(51) **LOC (13) Cl.** ..... **26-05**

(52) **U.S. Cl.**  
USPC ..... **D26/138**; D26/152

(58) **Field of Classification Search**  
USPC ..... D26/152, 141, 138, 122, 118, 113, 93,  
D26/63, 60, 24; D25/42, 43, 48.4, 60,  
D25/138; D16/237, 239  
CPC ..... F21S 4/00; F21S 4/20; F21S 4/28; F21S  
8/00; F21S 8/024; F21S 8/026; F21S  
8/031; F21S 8/033; F21S 8/035; F21S  
8/036; F21S 8/037; F21V 15/00; F21V  
15/01; F21V 15/04; F21V 15/012; F21V  
15/013; F21V 15/015  
See application file for complete search history.

*Primary Examiner* — Michelle E. Wilson  
*Assistant Examiner* — Clese Moore, Jr.  
(74) *Attorney, Agent, or Firm* — Michael Best & Friedrich LLP

(57) **CLAIM**

We claim the ornamental design for a slotted panel of a light fixture housing, as shown and described.

**DESCRIPTION**

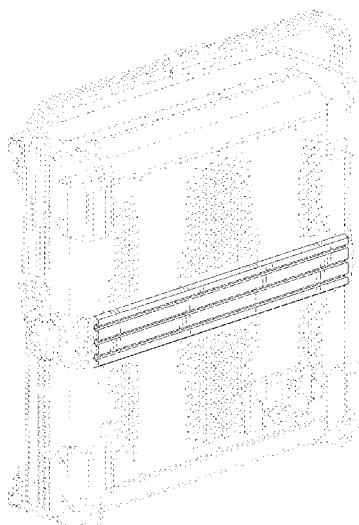
FIG. 1 is a perspective view of a slotted panel of a light fixture housing embodying the present invention. FIG. 2 is a right side view of the design shown in FIG. 1. FIG. 3 is a left side view of the design shown in FIG. 1. FIG. 4 is a rear view of the design shown in FIG. 1. FIG. 5 is a top view of the design shown in FIG. 1; and, FIG. 6 is a bottom view of the design shown in FIG. 1. The portions of the light fixture shown in broken lines form no part of the claimed design. The slotted panel is not visible in the view opposite FIG. 4.

(56) **References Cited**

U.S. PATENT DOCUMENTS

D292,619 S \* 11/1987 Chen ..... D26/141  
D570,037 S 5/2008 Hartman  
D632,418 S \* 2/2011 Bisberg ..... D26/76  
D634,471 S 3/2011 Hsieh  
D650,504 S 12/2011 Kim et al.  
D673,712 S \* 1/2013 Patel ..... D26/74

**1 Claim, 6 Drawing Sheets**



(56)

## References Cited

## U.S. PATENT DOCUMENTS

D715,994 S *	10/2014	Klus .....	D26/141
D724,256 S *	3/2015	Klus .....	D26/141
D724,260 S *	3/2015	Klus .....	D26/141
D738,555 S	9/2015	Kjaergaard	
D749,775 S	2/2016	Provitola	
D767,188 S	9/2016	Jigamian	
D785,219 S	4/2017	Swai et al.	
D792,017 S *	7/2017	Klus .....	D26/141
D796,111 S *	8/2017	Trzcielinski .....	D26/142
D797,339 S *	9/2017	Wang .....	D26/63
D800,374 S	10/2017	Klus	
D800,810 S *	10/2017	Hynek .....	D15/143
D803,448 S *	11/2017	Dupras .....	D26/63
D807,572 S *	1/2018	Klus .....	D26/138
D814,678 S *	4/2018	Zhan .....	D26/63
D827,174 S	8/2018	Yu	
D832,489 S *	10/2018	Agro .....	D26/113
D842,520 S *	3/2019	Brandrup .....	D26/63
D854,212 S *	7/2019	Yuan .....	D26/63
D858,846 S *	9/2019	Flügel .....	D26/63
D860,499 S	9/2019	Graham et al.	
D862,787 S *	10/2019	Rashidi Doust .....	D26/24
D868,353 S *	11/2019	Trzcielinski .....	D26/138
D869,070 S *	12/2019	Trzcielinski .....	D26/138
D869,077 S *	12/2019	Trzcielinski .....	D26/138
D869,544 S *	12/2019	Zhan .....	D16/237
D875,299 S *	2/2020	Trzcielinski .....	D26/138
D880,742 S	4/2020	Li et al.	
D886,336 S	6/2020	Wang	
D898,970 S	10/2020	Chen et al.	
D899,657 S	10/2020	You	
D903,188 S	11/2020	Kruger	
D903,917 S	12/2020	Pietschmann	
D911,570 S	2/2021	Zheng	

D912,867 S	3/2021	Qiu	
D925,818 S	7/2021	Pan	
D929,004 S	8/2021	Qui	
D929,031 S	8/2021	Sieczkowski	
2004/0107667 A1	6/2004	White et al.	
2007/0187412 A1	8/2007	Gruskin et al.	

## OTHER PUBLICATIONS

ETC fos/4 PL16—Lustr X8 LED Studio Panel 16"×24"; 2022; <https://www.farralane.com/etc-fos-4-pl16-lustr-x8-led-studio-panel-16-x-24.html>; 6Pgs. (Year: 2022).\*

Amazon, "Richelieu Hardware BP954278900 Traditional Corner Bracket", first available Aug. 11, 2016 (<https://www.amazon.com/Richelieu-Hardware-B-P954278900-Traditional-Decorative/dp/BO1K70F1YS/>)(Year: 2016).

I Instagram, "electronictheatrecontrols" first available Jan. 15, 2020. ([https://www.instagram.com/p/B7V\\_pQMpUVU/](https://www.instagram.com/p/B7V_pQMpUVU/)) (Year: 2020).

Amazon, "4 Pcs 2.4 × 2.9 × 1.8 Inch Foldable Support Bracket", first available Mar. 1, 2021. (<https://www.amazon.com/dp/B08XQWYV3W/>) (Year: 2021).

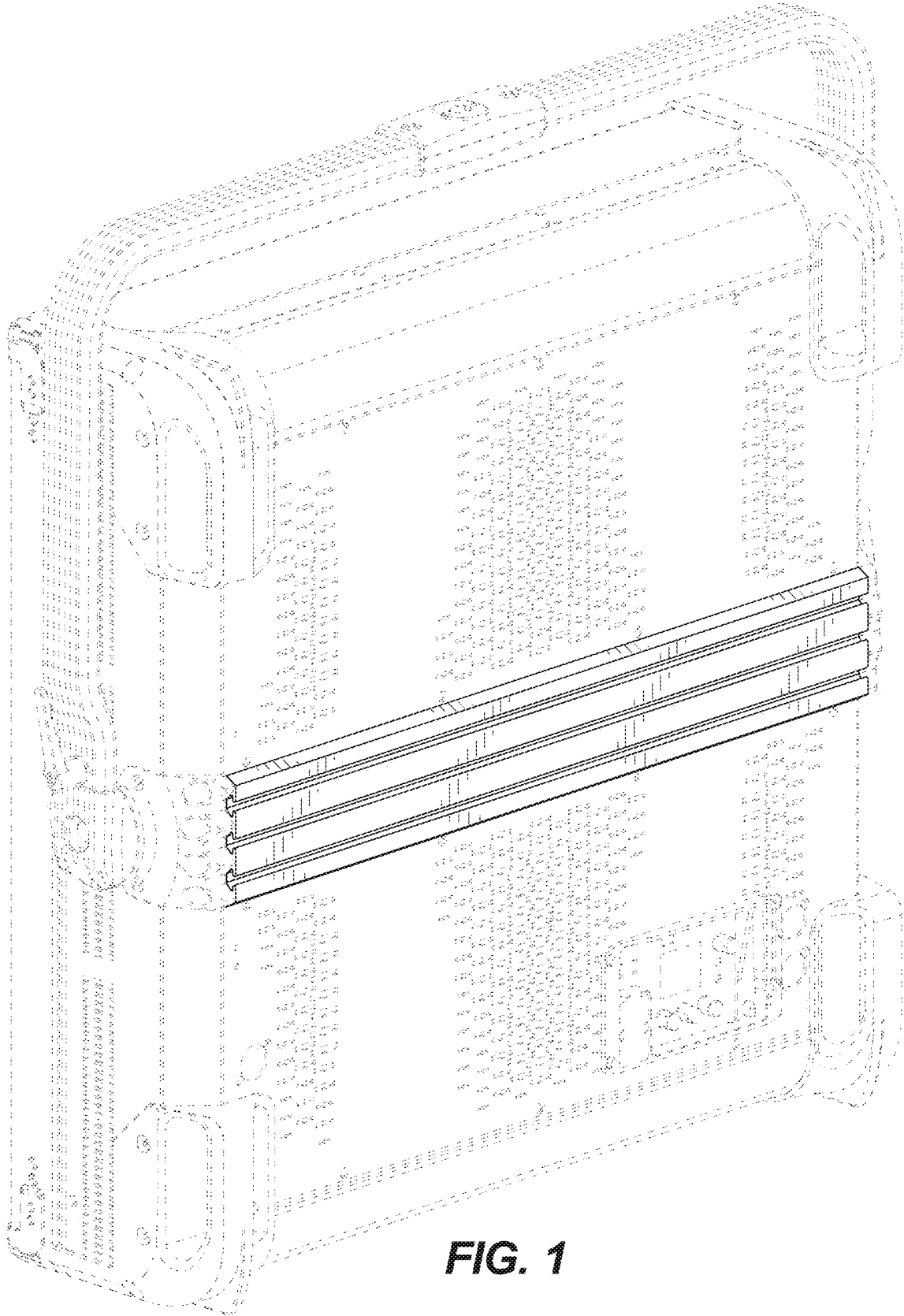
Amazon, "OTTF 10 Pcs 2<sub>1/8</sub> × 4<sub>1/2</sub> In Surface Mount Corner Bracket", first available Feb. 8, 2021. (<https://www.amazon.com/dp/B08W4XFPN9/>) (Year: 2021).

Amazon, "Kekeou LED Flood Light", first available Dec. 17, 2020. (<https://www.amazon.com/dp/B08QV33CCN/>) (Year: 2020).

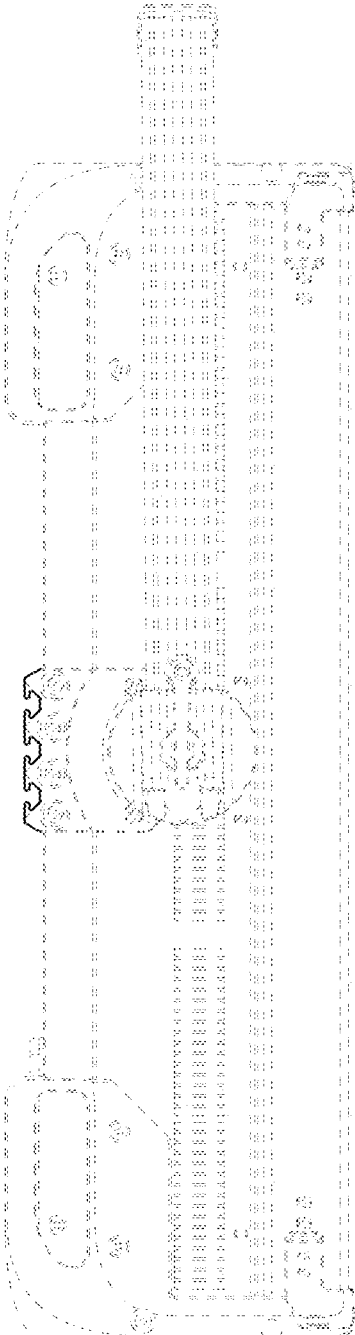
Amazon, "SUPGLAZ 100W Rechargeable LED Work Light", first available Sep. 22, 2020. (<https://www.amazon.com/Rechargeable-Waterproof-Portable-Floodlight-Workshop/dp/B08JQPPV86/>)(Year: 2020).

Amazon, "Lume Cube Bicolor Mountable LED Light", first available Jun. 2, 2020. ([https://www.amazon.com/ Panel-Bicolor-Light-Content-Creation/dp/B089 KRKM ML/](https://www.amazon.com/Panel-Bicolor-Light-Content-Creation/dp/B089 KRKM ML/)) (Year: 2020).

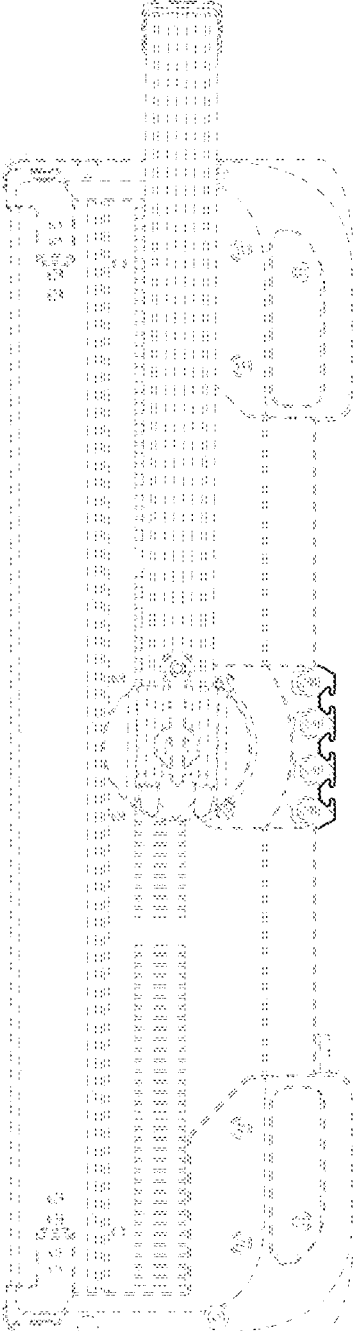
\* cited by examiner



**FIG. 1**



**FIG. 2**



**FIG. 3**

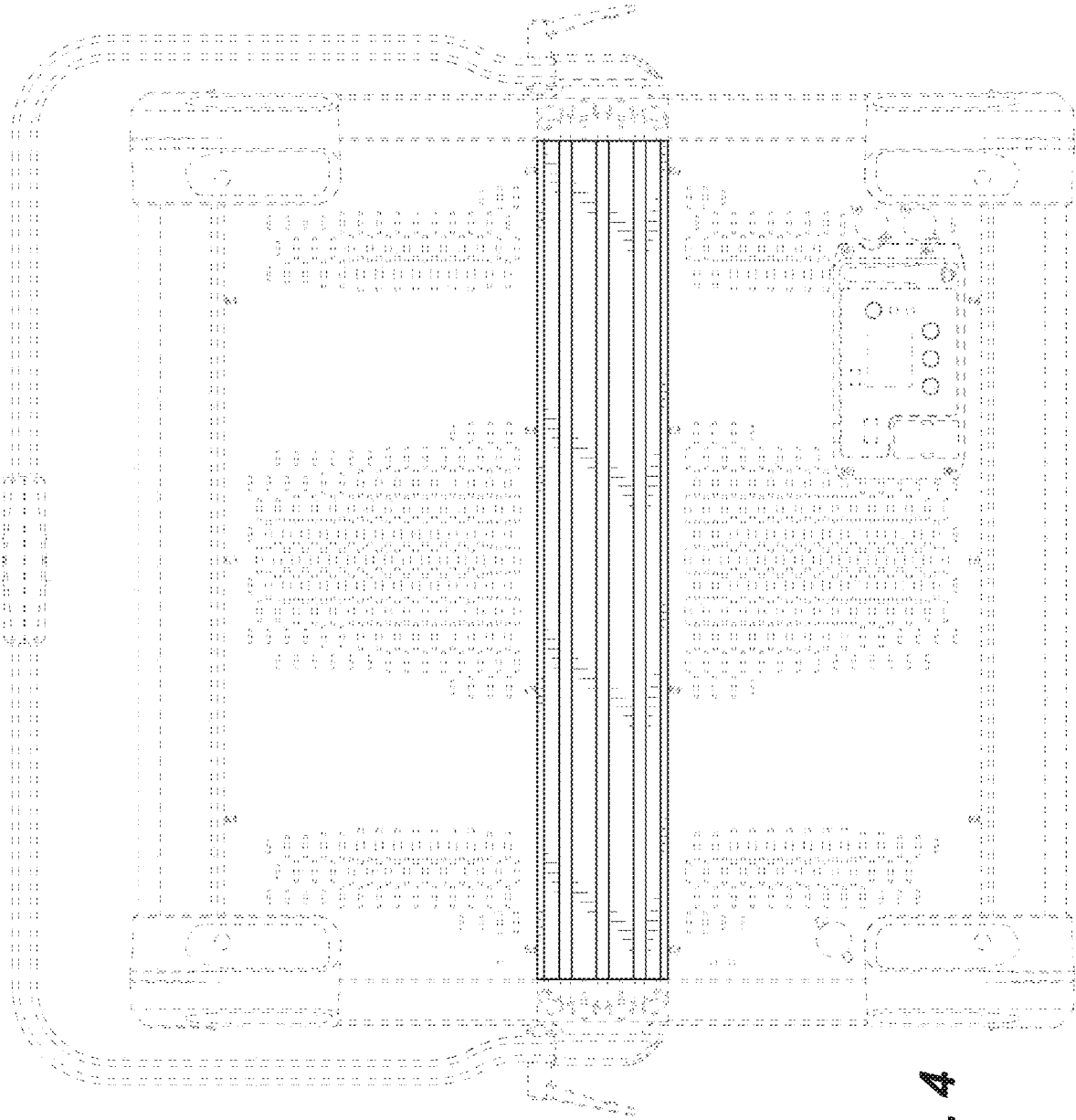
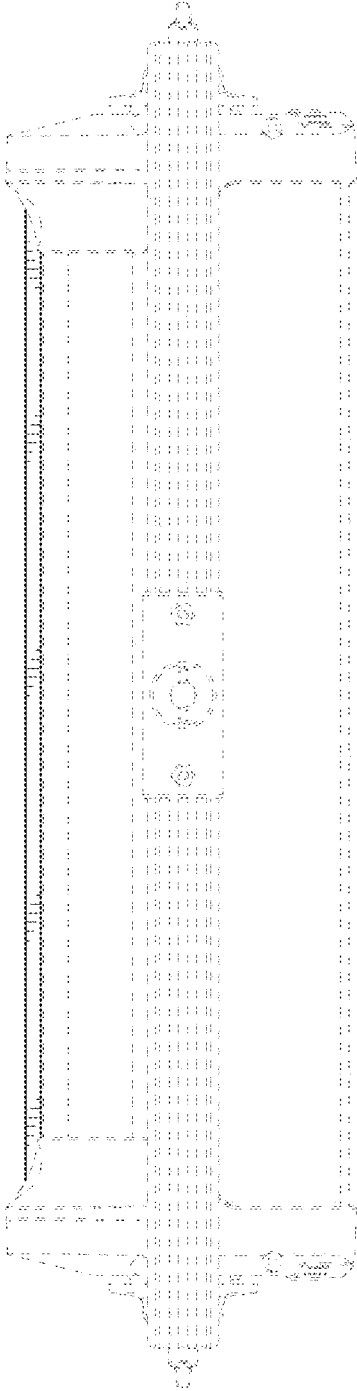


FIG. 4



**FIG. 5**

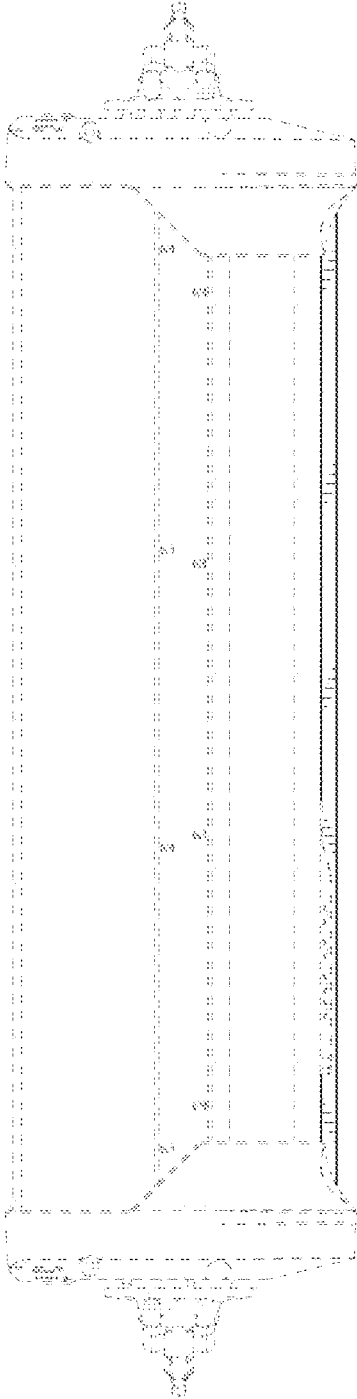


FIG. 6