



US00D950124S

(12) **United States Design Patent**
Goossens et al.

(10) **Patent No.:** **US D950,124 S**
(45) **Date of Patent:** **** Apr. 26, 2022**

- (54) **LIGHT FIXTURE HOUSING**
- (71) Applicant: **Electronic Theatre Controls, Inc.**,
Middleton, WI (US)
- (72) Inventors: **Joe Goossens**, Middleton, WI (US);
Jon Rasche, Middleton, WI (US);
Charles Xu, Middleton, WI (US); **Zack Zlevor**, Middleton, WI (US)
- (73) Assignee: **Electronic Theatre Controls, Inc.**,
Middleton, WI (US)

D903,917 S * 12/2020 Pietschmann D26/63
 D911,570 S * 2/2021 Zheng D26/63
 D929,004 S * 8/2021 Qiu D26/37

FOREIGN PATENT DOCUMENTS

CN 201930727877.4 * 7/2020

OTHER PUBLICATIONS

Amazon, "Kekeou LED Flood Light", first available Dec. 17, 2020.
<https://www.amazon.com/dp/B08QV33CCN/> (Year: 2020).*

(Continued)

(**) Term: **15 Years**

Primary Examiner — Lauren D McVey
Assistant Examiner — Justin A Johnson

(21) Appl. No.: **29/720,713**

(74) *Attorney, Agent, or Firm* — Michael Best &
Friedrich LLP

(22) Filed: **Jan. 15, 2020**

(51) **LOC (13) Cl.** **26-05**
 (52) **U.S. Cl.**
 USPC **D26/63**

(57) **CLAIM**

We claim the ornamental design for a light fixture housing,
as shown and described.

(58) **Field of Classification Search**
 USPC ... D26/1, 24, 37, 46, 48, 50, 61, 62, 63, 64,
 D26/93
 CPC F21S 2/00; F21S 8/00; F21H 1/00; F21H
 1/02; F21H 1/04; F21H 5/00; F21L 2/00
 See application file for complete search history.

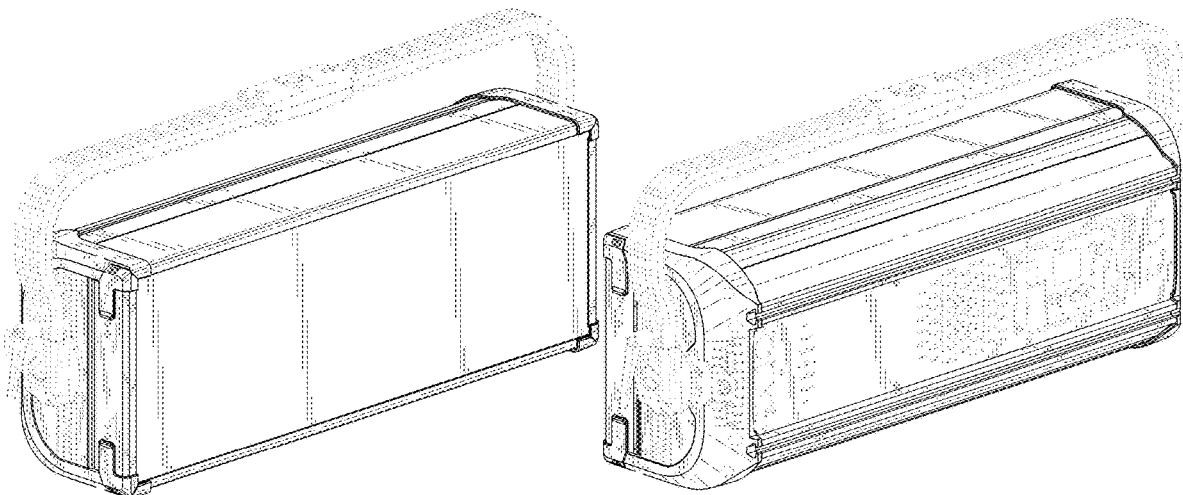
DESCRIPTION

FIG. 1 is a front perspective view of a light fixture housing showing my new design.
 FIG. 2 is a rear perspective view of the design shown in FIG. 1.
 FIG. 3 is a right side view of the design shown in FIG. 1.
 FIG. 4 is a left side view of the design shown in FIG. 1.
 FIG. 5 is a front view of the design shown in FIG. 1.
 FIG. 6 is a rear view of the design shown in FIG. 1.
 FIG. 7 is a top view of the design shown in FIG. 1; and,
 FIG. 8 is a bottom view of the design shown in FIG. 1.
 The broken lines immediately adjacent to the shaded areas depict the bounds of the claimed design, while all other broken lines are directed to environment. The broken lines form no part of the claimed design.

(56) **References Cited**
U.S. PATENT DOCUMENTS

D650,504 S * 12/2011 Kim D26/63
 D695,435 S * 12/2013 Pedersen D26/63
 D702,387 S * 4/2014 Pedersen D26/63
 D785,219 S * 4/2017 Swai D26/63
 D827,174 S * 8/2018 Yu D26/63
 D860,499 S * 9/2019 Graham D26/74
 D880,742 S * 4/2020 Li D26/61
 D886,336 S * 6/2020 Wang D26/24
 D898,970 S * 10/2020 Chen D26/63
 D899,657 S * 10/2020 You D26/63

1 Claim, 7 Drawing Sheets



(56)

References Cited

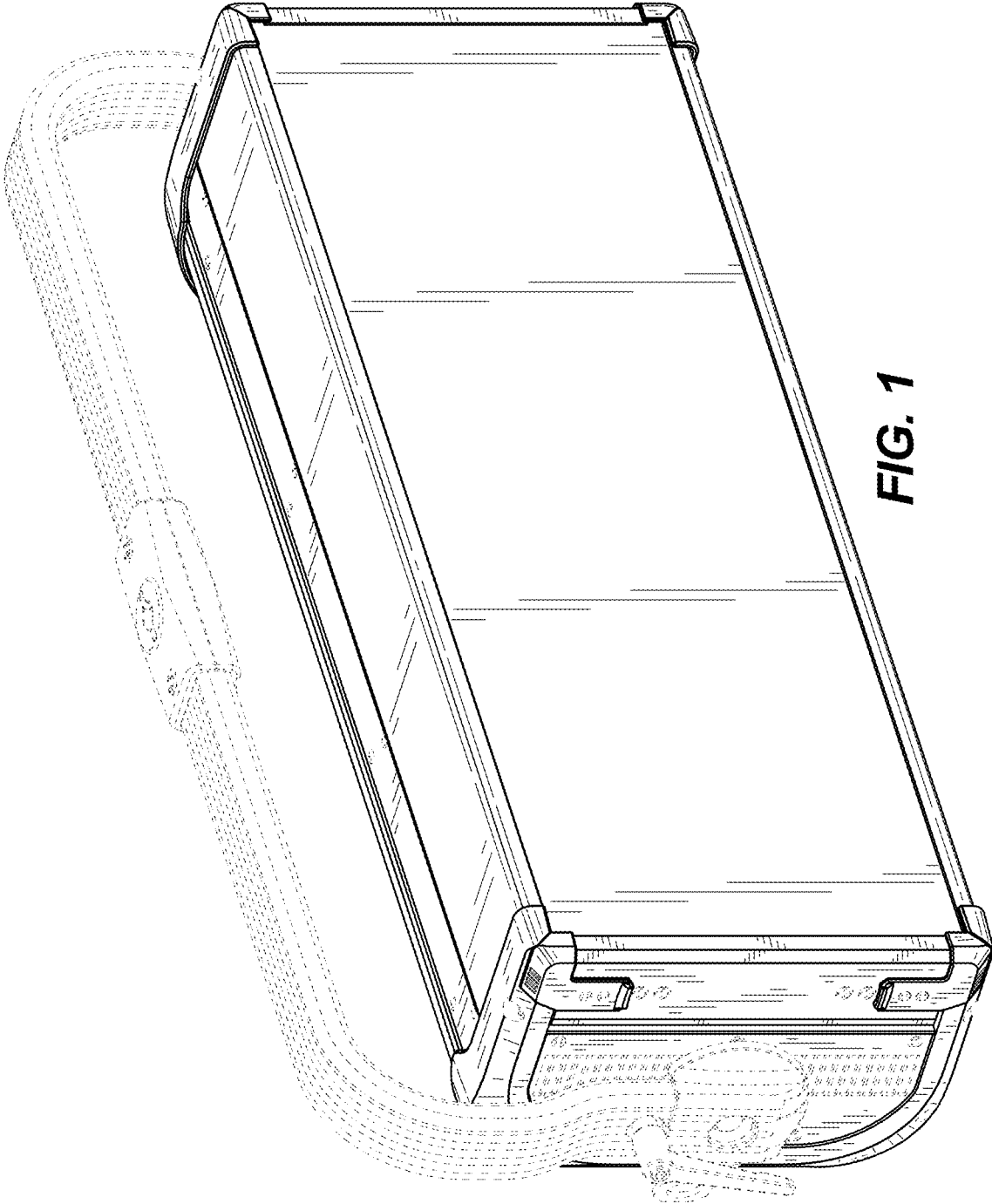
OTHER PUBLICATIONS

Amazon, "SUPGLAZ 100W Rechargeable LED Work Light", first available Sep. 22, 2020. (<https://www.amazon.com/Rechargeable-Waterproof-Portable-Floodlight-Workshop/dp/B08JQPPV86/>) (Year: 2020).*

Amazon, "Lume Cube Bicolor Mountable LED Light", first available Jun. 2, 2020. (<https://www.amazon.com/Panel-Bicolor-Light-Content-Creation/dp/B089KRKMML/>) (Year: 2020).*

Instagram, "electronictheatrecontrols", first available Jan. 15, 2020. (https://www.instagram.com/p/B7V_pQMpUVU/) (Year: 2020).*

* cited by examiner



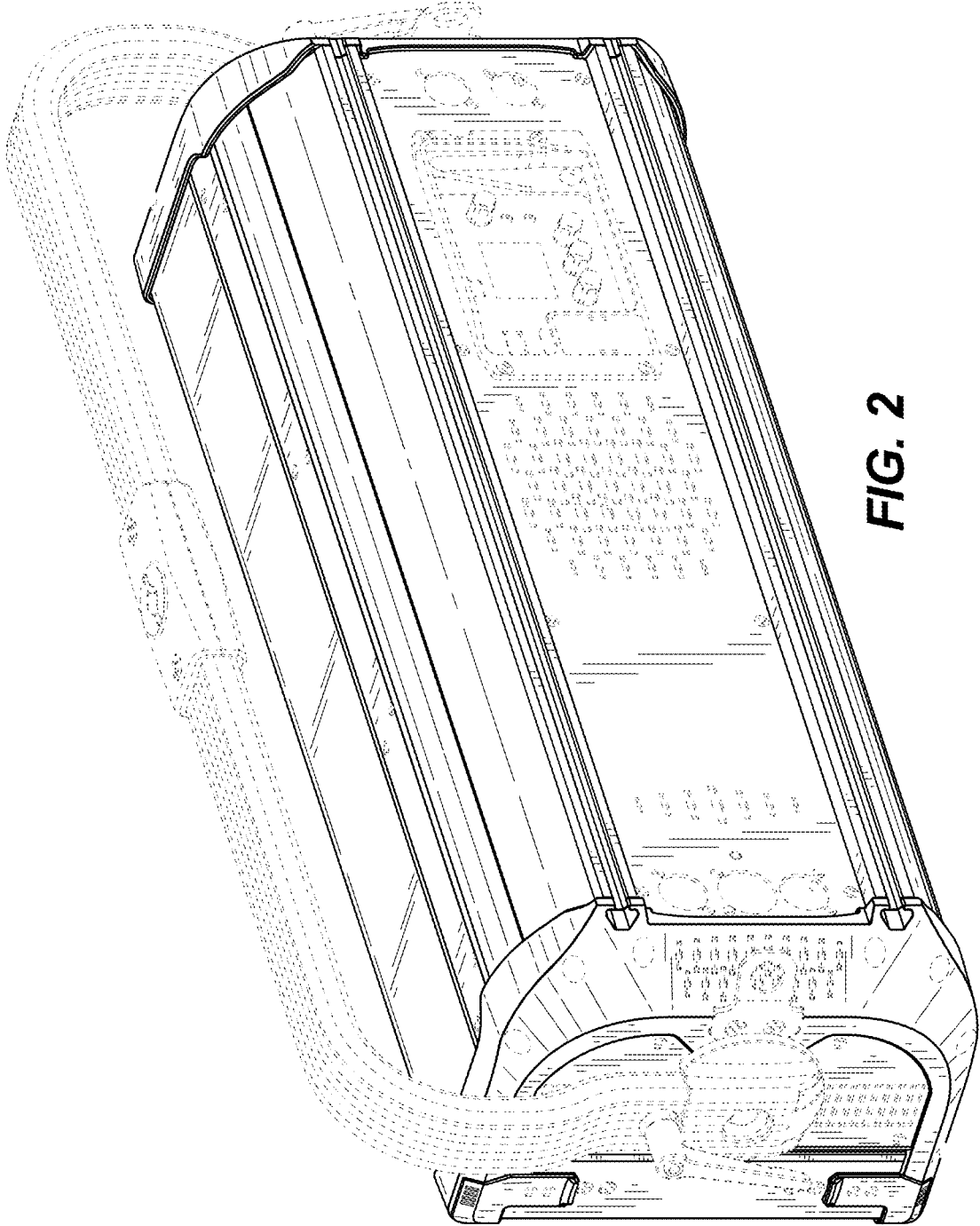


FIG. 2

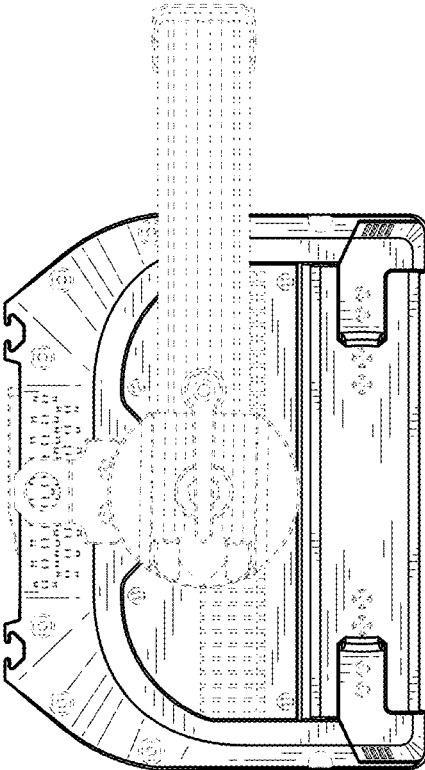


FIG. 3

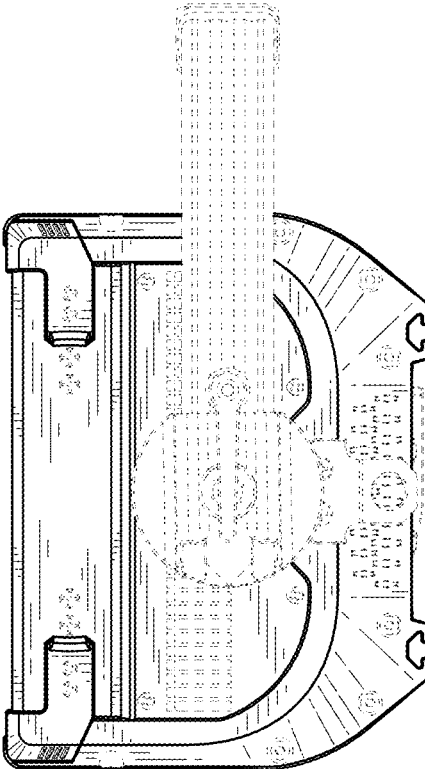


FIG. 4

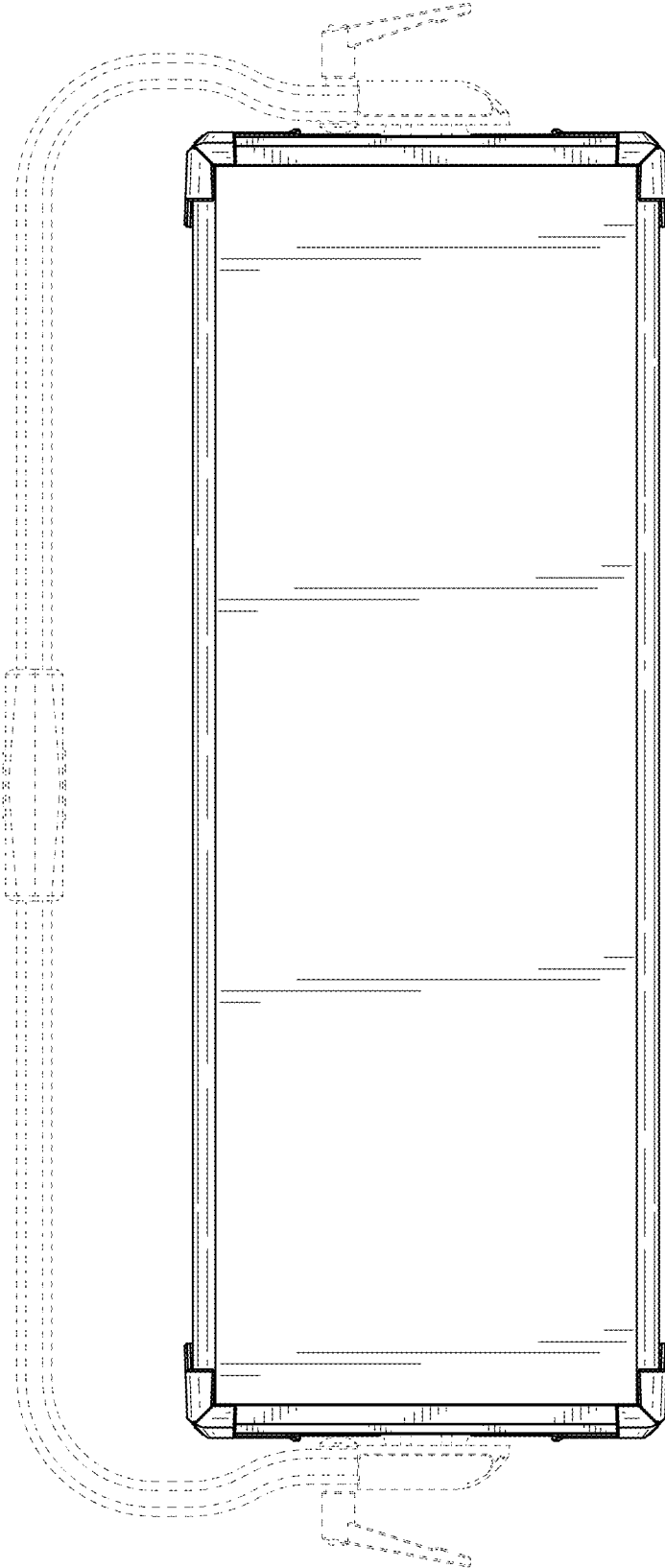


FIG. 5

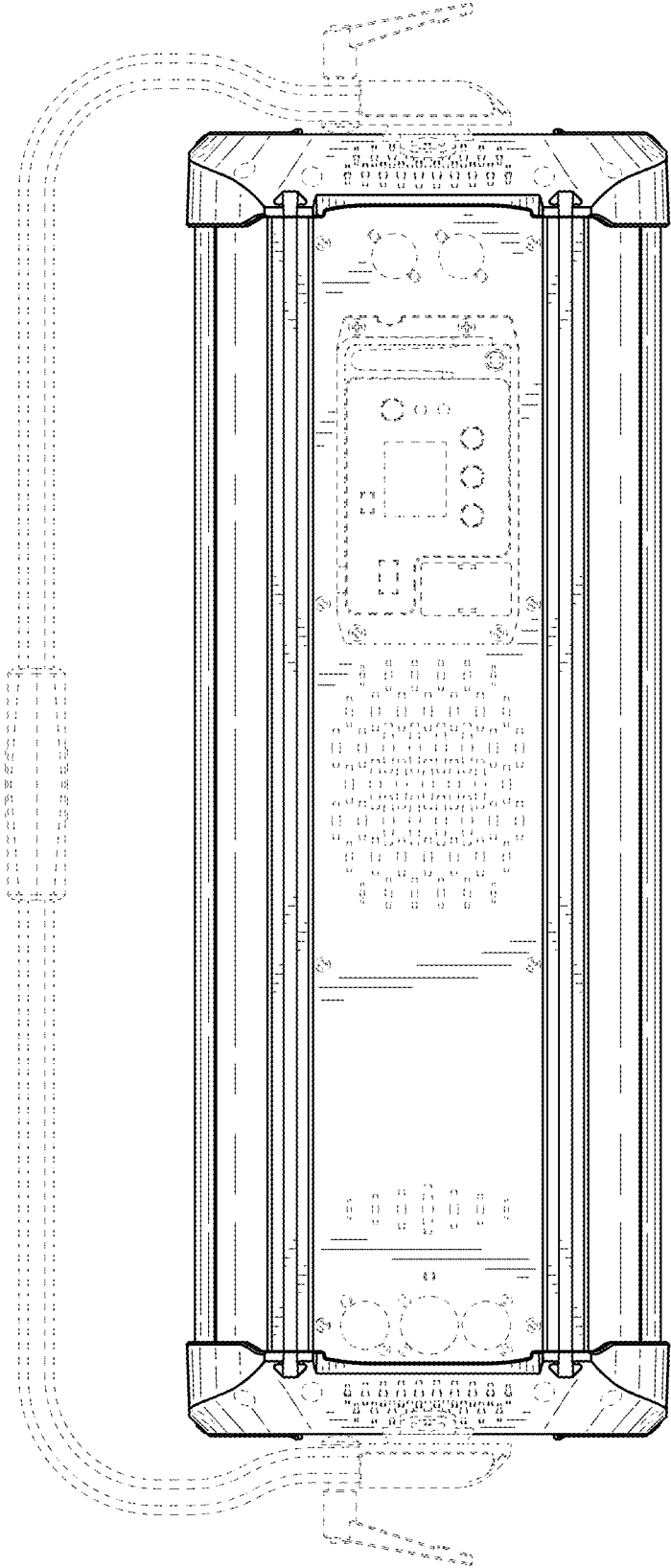


FIG. 6

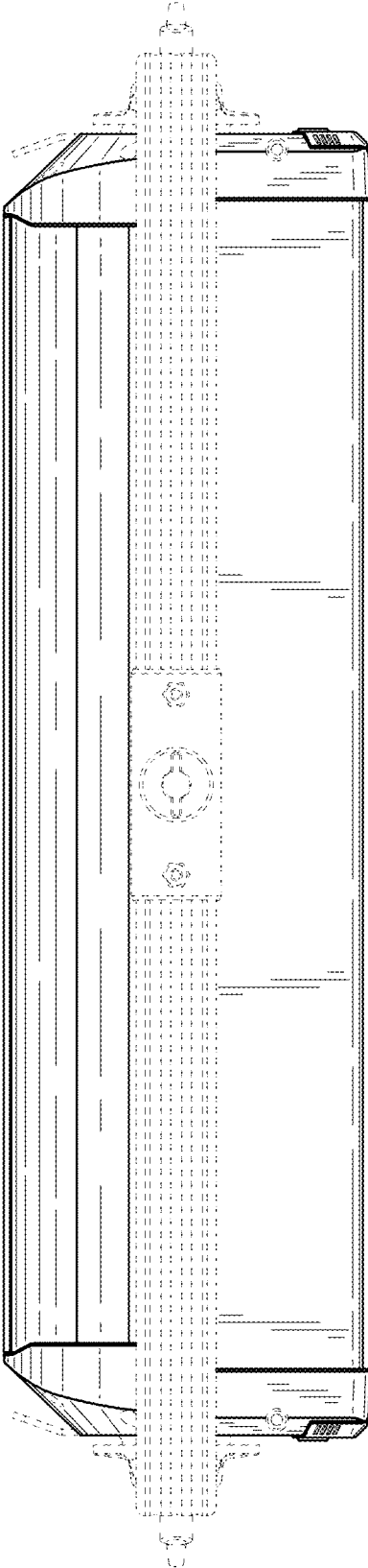


FIG. 7

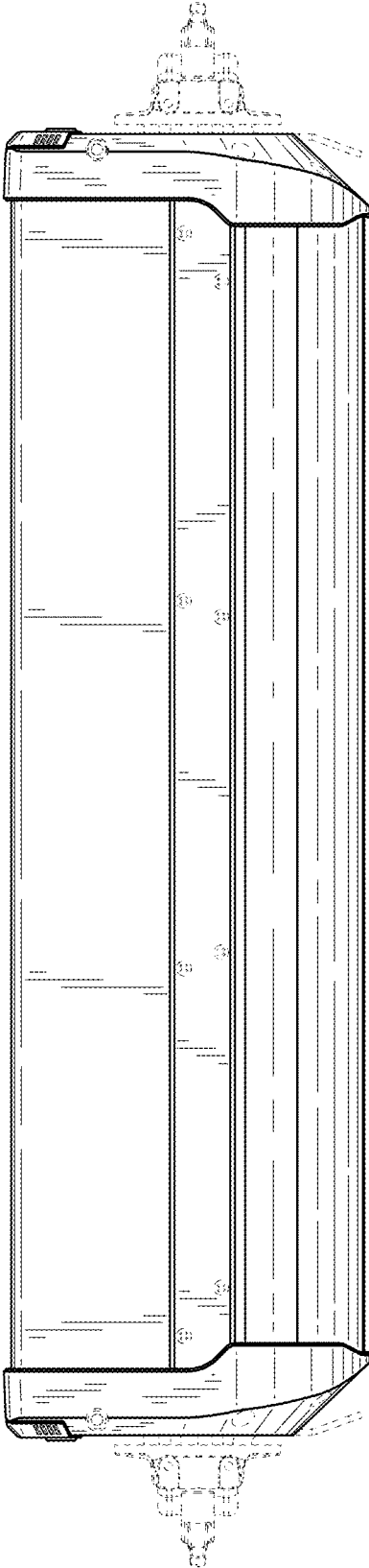


FIG. 8