

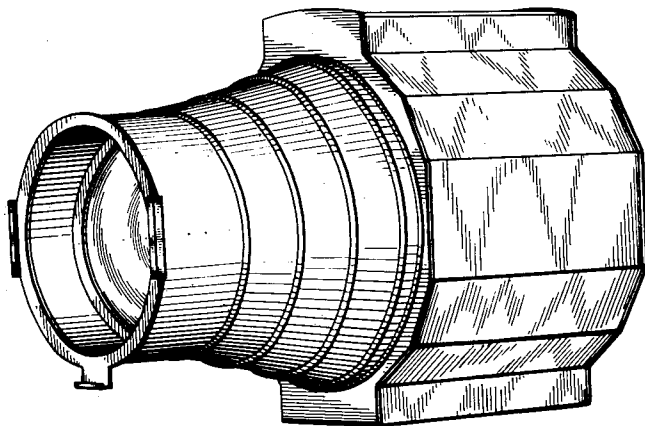
Nov. 6, 1934.

R. C. ENGELKEN ET AL

Des. 93,766

LIGHT PROJECTOR

Filed Jan. 26, 1934



Richard C. Engelken
Herbert G. Kliegl
INVENTORS

BY
Cooper, Kerr & Dunham
ATTORNEYS

Patented Nov. 6, 1934

Des. 93,766

UNITED STATES PATENT OFFICE

93,766

DESIGN FOR A LIGHT PROJECTOR

Richard C. Engelken, Passaic, N. J., and Herbert A. Kliegl, New York, N. Y., assignors to Kliegl Bros. Universal Electric Stage Lighting Co. Inc., New York, N. Y., a corporation of New York

Application January 26, 1934, Serial No. 50,520

Term of patent 7 years

To all whom it may concern:

Be it known that we, RICHARD C. ENGELKEN, a citizen of the United States of America, residing at Passaic, in the county of Passaic and State of New Jersey, and HERBERT A. KLIEGL, a citizen of the United States of America, residing at New York, county and State of New York, have invented a new, original, and ornamental Design for Light Projectors, of which the follow-

ing is a specification, reference being had to the accompanying drawing, forming part thereof.

The figure shows a perspective view of a light projector embodying the new design.

We claim—

The ornamental design for a light projector as shown.

RICHARD C. ENGELKEN.
HERBERT A. KLIEGL.