



US00D825805S

(12) **United States Design Patent**  
**Jurik et al.**

(10) **Patent No.:** **US D825,805 S**

(45) **Date of Patent:** **\*\* Aug. 14, 2018**

(54) **LUMINAIRE**

(71) Applicant: **Robe Lighting s.r.o.**, Roznov pod Radhostem (CZ)

(72) Inventors: **Pavel Jurik**, Prostredni Becva (CZ); **Josef Valchar**, Prostredni Becva (CZ)

(73) Assignee: **Robe Lighting s.r.o.**, Roznov pod Radhostem (CZ)

(\*\*) Term: **15 Years**

(21) Appl. No.: **29/577,550**

(22) Filed: **Sep. 14, 2016**

(51) **LOC (11) Cl.** ..... **26-03**

(52) **U.S. Cl.**  
USPC ..... **D26/63**

(58) **Field of Classification Search**  
USPC ..... D26/1, 24, 61, 63, 65, 85, 92  
CPC ..... F21V 21/14; F21V 15/01; F21V 14/02;  
F21V 21/30; F21V 21/00; F21V 14/00;  
F21S 8/00; F21S 8/003; F21S 8/043;  
F21Y 2105/001  
See application file for complete search history.

(56) **References Cited**

**U.S. PATENT DOCUMENTS**

D389,261 S \* 1/1998 Lin ..... D26/65  
D629,547 S \* 12/2010 Salm ..... D26/63

D728,840 S \* 5/2015 Eustace ..... D26/63  
D735,388 S \* 7/2015 Schlegel ..... D26/63  
D750,827 S \* 3/2016 Jonischkeit ..... D26/61  
D751,234 S \* 3/2016 Eustace ..... D26/63  
D759,280 S \* 6/2016 Moller ..... D26/63  
D779,096 S \* 2/2017 Xu ..... D26/63  
D789,581 S \* 6/2017 Peard ..... D26/61

\* cited by examiner

*Primary Examiner* — Brian N Vinson

(74) *Attorney, Agent, or Firm* — Conley Rose, P.C.; Grant Rodolph; Brooks W Taylor

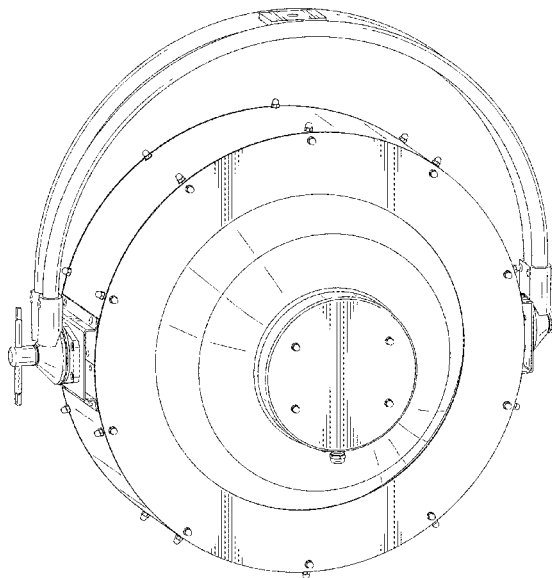
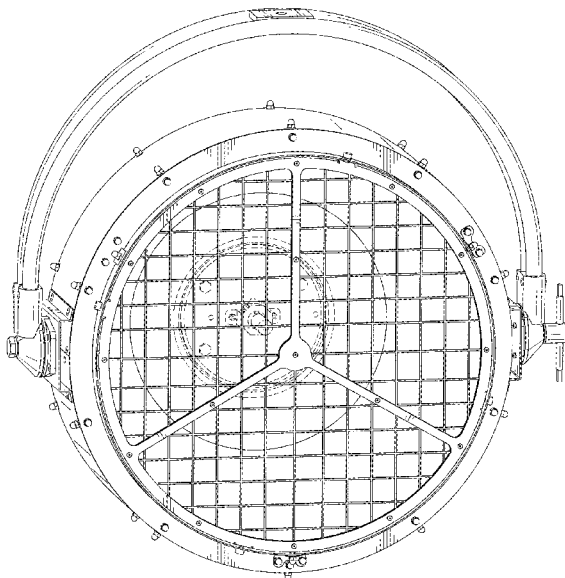
(57) **CLAIM**

The ornamental design for a luminaire, as shown and described.

**DESCRIPTION**

FIG. 1 is a front elevational view of a luminaire showing our new design;  
FIG. 2 is a left side elevational view thereof;  
FIG. 3 is a rear elevational view thereof;  
FIG. 4 is a top plan view thereof;  
FIG. 5 is a top, front, and left side perspective view thereof; and,  
FIG. 6 is a top, rear and right side elevational view thereof. The broken line disclosure represents portions of the Luminaire which form no part of the claimed design.

**1 Claim, 6 Drawing Sheets**



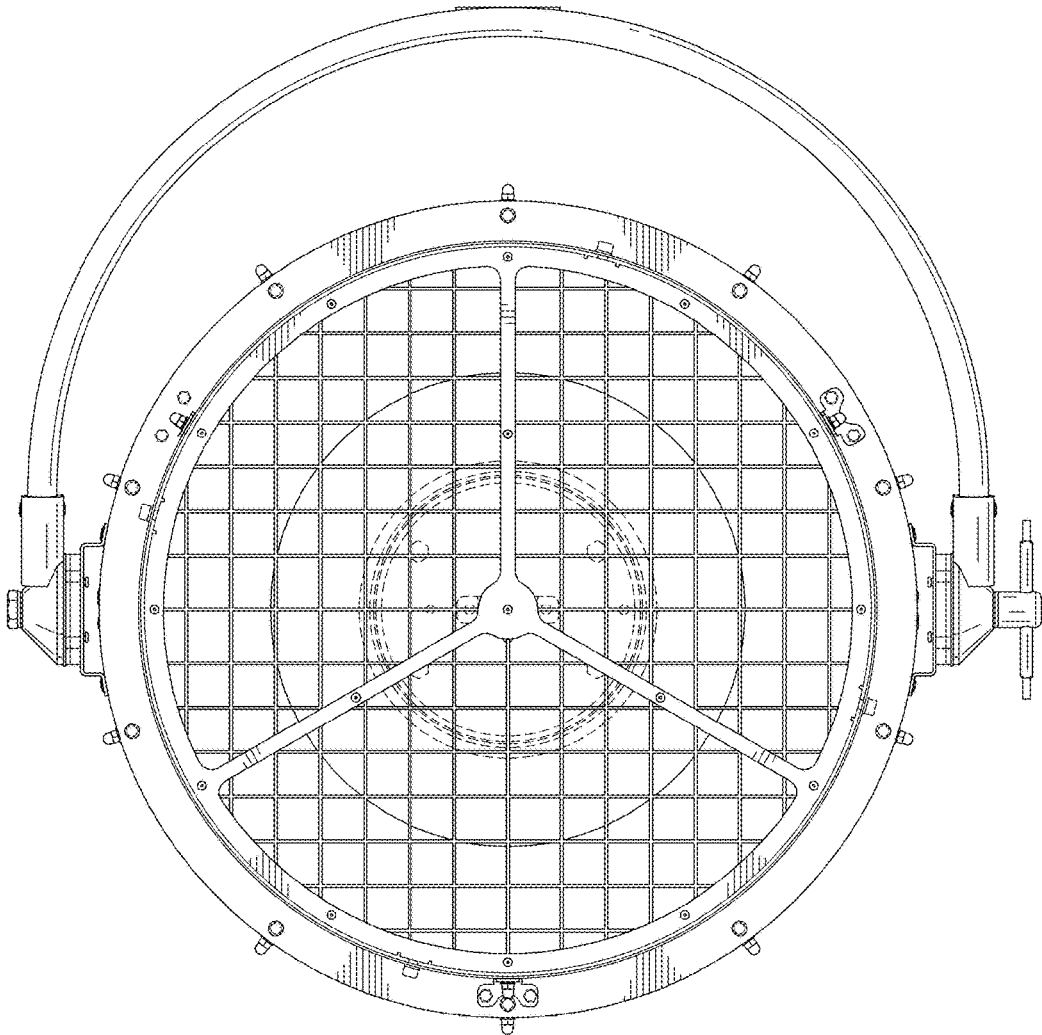


FIG. 1

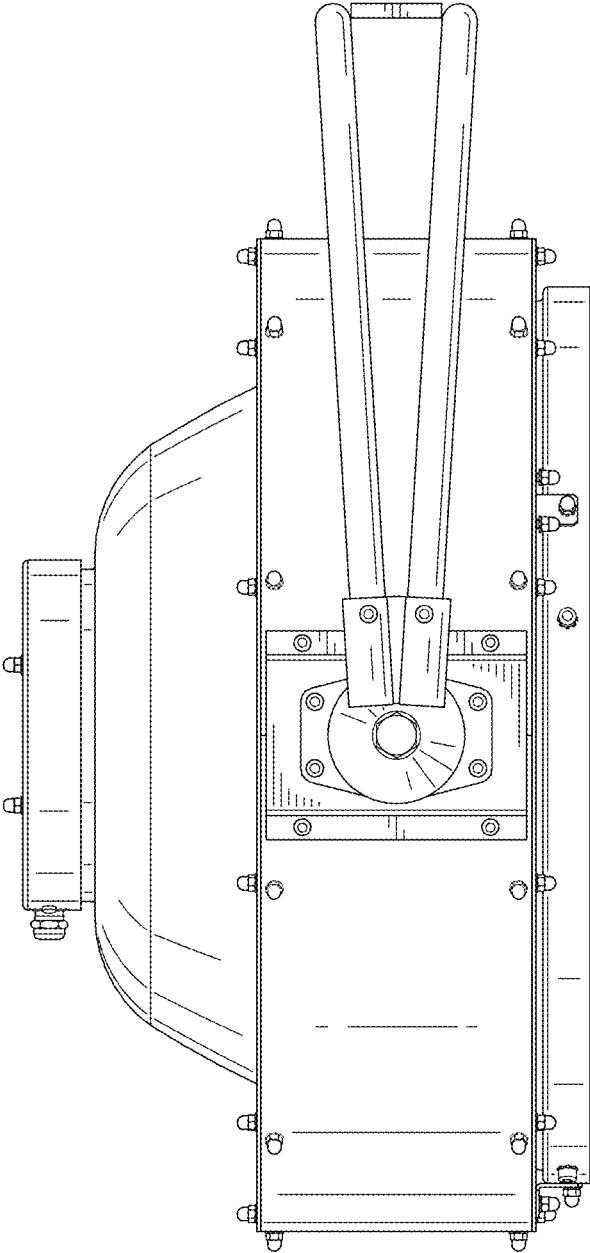


FIG. 2

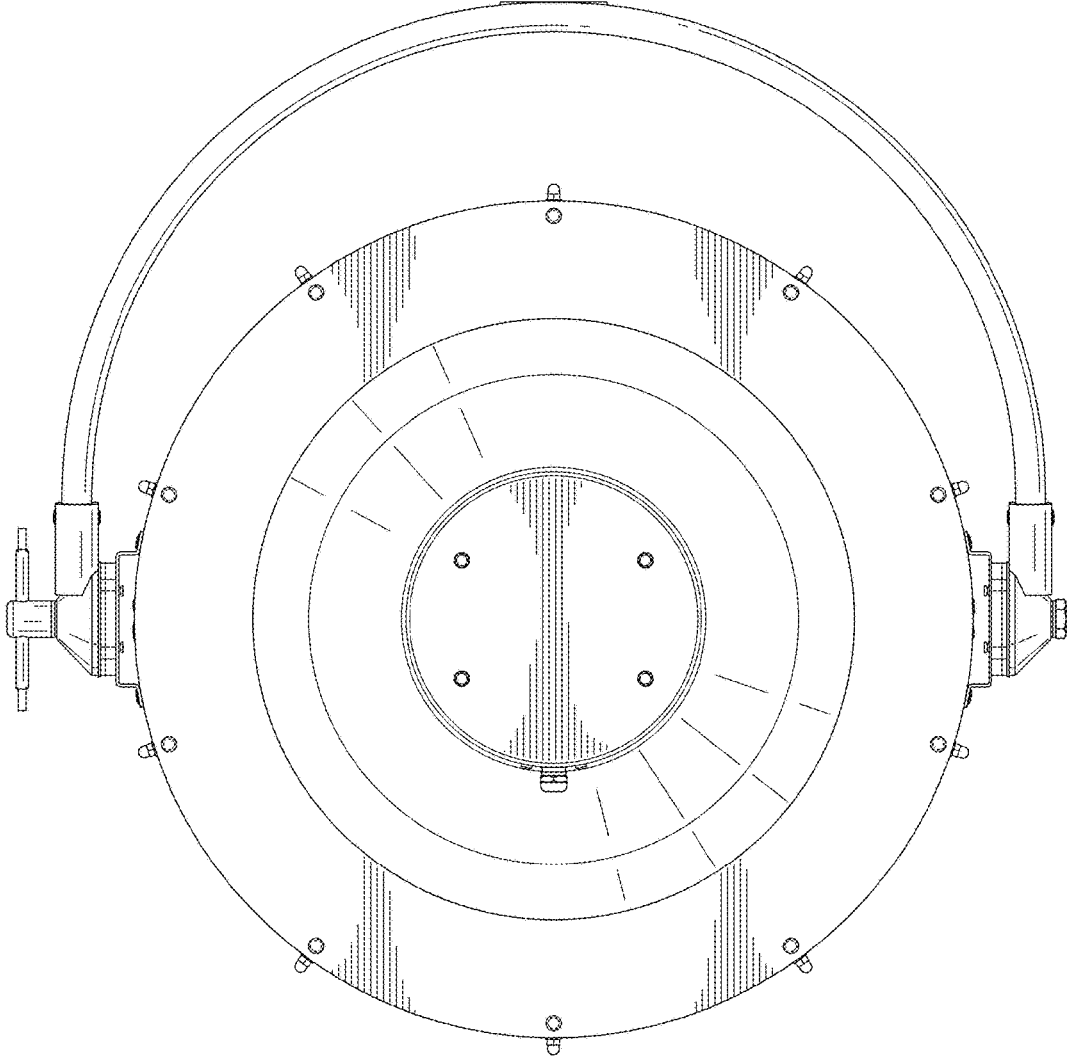


FIG. 3

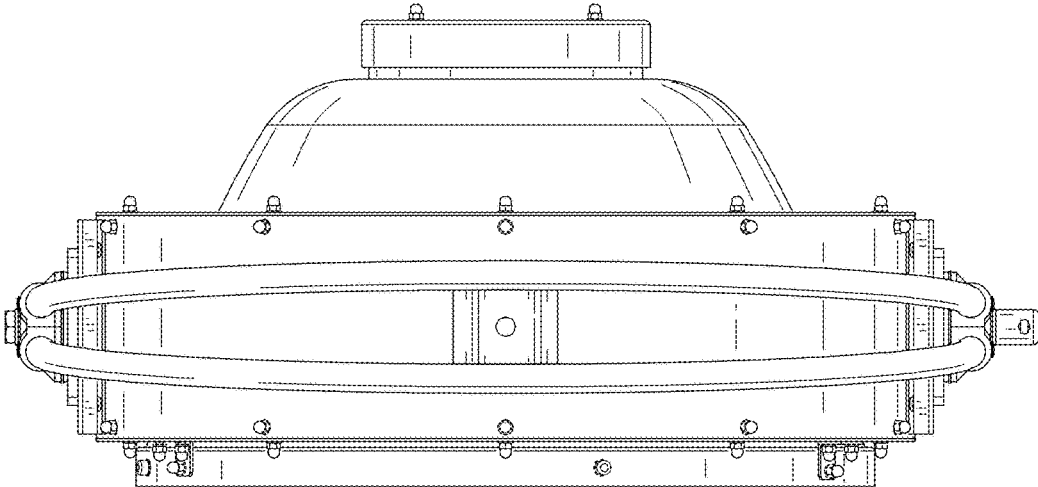


FIG. 4

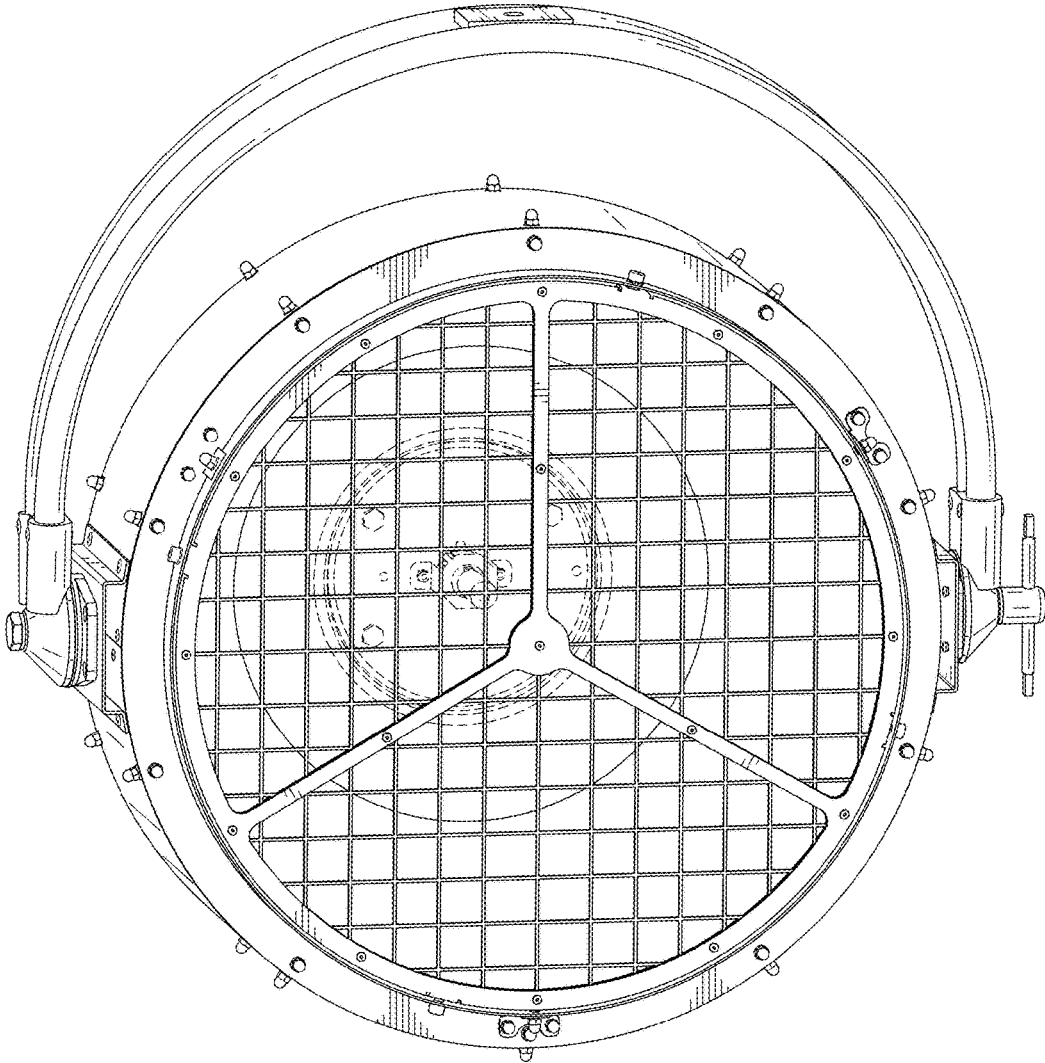


FIG. 5

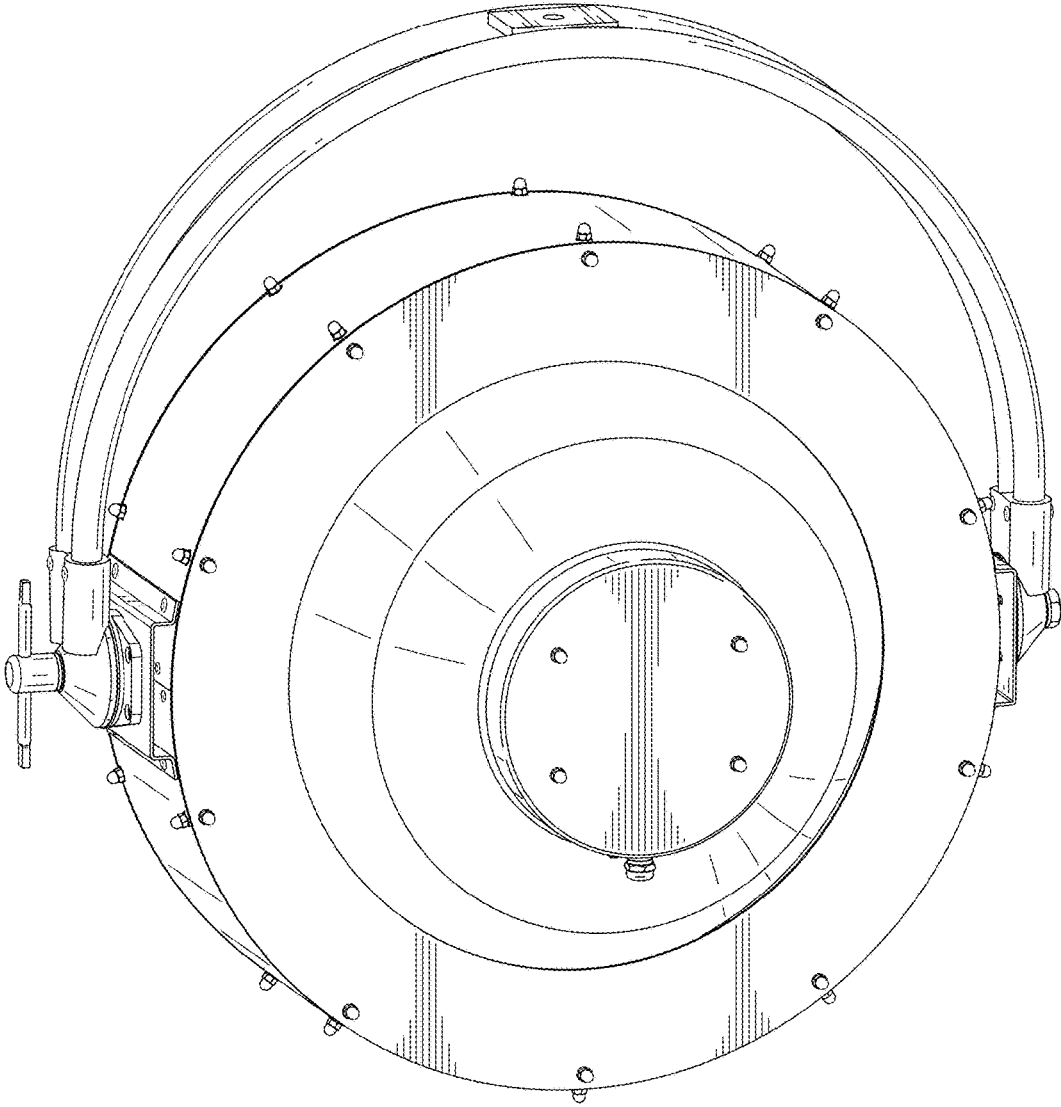


FIG. 6