



US00D808069S

(12) **United States Design Patent**
Kjaergaard Toft et al.

(10) **Patent No.:** **US D808,069 S**
(45) **Date of Patent:** **** Jan. 16, 2018**

(54) **STAGE LIGHTING**
(71) Applicant: **Martin Professional ApS**, Aarhus N (DK)
(72) Inventors: **Uffe Kjaergaard Toft**, Højbjerg (DK);
Jes Vestergaard, Brabrand (DK)
(73) Assignee: **Martin Professional ApS**, Aarhus N (DK)
(**) Term: **15 Years**
(21) Appl. No.: **29/554,224**
(22) Filed: **Feb. 9, 2016**

D438,667 S * 3/2001 Leen D26/113
6,283,617 B1 * 9/2001 Stekelenburg F21S 8/033
248/126
6,921,185 B2 * 7/2005 Monroe F21L 14/026
362/207
D590,087 S * 4/2009 Manscher D26/72
D595,896 S * 7/2009 Boyer D26/152
D602,624 S * 10/2009 Kawaguchi D26/74
D606,228 S * 12/2009 Ward D26/74
D632,821 S 2/2011 Culbert
D633,243 S * 2/2011 Call D26/72
D646,831 S * 10/2011 Pan D26/74
D647,240 S * 10/2011 Beghelli D26/74
D652,559 S 1/2012 Beghelli
D661,008 S 5/2012 Yuan
D679,440 S 4/2013 Smith
D679,853 S * 4/2013 Chiou D26/63
D708,778 S 7/2014 Sibitzky et al.
D743,095 S * 11/2015 Cohen D26/152

(Continued)

(30) **Foreign Application Priority Data**

Oct. 12, 2015 (EM) 002819375

(51) **LOC (11) Cl.** **26-05**

(52) **U.S. Cl.**
USPC **D26/152**

(58) **Field of Classification Search**
USPC D26/76, 78, 79, 80, 81, 82, 83, 85, 86,
D26/88, 90, 113, 118, 119, 120, 121, 122,
D26/138, 139, 140, 141, 142, 152;
D12/193

CPC F21S 2/00; F21S 4/00; F21S 4/003; F21S
4/005; F21S 4/006; F21S 4/007; F21S
4/008; F21S 6/00; F21S 8/00; F21S
8/024; F21S 8/026; F21S 8/031; F21S
8/033; F21S 8/035-8/037; F21S 8/04;
F21S 8/043; F21S 8/063

See application file for complete search history.

(56) **References Cited**

U.S. PATENT DOCUMENTS

D244,771 S * 6/1977 Bott D12/193
D271,011 S * 10/1983 Bott D12/193

Primary Examiner — George D. Kirschbaum

Assistant Examiner — Natasha Vujcic

(74) *Attorney, Agent, or Firm* — Plumsea Law Group,
LLC

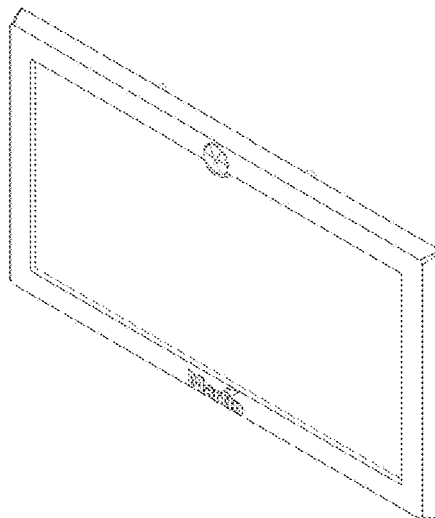
(57) **CLAIM**

The ornamental design for stage lighting, as shown and described.

DESCRIPTION

FIG. 1 is a perspective view of stage lighting showing our new design;
FIG. 2 is a front elevational view thereof;
FIG. 3 is a side elevational view of one side thereof;
FIG. 4 is a top plan view thereof;
FIG. 5 is a side elevational view of the opposite side thereof;
FIG. 6 is a bottom plan view thereof; and,
FIG. 7 is a perspective view thereof shown with the remainder of the stage lighting in broken lines.
The broken line showing forms no part of the claimed design.

1 Claim, 3 Drawing Sheets



(56)

References Cited

U.S. PATENT DOCUMENTS

D775,403 S * 12/2016 Adams D26/118
D775,404 S 12/2016 Adams et al.

* cited by examiner

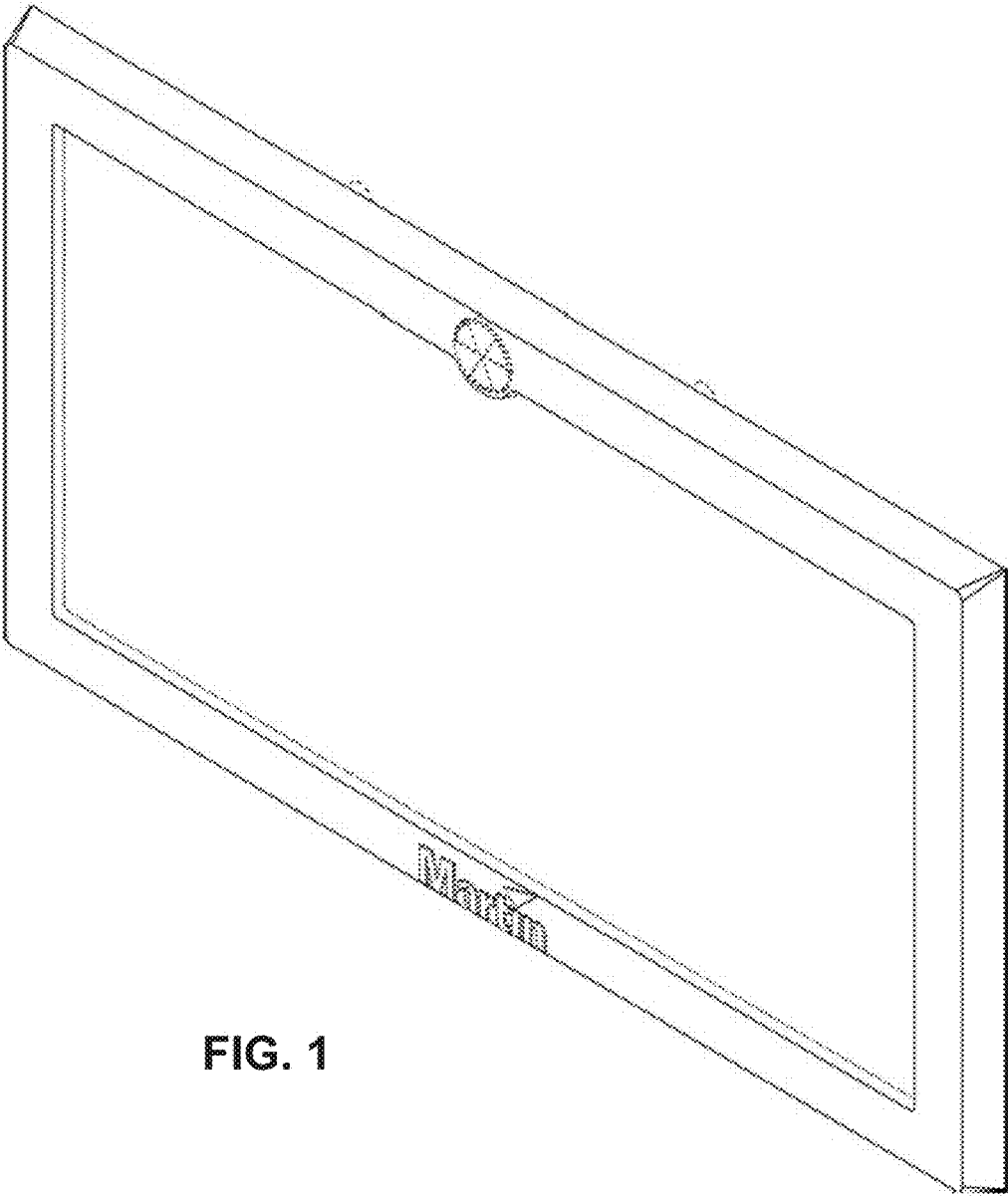


FIG. 1

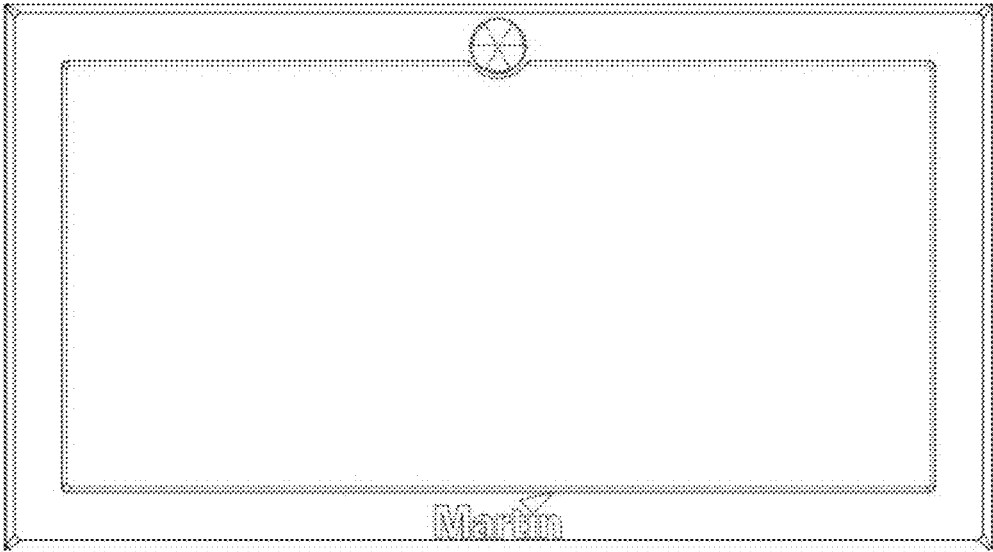


FIG. 2

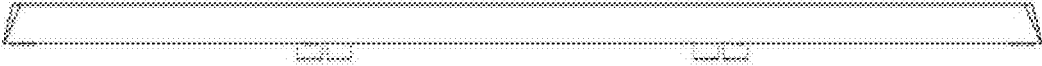


FIG. 4

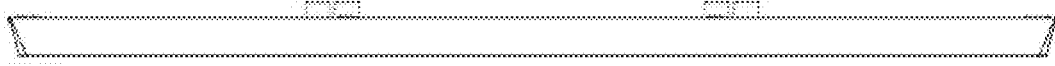


FIG. 6

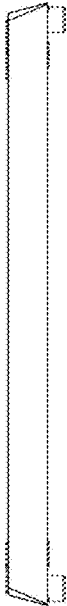


FIG. 3



FIG. 5

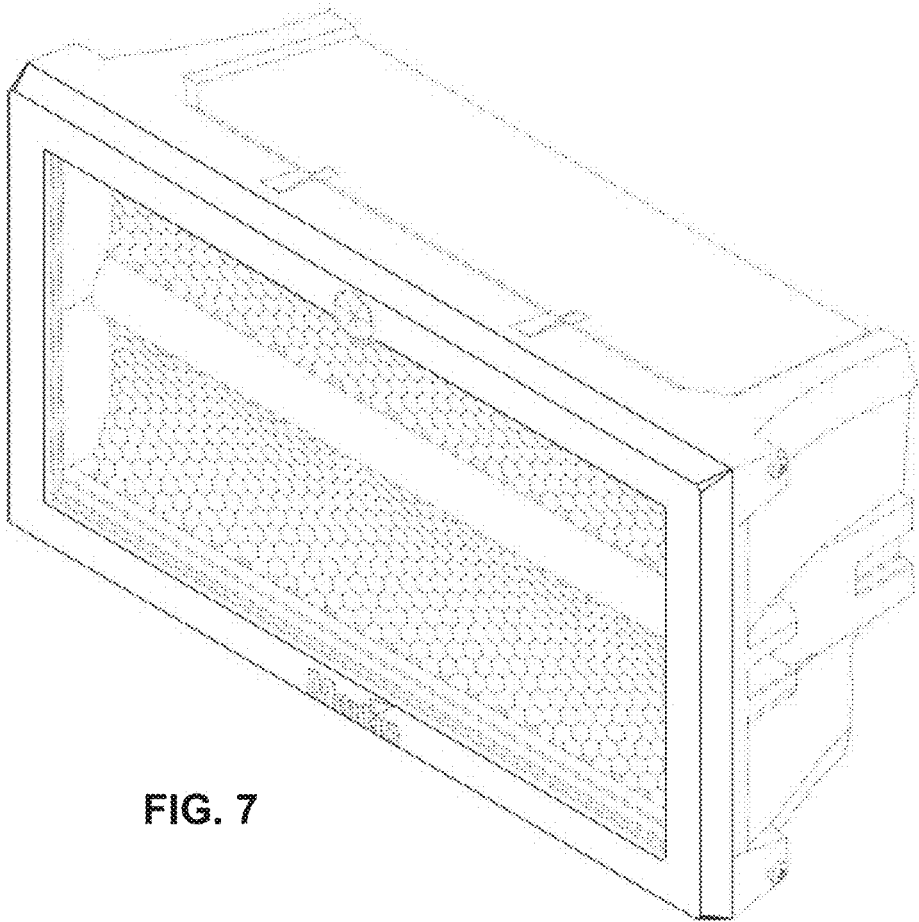


FIG. 7