



US00D791718S

(12) **United States Design Patent**
Conti

(10) **Patent No.:** **US D791,718 S**

(45) **Date of Patent:** **** Jul. 11, 2017**

(54) **CONTROLLER FOR A LIGHTING DEVICE**

(71) Applicant: **Production Resource Group, LLC,**
New Windsor, NY (US)

(72) Inventor: **Christopher Conti,** Rutherford, NJ
(US)

(73) Assignee: **Production Resource Group, LLC,**
New Windsor, NY (US)

(**) Term: **15 Years**

(21) Appl. No.: **29/543,457**

(22) Filed: **Oct. 23, 2015**

(51) **LOC (10) Cl.** **13-03**

(52) **U.S. Cl.**
USPC **D13/163**

(58) **Field of Classification Search**
USPC D13/158, 162, 163; D16/214; D14/217,
D14/307
CPC H05B 33/0803; H05B 33/0806; H05B 37/02;
H05B 37/029; H05B 37/0254; H05B
37/0272; H05B 39/02; H05B 39/04;
H05B 39/085; H05B 39/086; H05B
39/088; G03B 15/02; G03B 15/03; F21V
23/04

See application file for complete search history.

(56) **References Cited**

U.S. PATENT DOCUMENTS

D388,055	S	*	12/1997	Mariotta	D10/103
D399,493	S	*	10/1998	Nakajima	D10/75
D442,560	S	*	5/2001	Price	D13/163
D541,267	S	*	4/2007	Sagen	D14/307
D661,291	S	*	6/2012	Renukanand	D14/307
8,773,364	B2	*	7/2014	Adenau	H05B 37/029 345/173

9,097,957	B2	*	8/2015	Pohlert	G03B 15/02
9,491,344	B2	*	11/2016	Takabatake	H04N 5/2256
2005/0083704	A1	*	4/2005	Pohlert	F21K 9/65 362/494
2005/0259409	A1	*	11/2005	Pohlert	F21K 9/65 362/3
2007/0103447	A1	*	5/2007	Varian	G06F 3/0219 345/173
2008/0012849	A1	*	1/2008	Snyder	G06F 3/0238 345/418

* cited by examiner

Primary Examiner — Selina Sikder

(74) *Attorney, Agent, or Firm* — Law Office of Scott C
Harris, Inc

(57) **CLAIM**

I claim the ornamental design for a controller for a lighting
device, as shown and described.

DESCRIPTION

FIG. 1 is a side perspective view of the controller for a
lighting device;

FIG. 2 is a front view of the controller for a lighting
device;

FIG. 3 shows a rear view of the controller for a lighting
device;

FIG. 4 shows a side view of the controller for a lighting
device from a first side;

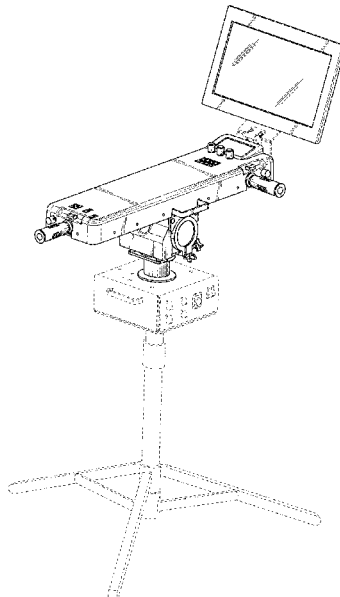
FIG. 5 shows a side view of the controller for a lighting
device from a second side;

FIG. 6 shows a top view of the controller for a lighting
device; and,

FIG. 7 shows a bottom view of the controller for a lighting
device.

The portions of the controller shown in broken lines form no
part of the claimed design.

1 Claim, 6 Drawing Sheets



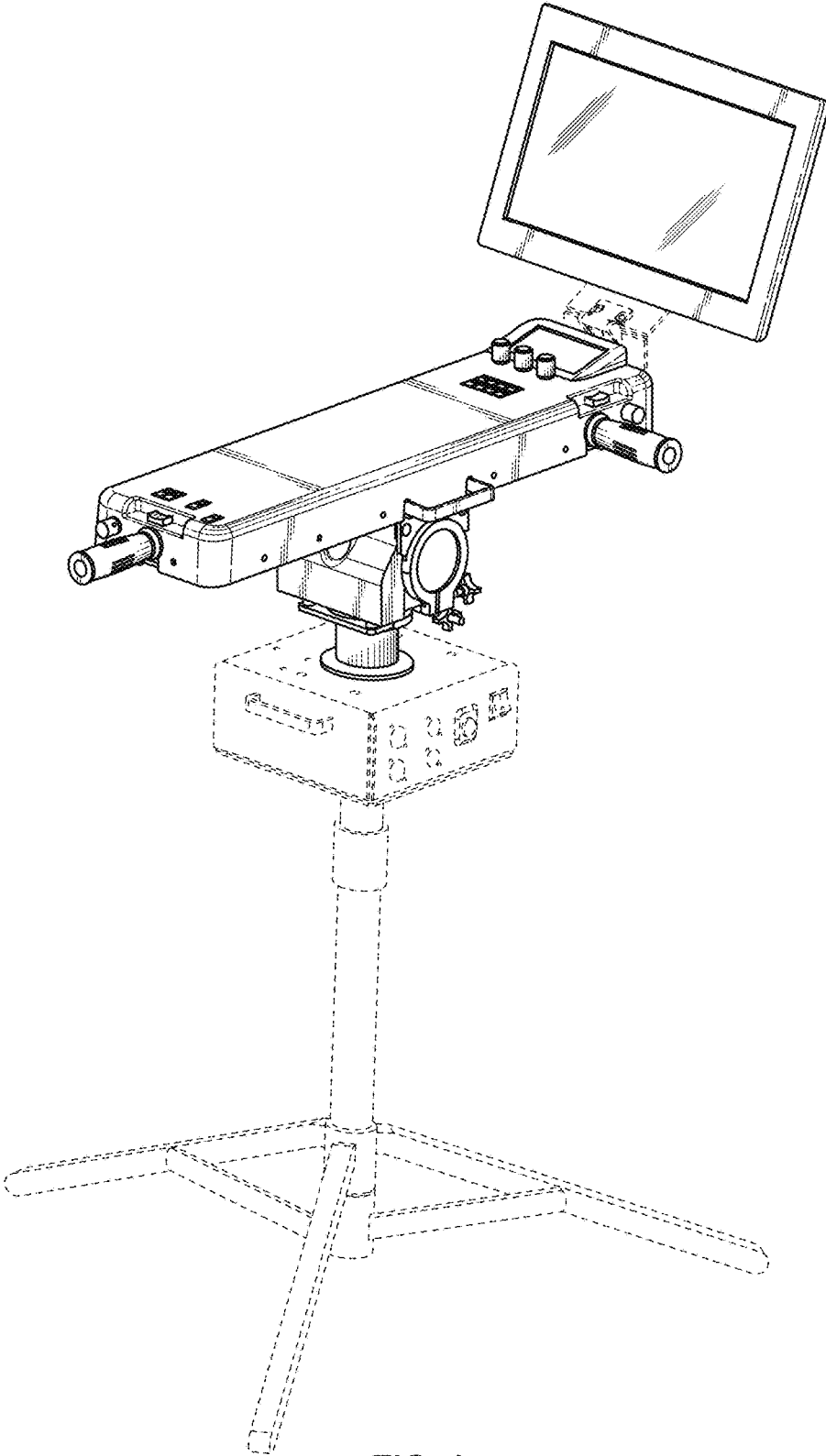


FIG. 1

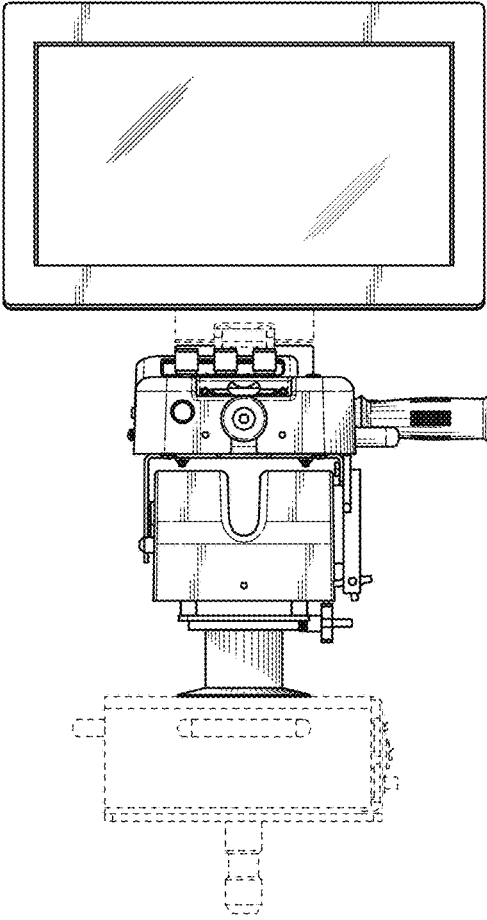


FIG. 2

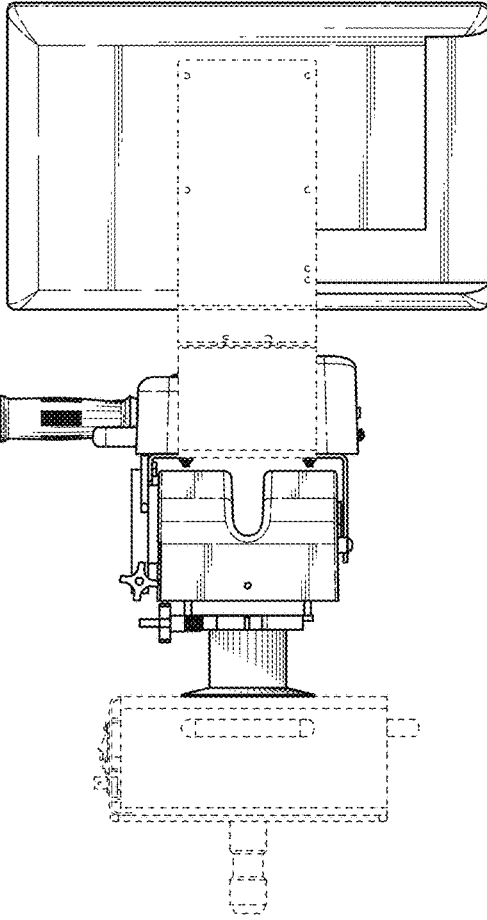


FIG. 3

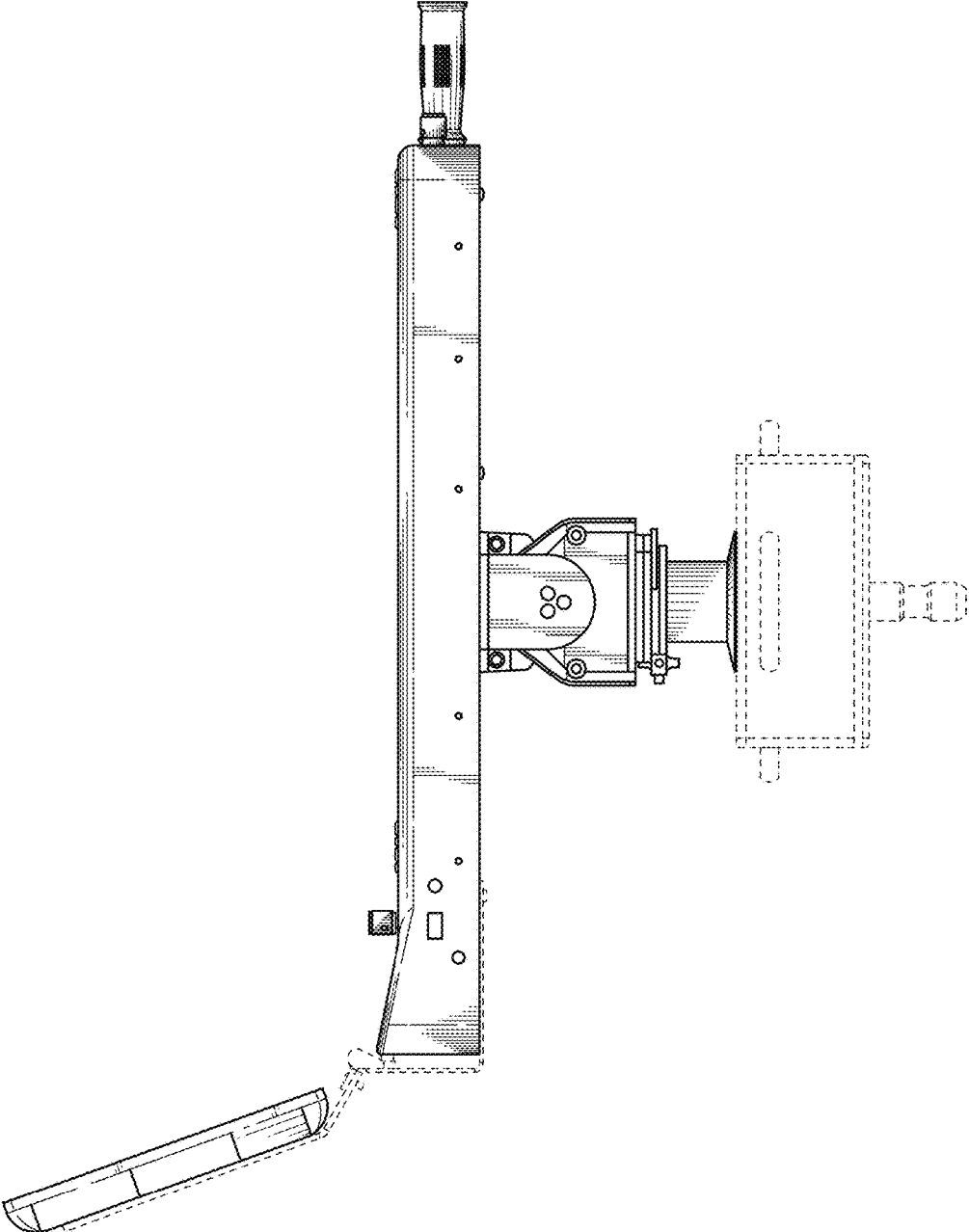


FIG. 4

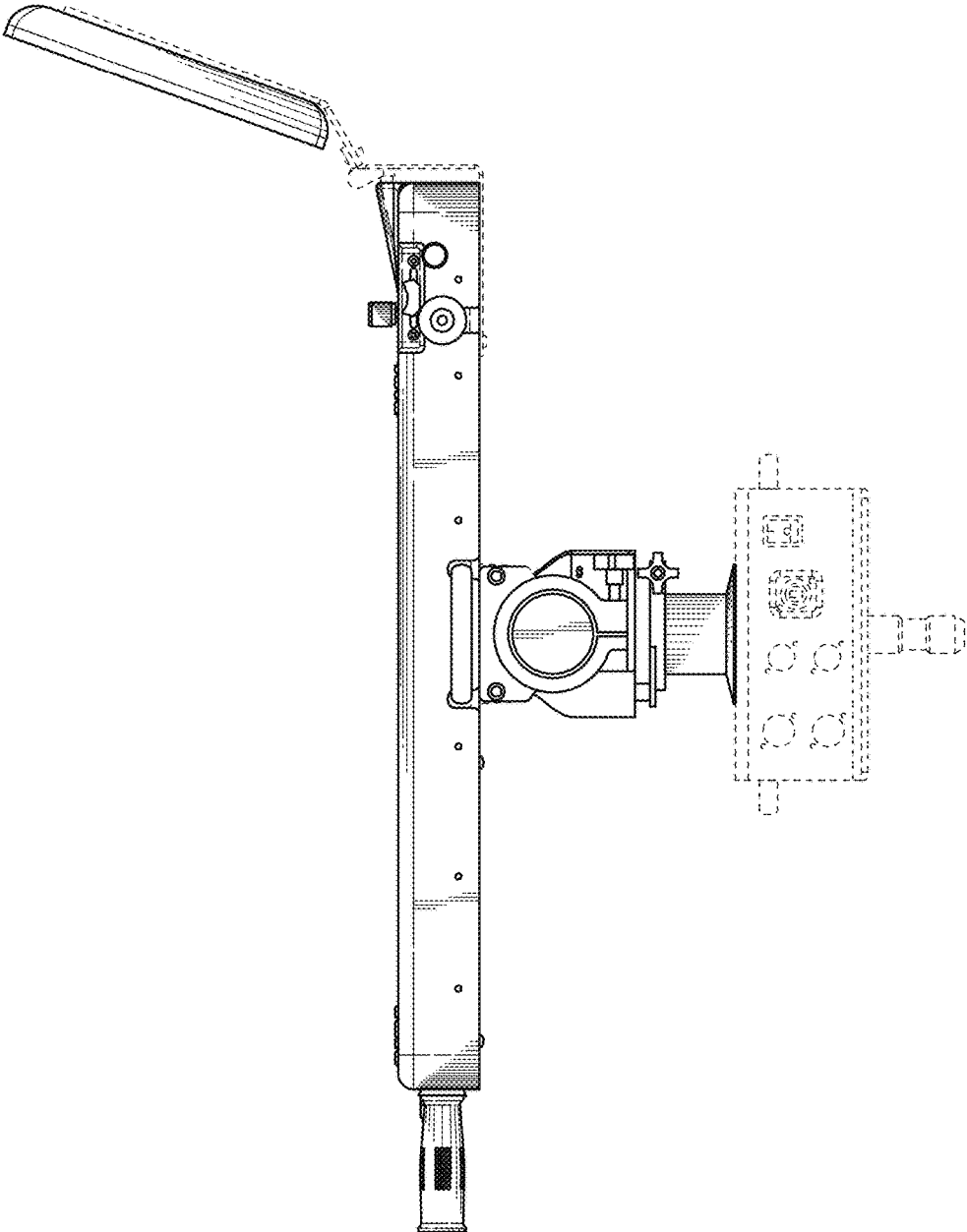


FIG. 5

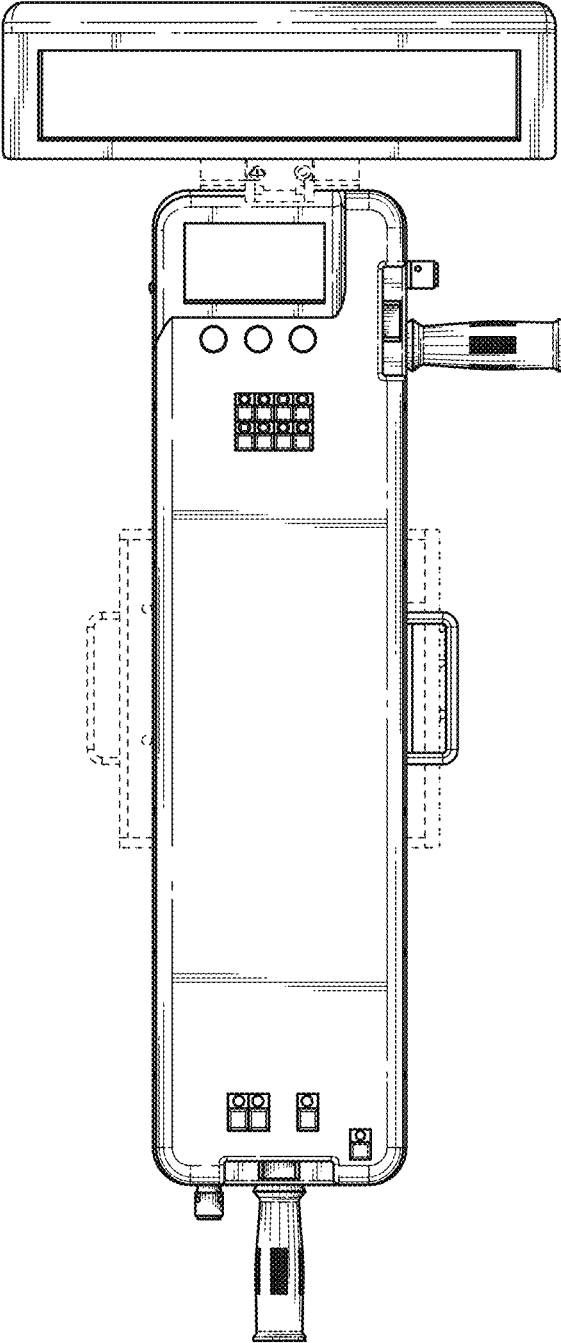


FIG. 6

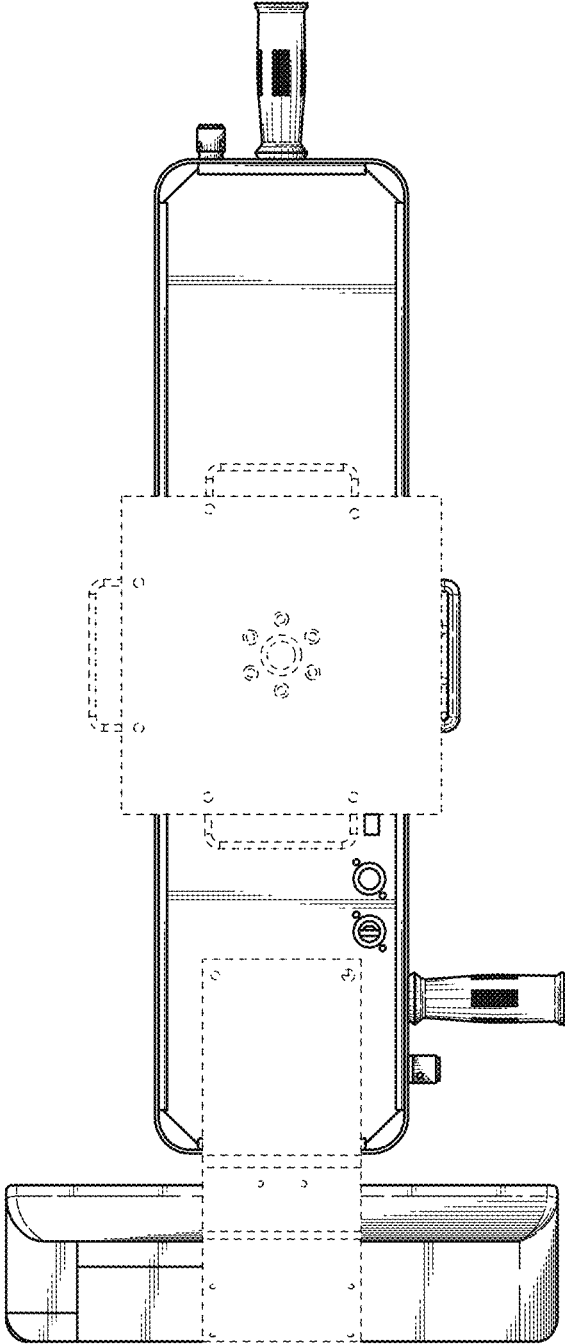


FIG. 7