



US00D773708S

(12) **United States Design Patent**
Kliegl et al.

(10) **Patent No.:** **US D773,708 S**

(45) **Date of Patent:** **** Dec. 6, 2016**

(54) **LIGHTING DEVICE**

(56) **References Cited**

(71) Applicant: **Production Resource Group, LLC**,
New Windsor, NY (US)

(72) Inventors: **Robert Kliegl**, Putnam Valley, NH
(US); **Bruce McFarLane**, Wallkill, NY
(US); **Gary Leonard**, Wappingers Fall,
NY (US); **Russell Mahaffey**, Highland
Village, TX (US); **Ted Samuelson**,
Flower Mound, TX (US)

(73) Assignee: **Production Resource Group, LLC**,
New Windsor, NY (US)

U.S. PATENT DOCUMENTS

3,725,695	A	*	4/1973	Eversberg et al.	D26/63
D287,413	S	*	12/1986	Kusmer et al.	D26/65
D418,618	S	*	1/2000	Shuenn-Fa	D26/65
D510,636	S	*	10/2005	Yamamoto	D26/28
D624,224	S	*	9/2010	Guercio et al.	D26/61
D663,877	S	*	7/2012	Quevy et al.	D26/63

* cited by examiner

Primary Examiner — Brian N Vinson
(74) *Attorney, Agent, or Firm* — Law Office of Scott C
Harris, Inc

(**) Term: **14 Years**

(57) **CLAIM**
We claim the ornamental design for a lighting device, as
shown and described.

(21) Appl. No.: **29/509,536**

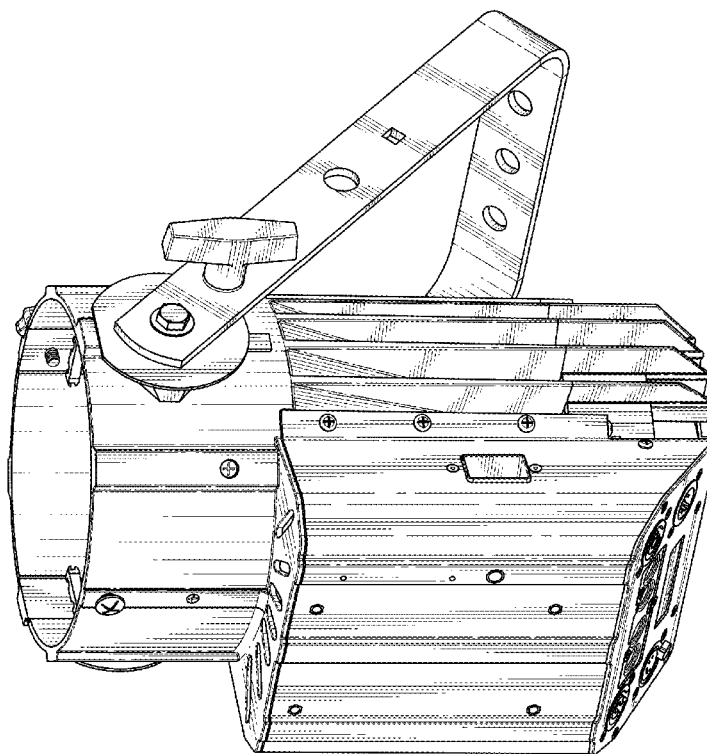
DESCRIPTION

(22) Filed: **Nov. 18, 2014**
(51) **LOC (10) Cl.** **26-03**
(52) **U.S. Cl.**
USPC **D26/63**
(58) **Field of Classification Search**
USPC D26/1, 24, 61, 63, 65, 85, 92
CPC F21V 21/14; F21V 15/01; F21V 14/02;
F21V 21/30; F21V 21/00; F21V 14/00;
F21S 8/00; F21S 8/003; F21S 8/043; F21Y
2105/001

FIG. 1 is a side perspective view of the lighting device;
FIG. 2 is a bottom view of the lighting device;
FIG. 3 shows a top view of the lighting device;
FIG. 4 shows a side view of the lighting device from a first
side;
FIG. 5 shows a side view of the lighting device from a
second side;
FIG. 6 shows a front-on view of the lighting device; and,
FIG. 7 shows a rear-on view of the lighting device.
The broken line disclosure represents portions of the lighting
device which form no part of the claimed design.

See application file for complete search history.

1 Claim, 7 Drawing Sheets



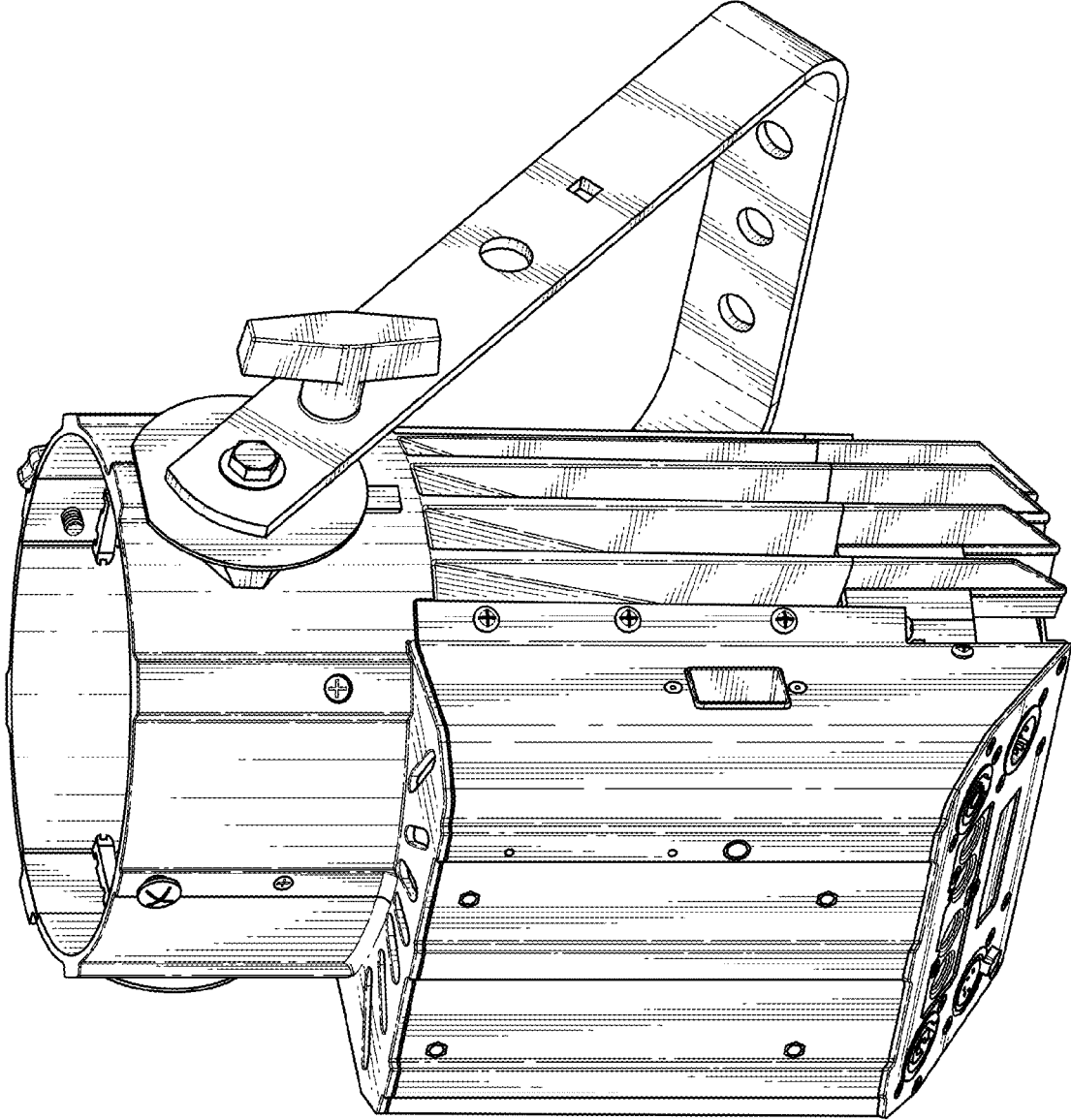


FIG. 1

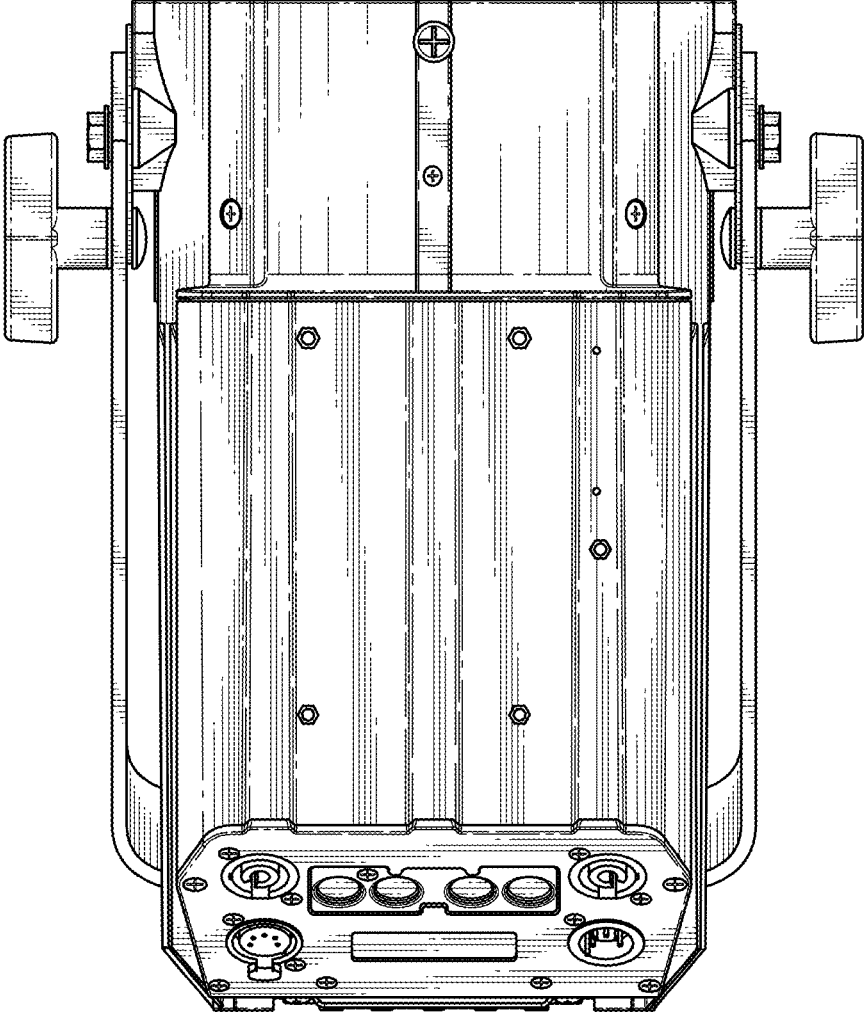


FIG. 2

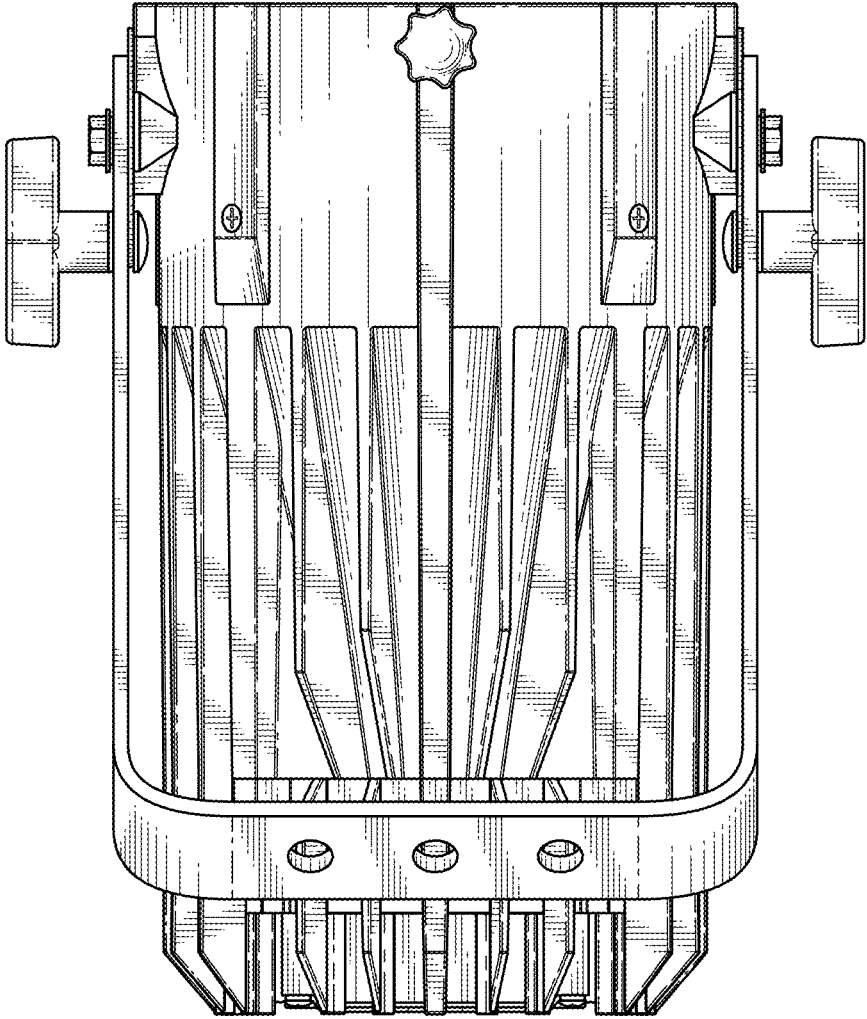


FIG. 3

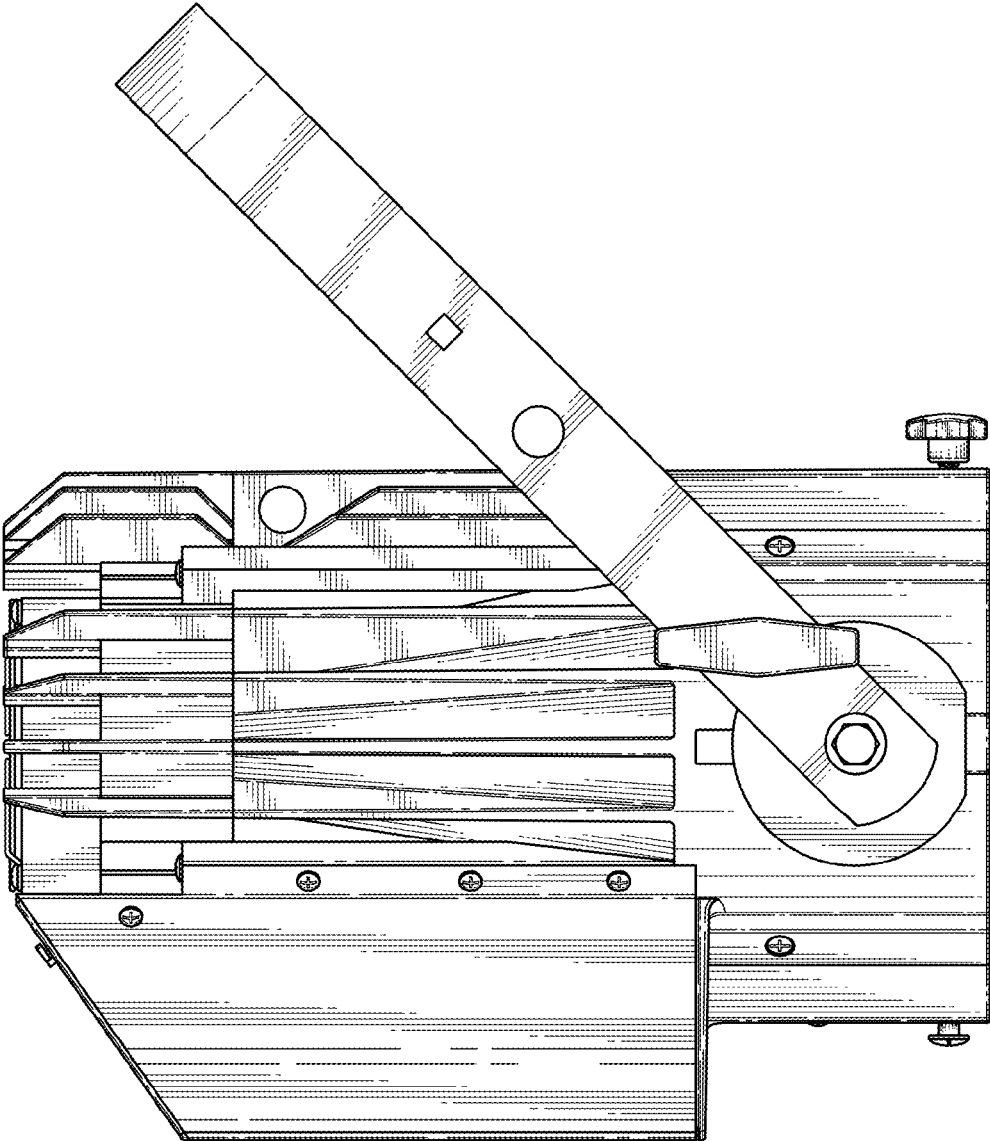


FIG. 4

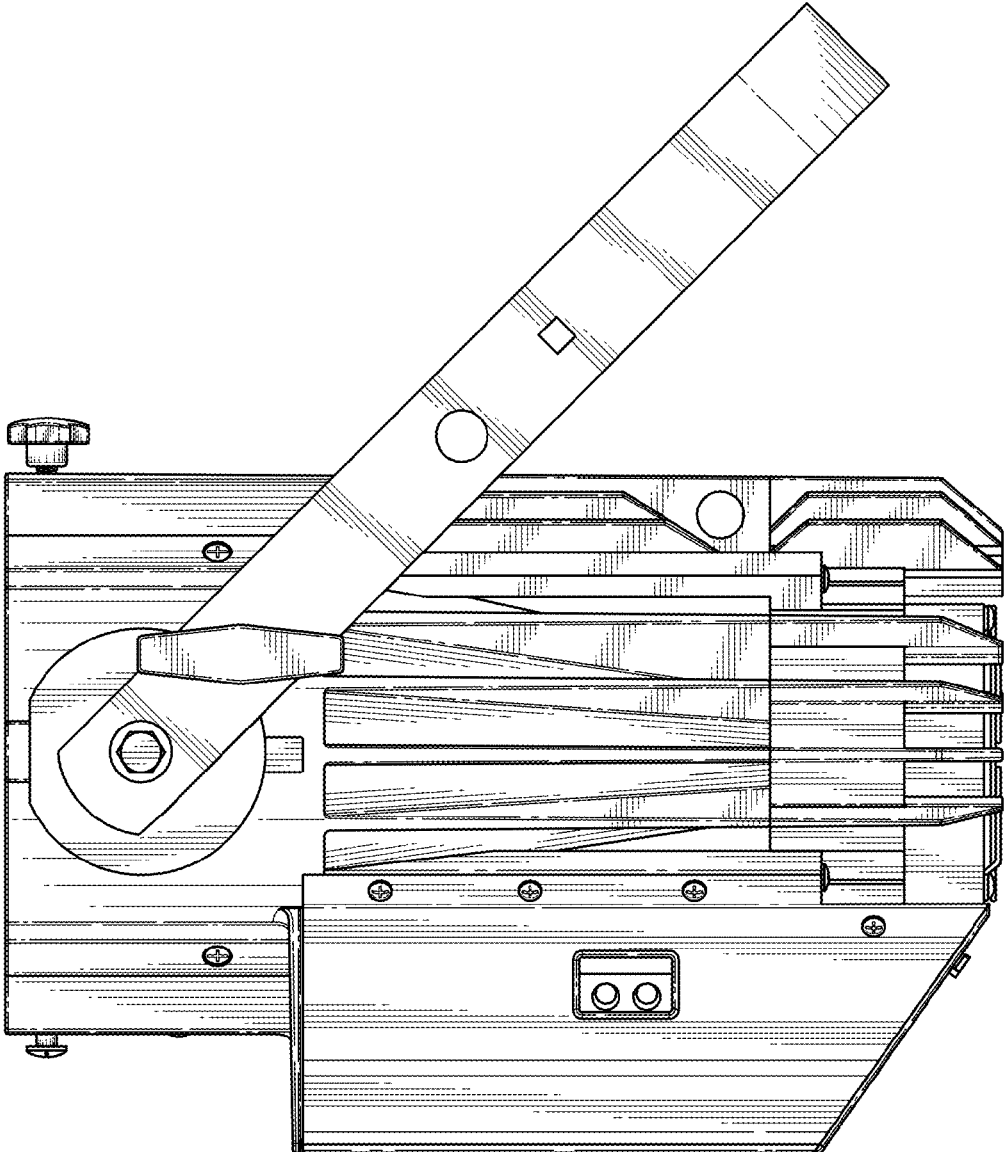


FIG. 5

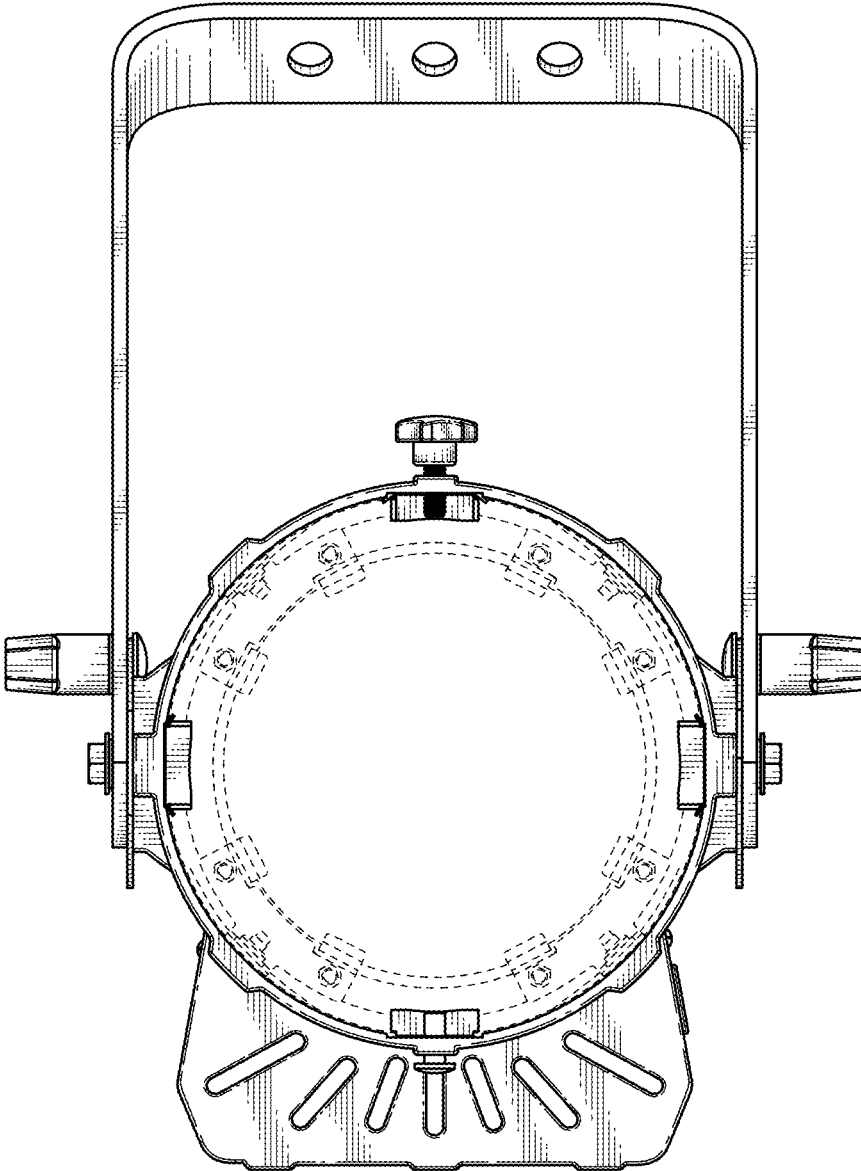


FIG. 6

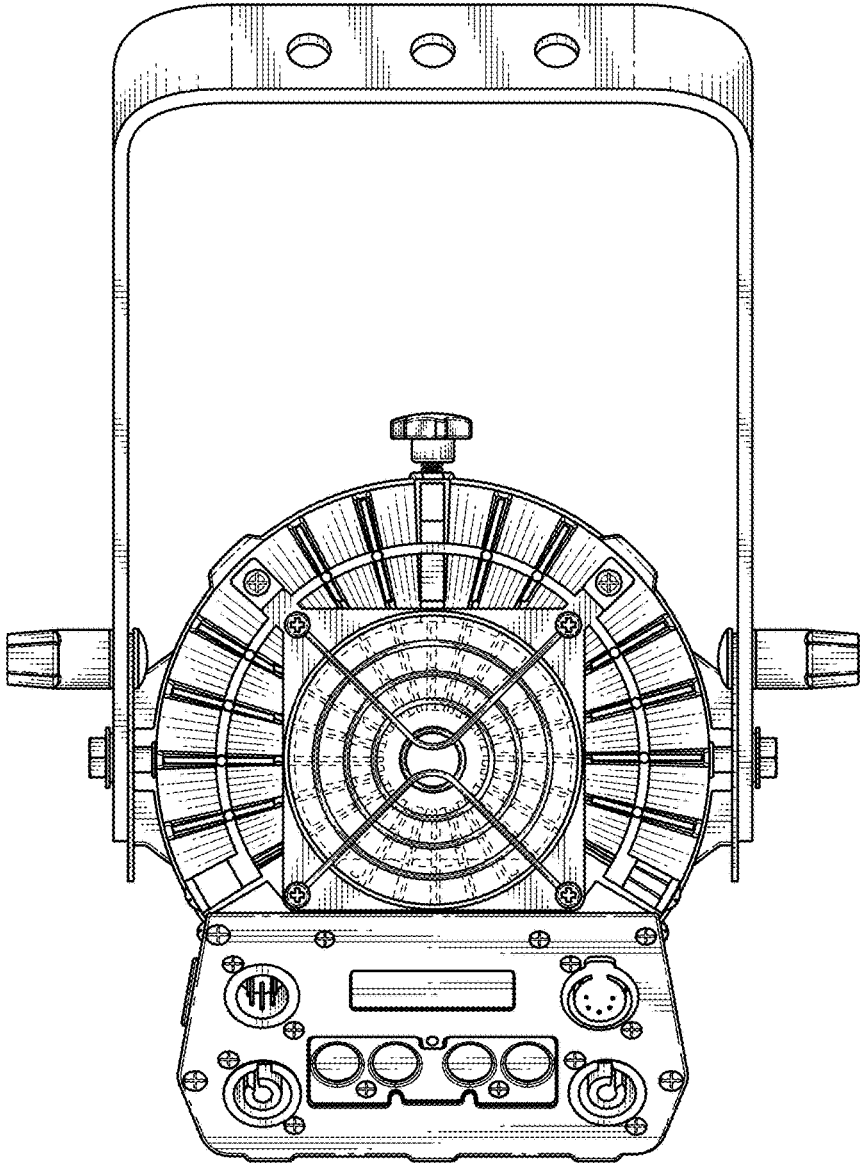


FIG. 7