



US00D751750S

(12) **United States Design Patent**
Kjaergaard Toft

(10) **Patent No.:** **US D751,750 S**

(45) **Date of Patent:** **** Mar. 15, 2016**

(54) **LIGHT HOUSING**

(71) Applicant: **Martin Professional ApS, Aarhus N (DK)**

(72) Inventor: **Uffe Kjaergaard Toft, Højbjerg (DK)**

(73) Assignee: **Martin Professional ApS, Aarhus N (DK)**

(**) Term: **14 Years**

(21) Appl. No.: **29/501,979**

(22) Filed: **Sep. 10, 2014**

(30) **Foreign Application Priority Data**

Mar. 11, 2014 (EM) 002422204

(51) **LOC (10) Cl.** **26-99**

(52) **U.S. Cl.**
USPC **D26/113**

(58) **Field of Classification Search**

USPC D10/18, 21, 24, 25, 27, 28, 46, 93, 104,
D10/106, 113, 116.1, 121; D26/72, 118,
D26/120, 124, 138, 2, 89, 142
CPC A63H 30/04; G05G 2009/04748;
H04B 1/1027; F21S 8/04; F21S 2/005;
F21S 2/00; B29D 21/04; F21V 15/015;
F21V 27/00; F21V 21/14; F21V 21/005;
F21Y 2103/00; F41C 27/00; F41C 33/0254
See application file for complete search history.

(56) **References Cited**

U.S. PATENT DOCUMENTS

5,176,442 A * 1/1993 Richardson H05B 39/00
362/269
D450,111 S * 11/2001 Stanley D23/364
D484,638 S * 12/2003 Pallo D26/142
D493,905 S * 8/2004 Lin D26/63
D494,312 S * 8/2004 Huang D26/142
D542,947 S * 5/2007 Rose D26/24
D583,088 S * 12/2008 Leung D26/63

D591,587 S * 5/2009 Mason D8/354
D605,339 S * 12/2009 Quadri D26/118
D612,532 S * 3/2010 Toft D26/138
D614,344 S * 4/2010 Toft D26/138
D618,377 S * 6/2010 Toft D26/63
D620,187 S * 7/2010 Quadri D26/113
D638,573 S * 5/2011 Toft D26/138
D638,698 S * 5/2011 Sprinkmann D8/397
D639,466 S * 6/2011 Feuerstein D22/120
D639,983 S * 6/2011 Quadri D26/24

(Continued)

OTHER PUBLICATIONS

Sound and Lighting Systems, image post date 2000, site visited Oct. 19, 2015, (online), <http://www.senkronmusic.com/index.php?option=com_virtuemart&Itemid=54&category_id=37&page=shop.browse&limit=25&limitstart=0&vmcchk=1&Itemid=54>.*

Primary Examiner — Kevin Rudzinski

Assistant Examiner — Sean D Lough

(74) *Attorney, Agent, or Firm* — Plumsea Law Group, LLC

(57) **CLAIM**

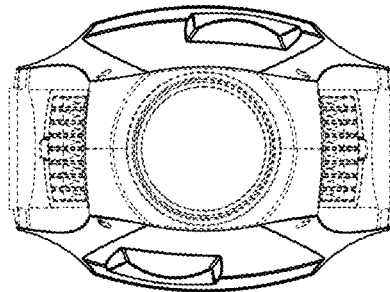
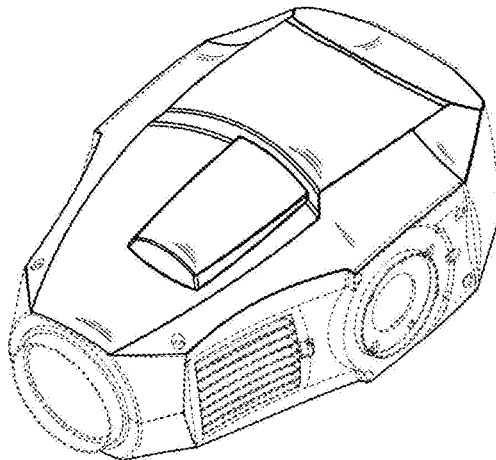
The ornamental design for a light housing, as shown and described.

DESCRIPTION

FIG. 1 is a perspective view of a light housing showing my new design;
FIG. 2 is a front elevational view thereof;
FIG. 3 is a rear elevational view thereof;
FIG. 4 is a top plan view thereof;
FIG. 5 is a bottom plan view thereof;
FIG. 6 is a side elevational view of one side thereof;
FIG. 7 is a side elevational view of the opposite side thereof;
and,
FIG. 8 is a rear perspective view thereof.

The broken lines (where present) in all FIGS. illustrate portions of the light housing that form no part of the claimed design.

1 Claim, 7 Drawing Sheets



(56)

References Cited

U.S. PATENT DOCUMENTS

D647,852 S *	11/2011	Yang	D13/134	D715,988 S *	10/2014	Rosen	D26/113
D652,983 S *	1/2012	Quadri	D26/118	D728,480 S *	5/2015	Chang	D13/134
D682,452 S *	5/2013	Henderson	D26/71	D732,601 S *	6/2015	Coyle	D16/237
D694,450 S *	11/2013	Valeri	D26/63	D737,134 S *	8/2015	Thompson	D8/396
D694,462 S *	11/2013	Kjaergaard	D26/118	D737,163 S *	8/2015	Yamamoto	D10/106.6
D694,802 S *	12/2013	Coyle	D16/237	D738,555 S *	9/2015	Kjaergaard	D26/63
D697,666 S *	1/2014	Grote, Jr.	D26/142	D738,951 S *	9/2015	Coyle	D16/237
D700,385 S *	2/2014	Quadri	D26/63	D740,468 S *	10/2015	Gipaya	D26/28
8,641,234 B2 *	2/2014	Dube	F21S 8/086	2008/0062692 A1 *	3/2008	Andersen	F21S 10/007
				362/240					362/275
D701,279 S *	3/2014	Clark	D22/108	2009/0323364 A1 *	12/2009	Bornhorst	F21V 21/15
D705,846 S *	5/2014	Johnston	D16/237					362/418
D710,050 S *	7/2014	Haws	D26/142	2010/0008080 A1 *	1/2010	Vinther	F21V 21/30
D713,984 S *	9/2014	Auras	D26/67					362/190
D713,986 S *	9/2014	Auras	D26/67	2013/0120984 A1 *	5/2013	Hinrichs	F21V 21/15
									362/235
					2014/0203727 A1 *	7/2014	Hinrichs	H05B 37/0245
									315/292

* cited by examiner

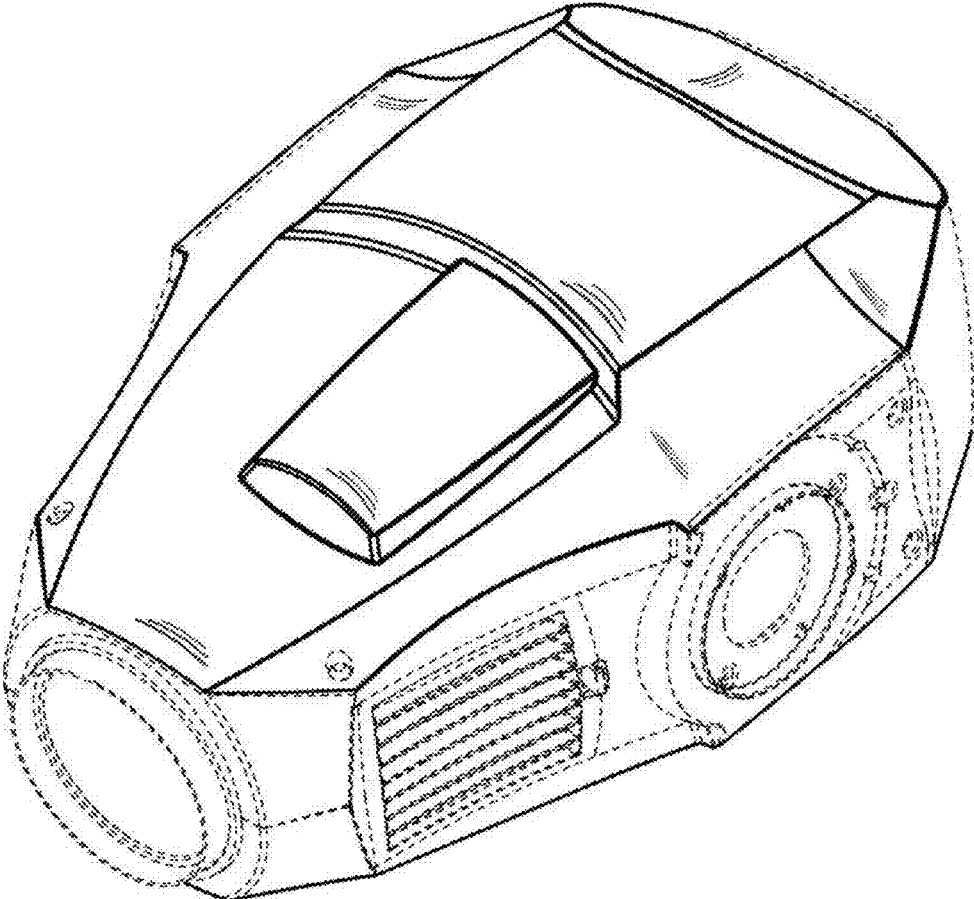


FIG. 1

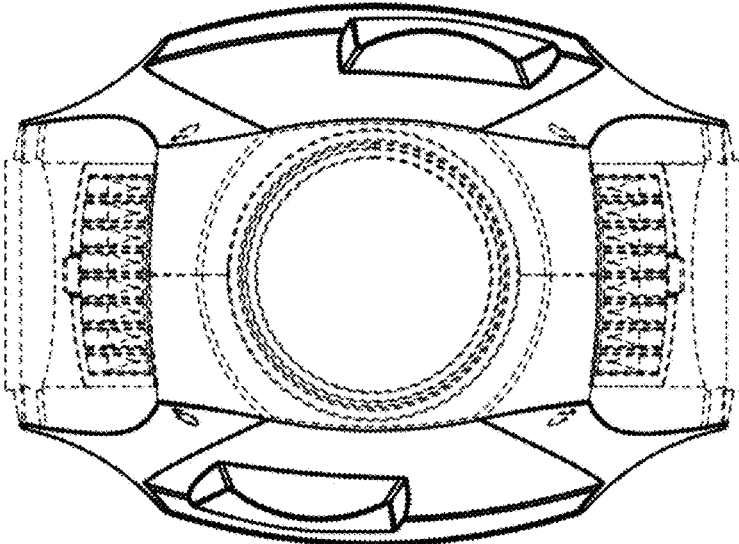


FIG. 2

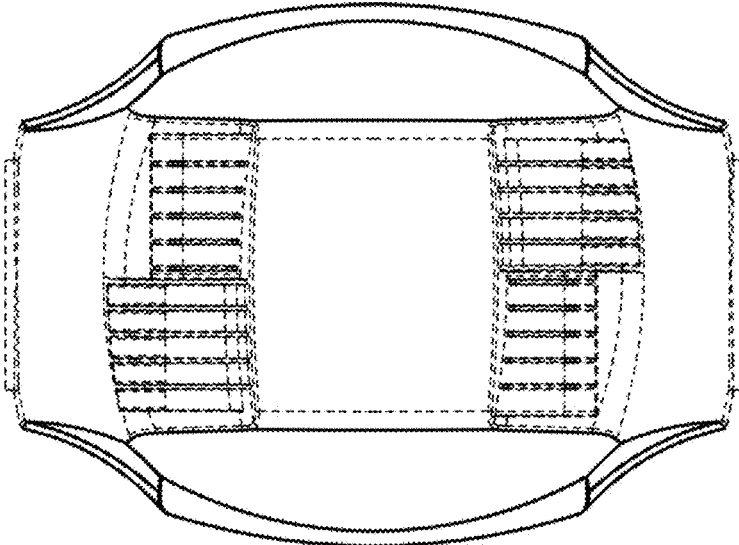


FIG. 3

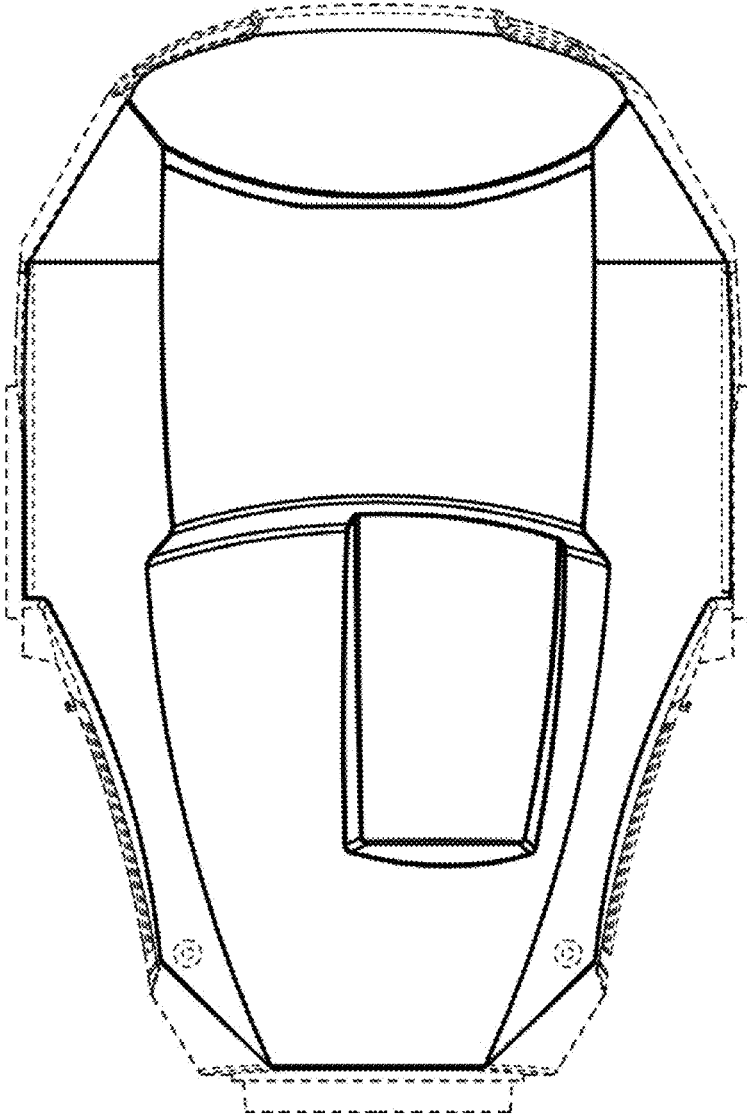


FIG. 4

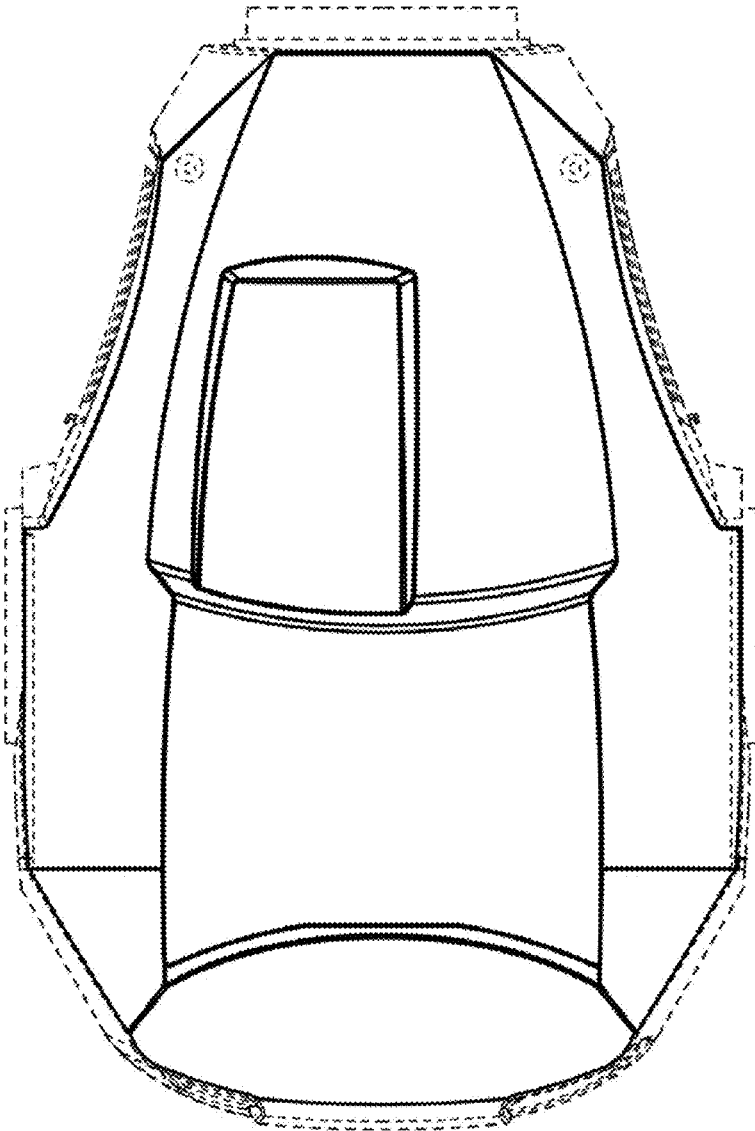


FIG. 5

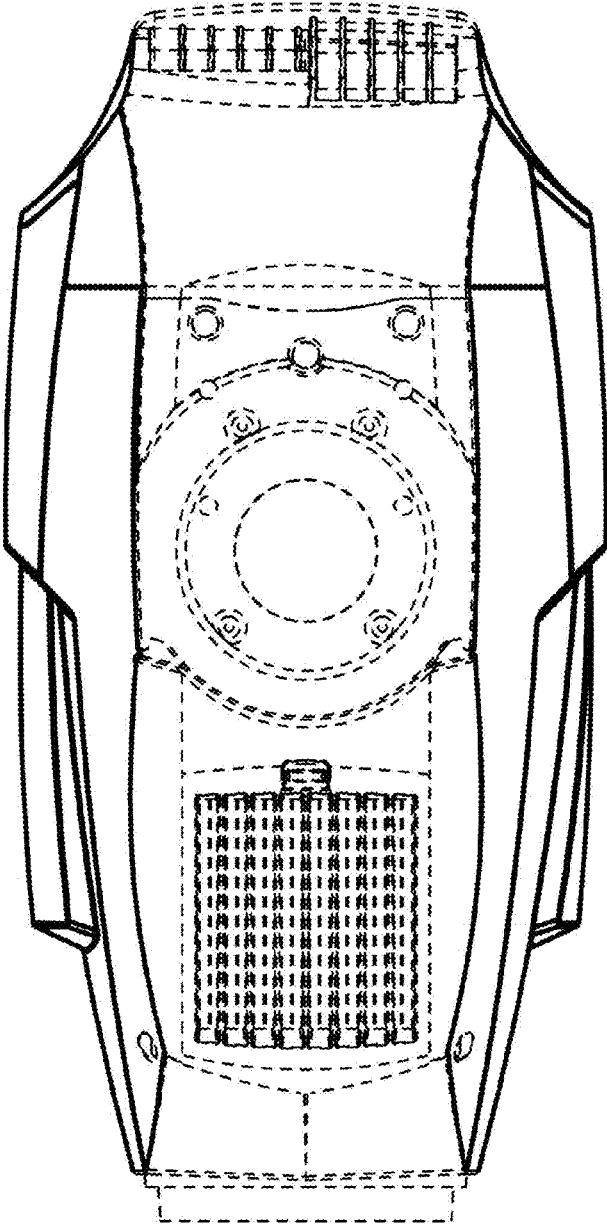


FIG. 6

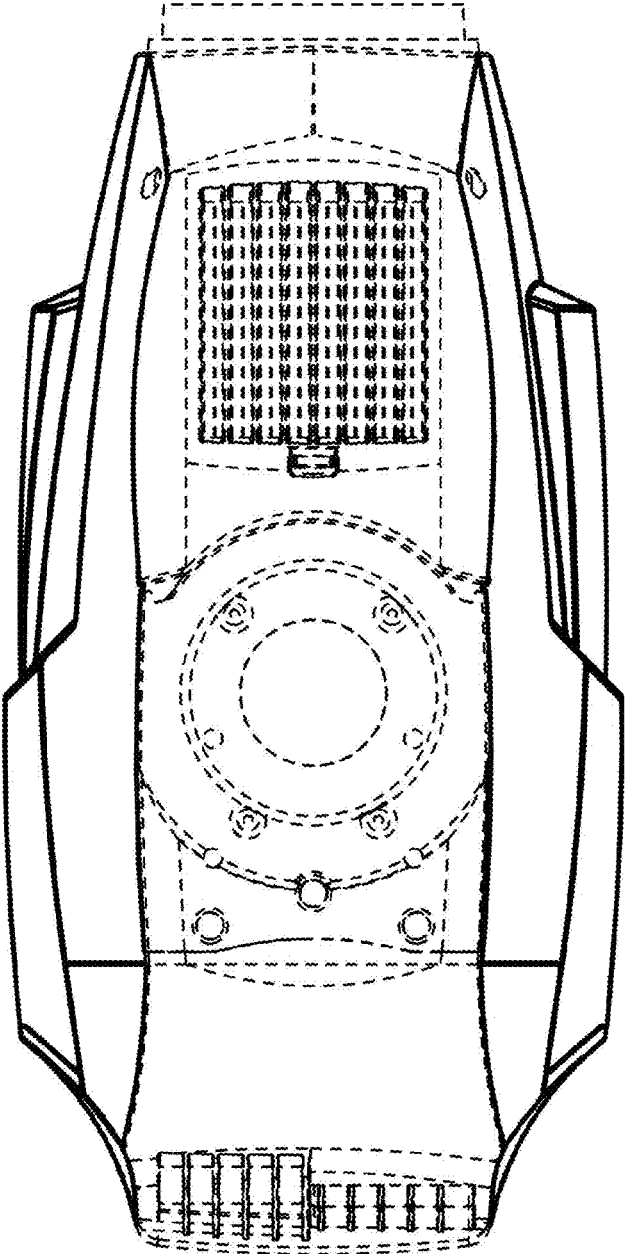


FIG. 7

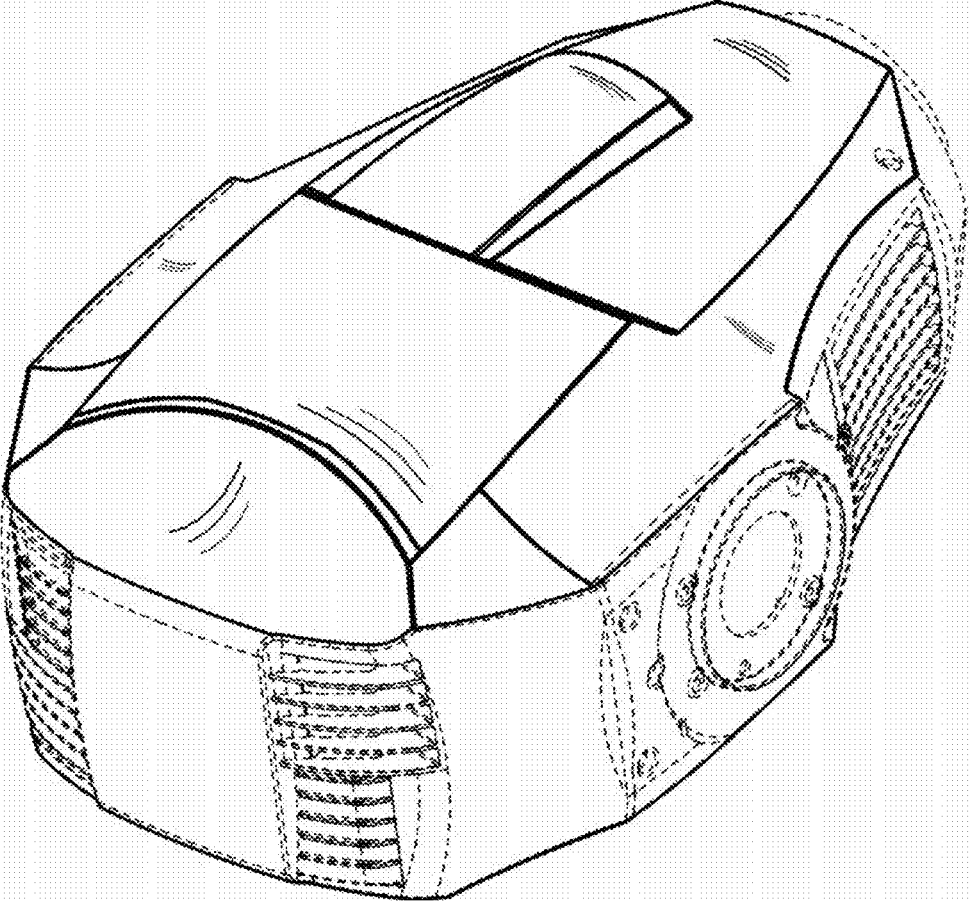


FIG. 8