



US00D738555S

(12) **United States Design Patent**
Kjaergaard

(10) **Patent No.:** **US D738,555 S**

(45) **Date of Patent:** **** Sep. 8, 2015**

(54) **LIGHTING FIXTURE**

(56) **References Cited**

(71) Applicant: **Martin Professional A/S**, Aarhus N.
(DK)

U.S. PATENT DOCUMENTS

(72) Inventor: **Uffe Toft Kjaergaard**, Højbjerg (DK)

D372,550 S *	8/1996	Stultz	D26/63
D382,661 S *	8/1997	Wong	D26/63
D439,356 S *	3/2001	Martinson et al.	D26/63
D618,377 S *	6/2010	Toft	D26/93
D620,187 S *	7/2010	Quadri	D26/63
D639,983 S *	6/2011	Quadri	D26/24
D694,450 S *	11/2013	Valeri et al.	D26/63
D699,878 S *	2/2014	Quadri	D26/63
D700,385 S *	2/2014	Quadri	D26/63

(73) Assignee: **Martin Professional APS**, Aarhus N.
(DK)

(**) Term: **14 Years**

* cited by examiner

(21) Appl. No.: **29/450,522**

Primary Examiner — Brian N Vinson

(22) Filed: **Mar. 19, 2013**

(74) *Attorney, Agent, or Firm* — Blank Rome LLP

(30) **Foreign Application Priority Data**

(57) **CLAIM**

I claim an ornamental design for a lighting fixture, as shown and described.

Sep. 21, 2012 (EP) 002107433-0001

(51) **LOC (10) Cl.** **26-03**

(52) **U.S. Cl.**

USPC **D26/63**

(58) **Field of Classification Search**

USPC D26/1, 24, 61, 63, 65, 85, 92

CPC F21V 21/14; F21V 15/01; F21V 14/02;

F21V 21/30; F21V 21/00; F21V 14/00;

F21S 8/00; F21S 8/003; F21S 8/043; F21Y

2105/001

DESCRIPTION

FIG. 1 is a perspective view of stage lighting of the present design;

FIG. 2 is a top view of the stage lighting of FIG. 1;

FIG. 3 is a bottom view of the stage lighting of FIG. 1;

FIG. 4 is a left side view of the stage lighting of FIG. 1;

FIG. 5 is a right side view of the stage lighting of FIG. 1;

FIG. 6 is a front view of the stage lighting of FIG. 1; and,

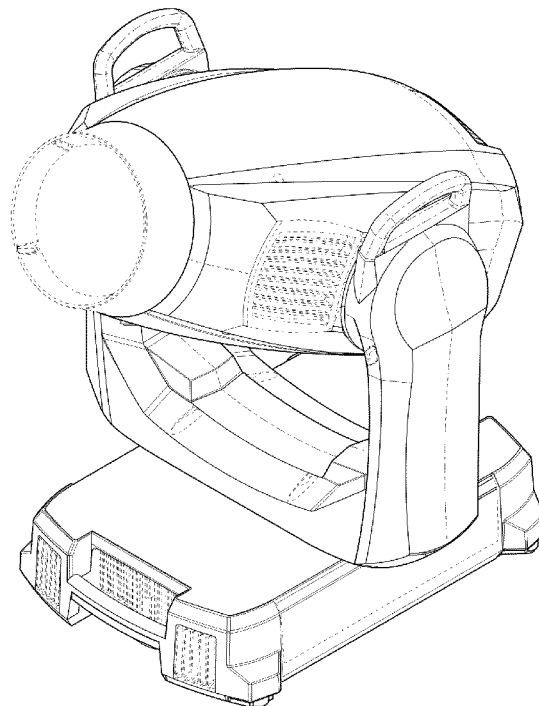
FIG. 7 is a rear view of the stage lighting of FIG. 1.

The shading in the figures show contour, not surface ornamentation, and form no part of the claimed design.

The dashed lines shown in the figures are for illustration only and form no part of the claimed design.

See application file for complete search history.

1 Claim, 7 Drawing Sheets



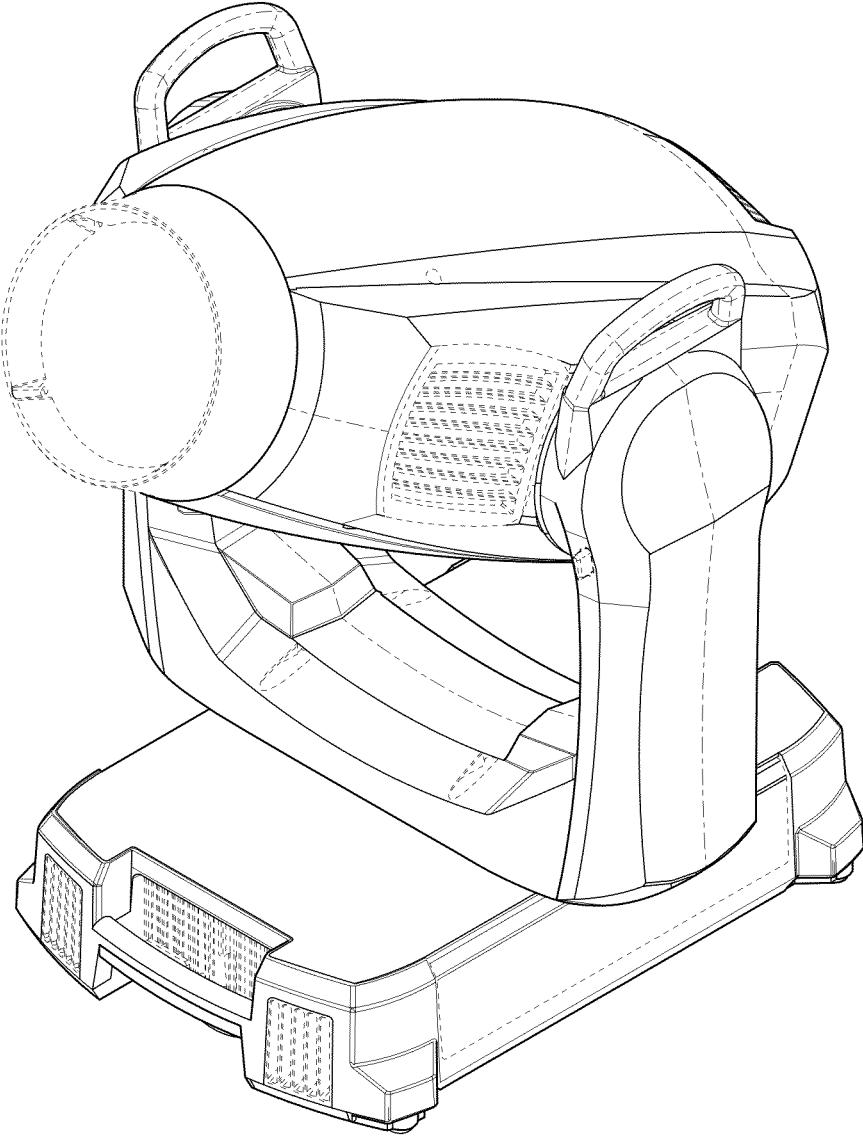


FIG. 1

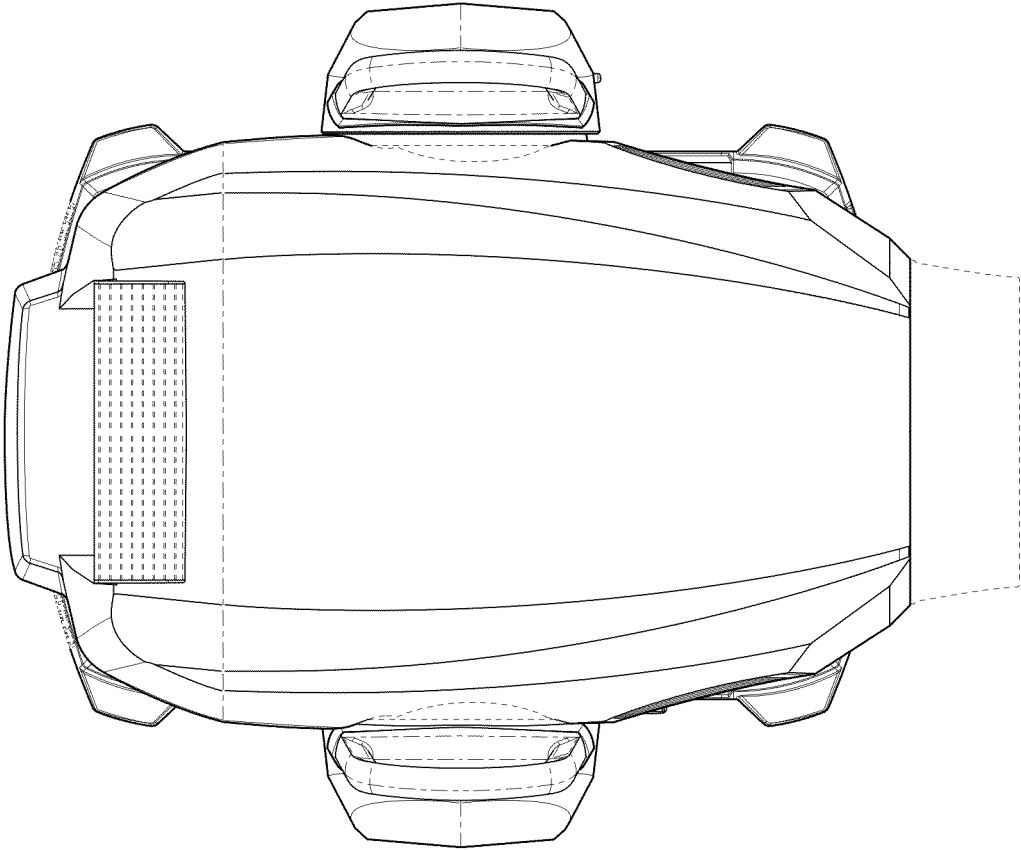


FIG. 2

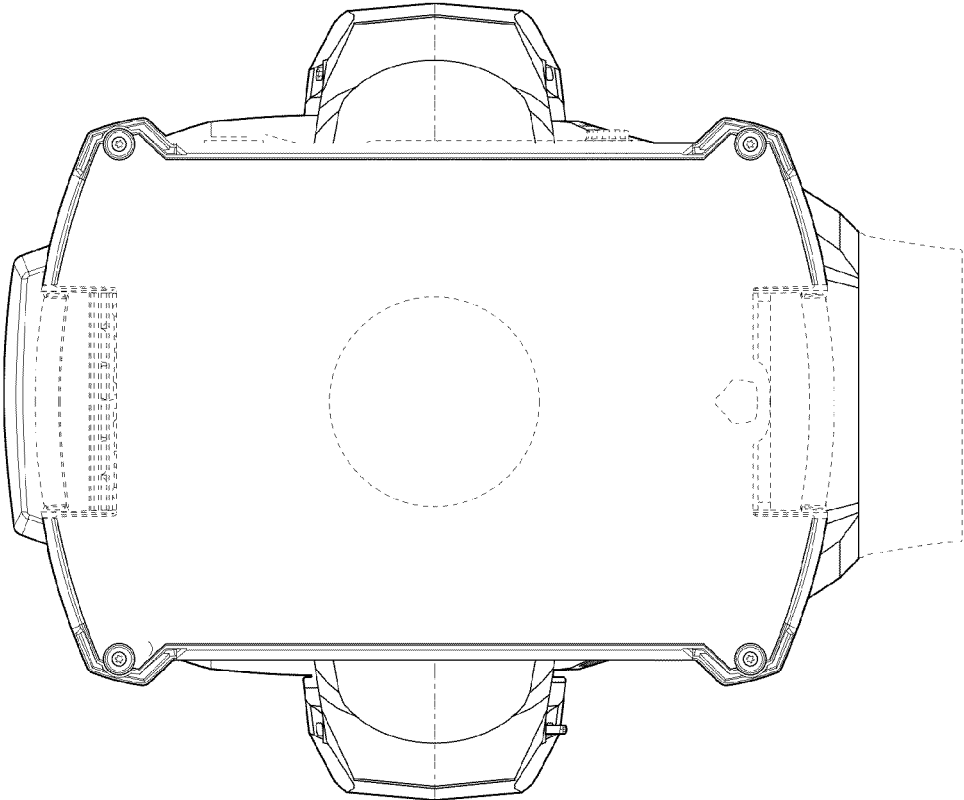


FIG. 3

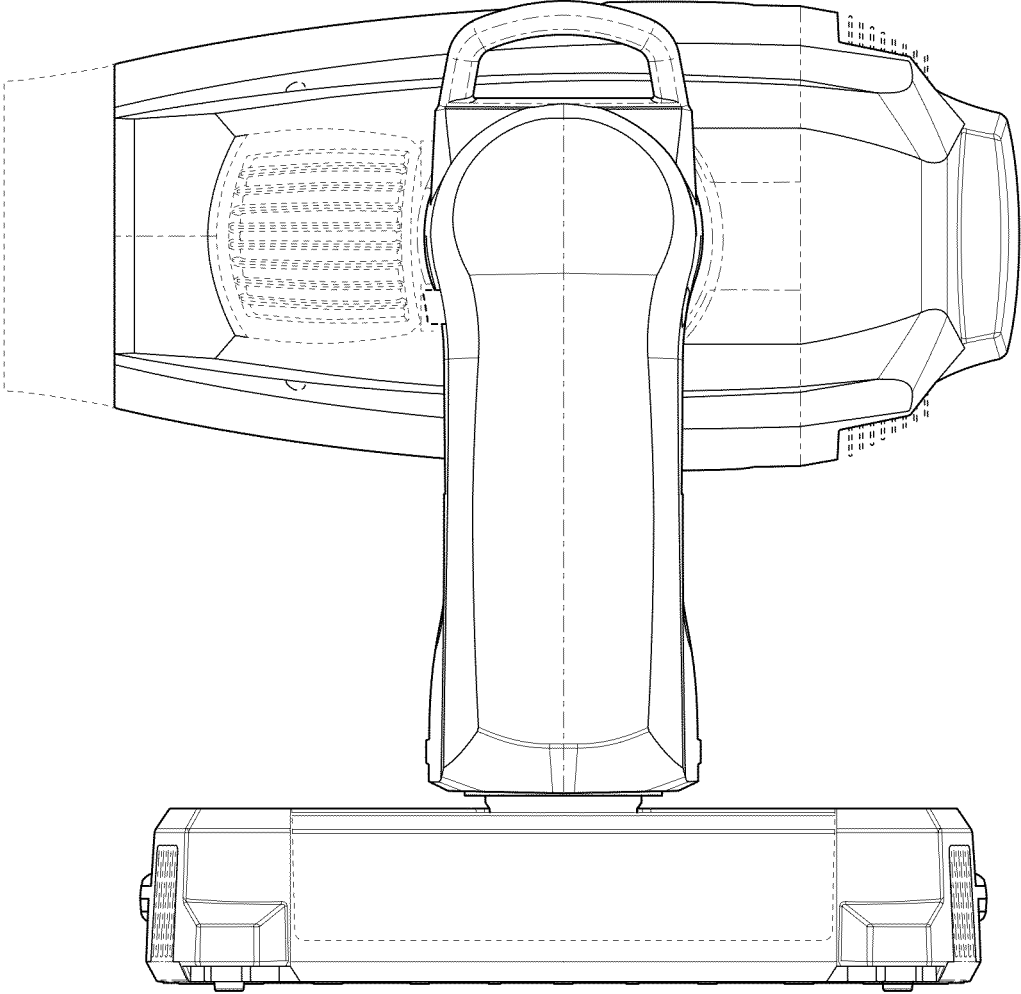


FIG. 4

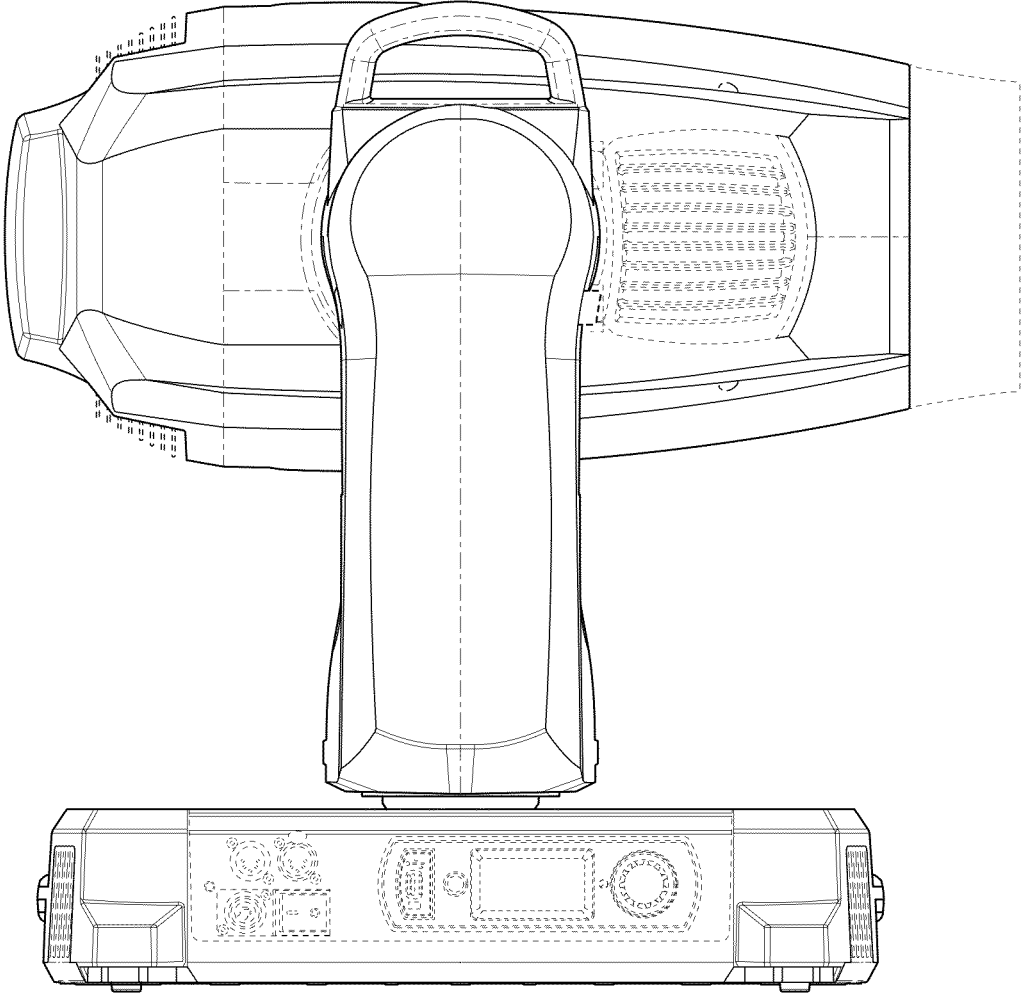


FIG. 5

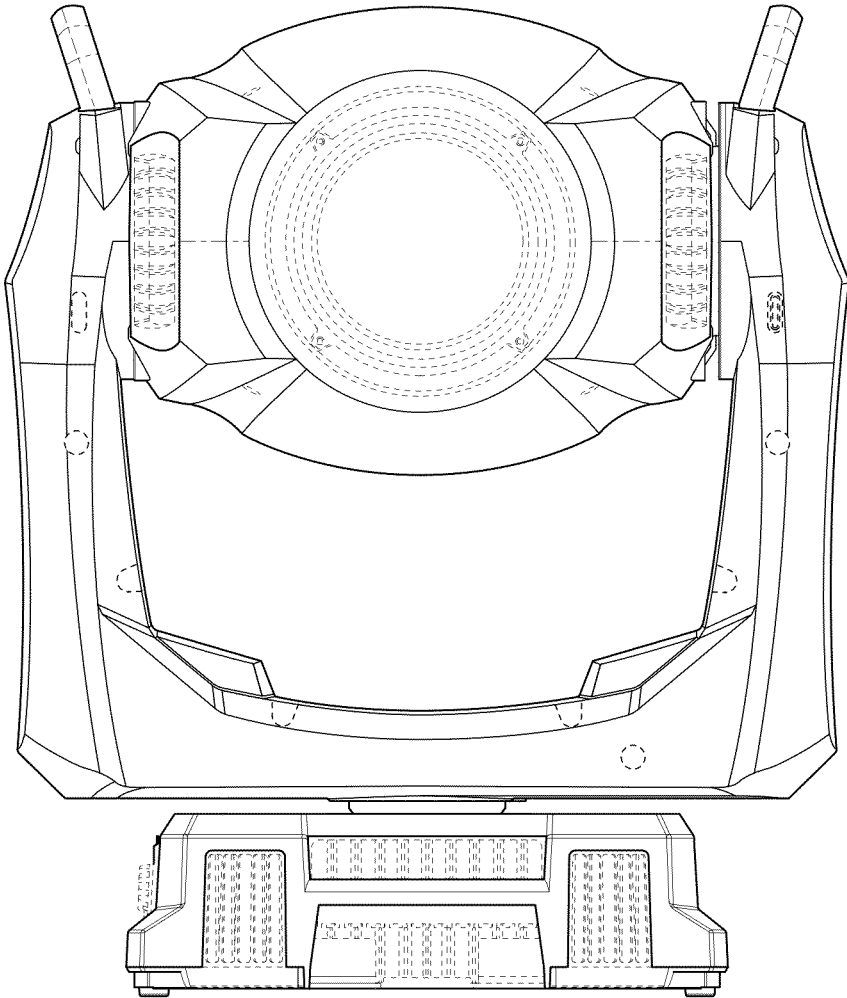


FIG. 6

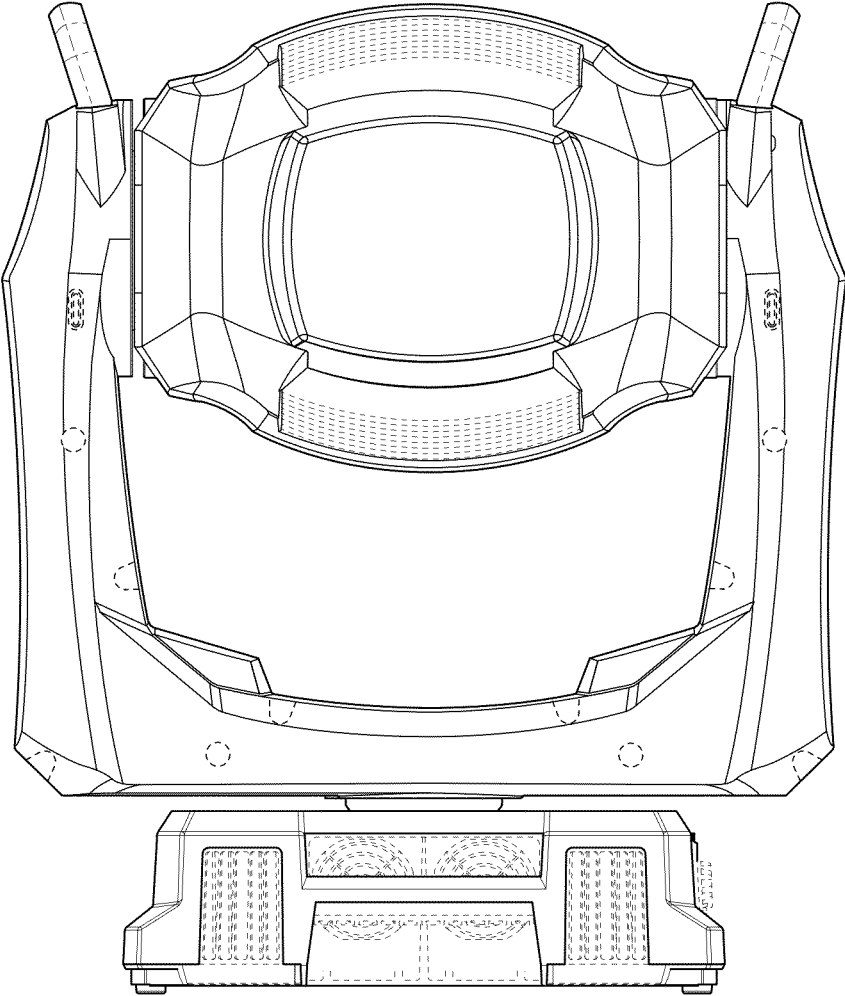


FIG. 7