



US00D735386S

(12) **United States Design Patent**
Lin et al.

(10) **Patent No.:** **US D735,386 S**

(45) **Date of Patent:** **** Jul. 28, 2015**

(54) **HIGH-BRIGHTNESS STUDIO LIGHT FOR FILM AND VIDEOGRAPHY, WITH STAND MOUNT AND ADJUSTABLE YOKE, UTILIZING LIGHT EMITTING DIODES AND VENTILATING SLOTS**

(71) Applicants: **Chih-Chien Lin**, Kaohsiung (TW);
Yi-Lin Chung, Kaohsiung (TW);
Yen-Chih Liu, Pingtung (TW); **Brent John Siebenaler**, Redondo Beach, CA (US)

(72) Inventors: **Chih-Chien Lin**, Kaohsiung (TW);
Yi-Lin Chung, Kaohsiung (TW);
Yen-Chih Liu, Pingtung (TW); **Brent John Siebenaler**, Redondo Beach, CA (US)

(73) Assignee: **DiCon Fiberoptics, Inc.**, Richmond, CA (US)

(**) Term: **14 Years**

(21) Appl. No.: **29/473,811**

(22) Filed: **Nov. 26, 2013**

(51) **LOC (10) Cl.** **26-03**

(52) **U.S. Cl.**
USPC **D26/63**

(58) **Field of Classification Search**
USPC D26/1, 24, 61, 63, 65, 85, 92
CPC F21V 21/14; F21V 15/01; F21V 14/02;
F21V 21/30; F21V 21/00; F21V 14/00;
F21S 8/00; F21S 8/003; F21S 8/043; F21Y
2105/001

See application file for complete search history.

(56) **References Cited**

U.S. PATENT DOCUMENTS

D366,712	S *	1/1996	Hanson et al.	D26/63
D563,035	S *	2/2008	Schlegel et al.	D26/63
D587,833	S *	3/2009	Bina et al.	D26/63
D699,382	S *	2/2014	Moller et al.	D26/63

* cited by examiner

Primary Examiner — Brian N Vinson

(57) **CLAIM**

The ornamental design for a high-brightness studio light for film and videography, with stand mount and adjustable yoke, utilizing light emitting diodes and ventilating slots, as shown and described.

DESCRIPTION

FIG. 1 is a front perspective view of the high-brightness studio light for film and videography, with stand mount and adjustable yoke, utilizing light emitting diodes and ventilating slots.

FIG. 2 is another front perspective view thereof.

FIG. 3 is another front perspective view thereof, taken from below.

FIG. 4 is another front perspective view thereof, taken from below.

FIG. 5 is a rear perspective view thereof.

FIG. 6 is a front view thereof.

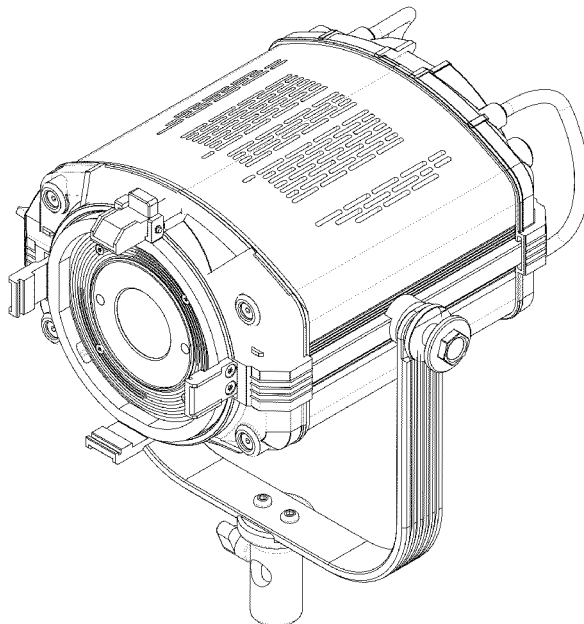
FIG. 7 is a rear view thereof.

FIGS. 8 and 9 are side views thereof.

FIG. 10 is a bottom view thereof; and,

FIG. 11 is a top view thereof.

1 Claim, 10 Drawing Sheets



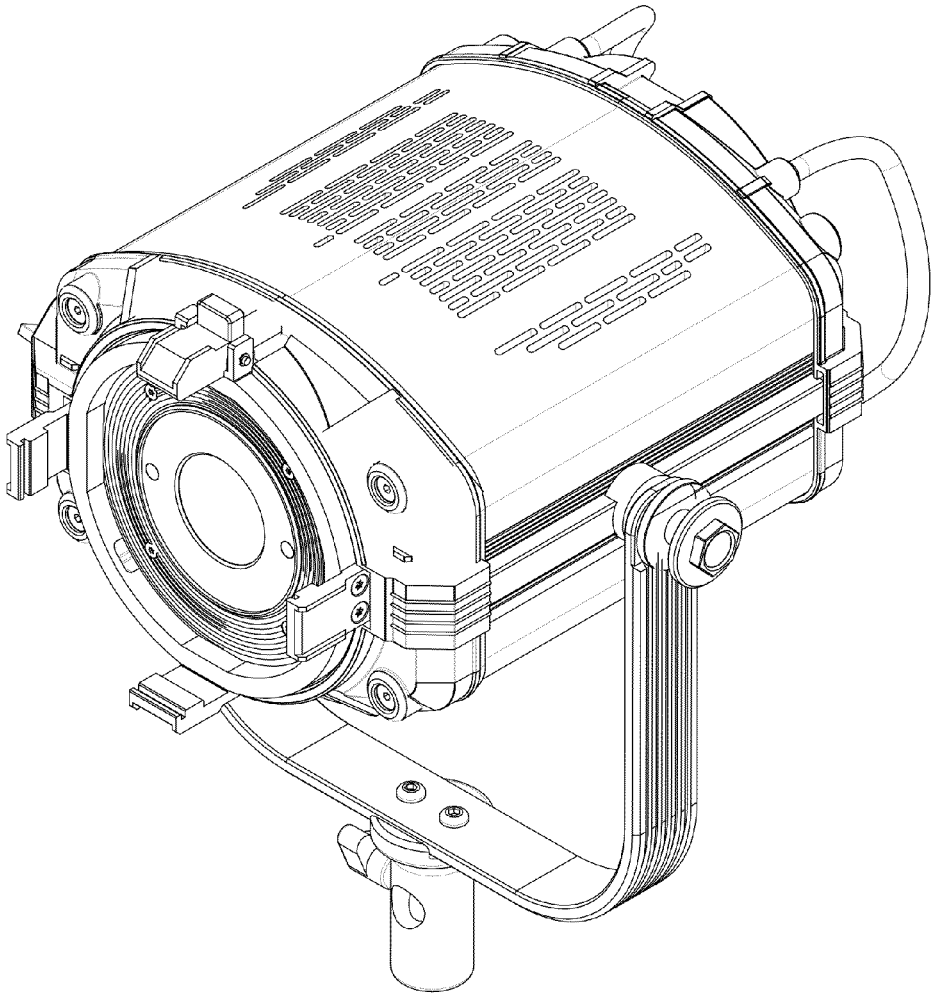


FIG. 1

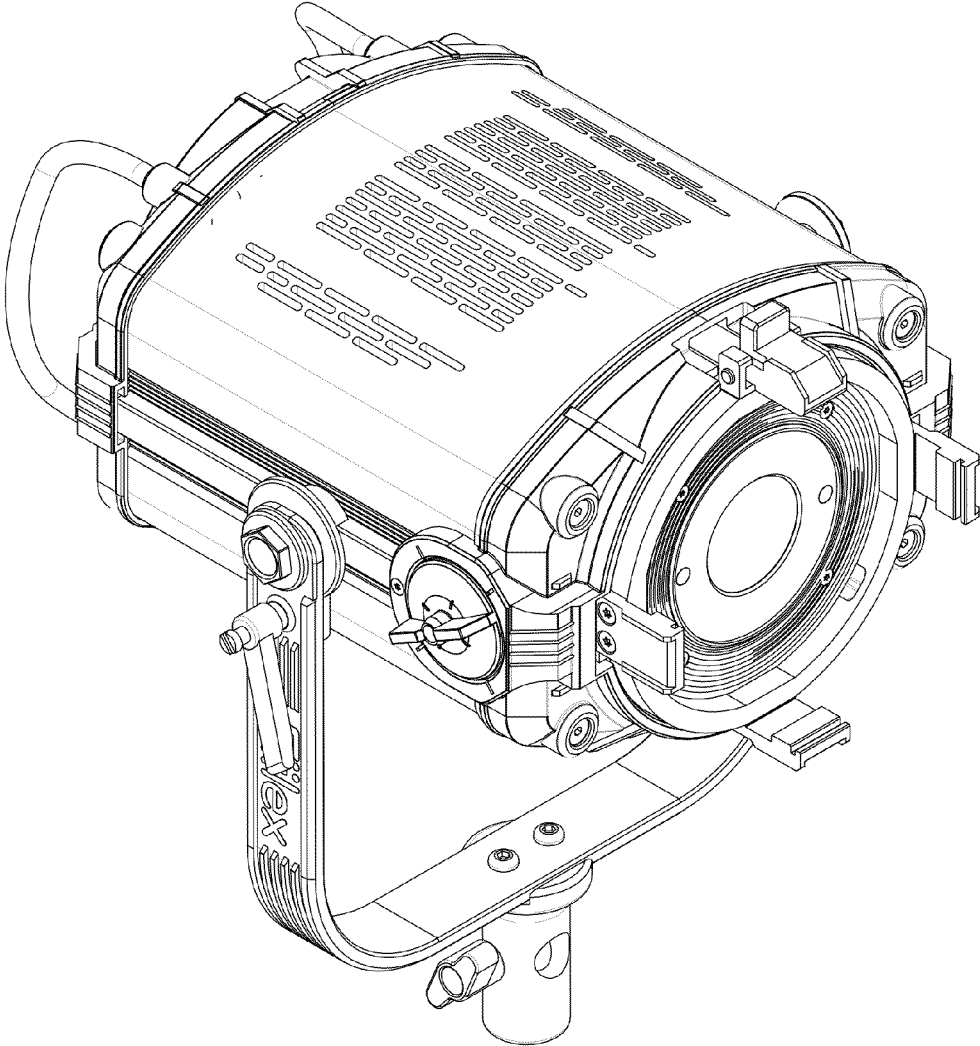


FIG. 2

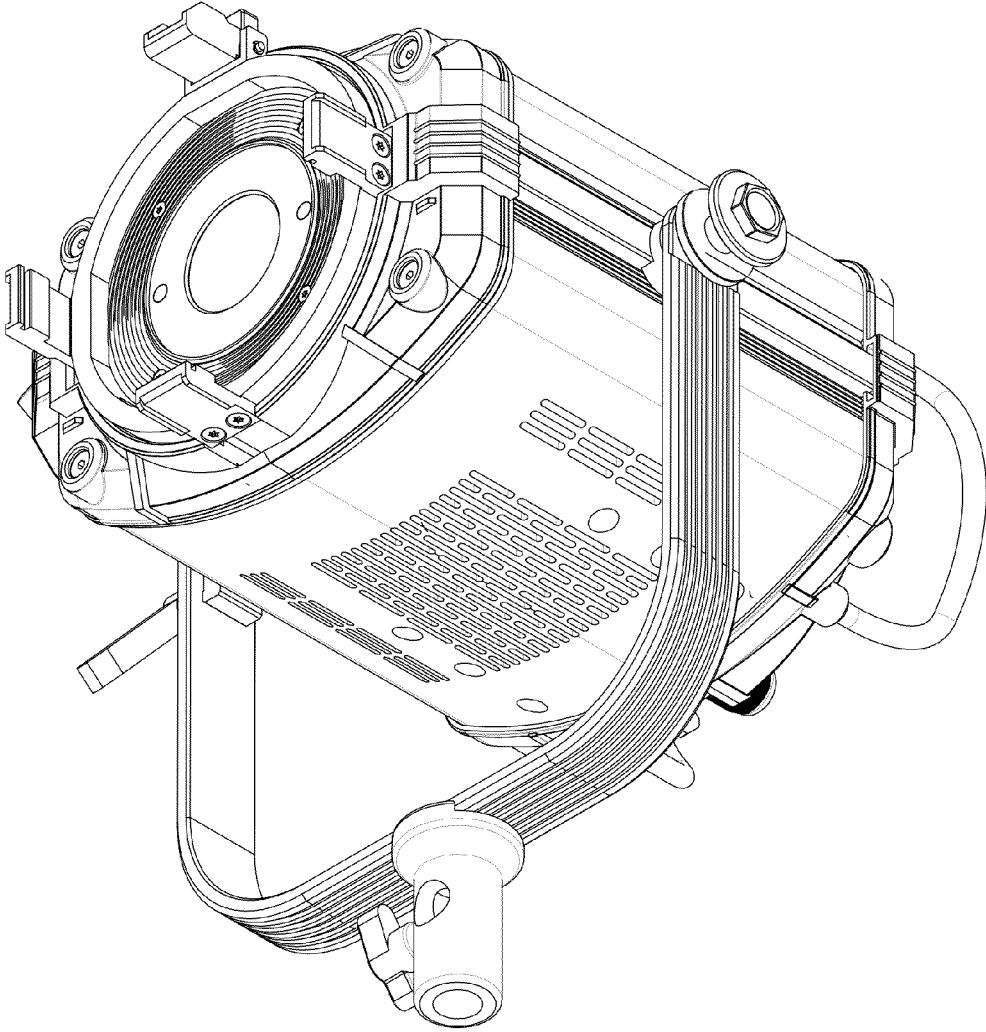


FIG. 3

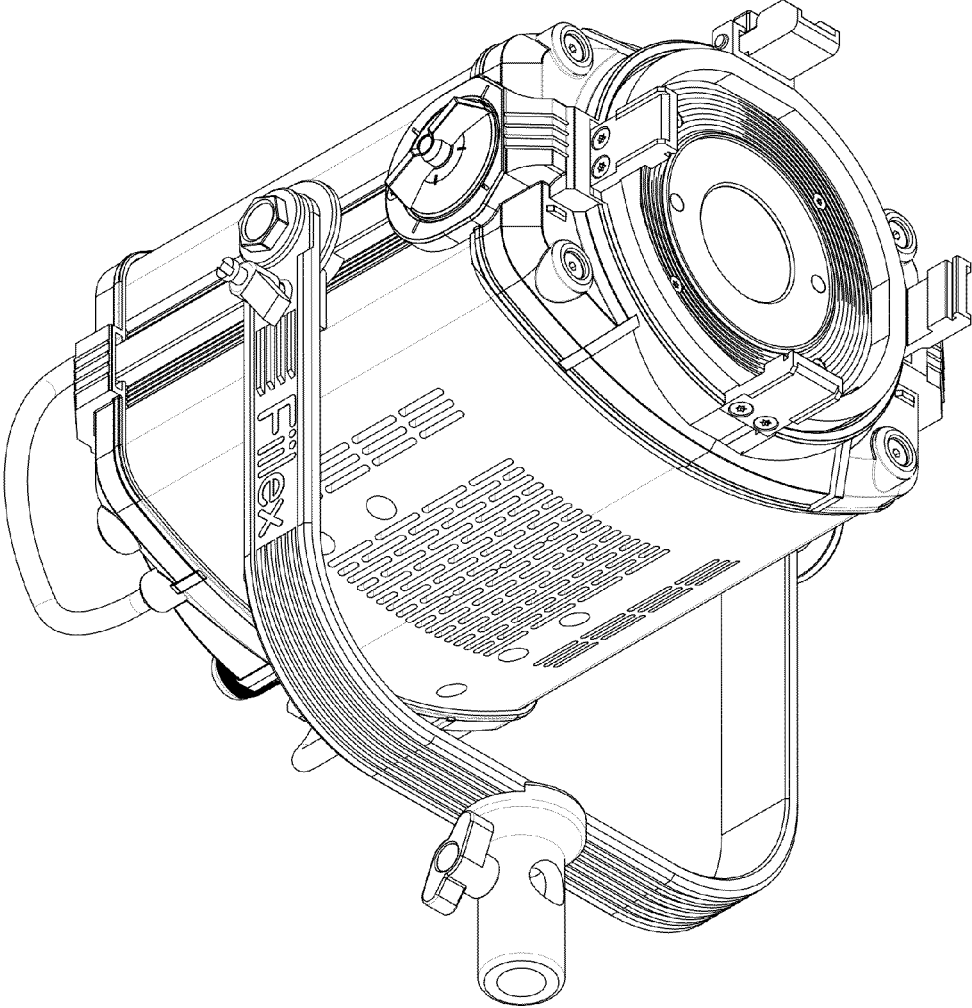


FIG. 4

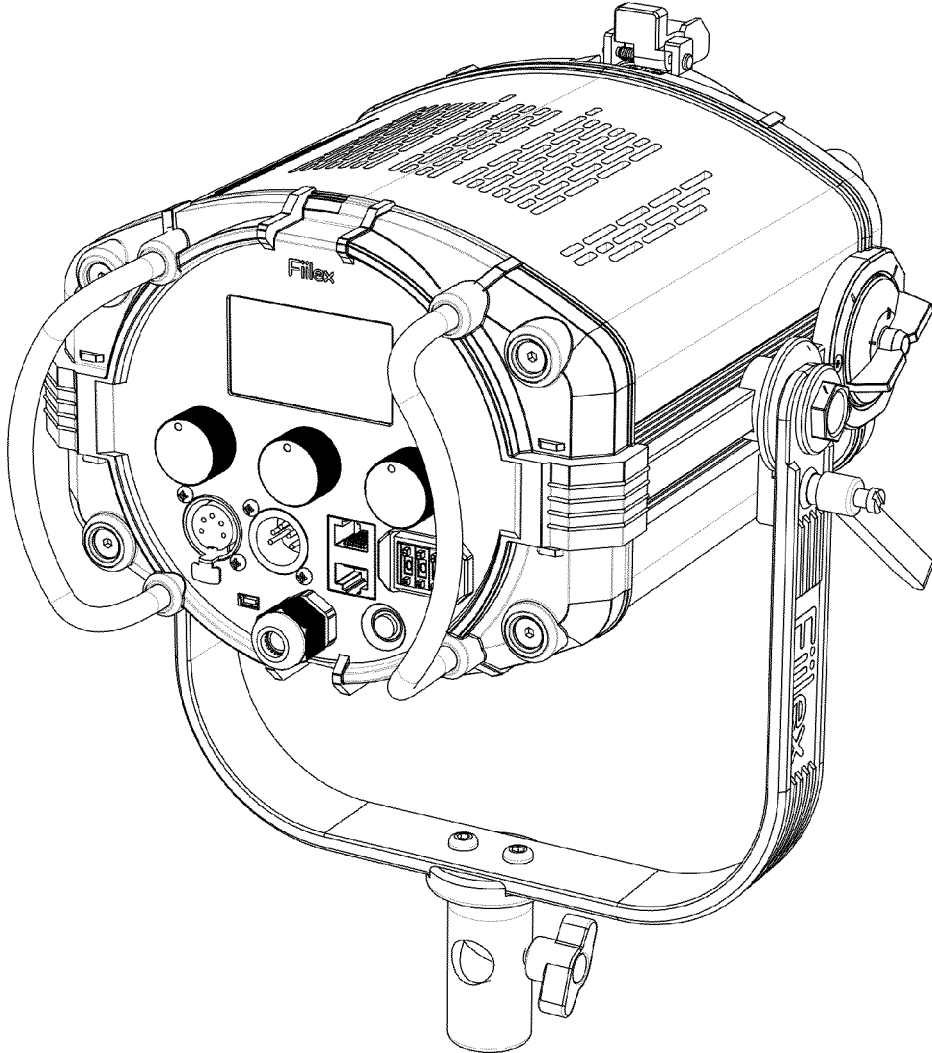


FIG. 5

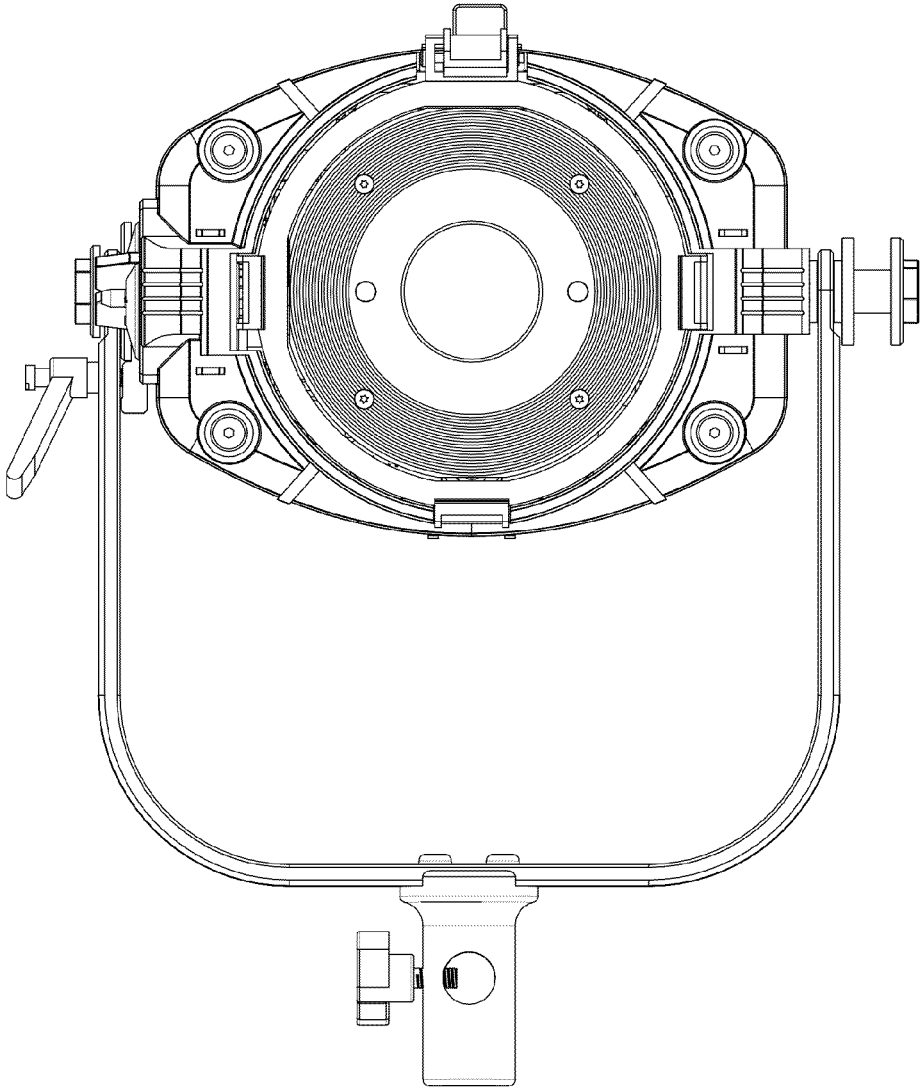


FIG. 6

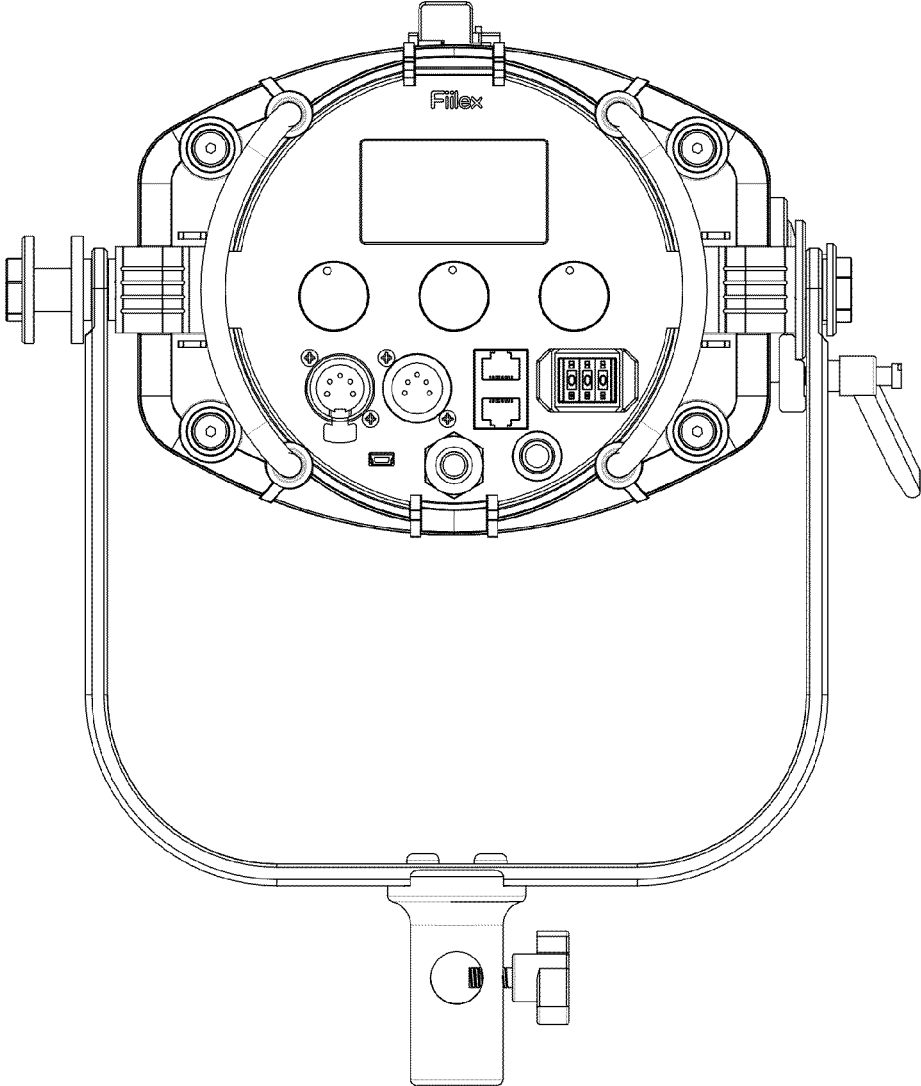


FIG. 7

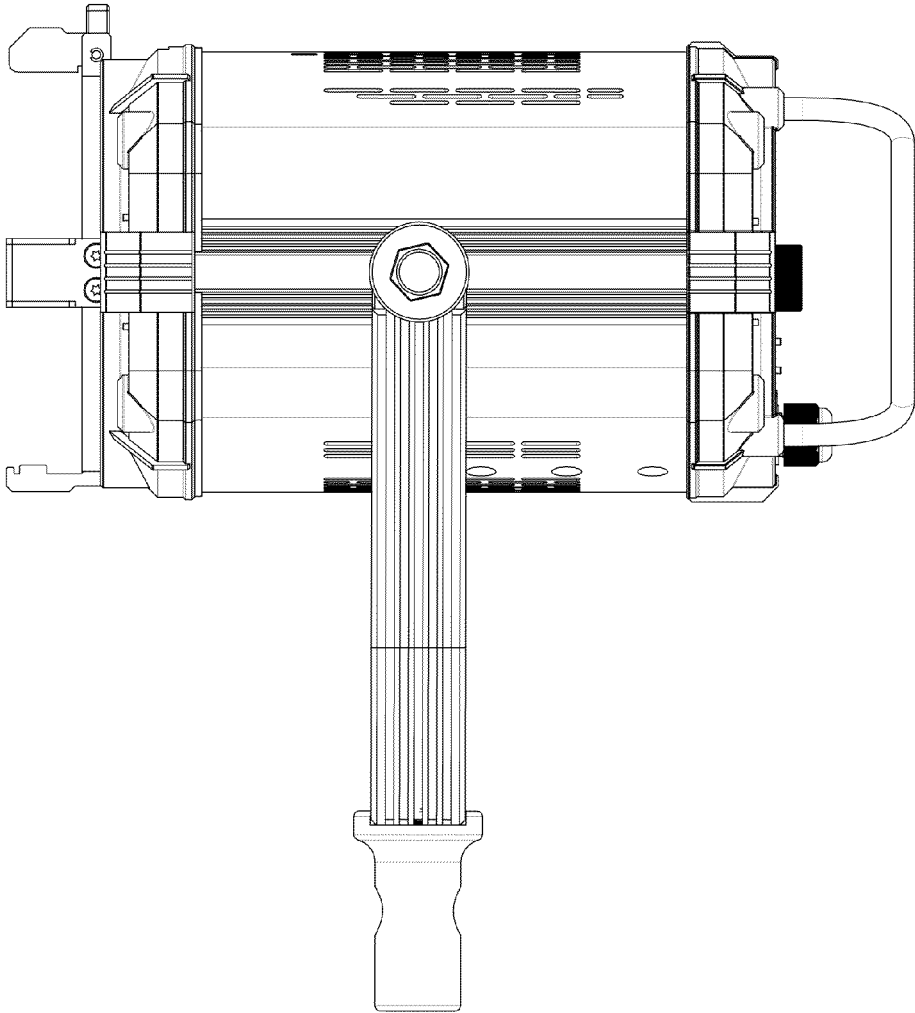


FIG. 8

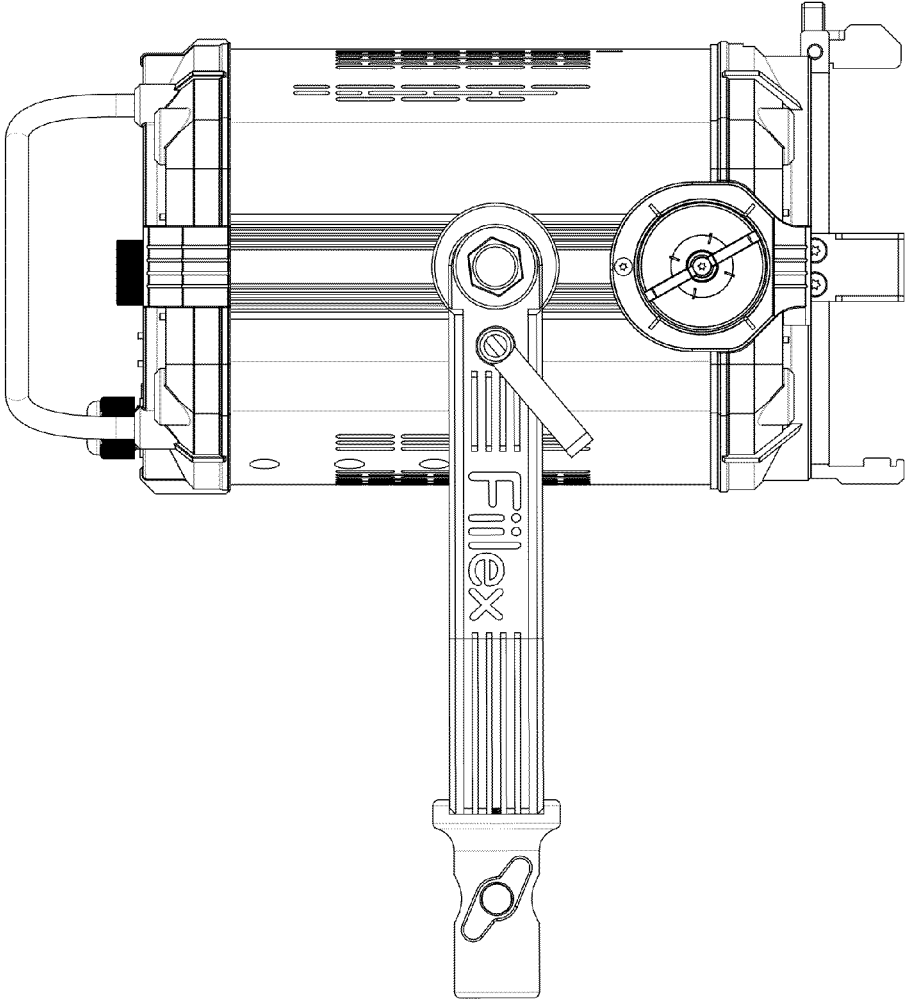


FIG. 9

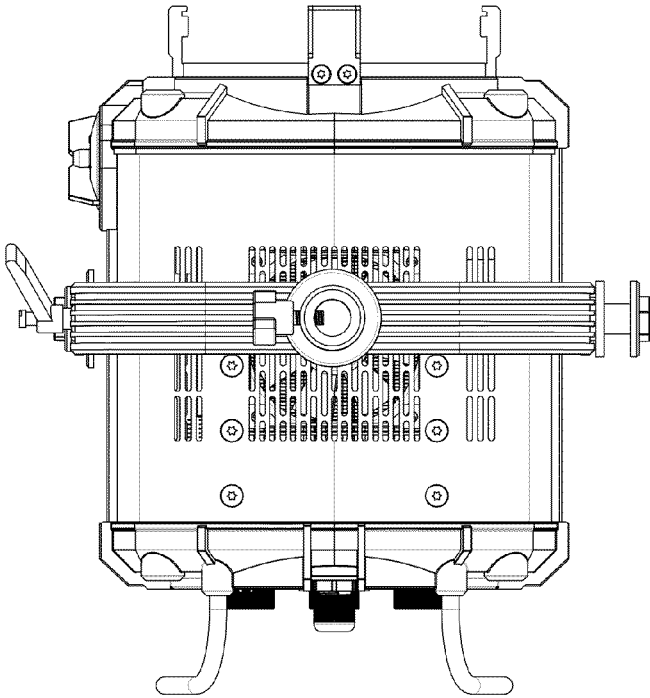


FIG. 10

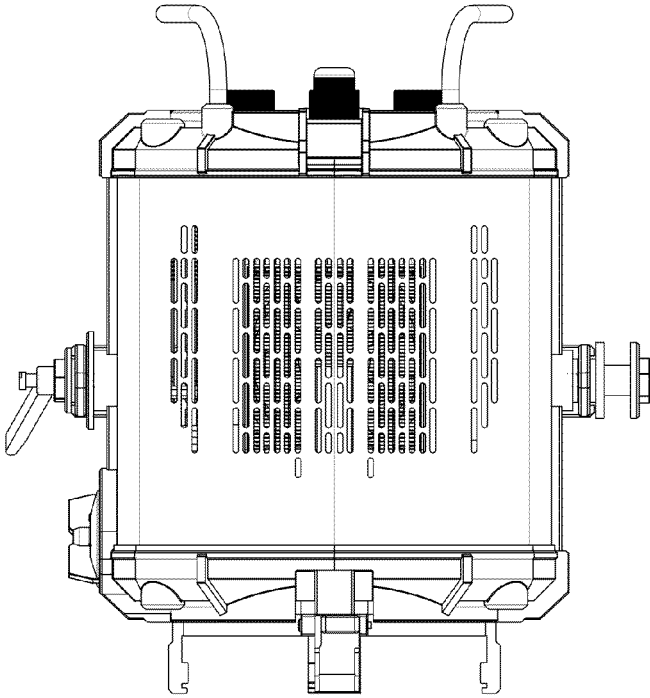


FIG. 11