



US00D712087S

(12) **United States Design Patent**  
**Kjaergaard Toft**

(10) **Patent No.:** **US D712,087 S**

(45) **Date of Patent:** **\*\* Aug. 26, 2014**

(54) **LIGHT LENS**

(71) Applicant: **Martin Professional ApS**, Aarhus N (DK)

(72) Inventor: **Uffe Kjaergaard Toft**, Højbjerg (DK)

(73) Assignee: **Martin Professional ApS**, Aarhus N (DK)

(\*\*) Term: **14 Years**

(21) Appl. No.: **29/484,171**

(22) Filed: **Mar. 6, 2014**

(51) **LOC (10) Cl.** ..... **26-99**

(52) **U.S. Cl.**  
USPC ..... **D26/123**

(58) **Field of Classification Search**  
USPC ..... D26/118, 119, 120, 64, 65, 72, 124, D26/125, 138, 128, 132, 84, 85, 86, 87, 69, D26/62, 1, 2, 123, 113, 134, 135, 89, 90, 24, D26/145, 142, 74, 63, 88; 362/147, 364, 362/362, 365, 294, 249.03, 282, 275, 190, 362/341, 249.01; D13/179, 180  
See application file for complete search history.

(56) **References Cited**

**U.S. PATENT DOCUMENTS**

D234,800	S	*	4/1975	Swartz	.....	D26/24
6,578,994	B1	*	6/2003	Beyerlein	.....	362/490
D494,288	S	*	8/2004	Matsui et al.	.....	D26/2
D603,811	S	*	11/2009	Son	.....	D13/180
D613,445	S	*	4/2010	Beghelli	.....	D26/74
7,744,259	B2	*	6/2010	Walczak et al.	.....	362/421
7,918,590	B1	*	4/2011	Li et al.	.....	362/311.02

D660,506	S	*	5/2012	McMahan	.....	D26/118
D664,285	S	*	7/2012	Toft	.....	D26/118
D667,582	S	*	9/2012	Toft	.....	D26/63
D672,915	S	*	12/2012	Toft	.....	D26/123
D677,815	S	*	3/2013	Zhan	.....	D26/37
D679,446	S	*	4/2013	Harrington, Jr.	.....	D26/124
D700,584	S	*	3/2014	Bhat et al.	.....	D13/180
D702,386	S	*	4/2014	Valeri et al.	.....	D26/63
2007/0023769	A1	*	2/2007	Nishimoto et al.	.....	257/88
2007/0062032	A1	*	3/2007	Ter-Hovhannissian	.....	29/840
2008/0080190	A1	*	4/2008	Walczak et al.	.....	362/294
2011/0199770	A1	*	8/2011	Pedersen	.....	362/249.03
2011/0235330	A1	*	9/2011	Pedersen et al.	.....	362/249.03
2011/0261568	A1	*	10/2011	Dalsgaard	.....	362/249.03
2012/0091917	A1	*	4/2012	Vinther et al.	.....	315/312

\* cited by examiner

*Primary Examiner* — Kevin Rudzinski

(74) *Attorney, Agent, or Firm* — Plumsea Law Group, LLC

(57) **CLAIM**

The ornamental design for a light lens, as shown and described.

**DESCRIPTION**

FIG. 1 is a perspective view of a light lens showing my new design;

FIG. 2 is a front view thereof;

FIG. 3 is a left side elevational view thereof;

FIG. 4 is a right side elevational view thereof;

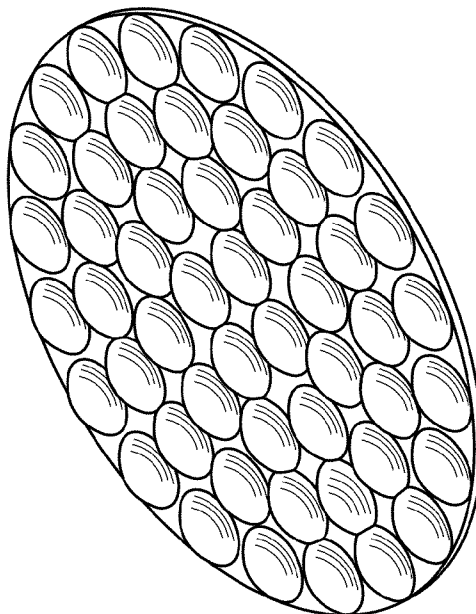
FIG. 5 is a top plan view thereof;

FIG. 6 is a bottom plan view thereof; and,

FIG. 7 is a perspective view of the light lens shown on a lighting assembly.

The broken line showing of the remainder of the lighting assembly in FIG. 7 forms no part of the claimed design.

**1 Claim, 7 Drawing Sheets**



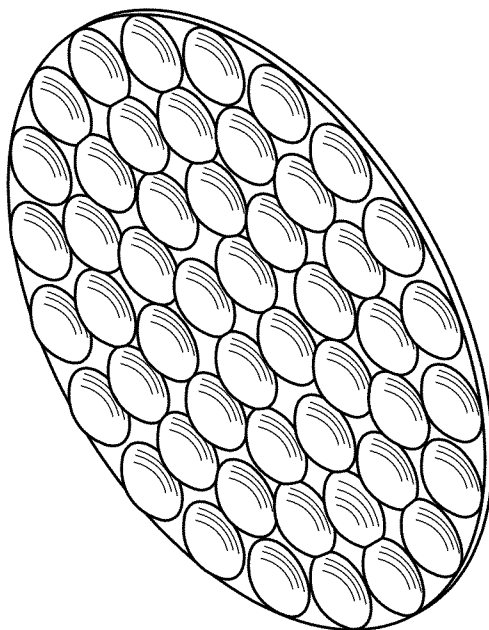


FIG. 1

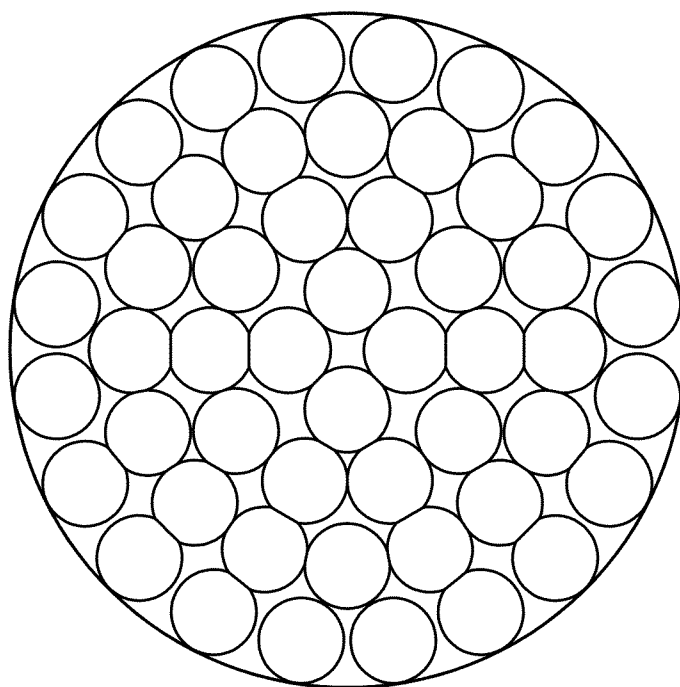


FIG. 2



FIG. 3



FIG. 4



FIG. 5

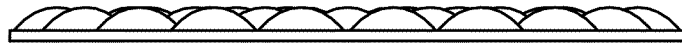


FIG. 6

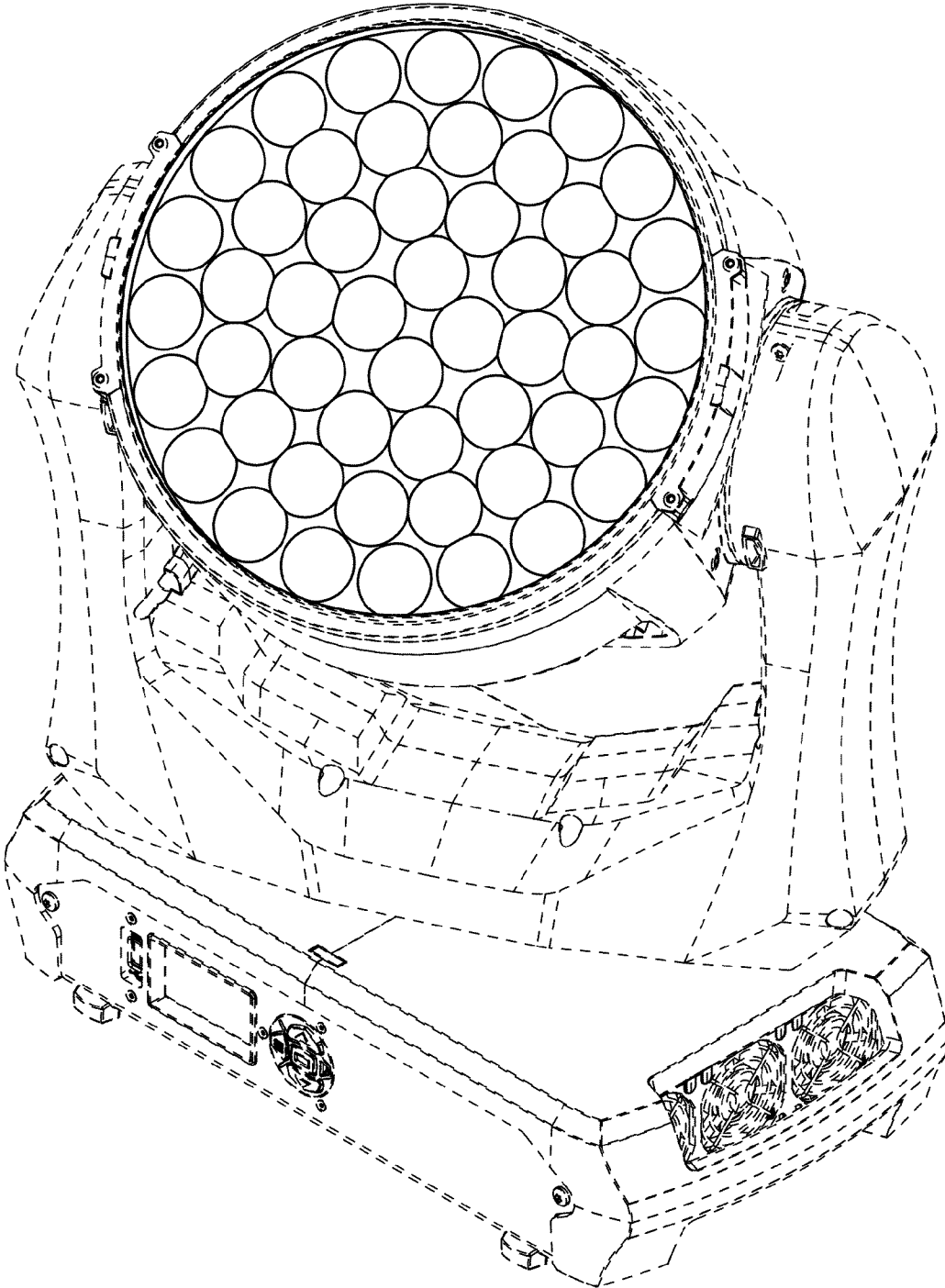


FIG. 7