



US00D712085S

(12) **United States Design Patent**  
**Kjaergaard Toft**

(10) **Patent No.:** **US D712,085 S**

(45) **Date of Patent:** **\*\* Aug. 26, 2014**

(54) **LIGHT HOUSING**

(71) Applicant: **Martin Professional ApS**, Aarhus N (DK)

(72) Inventor: **Uffe Kjaergaard Toft**, Højbjerg (DE)

(73) Assignee: **Martin Professional ApS**, Aarhus N (DK)

(\*\*) Term: **14 Years**

(21) Appl. No.: **29/484,173**

(22) Filed: **Mar. 6, 2014**

(51) **LOC (10) Cl.** ..... **26-99**

(52) **U.S. Cl.**  
USPC ..... **D26/118**

(58) **Field of Classification Search**  
USPC ..... D26/118, 119, 120, 64, 65, 72, 124,  
D26/125, 138, 128, 132, 84, 85, 86, 87, 69,  
D26/62, 1, 2, 113, 134, 135, 89, 90, 24, 145,  
D26/142, 74, 63, 88; 362/147, 364, 362,  
362/365, 294, 249.03, 282, 275, 190, 341,  
362/249.01; D13/179, 180  
See application file for complete search history.

(56) **References Cited**

U.S. PATENT DOCUMENTS

D372,550 S *	8/1996	Stultz	.....	D26/63
D425,232 S *	5/2000	Chang	.....	D26/63
D452,339 S *	12/2001	Outland et al.	.....	D26/63
D496,744 S *	9/2004	Smith et al.	.....	D26/63
D573,285 S *	7/2008	Zettl	.....	D26/63
D605,339 S *	12/2009	Quadri	.....	D26/118
7,699,506 B2 *	4/2010	Andersen et al.	.....	362/373
D620,187 S *	7/2010	Quadri	.....	D26/113

7,789,525 B2 *	9/2010	Vinther	.....	362/190
D639,983 S *	6/2011	Quadri	.....	D26/24
D652,983 S *	1/2012	Quadri	.....	D26/118
8,096,684 B2 *	1/2012	Salm et al.	.....	362/272
D664,285 S *	7/2012	Toft	.....	D26/118
D667,582 S *	9/2012	Toft	.....	D26/63
D694,450 S *	11/2013	Valeri et al.	.....	D26/63
D694,462 S *	11/2013	Kjaergaard	.....	D26/118
D694,927 S *	12/2013	Toft	.....	D26/63
D700,385 S *	2/2014	Quadri	.....	D26/63
D702,386 S *	4/2014	Valeri et al.	.....	D26/63
2005/0047142 A1 *	3/2005	Lui	.....	362/275
2008/0062692 A1 *	3/2008	Andersen et al.	.....	362/275
2009/0154165 A1 *	6/2009	Salm et al.	.....	362/272
2010/0246184 A1 *	9/2010	Quadri et al.	.....	362/282

\* cited by examiner

*Primary Examiner* — Kevin Rudzinski

(74) *Attorney, Agent, or Firm* — Plumsea Law Group, LLC

(57) **CLAIM**

The ornamental design for a light housing, as shown and described.

**DESCRIPTION**

FIG. 1 is a perspective view of a light housing showing my new design;

FIG. 2 is a front view thereof;

FIG. 3 is a left side elevational view thereof;

FIG. 4 is a right side elevational view thereof;

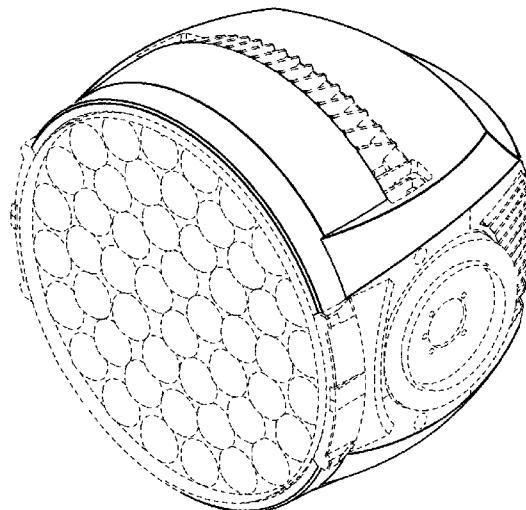
FIG. 5 is a top plan view thereof;

FIG. 6 is a bottom plan view thereof; and,

FIG. 7 is a perspective view of the light housing shown on a lighting assembly.

The broken lines shown in the drawings illustrate portions of the light housing that form no part of the claimed design.

**1 Claim, 7 Drawing Sheets**



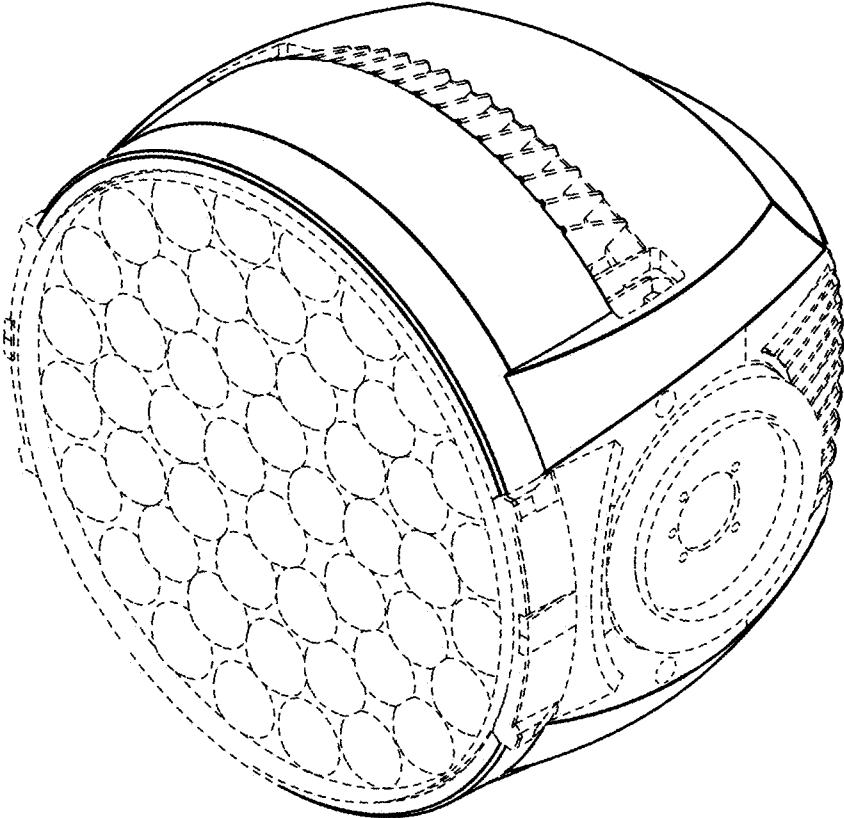


FIG. 1

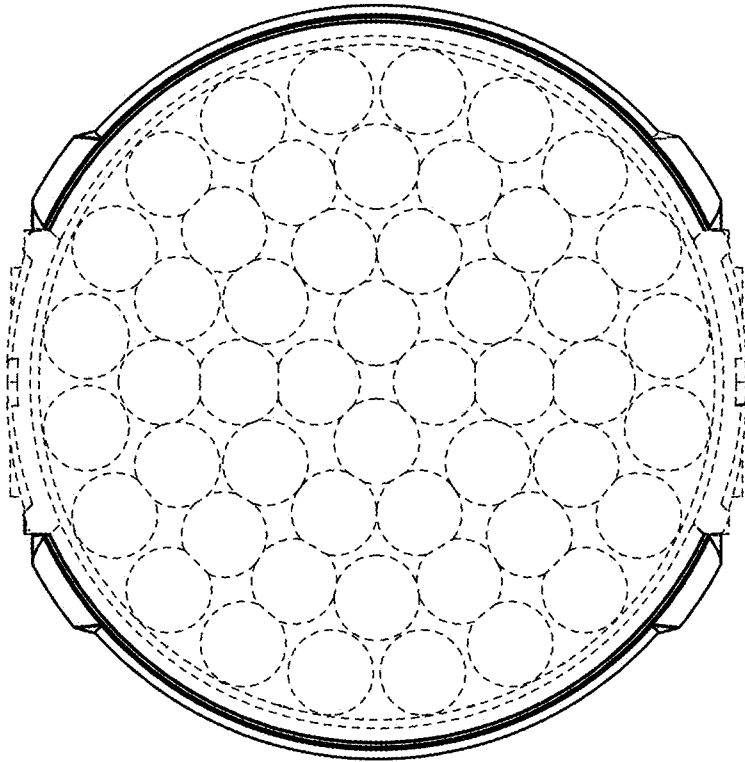


FIG. 2

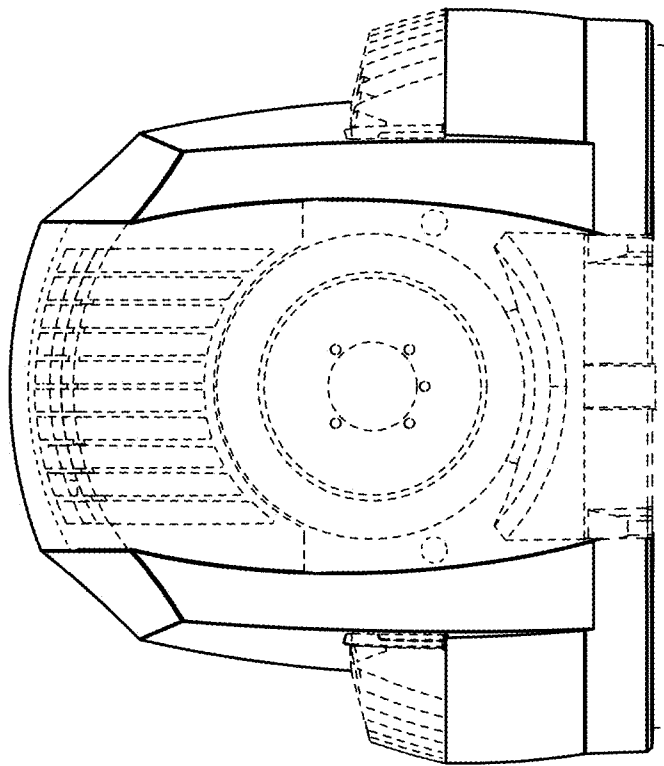


FIG. 3

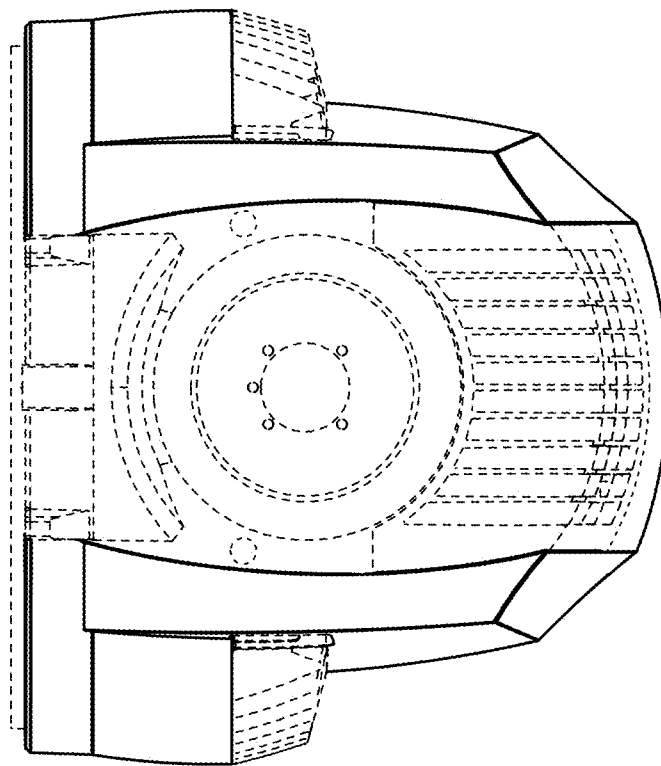


FIG. 4

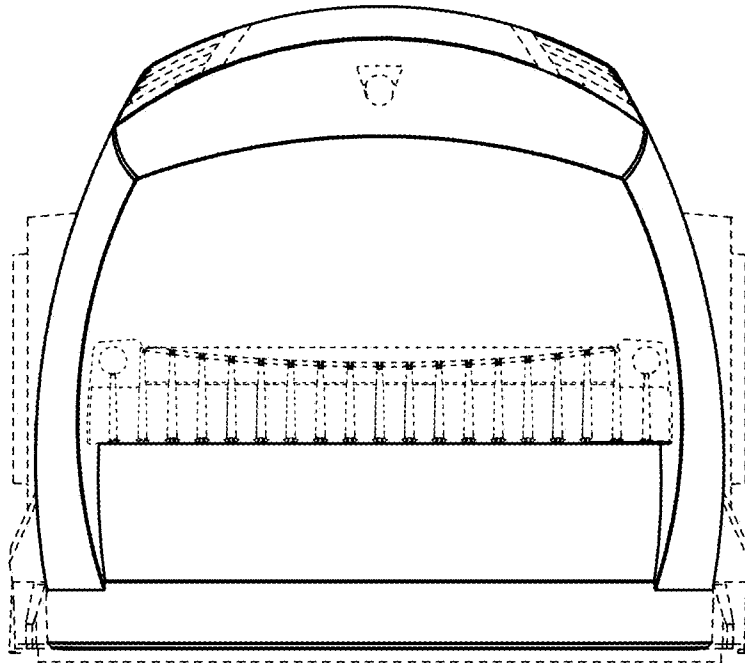


FIG. 5

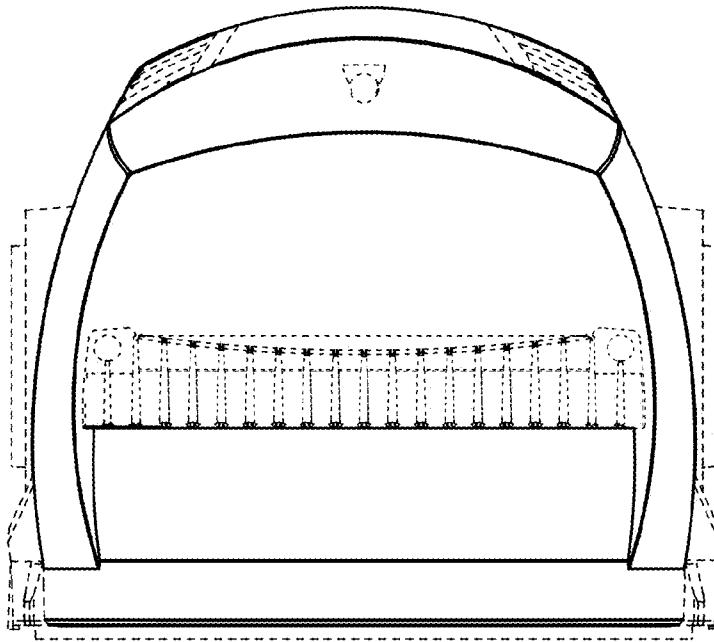


FIG. 6

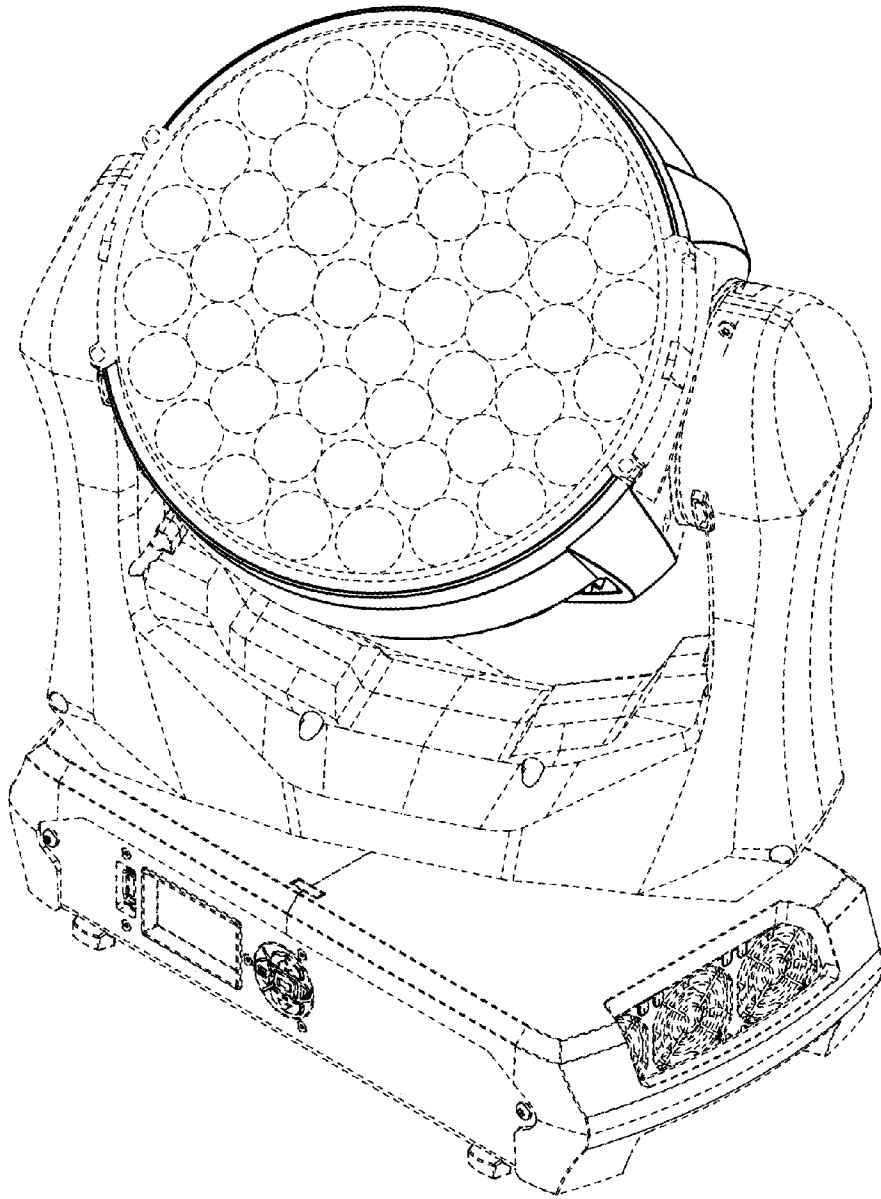


FIG. 7