



US00D700385S

(12) **United States Design Patent**
Quadri

(10) **Patent No.:** **US D700,385 S**

(45) **Date of Patent:** **** Feb. 25, 2014**

- (54) **STAGE LIGHTING**
- (71) Applicant: **Clay Paky S.p.A.**, Seriate (IT)
- (72) Inventor: **Pasquale Quadri**, Torre de' Roveri (IT)
- (73) Assignee: **Clay Paky S.p.A.**, Seriate (IT)
- (**) Term: **14 Years**
- (21) Appl. No.: **29/432,784**
- (22) Filed: **Sep. 20, 2012**

D242,945 S *	1/1977	Moore	D26/65
D359,574 S *	6/1995	Bornhorst et al.	D26/65
D486,259 S *	2/2004	Crawford et al.	D26/51
D552,782 S *	10/2007	Korpi	D26/63
D606,690 S *	12/2009	Orrom et al.	D26/61
D618,377 S *	6/2010	Toft	D26/93
D620,187 S *	7/2010	Quadri	D26/63
D639,983 S *	6/2011	Quadri	D26/61
D667,582 S *	9/2012	Toft	D26/63

* cited by examiner

Primary Examiner — Brian N Vinson
(74) *Attorney, Agent, or Firm* — Leason Ellis LLP

- (30) **Foreign Application Priority Data**
- Mar. 21, 2012 (EM) 002012294

- (51) **LOC (10) Cl.** **26-03**
- (52) **U.S. Cl.**
- USPC **D26/63**

- (58) **Field of Classification Search**
- USPC D26/1, 24, 60-66, 72, 85, 92, 113,
D26/118-119; 362/89, 217.01, 220, 217.02,
362/217.1, 217.14, 217.16, 257, 268-269,
362/275, 277, 282, 285, 310, 362, 368, 370,
362/382, 404, 418, 425, 427, 432, 433, 457,
362/804
- See application file for complete search history.

- (56) **References Cited**
- U.S. PATENT DOCUMENTS
- D120,741 S * 5/1940 Naylor D26/65
- D235,222 S * 5/1975 Larson D26/65

(57) **CLAIM**
The ornamental design for stage lighting, as shown and described.

DESCRIPTION

FIG. 1 is a front and side perspective view of stage lighting showing my new design;
FIG. 2 is a front elevation view thereof;
FIG. 3 is a right side elevation view thereof;
FIG. 4 is a left side elevation view thereof;
FIG. 5 is a rear elevation view thereof;
FIG. 6 is a top plan view thereof; and,
FIG. 7 is a bottom plan view thereof.
The broken lines shown in various figures are for illustrative purposes only and form no part of the claimed design.

1 Claim, 7 Drawing Sheets

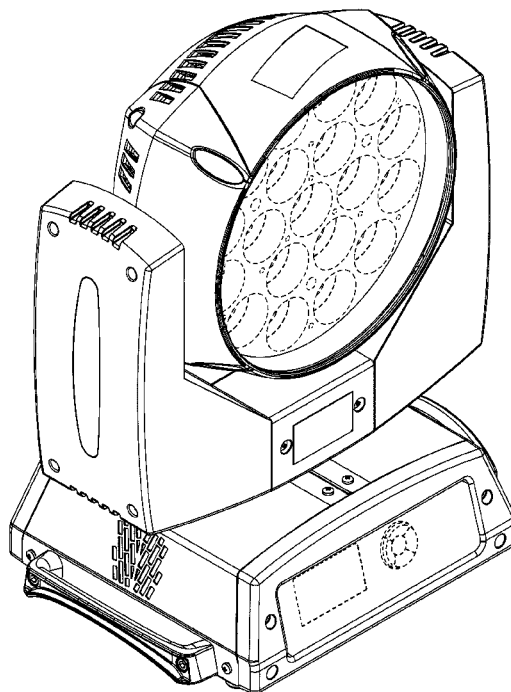


Fig. 1

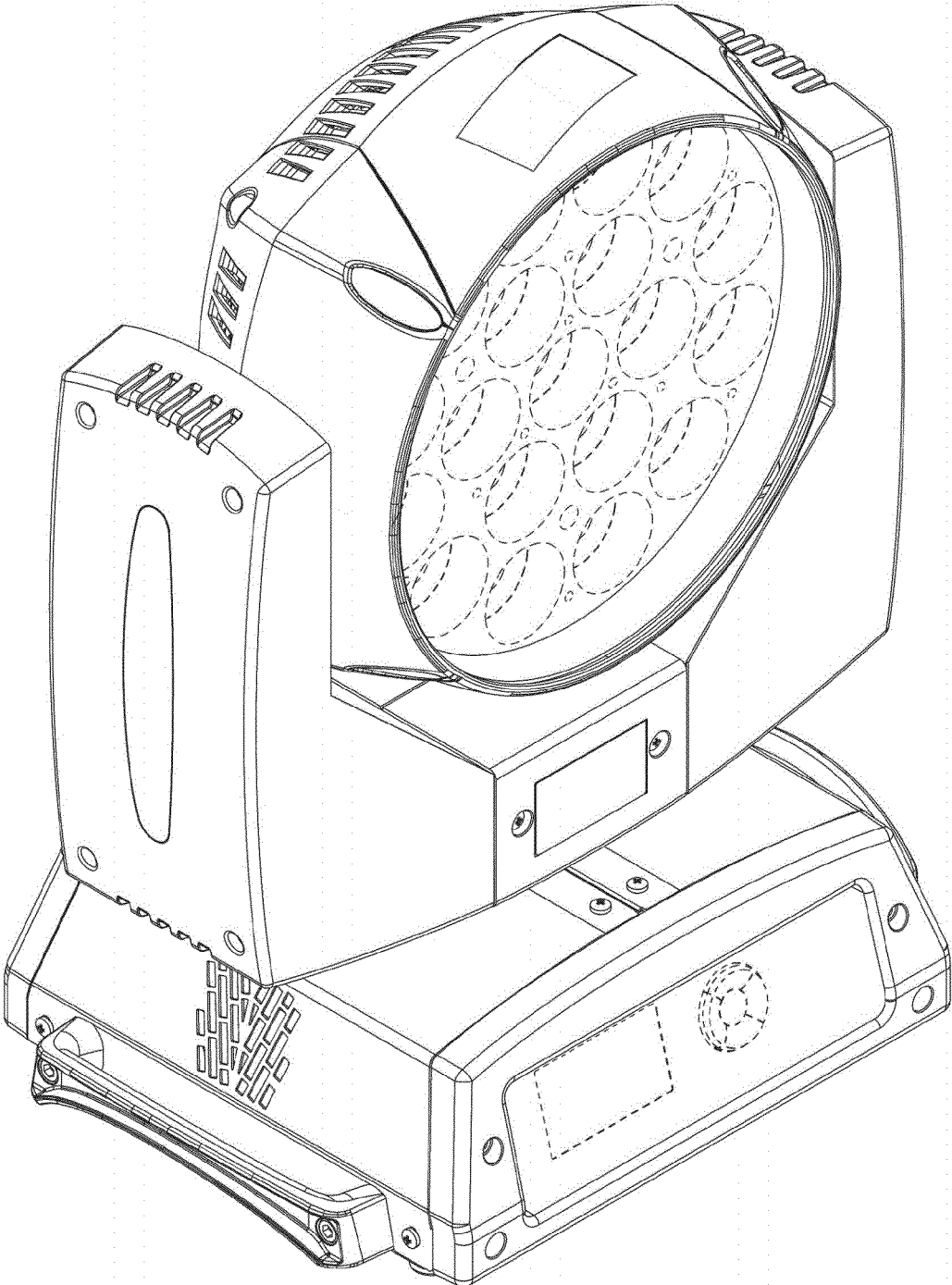


Fig. 2

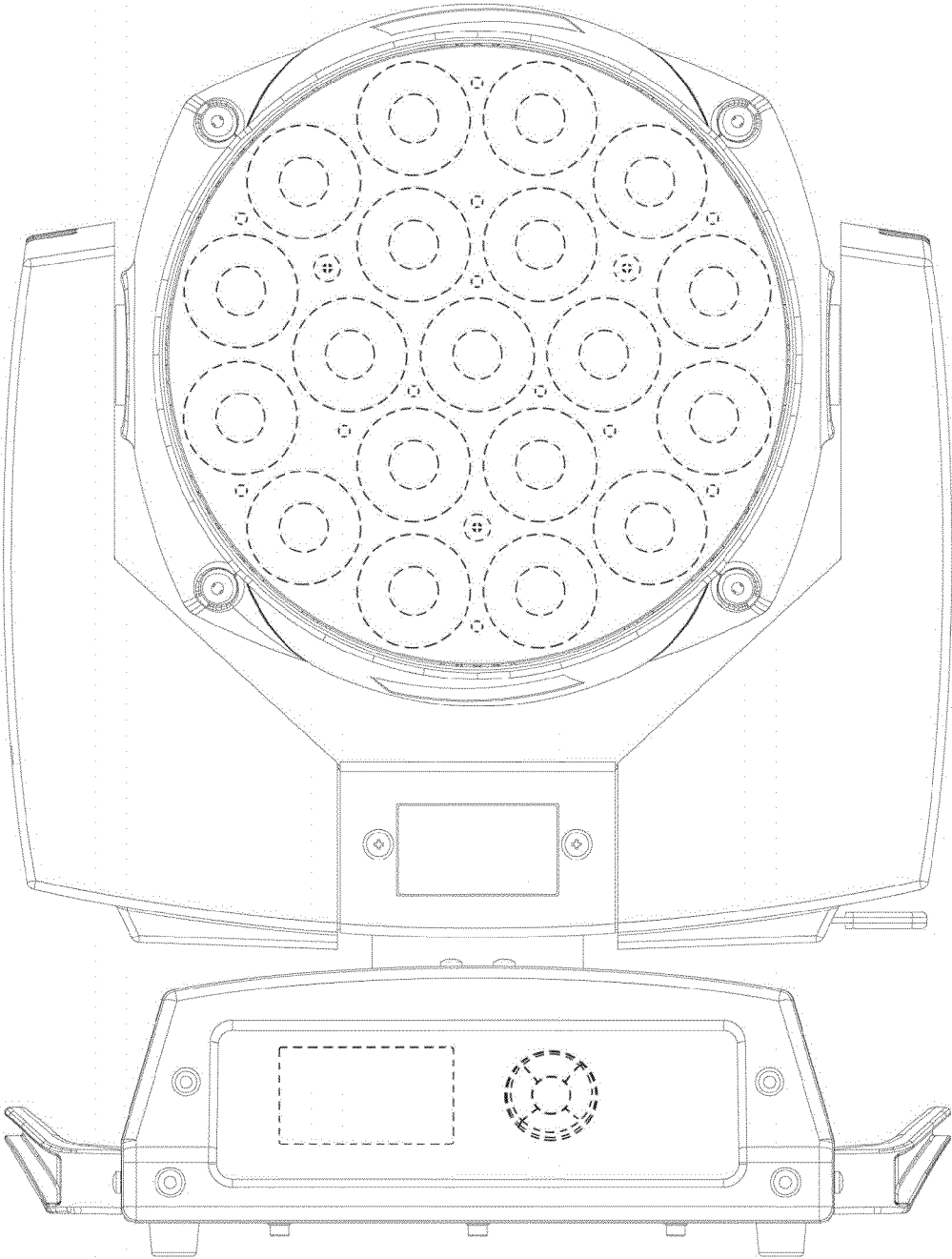


Fig. 3

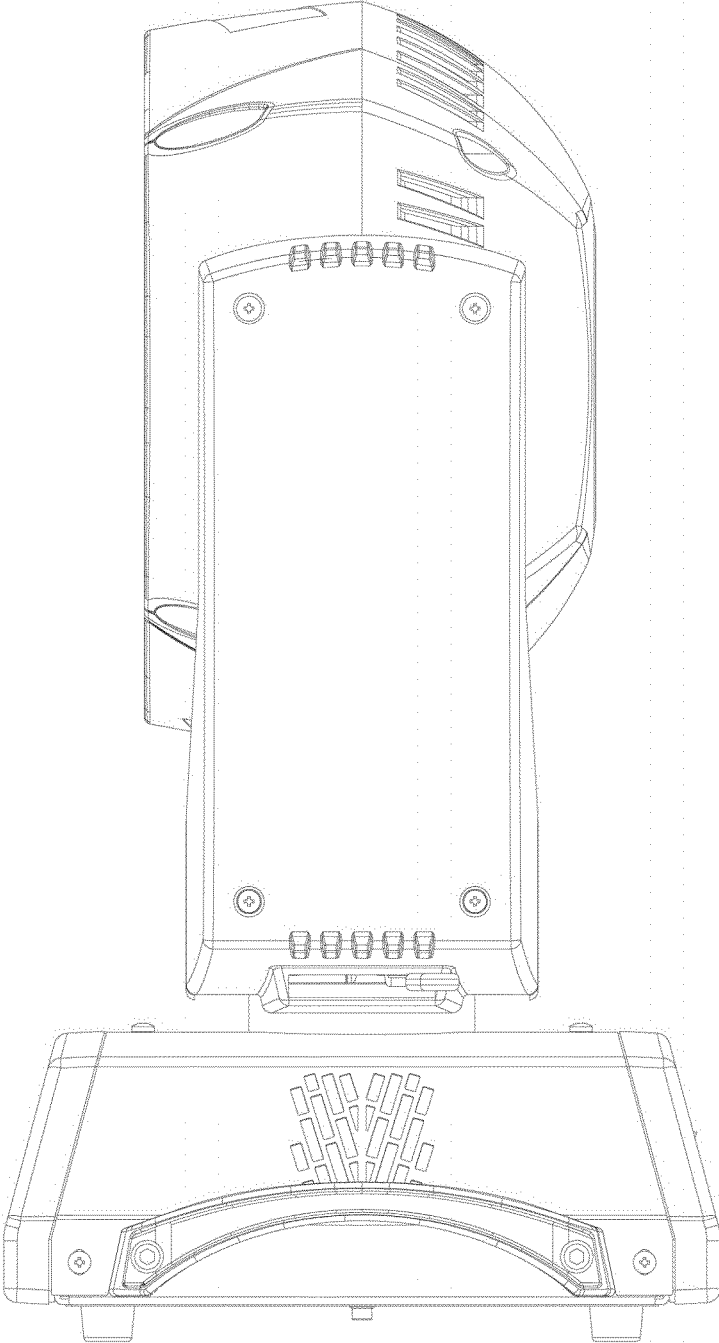


Fig. 4

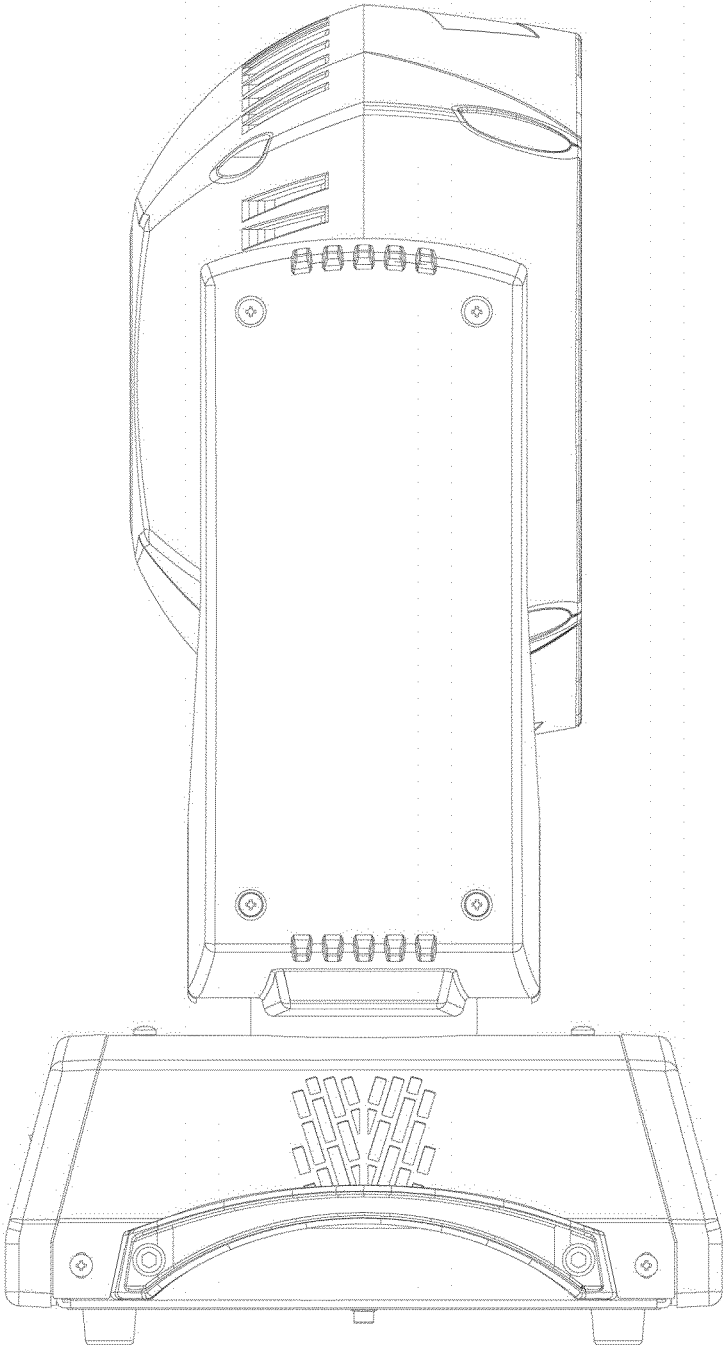


Fig. 5

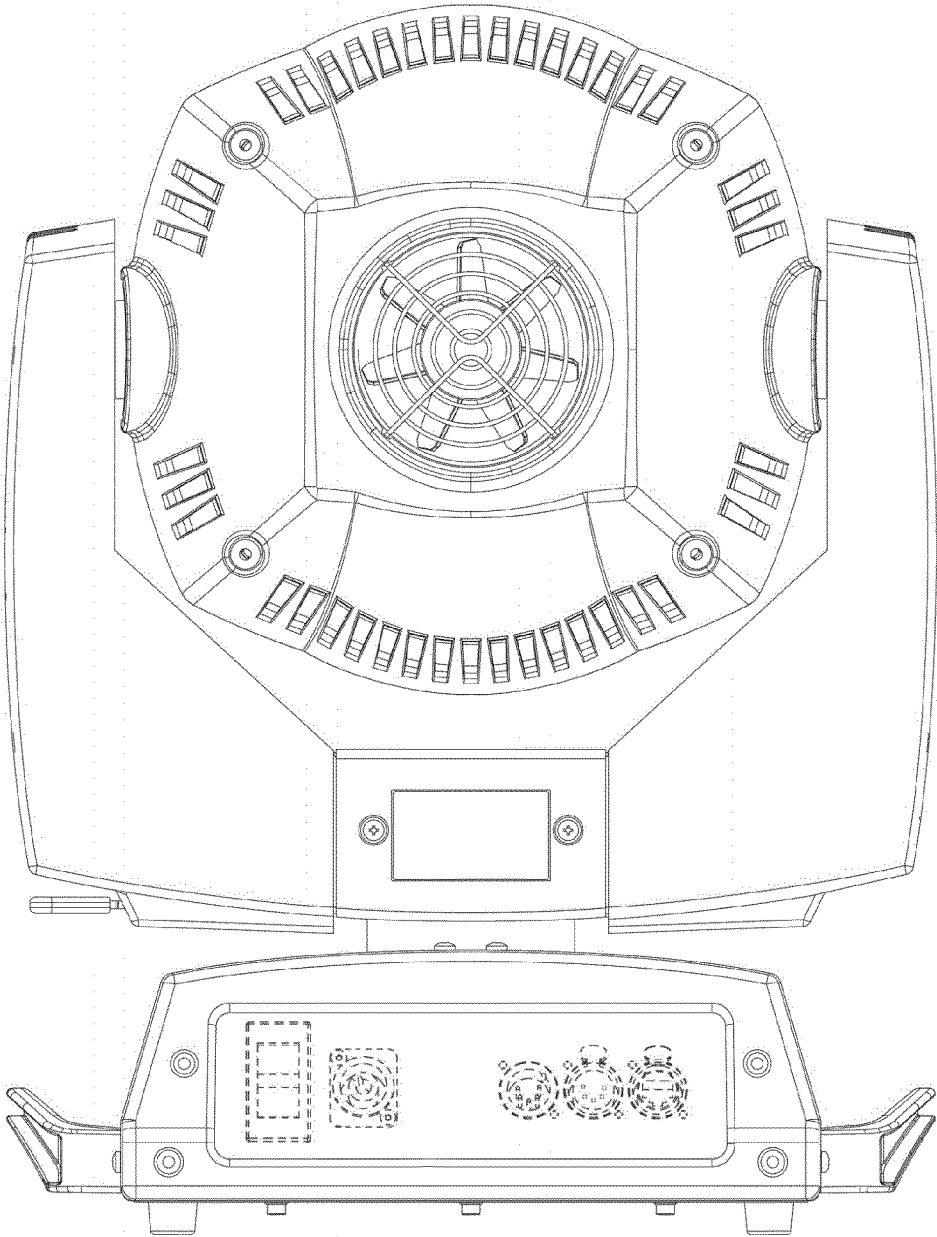


Fig. 6

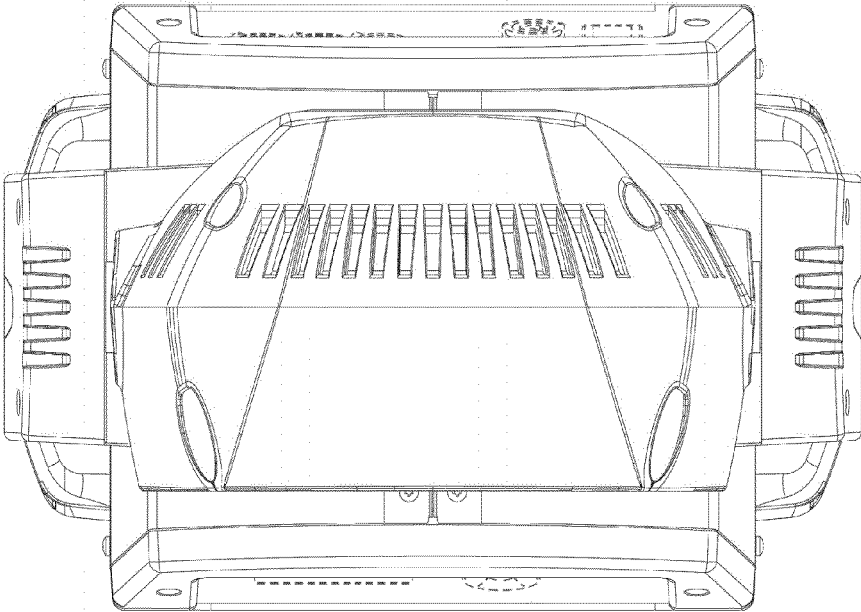


Fig. 7

