



US00D654207S

(12) **United States Design Patent**
Fletcher et al.

(10) **Patent No.:** **US D654,207 S**

(45) **Date of Patent:** **** Feb. 14, 2012**

(54) **LIGHTING FIXTURE**

(75) Inventors: **Robert Kenneth Yasuji Fletcher**,
Racine, WI (US); **Colin M. Graving**,
Oak Creek, WI (US); **Joseph R.**
Bokelman, Fitchburg, WI (US); **Thomas**
A. Littrell, Madison, WI (US)

(73) Assignee: **Electronic Theatre Controls, Inc.**,
Middleton, WI (US)

(**) Term: **14 Years**

(21) Appl. No.: **29/369,649**

(22) Filed: **Sep. 10, 2010**

(51) **LOC (9) Cl.** **26-03**

(52) **U.S. Cl.** **D26/85; D26/63**

(58) **Field of Classification Search** D26/63-65,
D26/72, 85, 128; 362/147, 269, 271, 273,
362/431, 432, 404-408

See application file for complete search history.

(56) **References Cited**

U.S. PATENT DOCUMENTS

D151,309 S *	10/1948	Witte	D23/336
D272,659 S *	2/1984	Medley	D26/63
4,598,345 A *	7/1986	Kleeman	362/233
D296,244 S *	6/1988	Donato	D26/63
D315,030 S *	2/1991	Jacobs et al.	D26/63
D348,744 S *	7/1994	Johnson et al.	D26/63

5,339,234 A *	8/1994	Russello et al.	362/419
5,345,371 A *	9/1994	Cunningham et al.	
5,446,637 A *	8/1995	Cunningham et al.	
D407,518 S *	3/1999	Yeh	D26/63
6,092,914 A *	7/2000	Esakoff et al.	
D437,956 S *	2/2001	Cogliano et al.	D26/63
D439,356 S *	3/2001	Martinson et al.	D26/63
6,744,693 B2 *	6/2004	Brockmann et al.	362/321
6,932,491 B2	8/2005	Esakoff	
D547,895 S *	7/2007	Yifei	D26/63
D574,987 S *	8/2008	Waldmann	D26/63

* cited by examiner

Primary Examiner — Clare E Heflin

(74) *Attorney, Agent, or Firm* — Michael Best & Friedrich LLP

(57) **CLAIM**

We claim the ornamental design for a lighting fixture, as shown and described.

DESCRIPTION

FIG. 1 is a perspective view of a lighting fixture embodying the present invention.

FIG. 2 is a right side view of the lighting fixture of FIG. 1.

FIG. 3 is a left side view of the lighting fixture of FIG. 1.

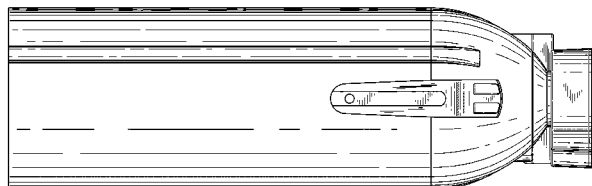
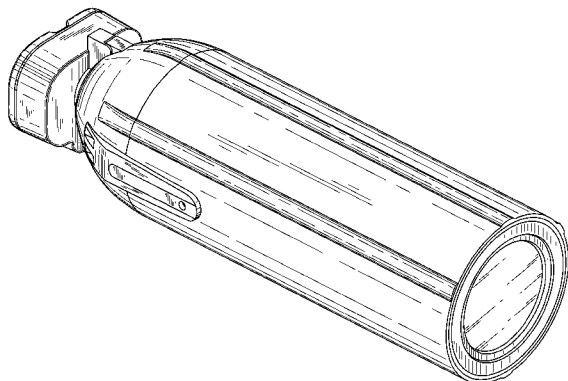
FIG. 4 is a top view of the lighting fixture of FIG. 1.

FIG. 5 is a bottom view of the lighting fixture of FIG. 1.

FIG. 6 is a front view of the lighting fixture of FIG. 1; and,

FIG. 7 is a rear view of the lighting fixture of FIG. 1.

1 Claim, 6 Drawing Sheets



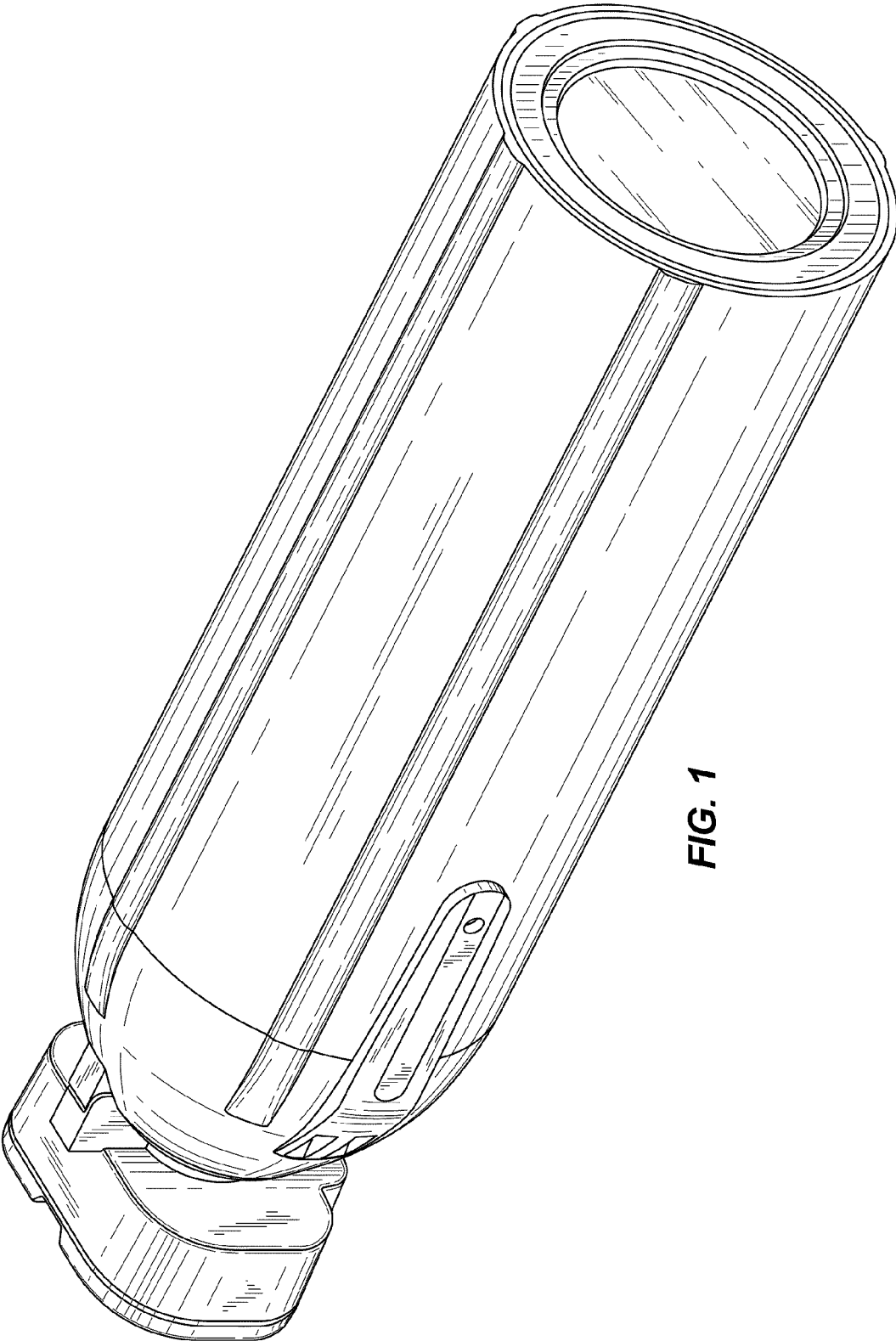


FIG. 1

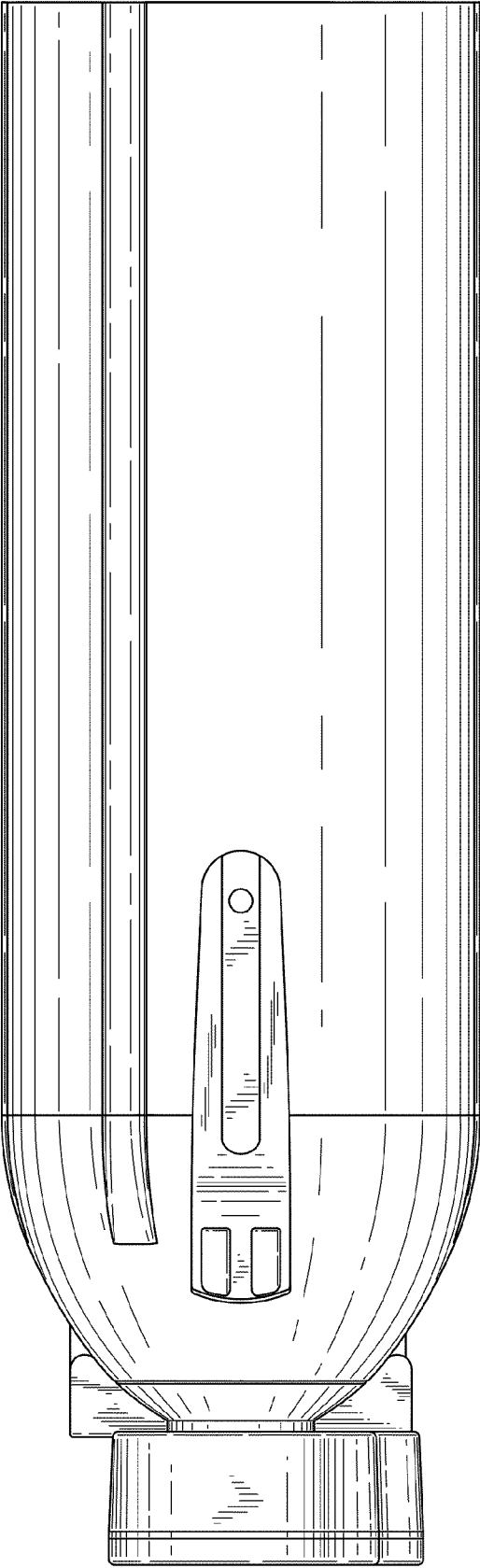


FIG. 2

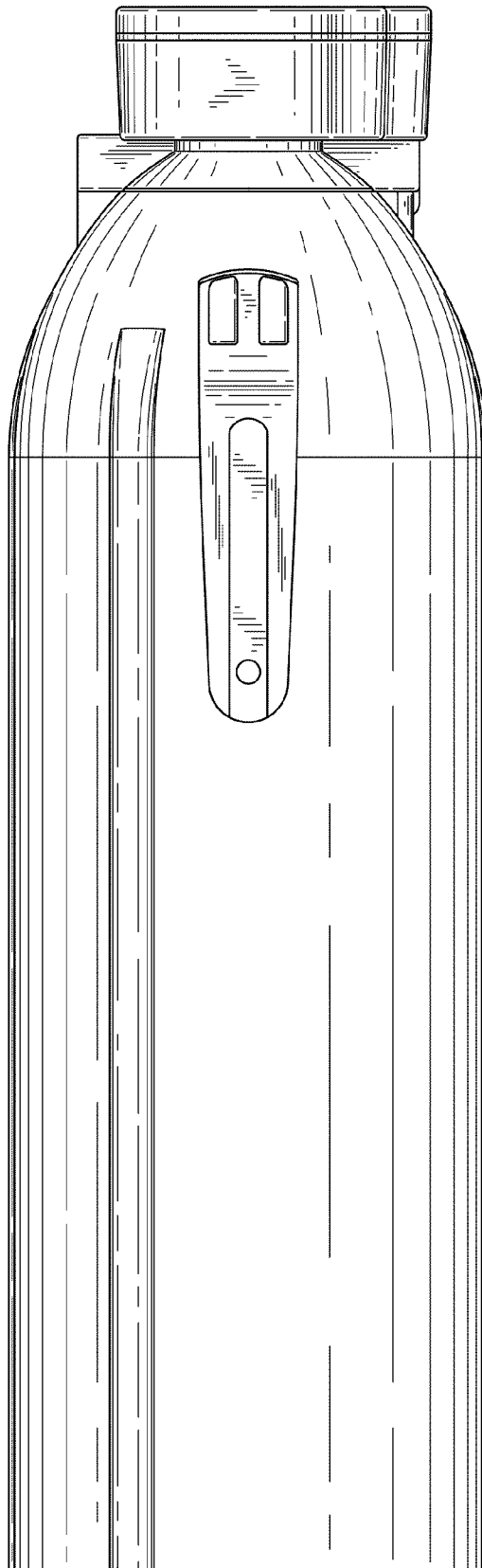


FIG. 3

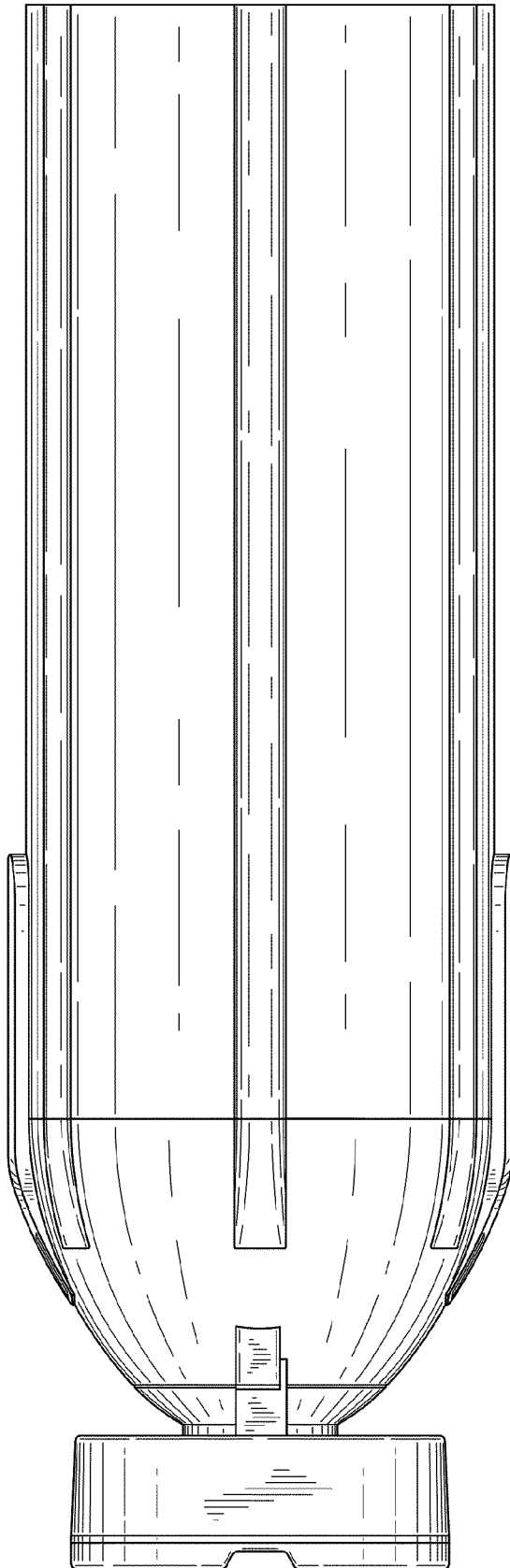


FIG. 4

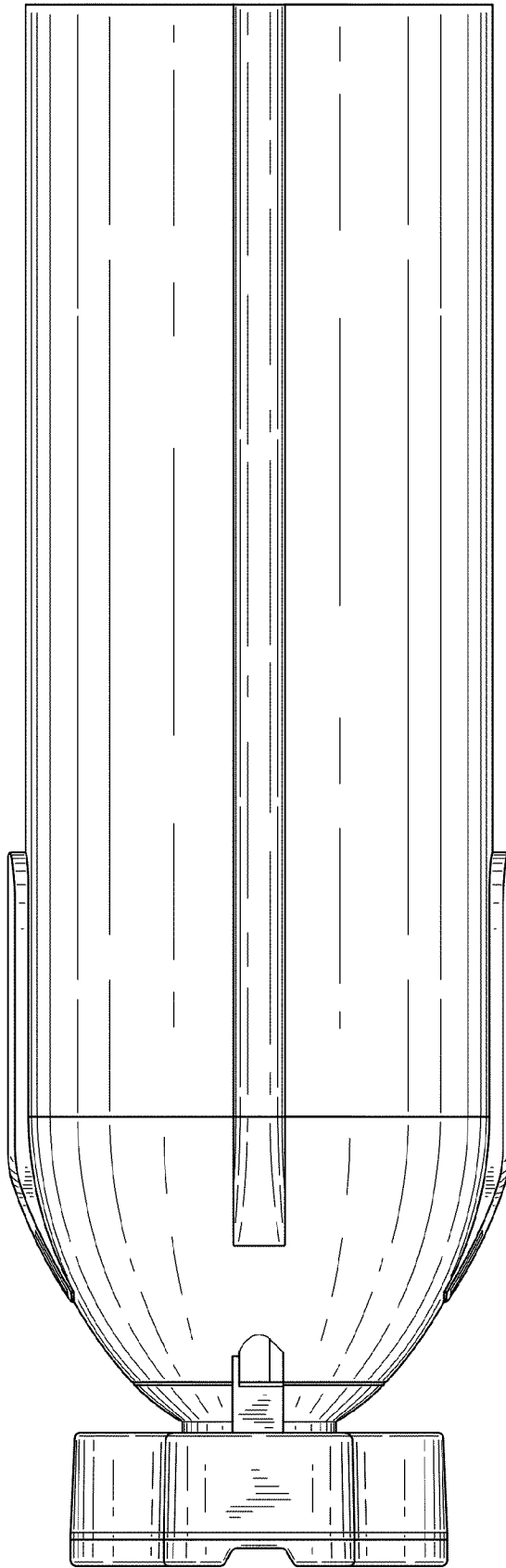


FIG. 5

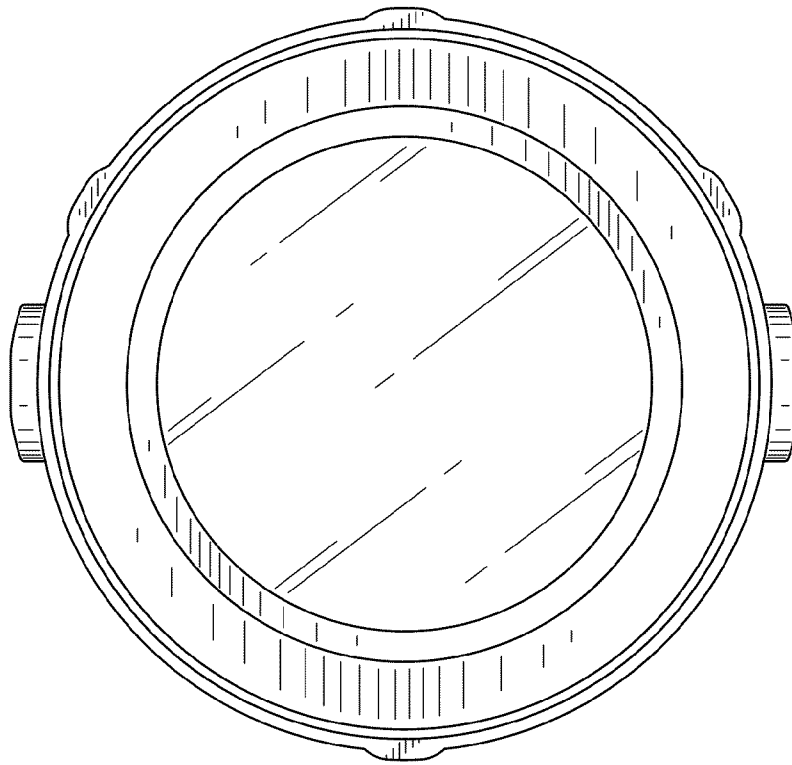


FIG. 6

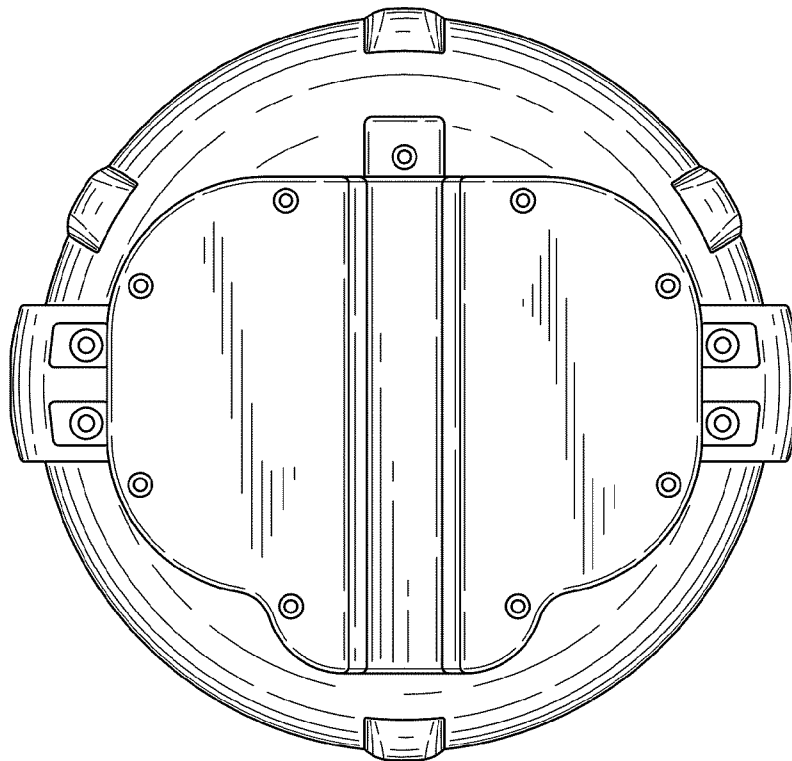


FIG. 7