



US00D639983S

(12) **United States Design Patent**  
**Quadri**

(10) **Patent No.:** **US D639,983 S**

(45) **Date of Patent:** **\*\* Jun. 14, 2011**

(54) **LIGHT PROJECTOR**

(75) Inventor: **Pasquale Quadri, Torre de' Roveri (IT)**

(73) Assignee: **Clay Paky S.p.A., Seriate (IT)**

(\*\*) Term: **14 Years**

(21) Appl. No.: **29/333,132**

(22) Filed: **Mar. 3, 2009**

(30) **Foreign Application Priority Data**

Sep. 5, 2008 (EM) ..... 000998067-0001

(51) **LOC (9) Cl.** ..... **26-05**

(52) **U.S. Cl.** ..... **D26/24; D26/61**

(58) **Field of Classification Search** ..... D26/24,  
D26/61, 63, 64, 65, 66; D16/221, 230, 232;  
362/269, 270, 275, 285, 287

See application file for complete search history.

(56) **References Cited**

**U.S. PATENT DOCUMENTS**

|           |    |   |         |                   |       |         |
|-----------|----|---|---------|-------------------|-------|---------|
| D324,431  | S  | * | 3/1992  | Richardson et al. | ..... | D26/63  |
| 5,176,442 | A  | * | 1/1993  | Richardson        | ..... | 362/286 |
| D372,550  | S  | * | 8/1996  | Stultz            | ..... | D26/63  |
| 6,817,737 | B2 | * | 11/2004 | Romano et al.     | ..... | 362/293 |
| 6,955,447 | B2 | * | 10/2005 | Lui               | ..... | 362/233 |
| D537,549  | S  | * | 2/2007  | Bleicher          | ..... | D26/24  |
| D558,252  | S  | * | 12/2007 | Matsumiya et al.  | ..... | D16/221 |
| D605,339  | S  | * | 12/2009 | Quadri            | ..... | D26/118 |

|              |    |   |         |                  |       |         |
|--------------|----|---|---------|------------------|-------|---------|
| D612,532     | S  | * | 3/2010  | Toft             | ..... | D26/138 |
| D618,377     | S  | * | 6/2010  | Toft             | ..... | D26/93  |
| D620,187     | S  | * | 7/2010  | Quadri           | ..... | D26/113 |
| 7,789,525    | B2 | * | 9/2010  | Vinther          | ..... | 362/190 |
| 2008/0062692 | A1 | * | 3/2008  | Andersen et al.  | ..... | 362/275 |
| 2009/0323364 | A1 | * | 12/2009 | Bornhorst et al. | ..... | 362/418 |

**FOREIGN PATENT DOCUMENTS**

|    |                |   |         |
|----|----------------|---|---------|
| EM | 000398474-0001 | * | 10/2005 |
| EM | 000918891-0001 | * | 4/2008  |

\* cited by examiner

*Primary Examiner* — Angela J Lee

(74) *Attorney, Agent, or Firm* — Workman Nydegger

(57) **CLAIM**

The ornamental design for a light projector, as shown and described.

**DESCRIPTION**

FIG. 1 is a perspective view of a light projector showing the new design;

FIG. 2 is a front elevational view thereof;

FIG. 3 is a rear elevational view thereof;

FIG. 4 is a right side elevational view thereof;

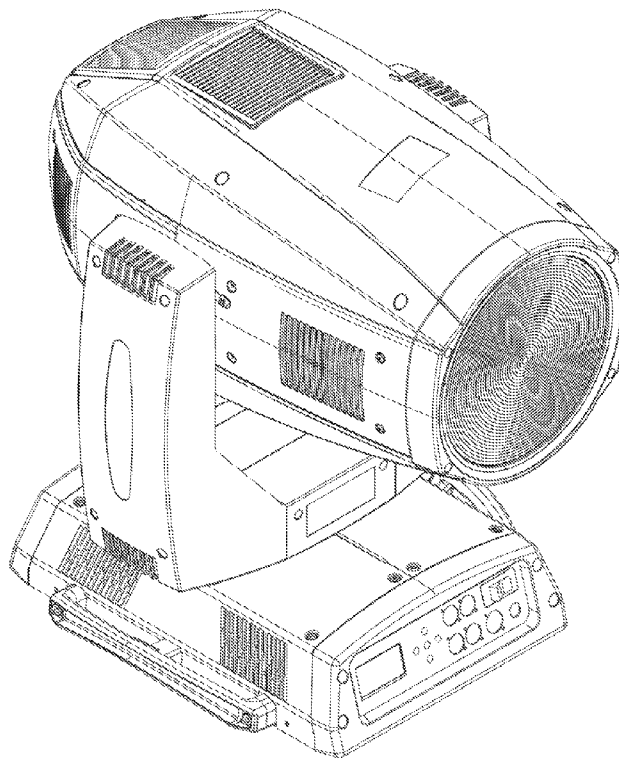
FIG. 5 is a left side elevational view thereof;

FIG. 6 is a top plan view thereof; and,

FIG. 7 is a bottom plan view thereof.

The portions of the light projector shown in broken lines form no part of the claimed design.

**1 Claim, 7 Drawing Sheets**



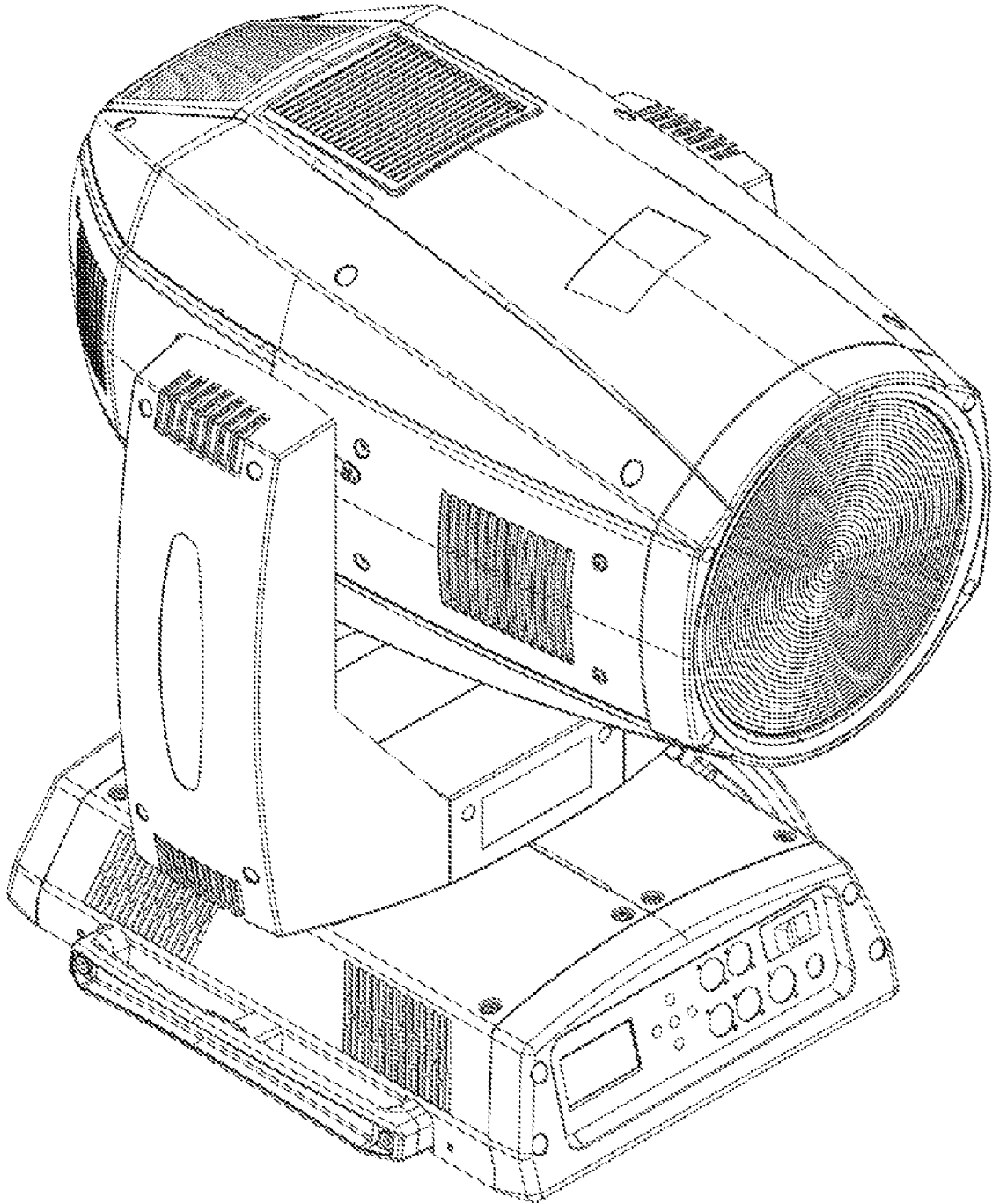


FIG. 1

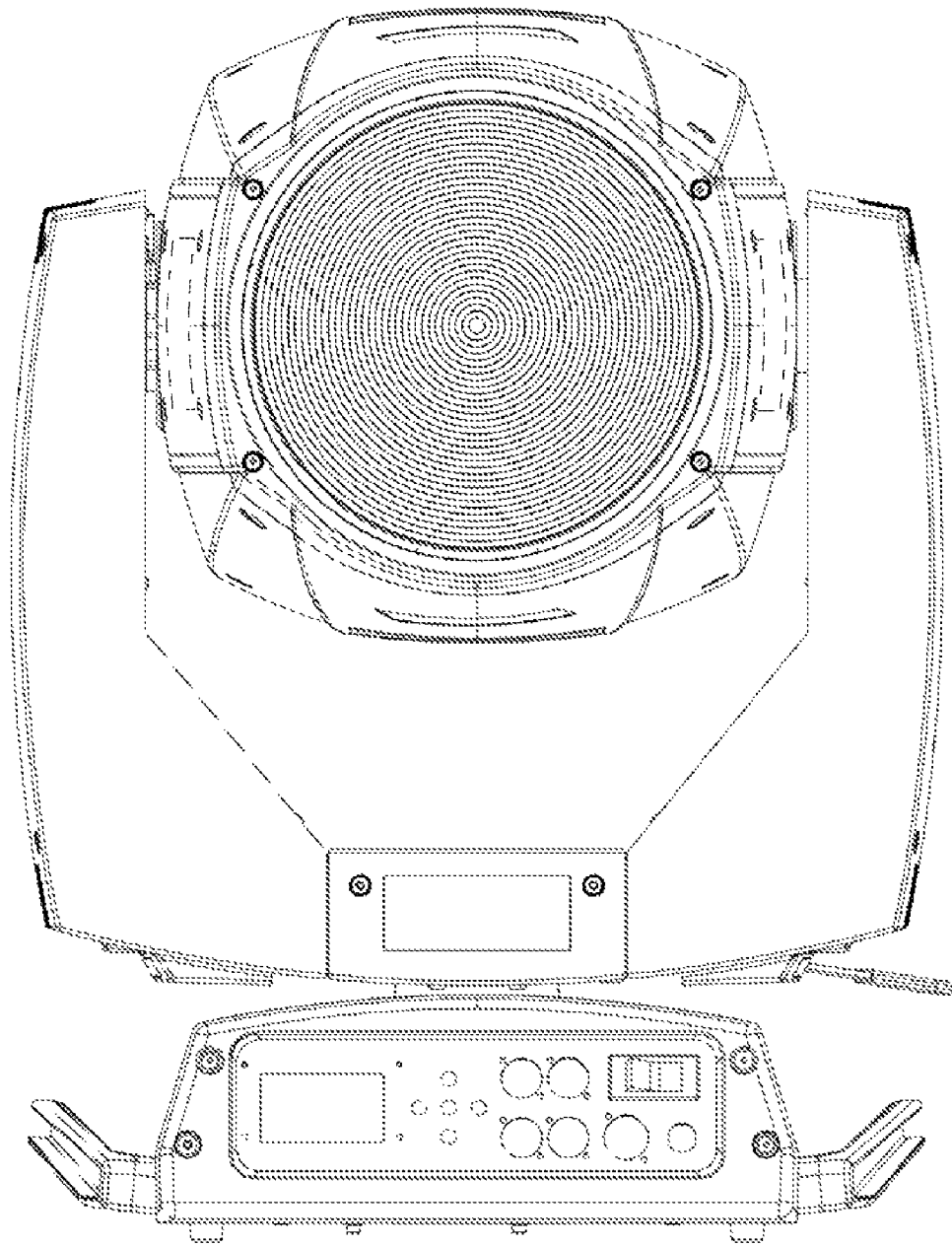
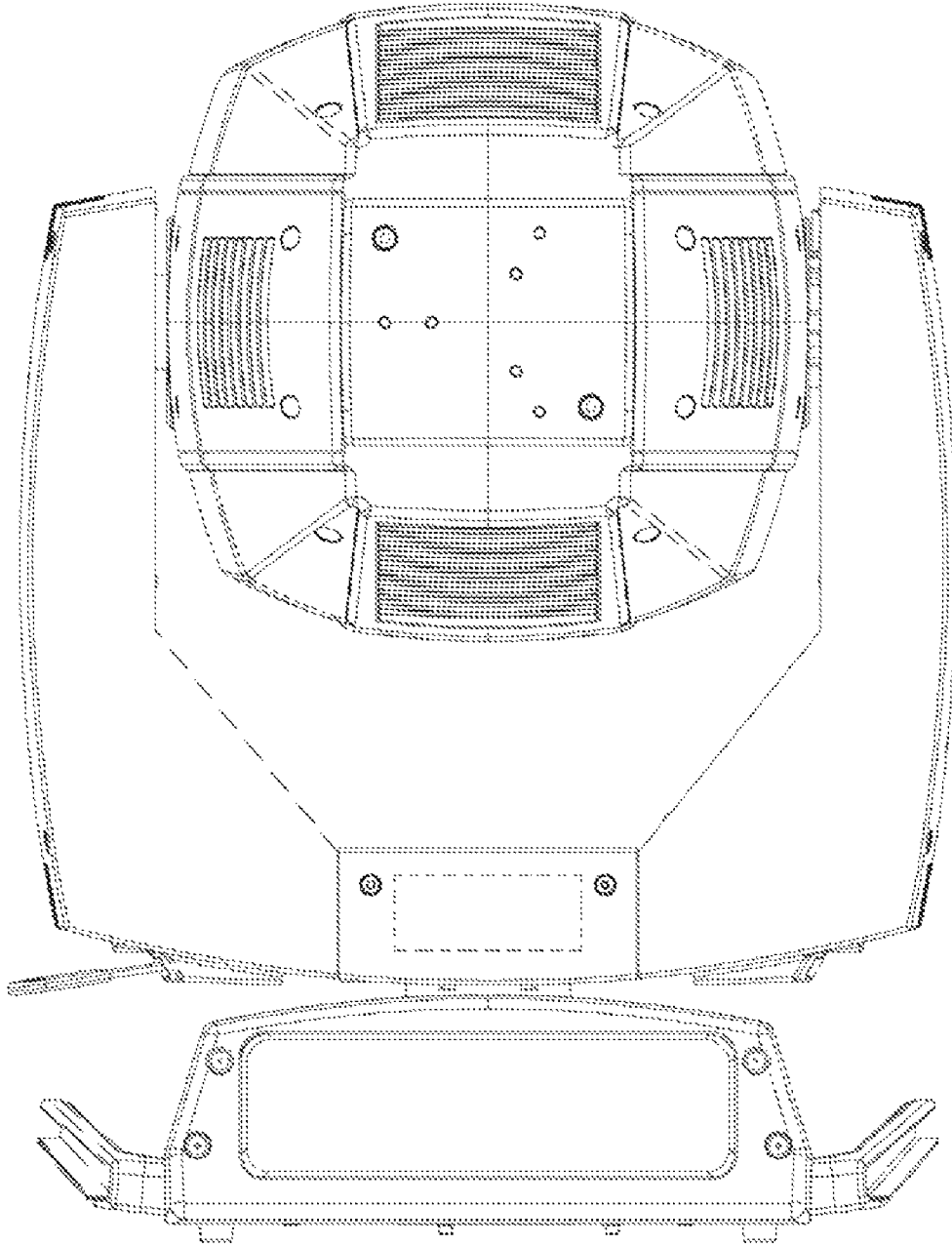


FIG. 2



**FIG. 3**

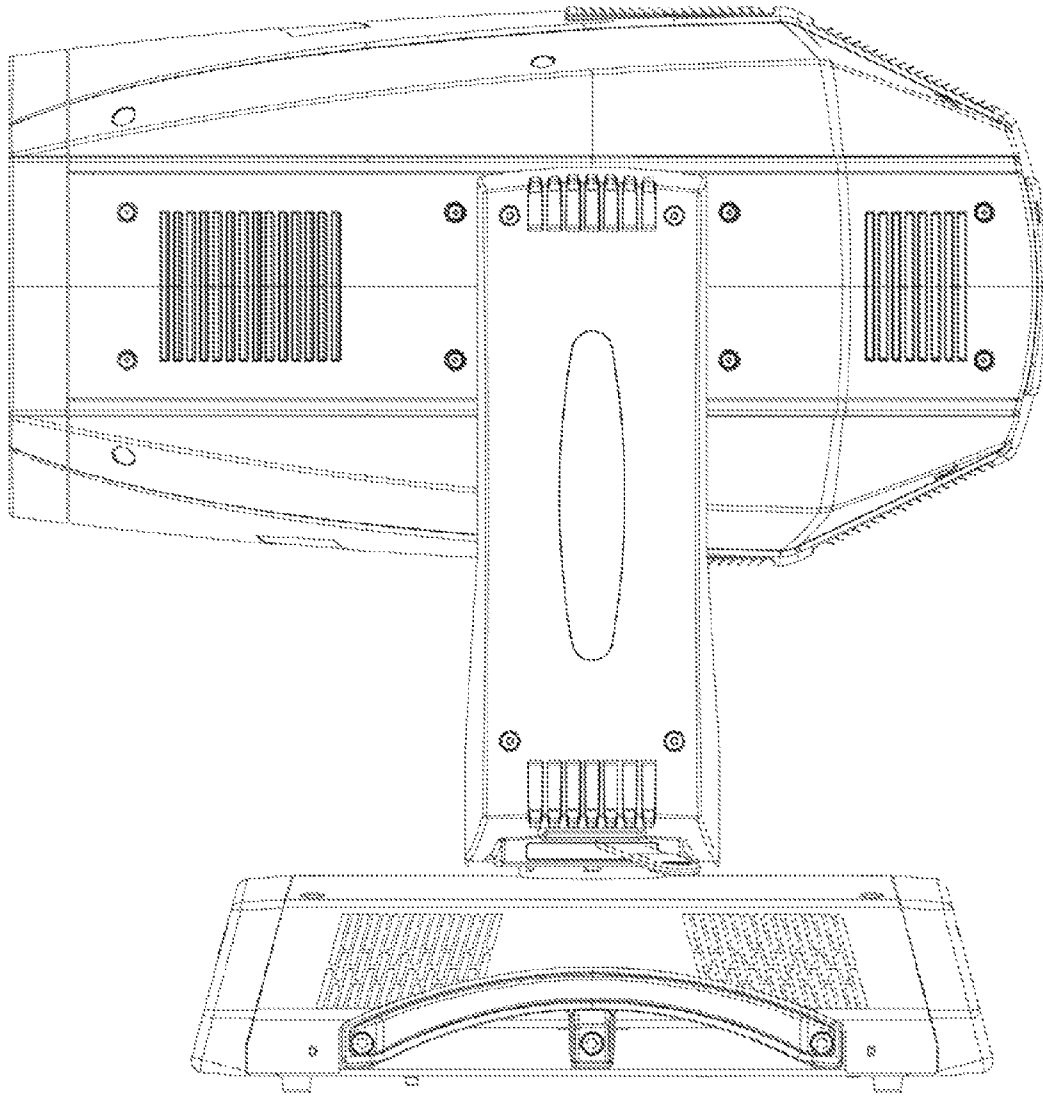


FIG. 4

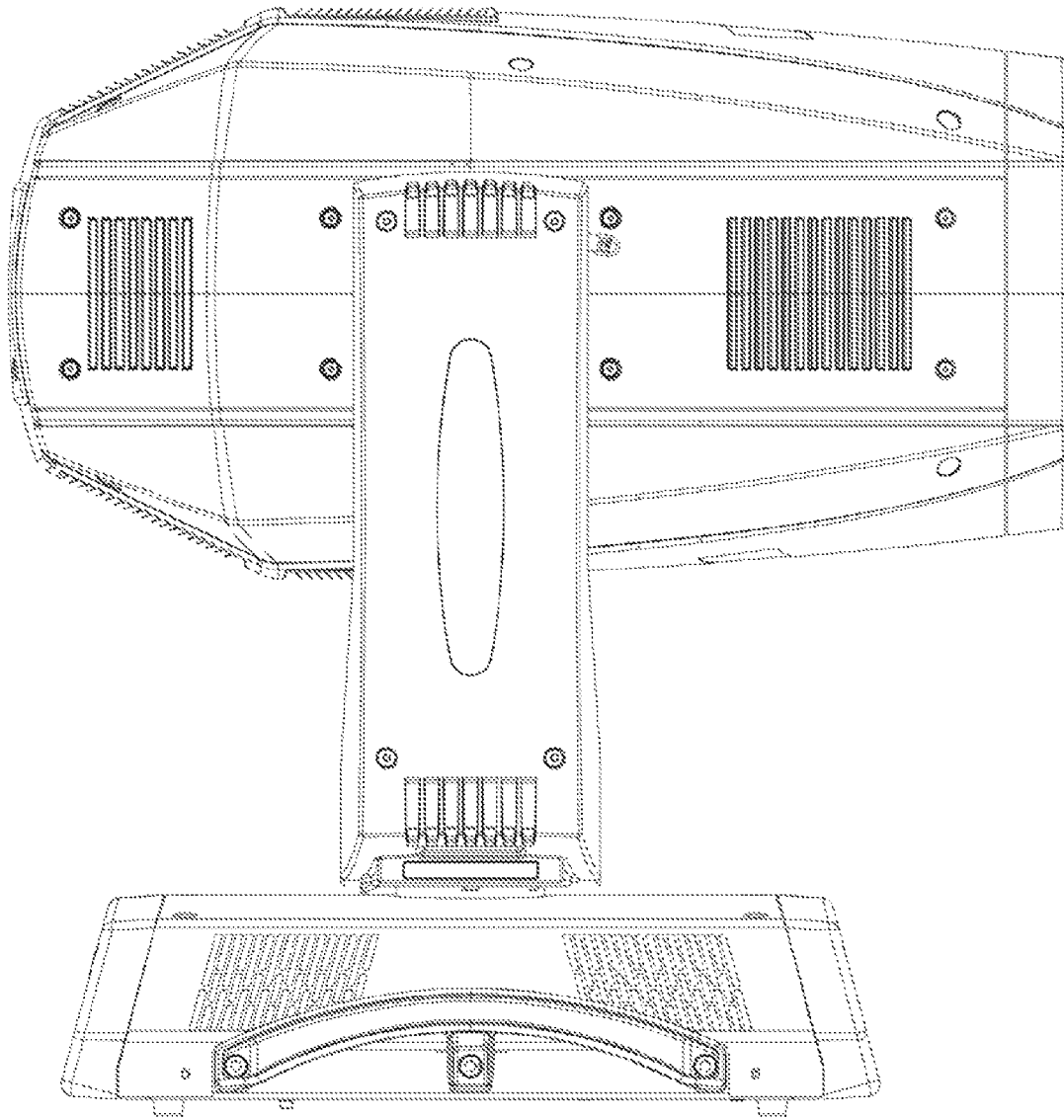


FIG. 5

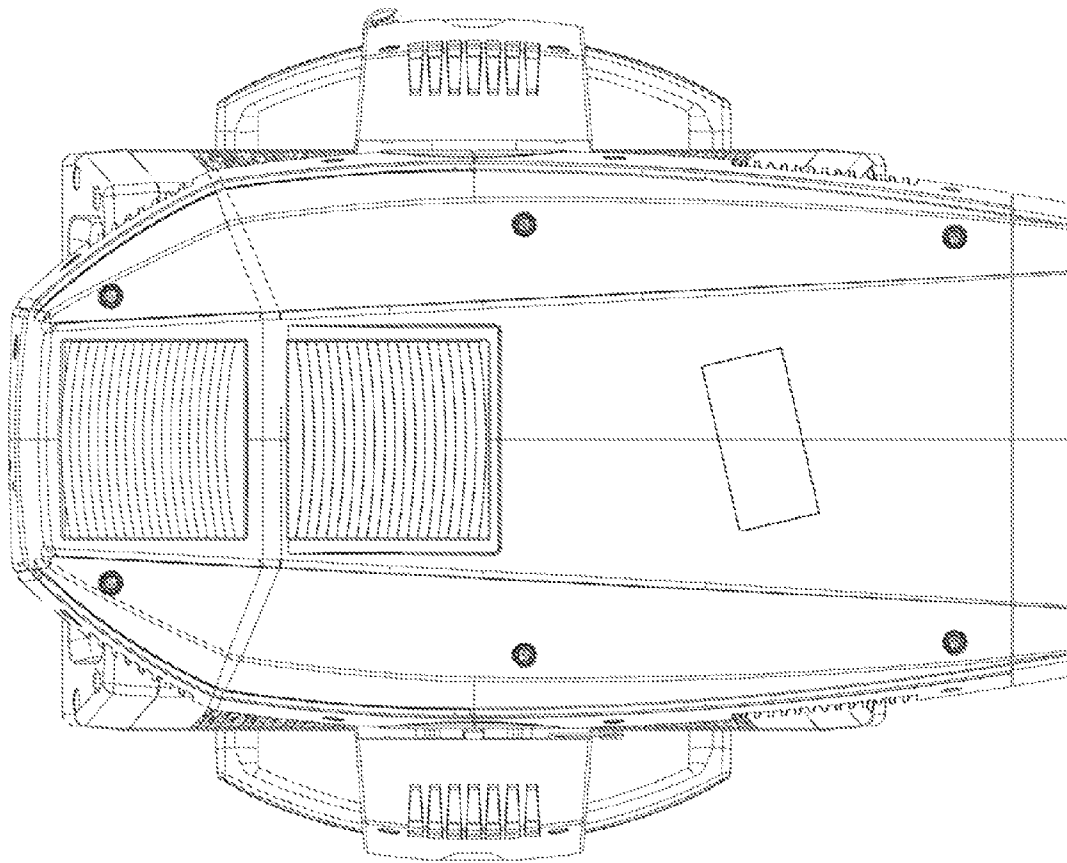


FIG. 6

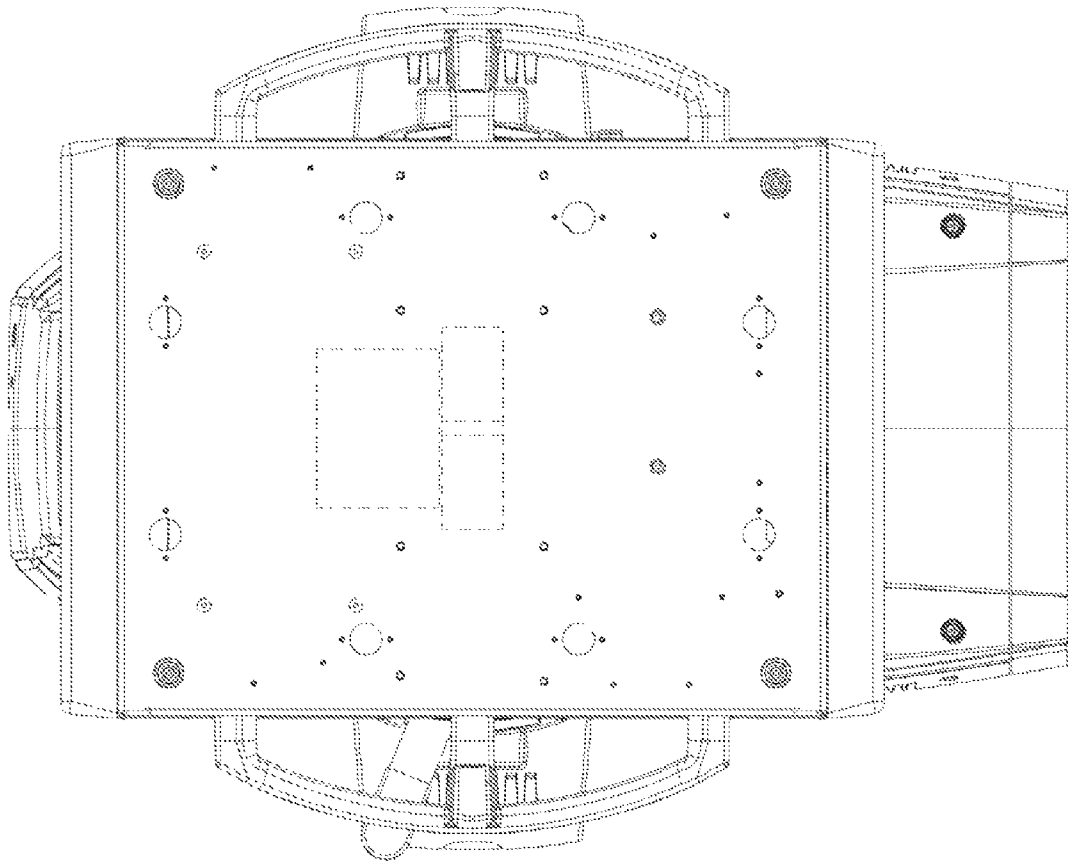


FIG. 7