



US00D638573S

(12) **United States Design Patent**
Toft

(10) **Patent No.:** **US D638,573 S**

(45) **Date of Patent:** **** May 24, 2011**

(54) **HANDLE FOR A LIGHTING FIXTURE**

(75) Inventor: **Uffe Kjaergaard Toft, Hojbjerg (DK)**

(73) Assignee: **Martin Professional A/S, Arhus (DK)**

(**) Term: **14 Years**

(21) Appl. No.: **29/321,145**

(22) Filed: **Jul. 11, 2008**

(30) **Foreign Application Priority Data**

Apr. 17, 2008 (EM) E-00057072-R

(51) **LOC (9) Cl.** **26-99**

(52) **U.S. Cl.** **D26/138**

(58) **Field of Classification Search** D26/136,
D26/63, 28, 60, 61, 142, 138, 141, 120, 118,
D26/88, 40, 37, 41, 42, 81, 84, 85, 113, 2,
D26/3, 123; 362/105, 475, 473, 219, 240,
362/244, 246, 249, 249.01-249.11, 179;
D13/147, 179, 180, 108, 134; 315/58; D34/27;
D9/425, 431, 756; D8/354; 40/553, 617,
40/492; D20/10, 42; D25/124; 439/22
See application file for complete search history.

(56) **References Cited**

U.S. PATENT DOCUMENTS

| | | | | |
|---------------|---------|----------------|-------|---------|
| D282,731 S * | 2/1986 | Kain | | D12/133 |
| D359,720 S * | 6/1995 | Jaramillo, Sr. | | D12/317 |
| D390,168 S * | 2/1998 | Haut | | D12/133 |
| 5,984,490 A * | 11/1999 | Leen | | 362/240 |
| D446,875 S * | 8/2001 | Leen | | D26/63 |
| D451,226 S * | 11/2001 | Leen | | D26/63 |
| D462,496 S * | 9/2002 | Koppes et al. | | D34/27 |
| D500,378 S * | 12/2004 | Kung | | D26/40 |

| | | | | |
|-------------------|---------|-----------------|-------|---------|
| D513,336 S * | 12/2005 | Kung | | D26/40 |
| D528,697 S * | 9/2006 | Lee | | D26/119 |
| D532,134 S * | 11/2006 | Lo et al. | | D26/40 |
| D558,369 S * | 12/2007 | O'Hern | | D26/42 |
| D568,512 S * | 5/2008 | Shiu | | D26/40 |
| D572,424 S * | 7/2008 | Presnell et al. | | D34/14 |
| 2006/0146523 A1 * | 7/2006 | Yuen | | 362/183 |
| 2007/0223239 A1 * | 9/2007 | Thompson et al. | | 362/413 |

* cited by examiner

Primary Examiner — Cathron C. Brooks

Assistant Examiner — Kevin K Rudzinski

(74) *Attorney, Agent, or Firm* — Dykema Gossett PLLC

(57) **CLAIM**

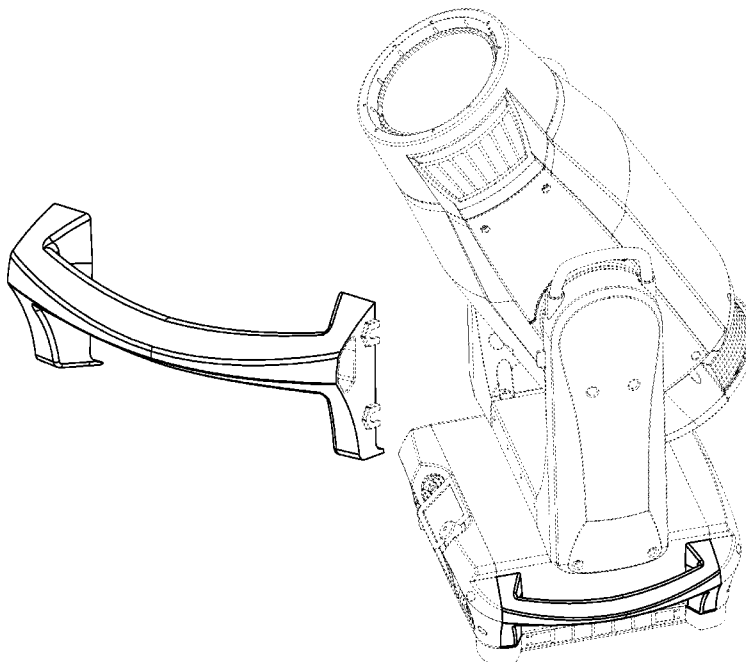
The ornamental design for a handle for a lighting fixture, as shown and described.

DESCRIPTION

FIG. 1 is a first perspective view of a handle for a lighting fixture showing my new design; FIG. 2 is a front elevational view thereof; FIG. 3 is a rear elevational view thereof; FIG. 4 is a left side elevational view thereof, the right side elevational view being a mirror image; FIG. 5 is a top plan view thereof; and FIG. 6 is a bottom plan view thereof; and FIG. 7 is a second perspective view thereof.

The broken lines showing elements of the handle for a lighting fixture in FIGS. 1-6 form no part of the claimed design. The elements represented by the broken lines in FIGS. 1-6 may not be visible during normal use. The broken lines showing elements of the lighting fixture in FIG. 7 form no part of the claimed design.

1 Claim, 7 Drawing Sheets



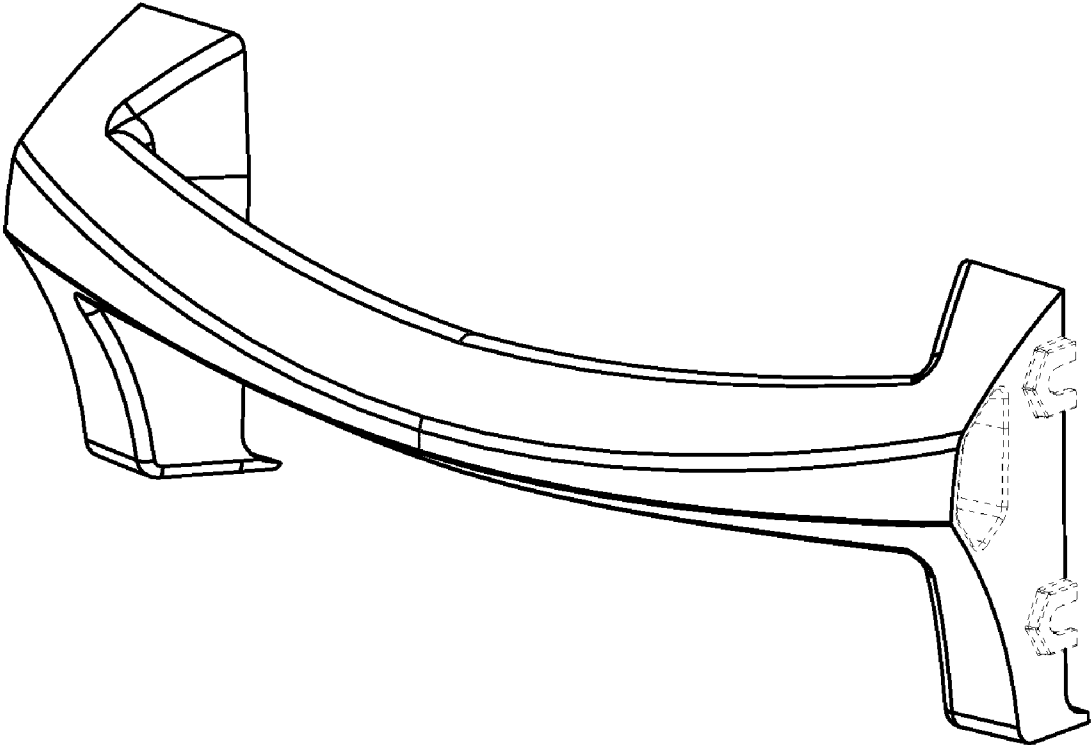


FIG. 1

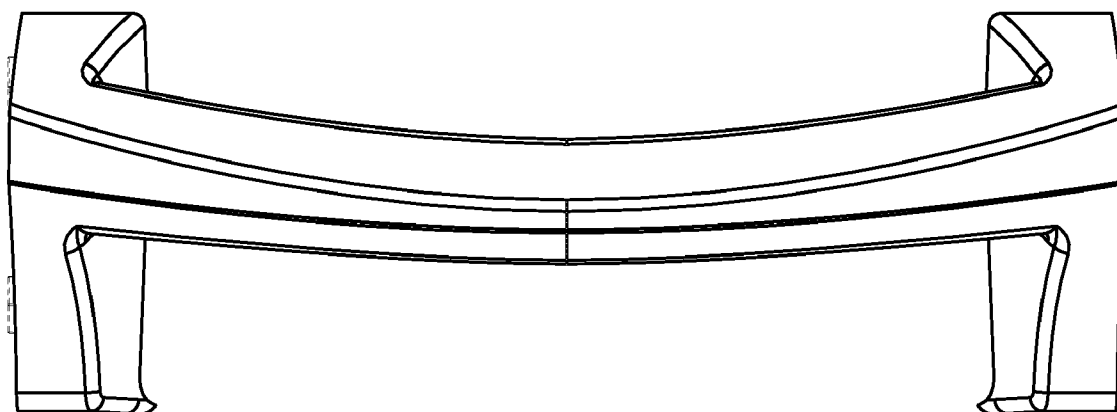


FIG. 2

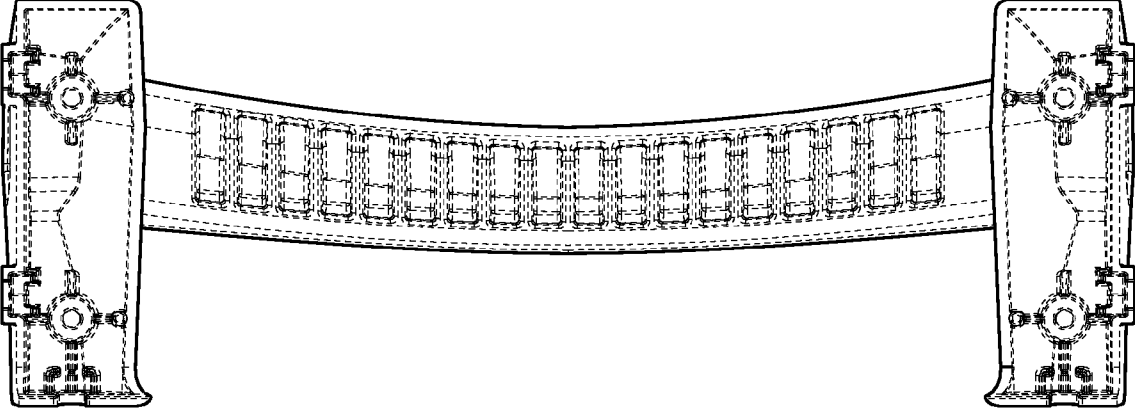


Fig. 3

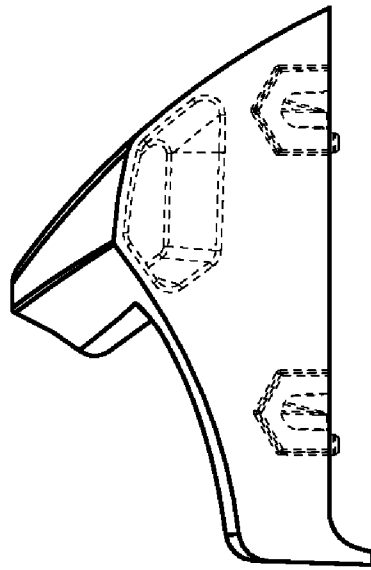


Fig. 4

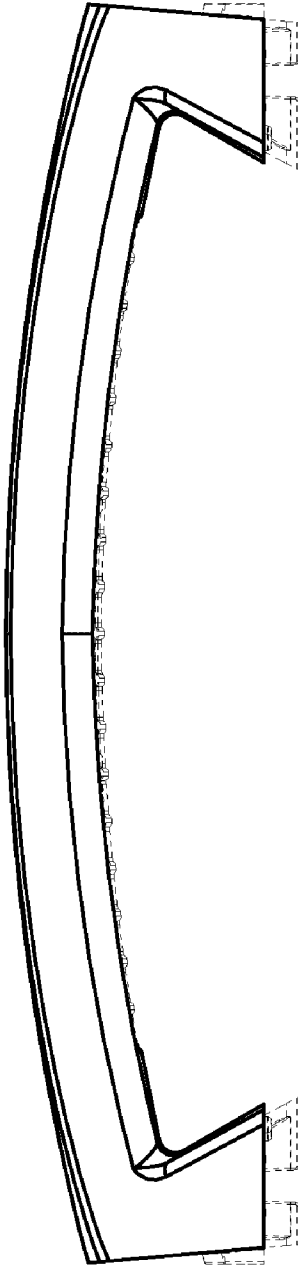


FIG. 5

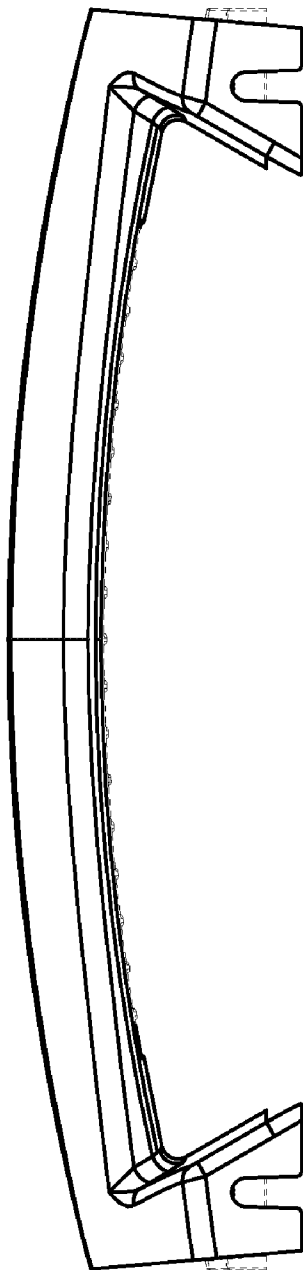


FIG. 6

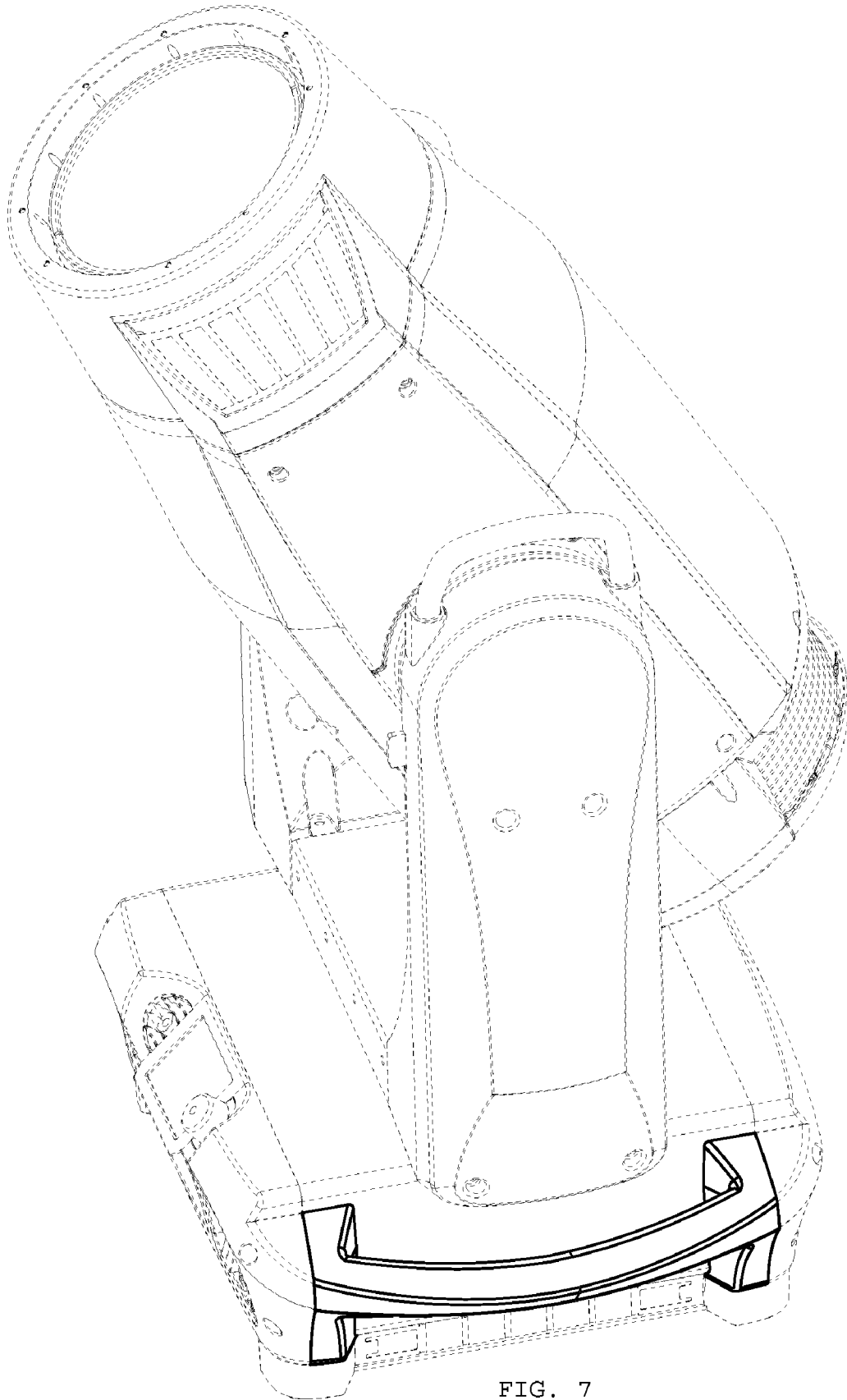


FIG. 7