



US00D620187S

(12) **United States Design Patent**  
**Quadri**

(10) **Patent No.:** **US D620,187 S**

(45) **Date of Patent:** **\*\* \*Jul. 20, 2010**

(54) **SPOTLIGHT**

(75) Inventor: **Pasquale Quadri, Torre de' Roveri (IT)**

(73) Assignee: **Clay Paky S.p.A., Seriate (IT)**

(\* ) Notice: This patent is subject to a terminal disclaimer.

(\*\*) Term: **14 Years**

(21) Appl. No.: **29/301,607**

(22) Filed: **Mar. 7, 2008**

(30) **Foreign Application Priority Data**

Sep. 7, 2007 (EM) ..... 000785639

(51) **LOC (9) Cl.** ..... **26-99**

(52) **U.S. Cl.** ..... **D26/113; D26/63**

(58) **Field of Classification Search** ..... D26/24,  
D26/37, 43, 44, 51, 56, 60-66, 71, 72, 85-93,  
D26/107, 113, 118, 138, 142, 135, 128, 2,  
D26/78, 3, 26, 49, 59, 75, 79, 129, 130, 132,  
D26/133, 134, 136, 137, 140, 141, 152, 153,  
D26/40; 362/410, 413, 414, 419, 427, 285,  
362/287, 282, 277, 275, 274, 271, 270, 269,  
362/431, 401, 402, 251, 147, 432, 362, 155-157,  
362/648, 250, 283, 233, 425, 371, 260, 217,  
362/264, 321, 257, 606, 561, 580, 125, 126,  
362/181, 183, 649, 651, 657, 658, 659, 293,  
362/294, 319, 370, 421; D13/110, 133, 139.2,  
D13/136, 134; D16/135, 221, 228, 230,  
D16/232, 231; D10/106; 439/242, 241,  
439/239, 236, 232; 353/82, 31, 46, 49, 98,  
353/119, 71; 206/591; 250/372

See application file for complete search history.

(56) **References Cited**

**U.S. PATENT DOCUMENTS**

498,345 A \* 5/1893 Wilmshurst ..... 84/269  
D264,344 S \* 5/1982 Miller et al. .... D16/221

D324,431 S \* 3/1992 Richardson et al. .... D26/63  
D335,193 S \* 4/1993 Shaanan et al. .... D26/63  
D359,574 S \* 6/1995 Bornhorst et al. .... D26/65  
5,515,254 A \* 5/1996 Smith et al. .... 362/293  
D372,550 S \* 8/1996 Stultz ..... D26/63  
5,882,107 A \* 3/1999 Bornhorst et al. .... 362/281  
D413,995 S \* 9/1999 Lee et al. .... D26/63  
D417,300 S \* 11/1999 Stacy et al. .... D26/63  
D439,356 S \* 3/2001 Martinson et al. .... D26/63  
D457,673 S \* 5/2002 Martinson et al. .... D26/63  
6,695,452 B2 \* 2/2004 Panasewicz et al. .... 353/119  
6,902,302 B2 \* 6/2005 Foster ..... 362/324  
D546,497 S \* 7/2007 Lehman et al. .... D26/138  
D551,786 S \* 9/2007 Smith ..... D26/28  
D562,486 S \* 2/2008 Luke ..... D26/61  
7,341,363 B1 \* 3/2008 Richardson ..... 362/396  
D575,424 S \* 8/2008 Gebhard et al. .... D26/28  
2002/0060911 A1 \* 5/2002 Brockmann et al. .... 362/321  
2002/0159262 A1 \* 10/2002 Romano et al. .... 362/345  
2004/0095761 A1 \* 5/2004 Esakoff ..... 362/226  
2005/0047142 A1 \* 3/2005 Lui ..... 362/275  
2008/0062692 A1 \* 3/2008 Andersen et al. .... 362/275

\* cited by examiner

*Primary Examiner*—Cathron C Brooks  
*Assistant Examiner*—Kevin K Rudzinski  
(74) *Attorney, Agent, or Firm*—Ladas and Parry LLP

(57) **CLAIM**

The ornamental design for a spotlight, as shown.

**DESCRIPTION**

FIG. 1 is a rear elevation view of my spotlight;  
FIG. 2 is a left side elevation thereof  
FIG. 3 is a front elevation thereof;  
FIG. 4 is a right side elevation thereof;  
FIG. 5 is a top plan view thereof;  
FIG. 6 is a bottom plan view thereof; and,  
FIG. 7 is at top and side perspective view thereof.

**1 Claim, 7 Drawing Sheets**

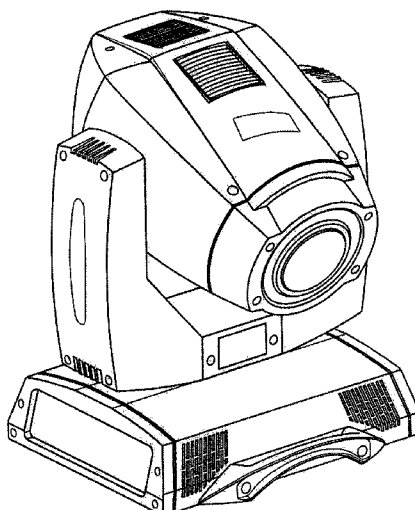


FIG. 1

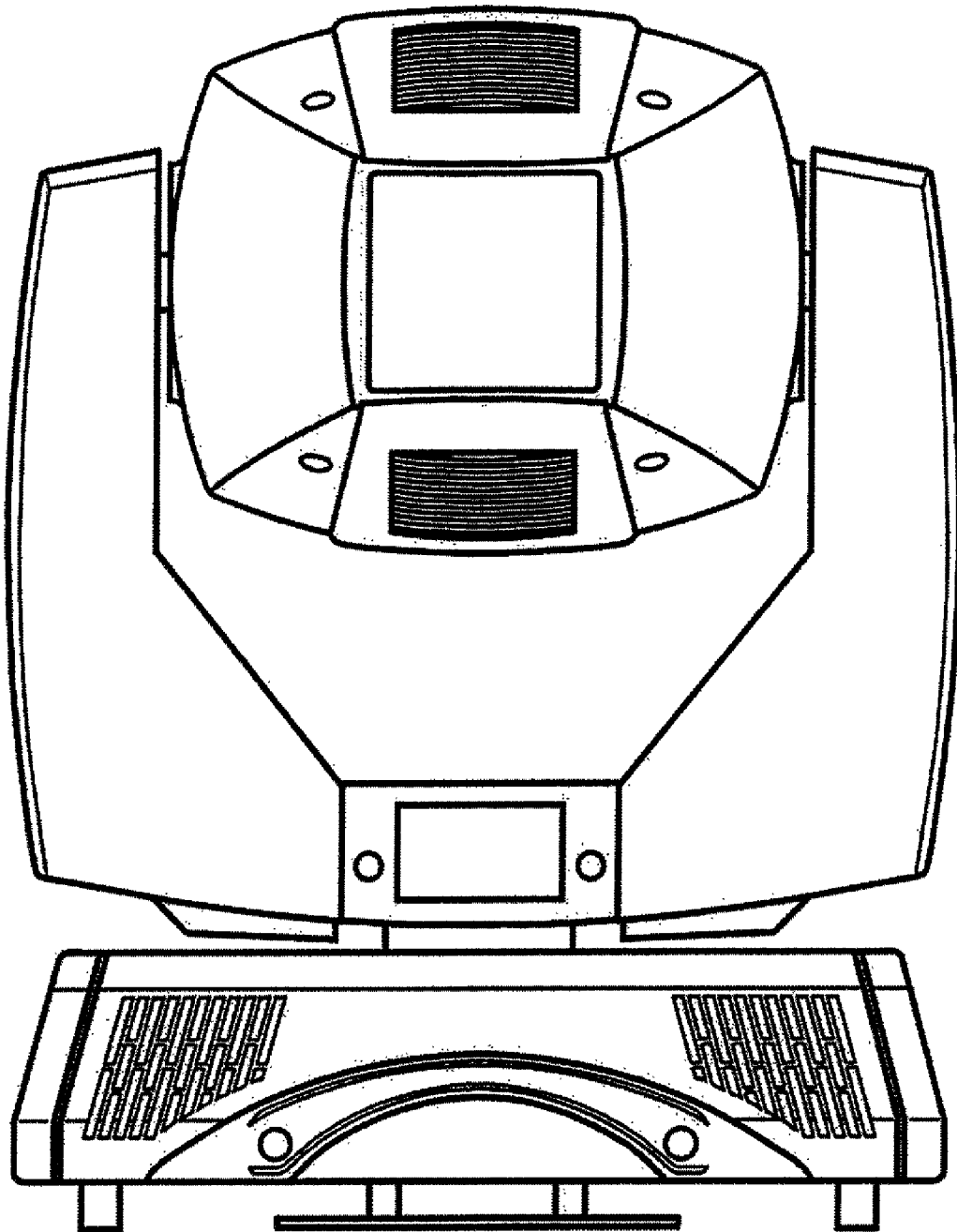


FIG. 2

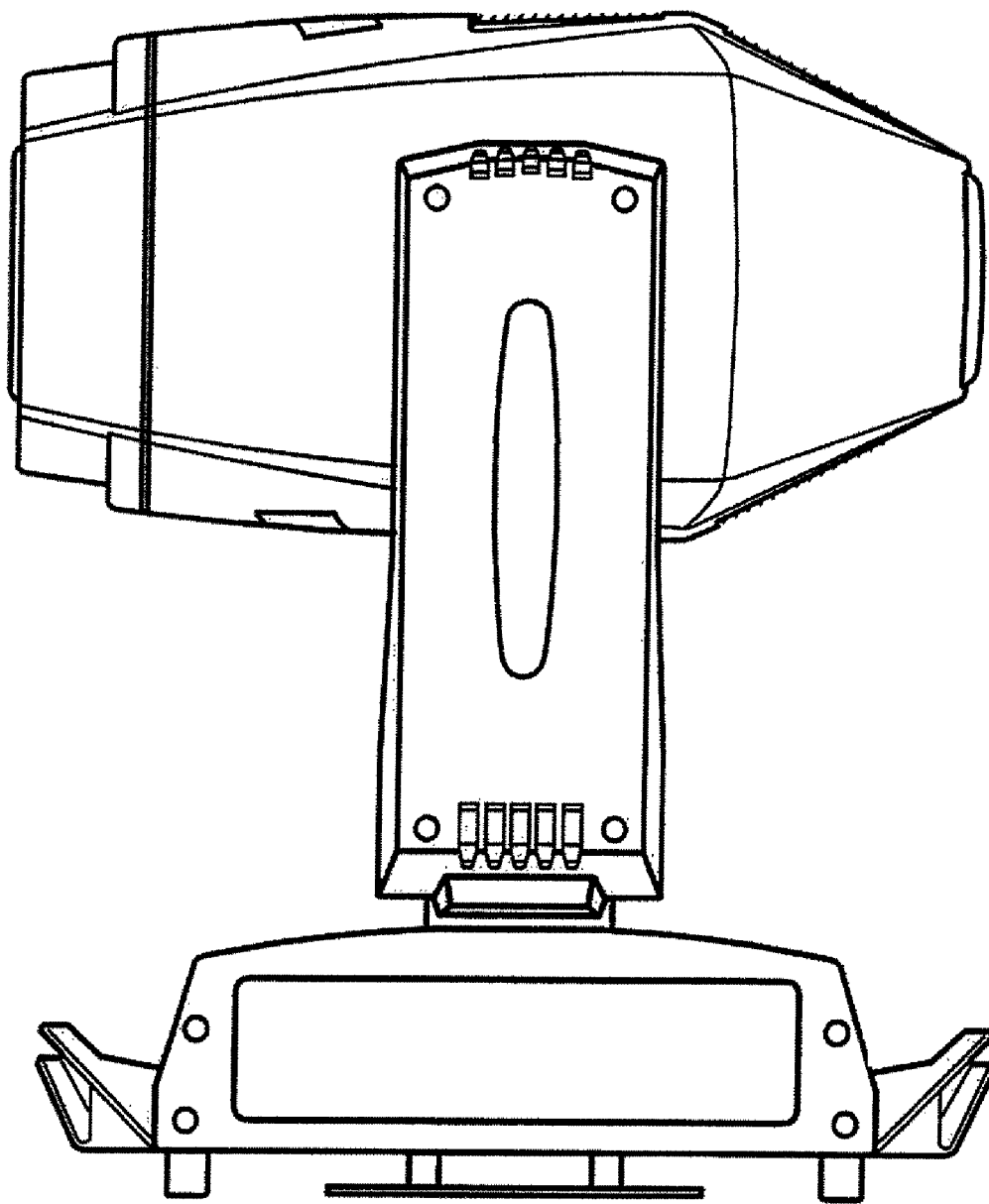


FIG. 3

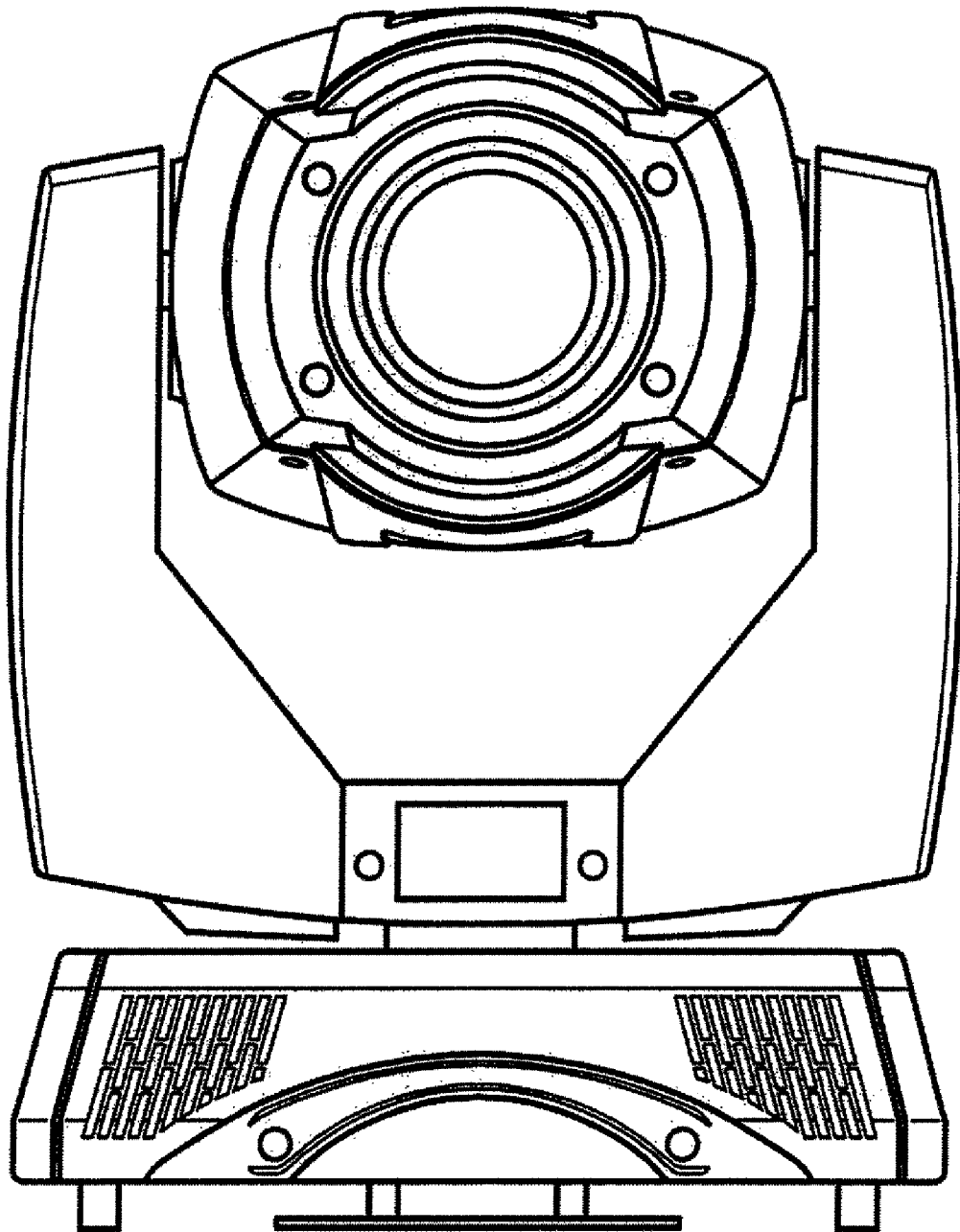


FIG. 4

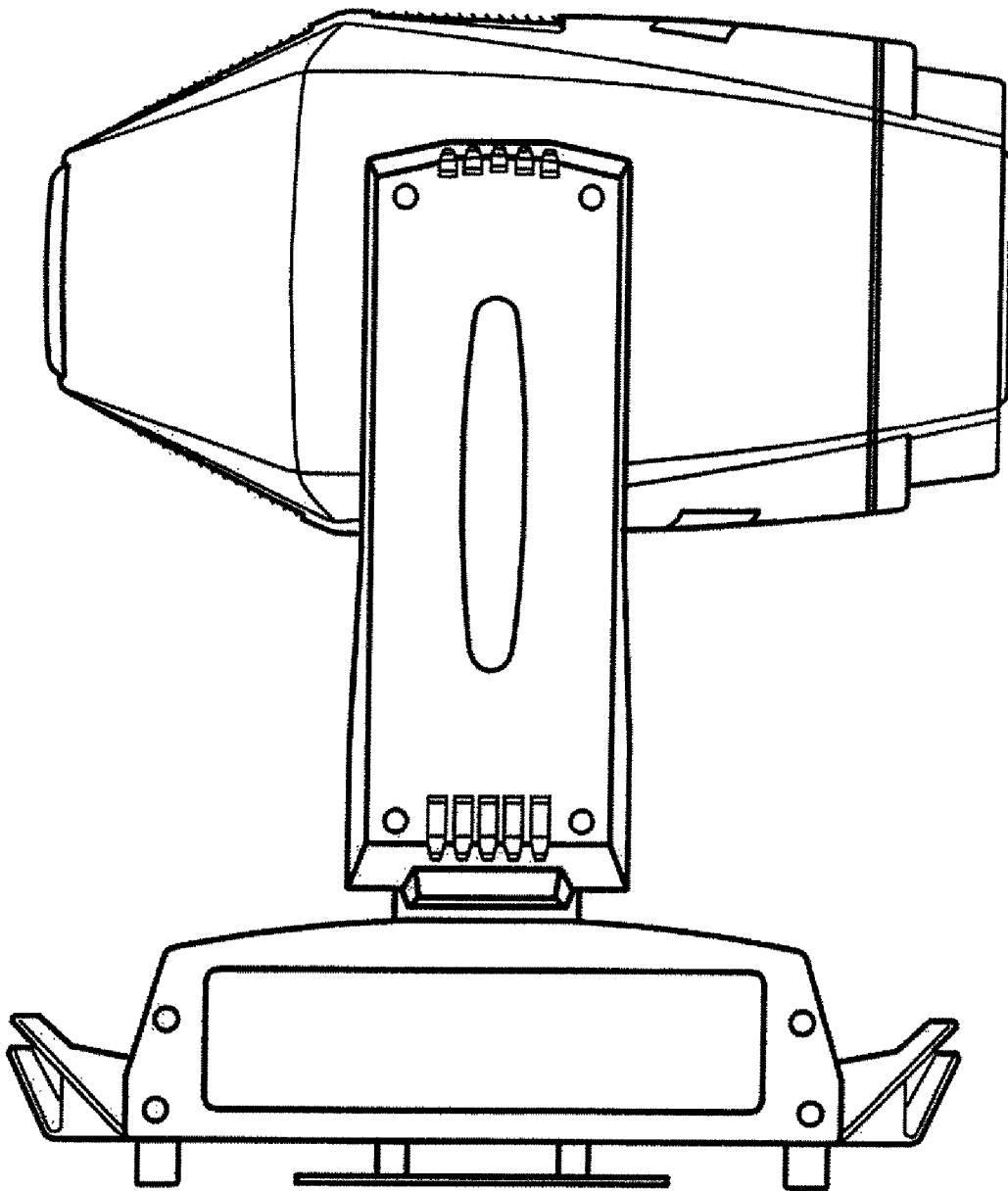


FIG. 5

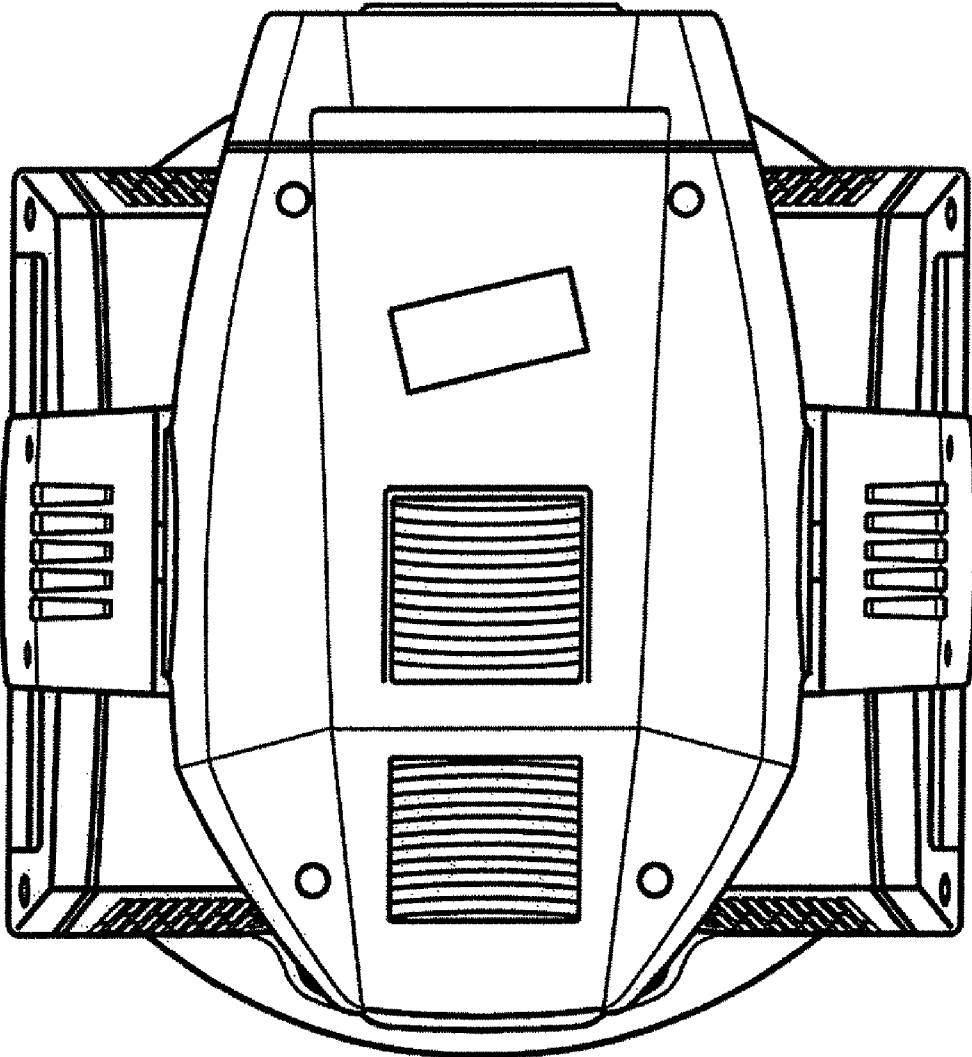


FIG. 6

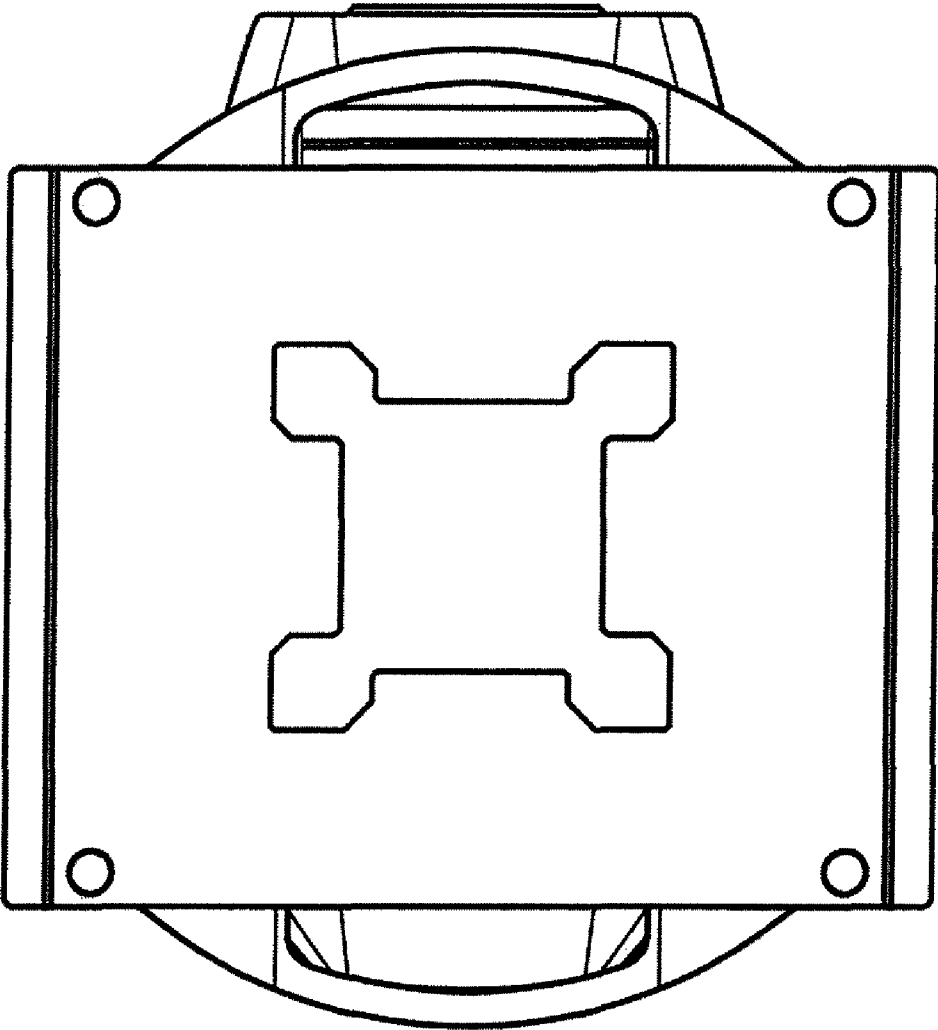


FIG. 7

