



US00D618377S

(12) **United States Design Patent**  
**Toft**

(10) **Patent No.:** **US D618,377 S**

(45) **Date of Patent:** **\*\* Jun. 22, 2010**

(54) **LIGHTING FIXTURE**

D342,801 S \* 12/1993 Poon ..... D26/93  
D397,234 S \* 8/1998 Huang ..... D26/93

(75) Inventor: **Uffe Kjaergaard Toft**, Hojbjerg (DK)

\* cited by examiner

(73) Assignee: **Martin Professional A/S** (DK)

*Primary Examiner*—Brian N Vinson

(\*\*) Term: **14 Years**

(74) *Attorney, Agent, or Firm*—Dykema Gossett PLLC

(21) Appl. No.: **29/321,141**

(57) **CLAIM**

(22) Filed: **Jul. 11, 2008**

The ornamental design for a lighting fixture, as shown and described.

(30) **Foreign Application Priority Data**

Apr. 17, 2008 (EP) ..... E-00057072-R

**DESCRIPTION**

(51) **LOC (9) Cl.** ..... **26-03**

FIG. 1 is a first perspective view of a lighting fixture showing my new design;

(52) **U.S. Cl.** ..... **D26/93**

FIG. 2 is a front elevational view thereof;

(58) **Field of Classification Search** ..... D26/1,

FIG. 3 is a rear elevational view thereof;

D26/24, 67, 93–94, 104–110; 362/3, 153,

FIG. 4 is a left side elevational view thereof;

362/186, 217, 255, 257, 277, 317, 351, 353,

FIG. 5 is a top plan view thereof;

362/362, 363, 382, 431, 433, 458, 806

FIG. 6 is a bottom plan view thereof; and,

See application file for complete search history.

FIG. 7 is a second perspective view thereof.

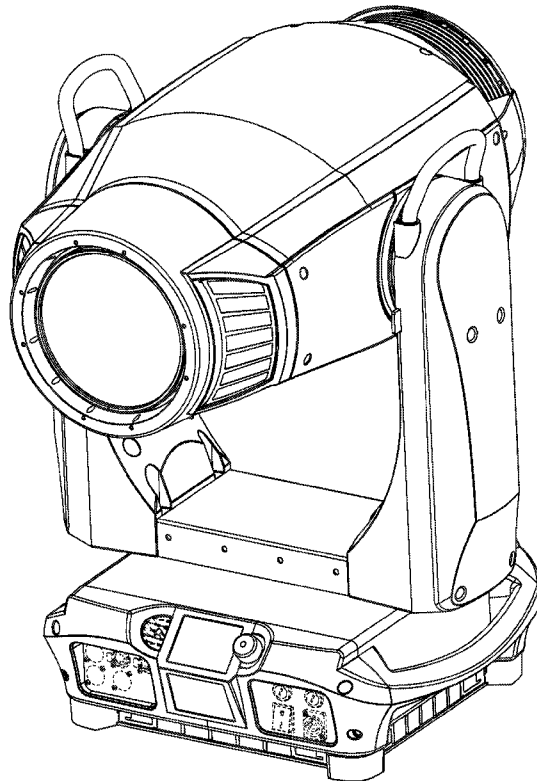
(56) **References Cited**

This invention relates to a lighting fixture. The right side elevational view thereof is a minor image of the left side elevational view thereof. The broken lines showing elements of the lighting fixture in FIGS. 1–7 are shown for illustrative purposes only and form no part of the claimed design.

**U.S. PATENT DOCUMENTS**

- D158,200 S \* 4/1950 Kliegl ..... D26/65
- D251,148 S \* 2/1979 Young et al. .... D26/93
- D257,743 S \* 12/1980 Tedesco ..... D26/104
- D258,918 S \* 4/1981 Miller, Jr. .... D26/93
- D298,467 S \* 11/1988 Stover ..... D26/93
- D322,136 S \* 12/1991 Shima et al. .... D26/93

**1 Claim, 7 Drawing Sheets**



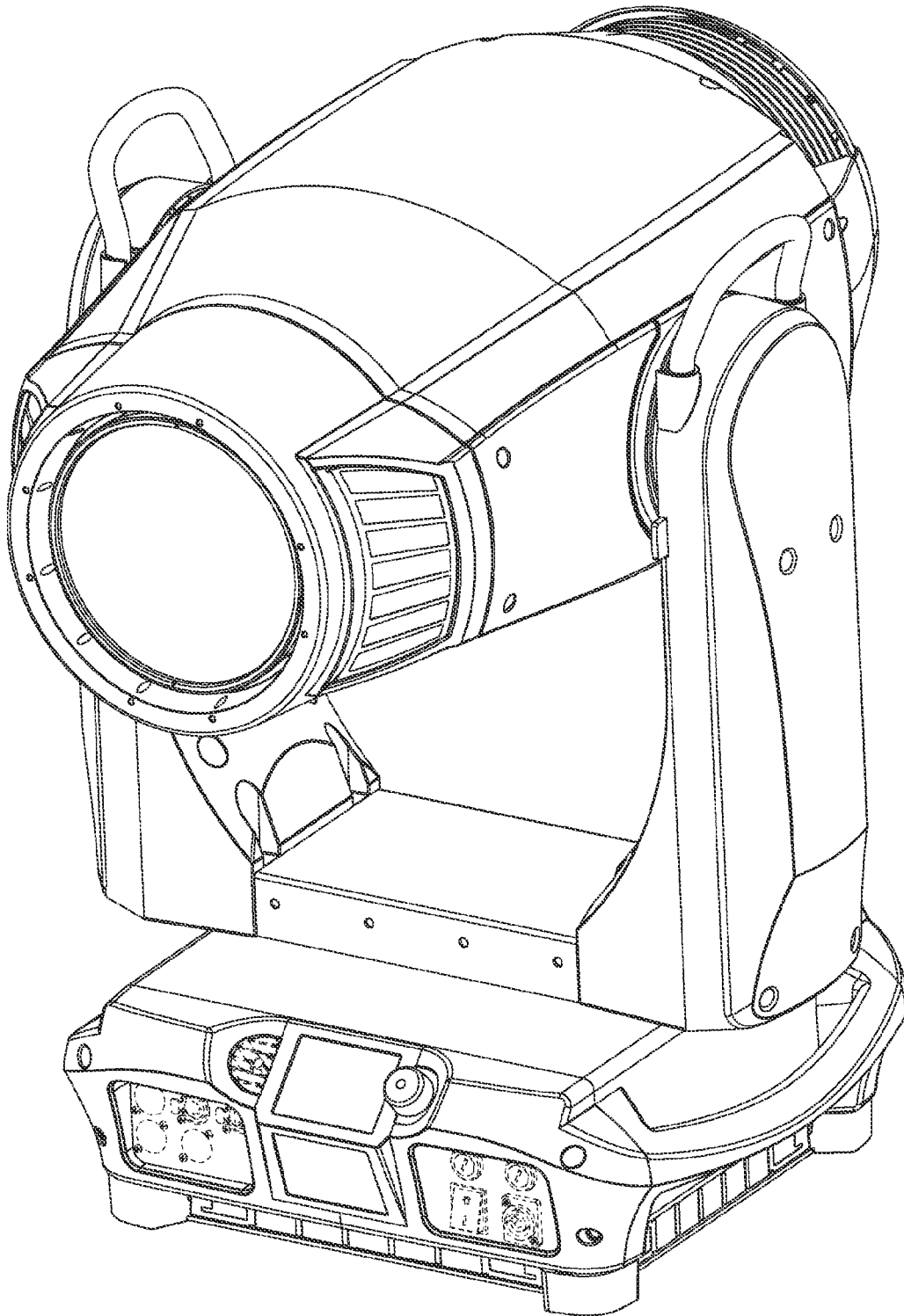


FIG. 1

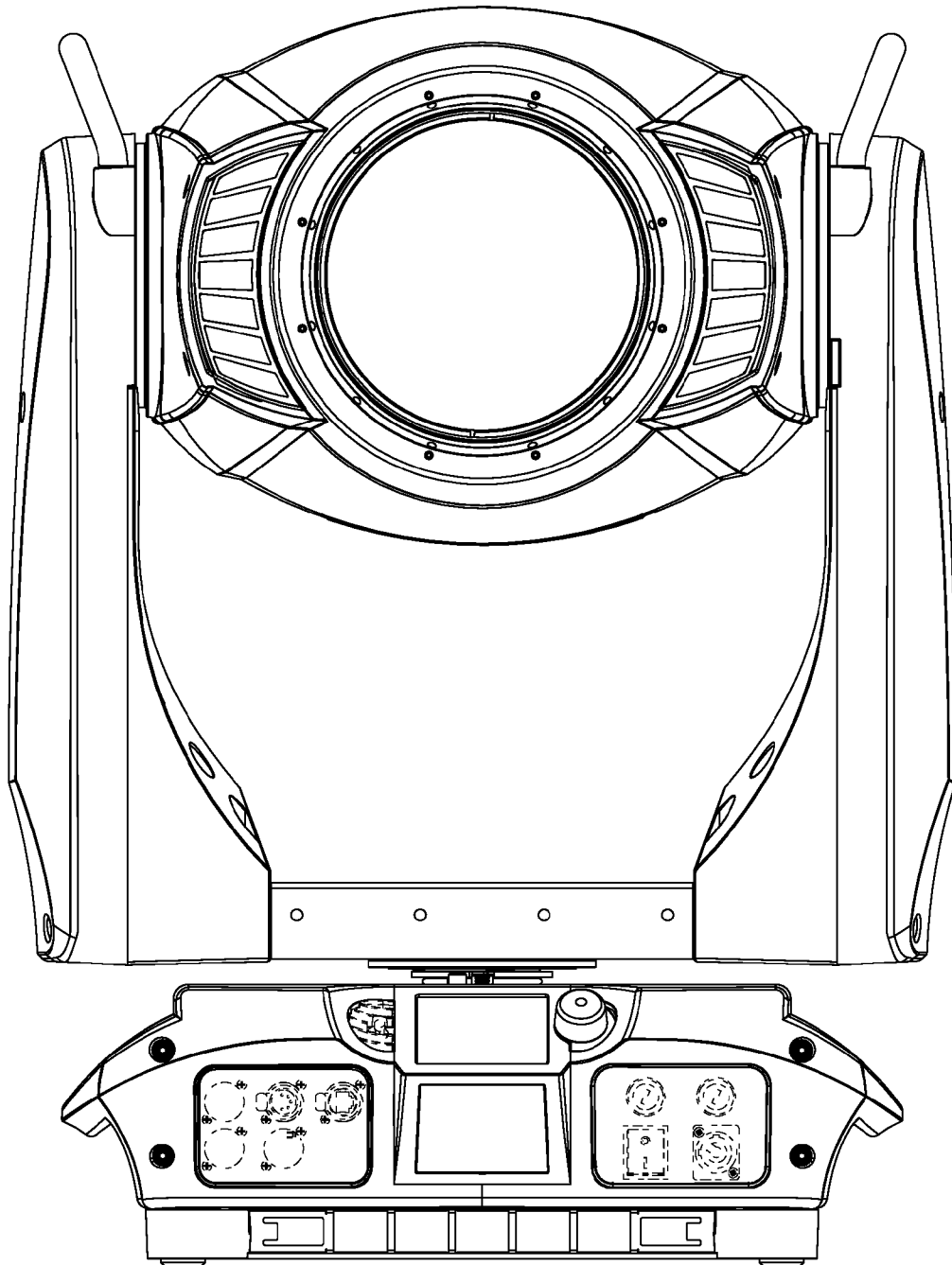


FIG. 2

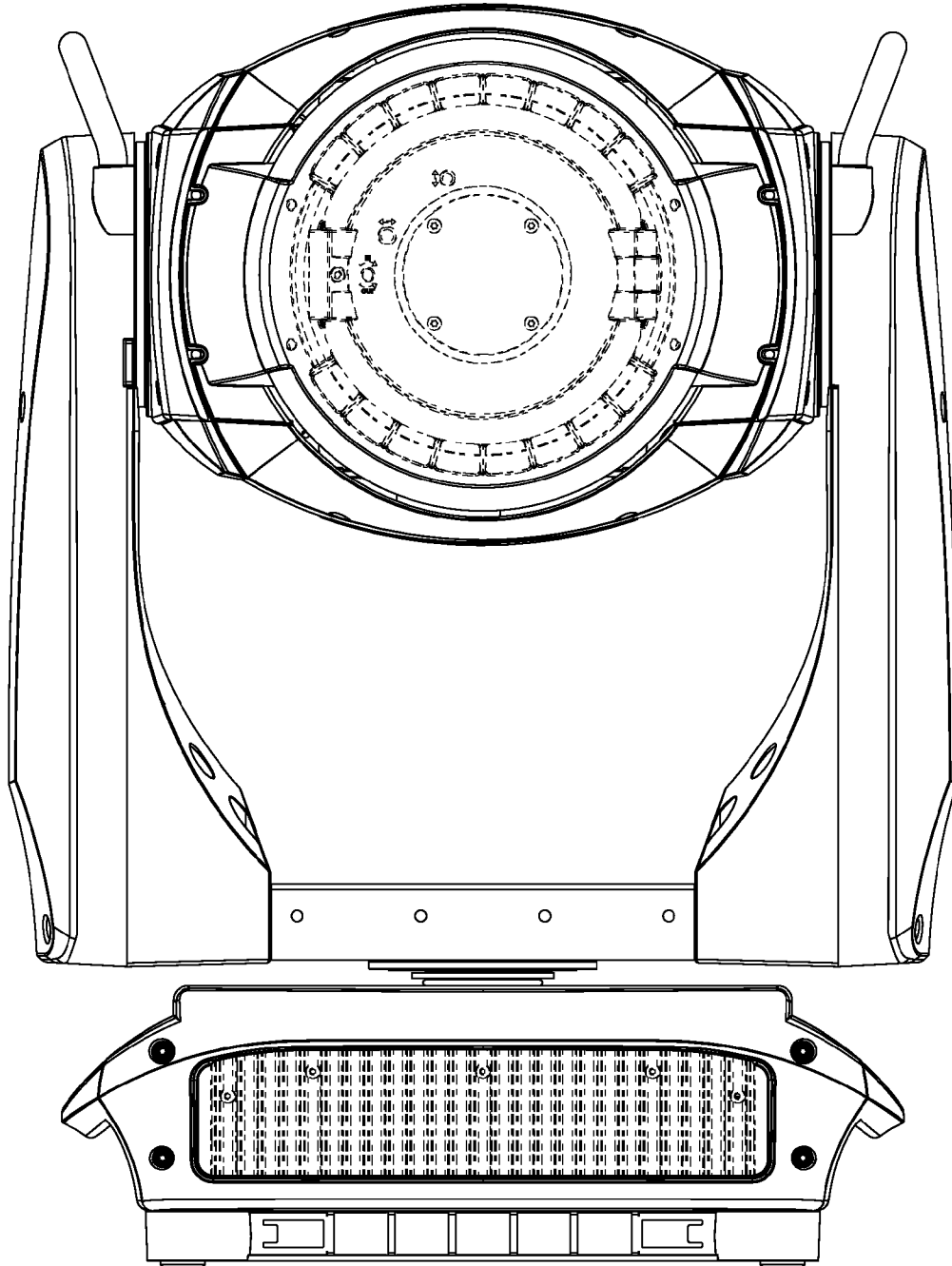


FIG. 3

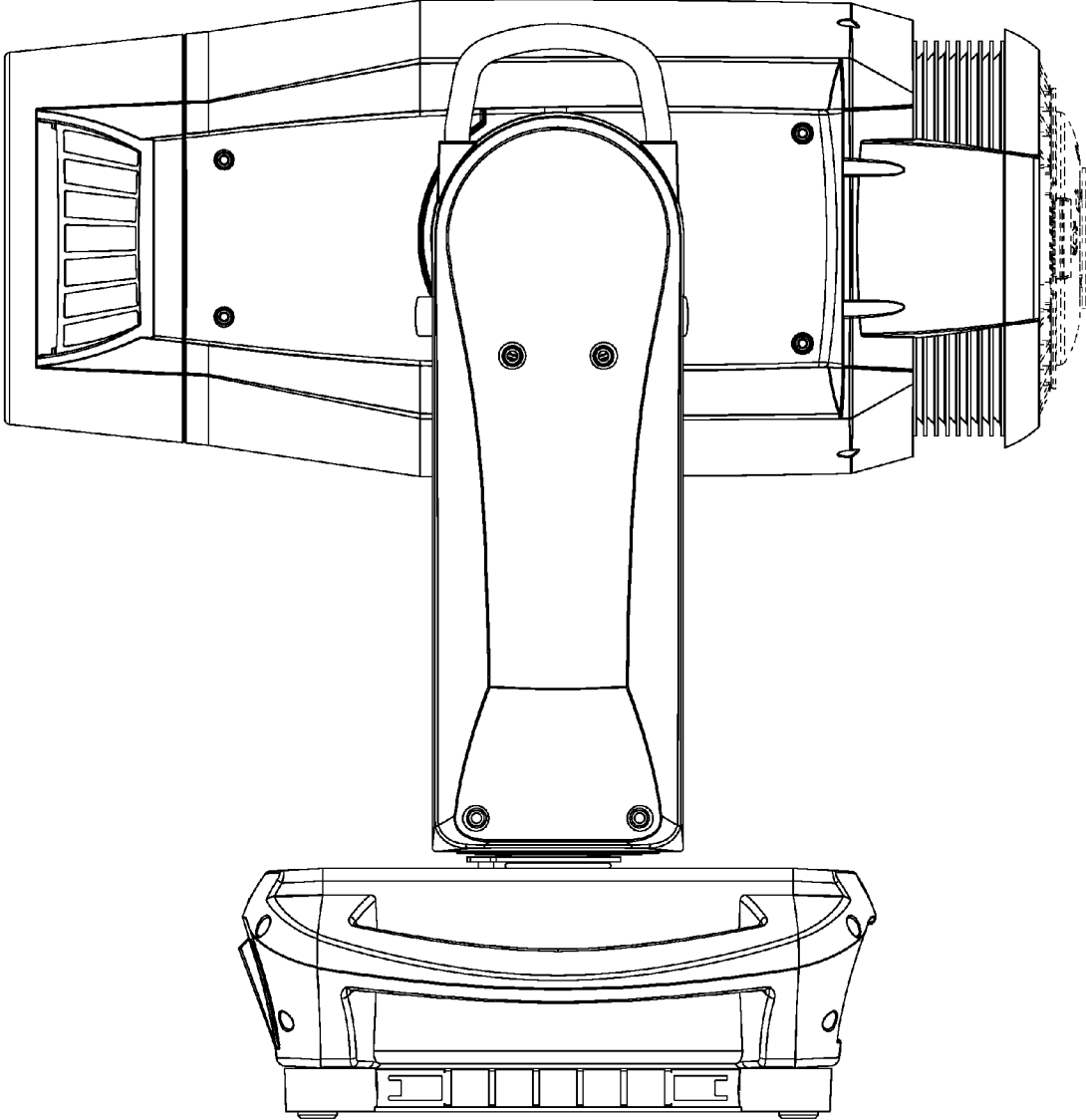


FIG. 4

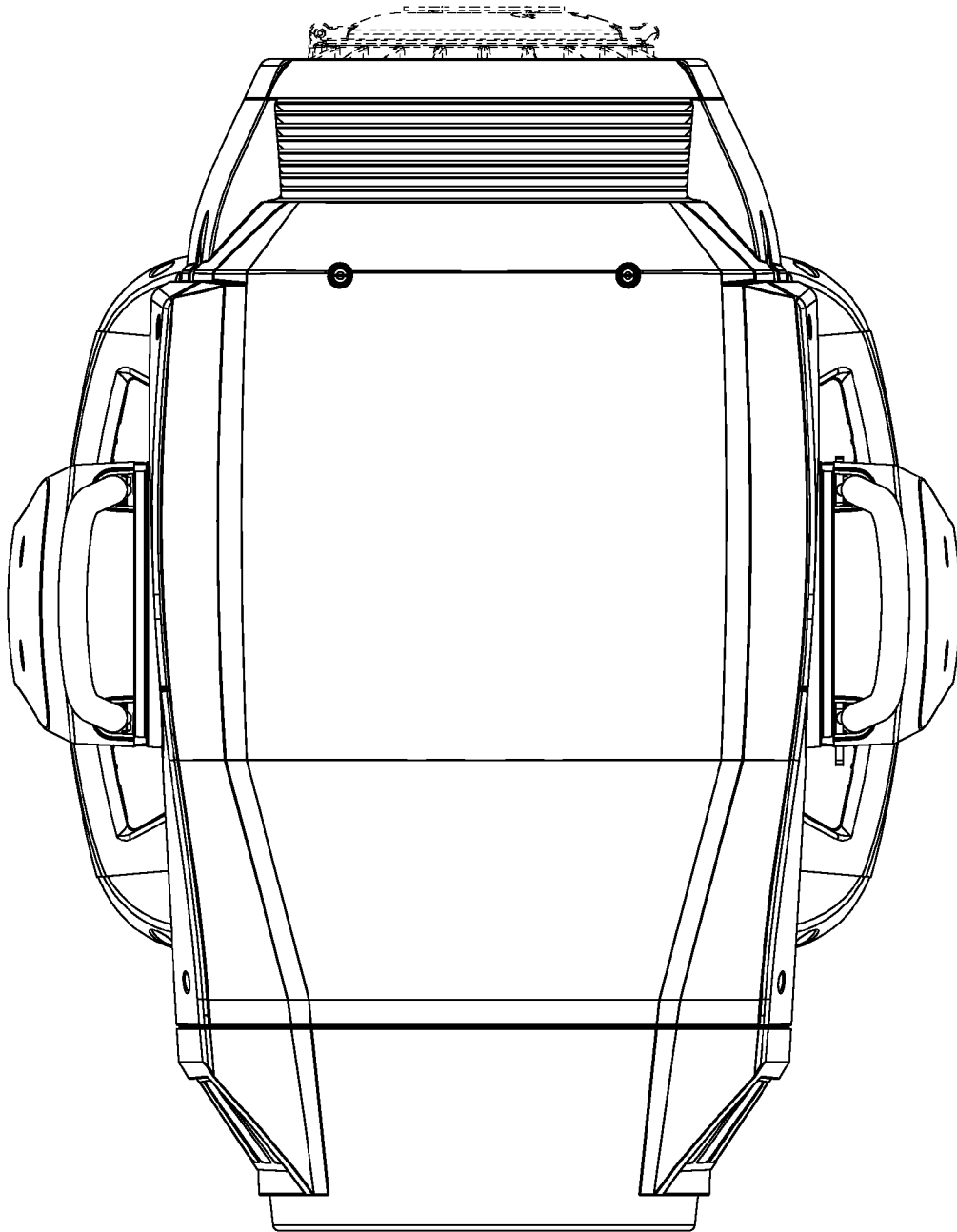


FIG. 5

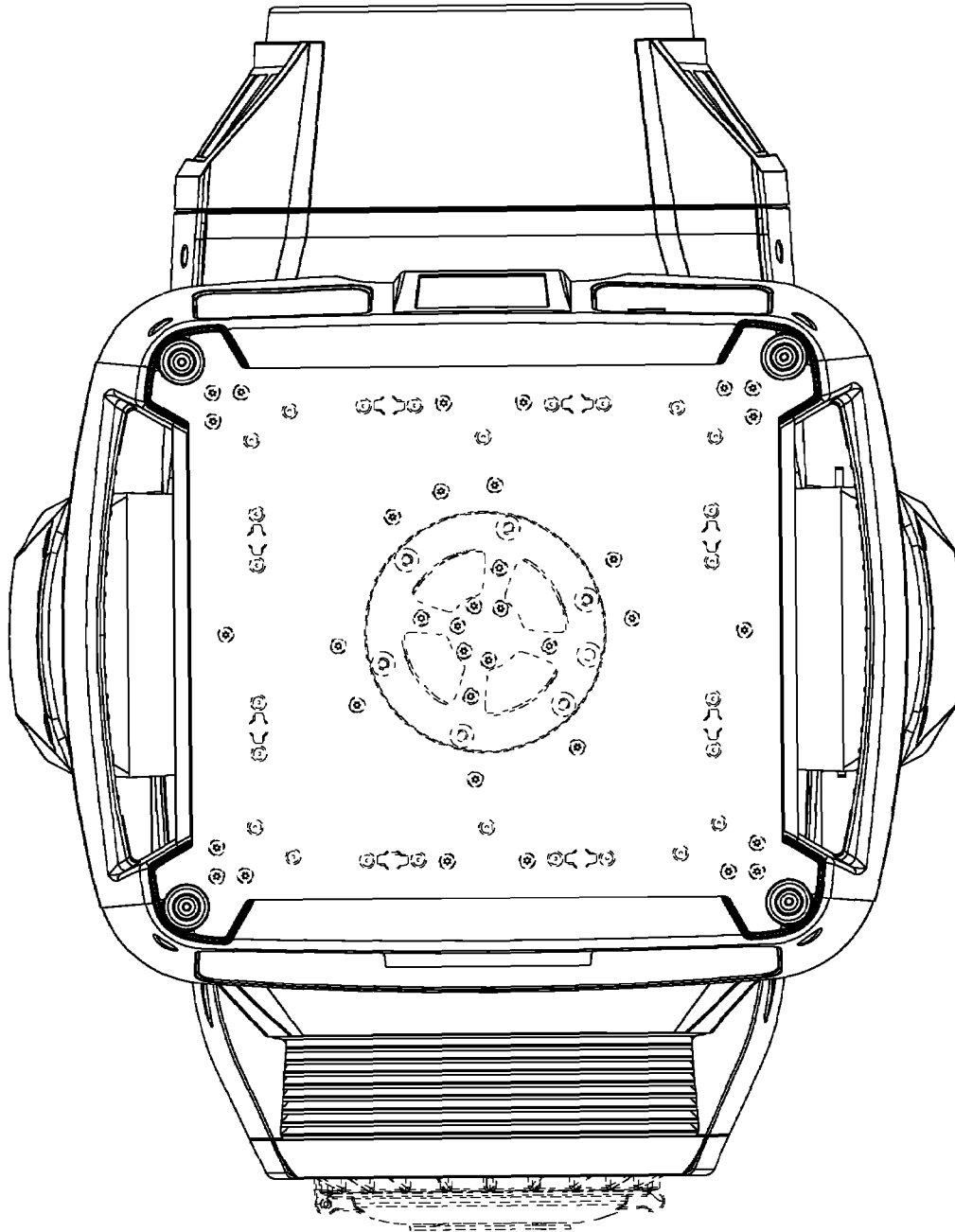


FIG. 6

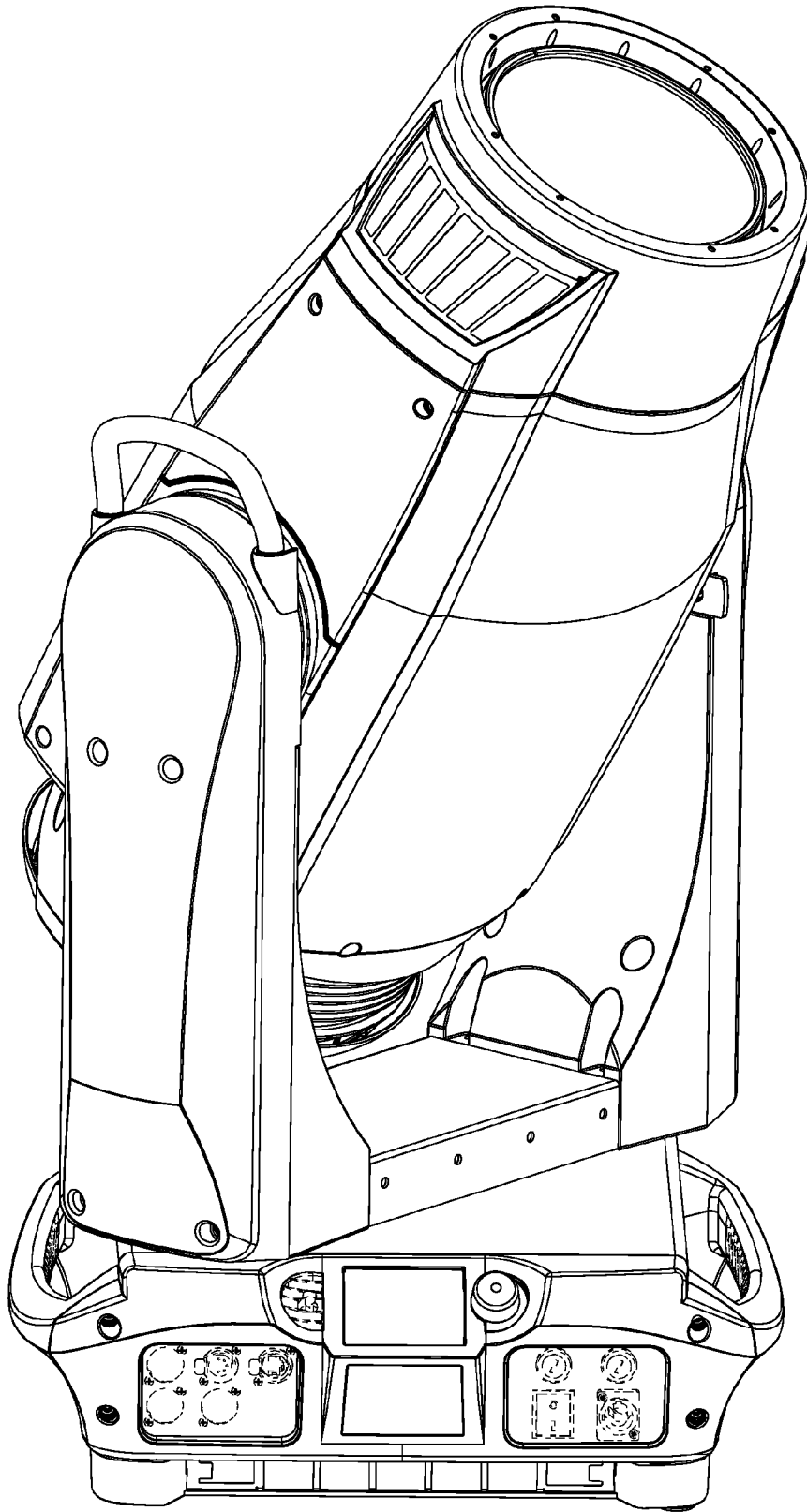


FIG. 7