



US00D590087S

(12) **United States Design Patent**
Manscher

(10) **Patent No.:** **US D590,087 S**

(45) **Date of Patent:** **** Apr. 7, 2009**

(54) **LIGHTING FIXTURE**

(75) Inventor: **Peter Manscher**, Egå (DK)

(73) Assignee: **Martin Professional A/S**, Århus N (DK)

(**) Term: **14 Years**

(21) Appl. No.: **29/298,917**

(22) Filed: **Dec. 14, 2007**

(51) **LOC (9) Cl.** **26-05**

(52) **U.S. Cl.** **D26/72**

(58) **Field of Classification Search** D26/72,
D26/74, 85; 362/362, 364, 257, 432
See application file for complete search history.

(56) **References Cited**

U.S. PATENT DOCUMENTS

D87,355	S	*	7/1932	Pospisil	D26/72
4,384,316	A	*	5/1983	de Vos et al.	362/147
5,146,392	A	*	9/1992	Kasboske	362/519
6,135,624	A	*	10/2000	Masters et al.	362/432
6,283,617	B1	*	9/2001	Stekelenburg	362/370
7,258,468	B2	*	8/2007	Peng et al.	362/362

D579,600 S * 10/2008 Campagna D26/85
2008/0144317 A1 * 6/2008 Ochi 362/257

* cited by examiner

Primary Examiner—Clare E Heflin

(74) *Attorney, Agent, or Firm*—Dykema Gossett PLLC

(57) **CLAIM**

The ornamental design for a lighting fixture, as shown and described.

DESCRIPTION

FIG. 1 is a front, top perspective view of a lighting fixture showing my new design;

FIG. 2 is a rear, top perspective view thereof;

FIG. 3 is an elevational front view thereof;

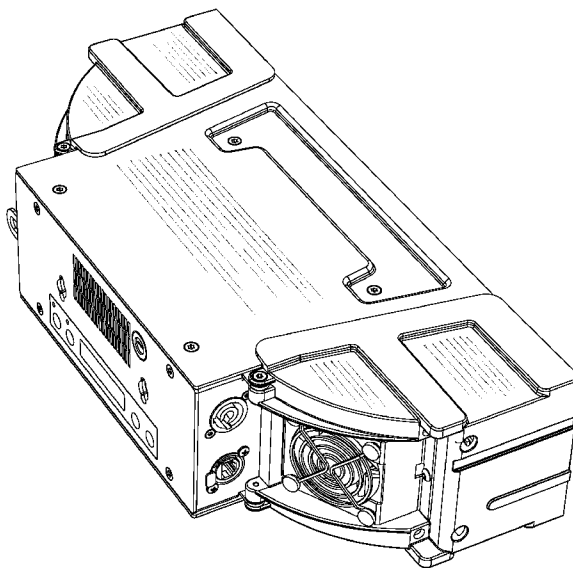
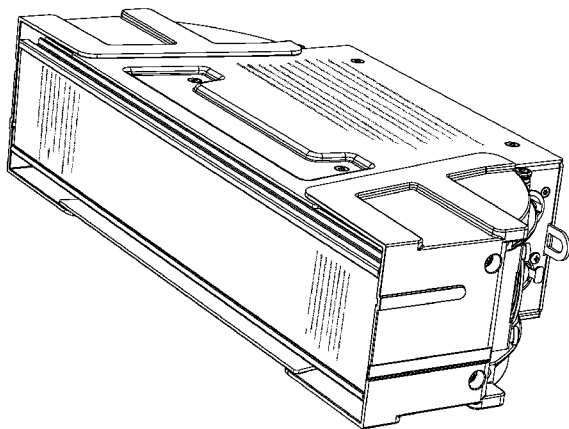
FIG. 4 is an elevational left side view thereof;

FIG. 5 is an elevational right side view thereof;

FIG. 6 is an elevational rear view thereof; and,

FIG. 7 is a bottom plan view thereof.

1 Claim, 7 Drawing Sheets



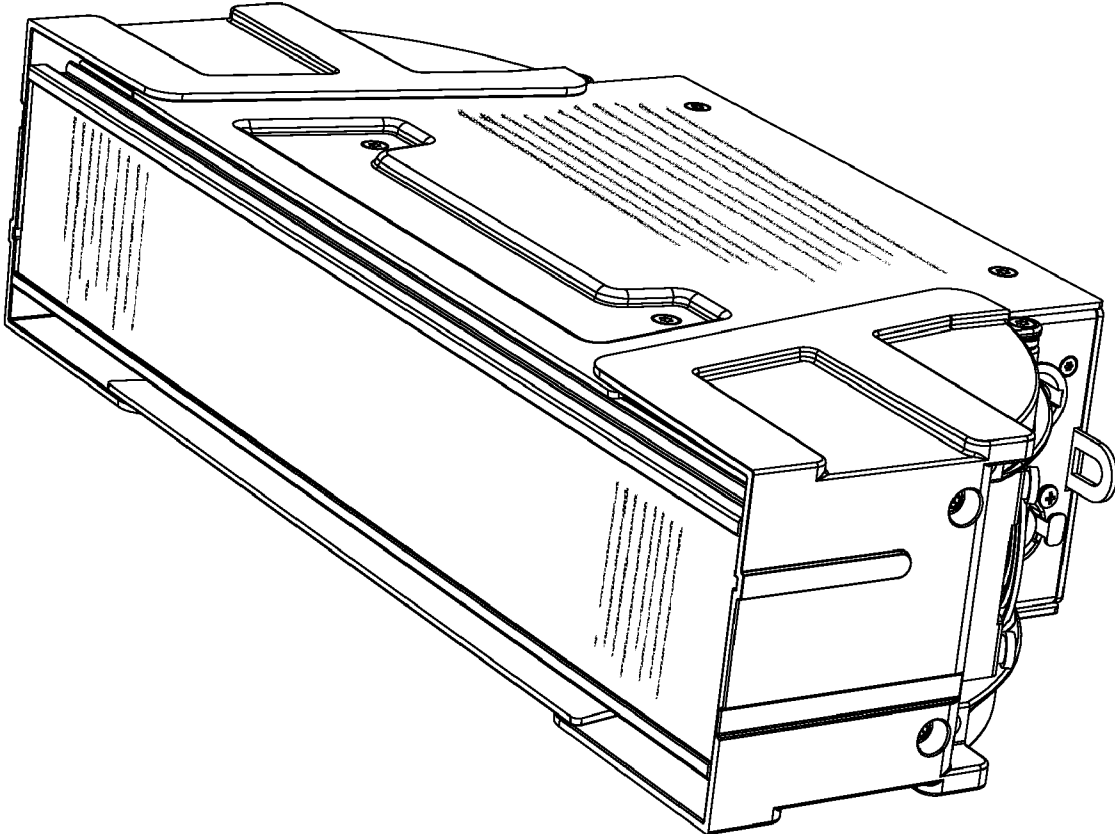


Fig. 1

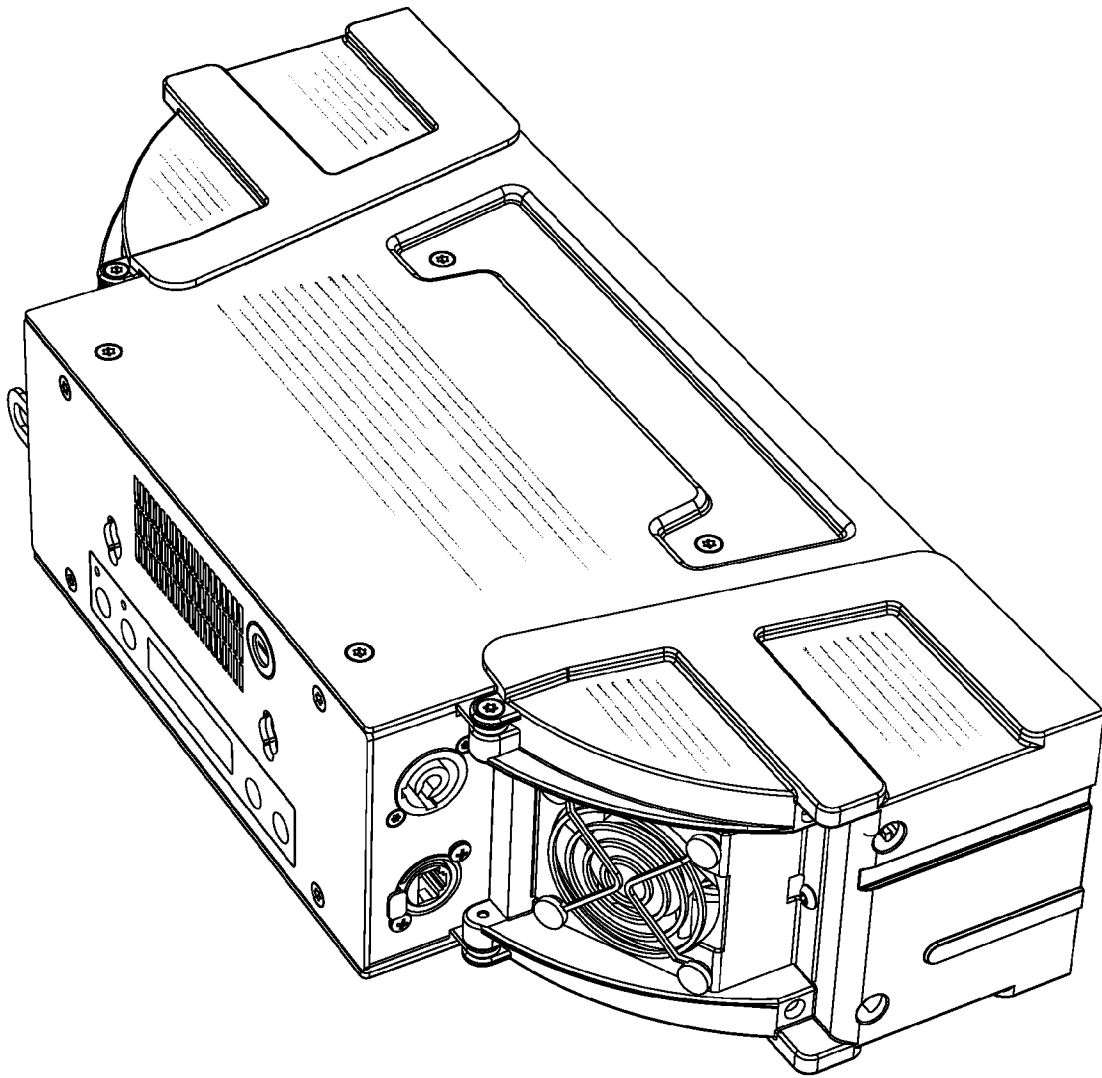


Fig. 2

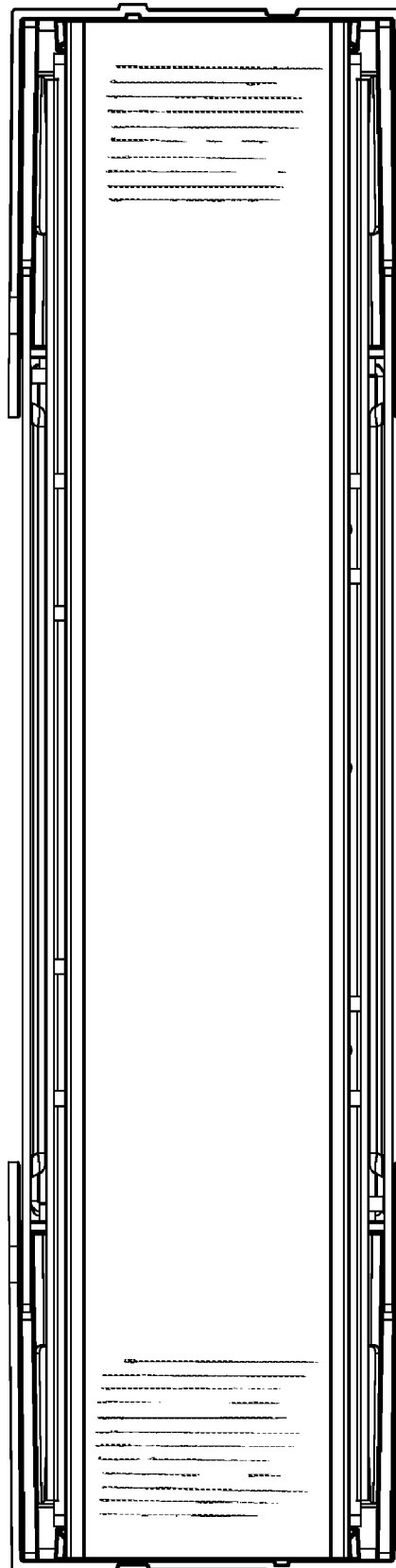


Fig. 3

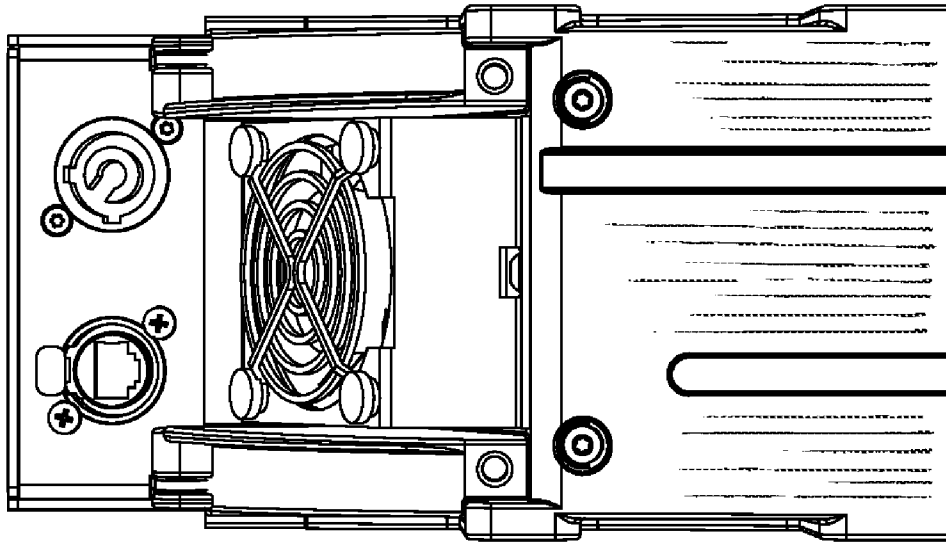


Fig. 4

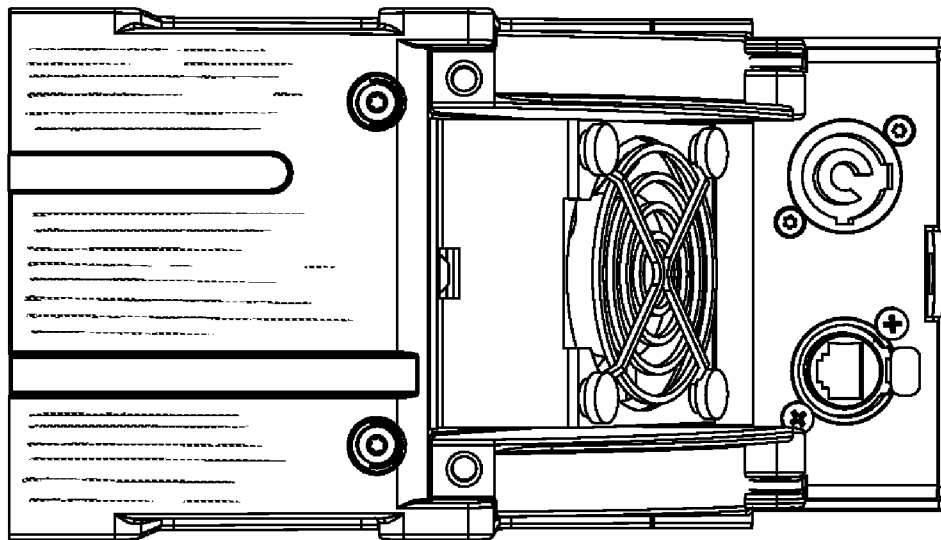


Fig. 5

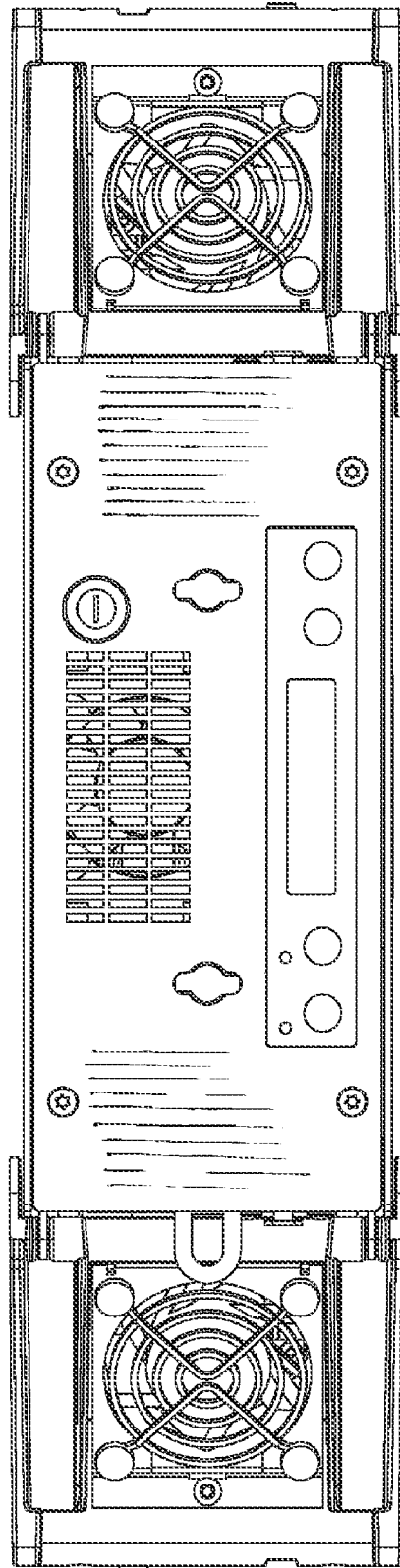


Fig. 6

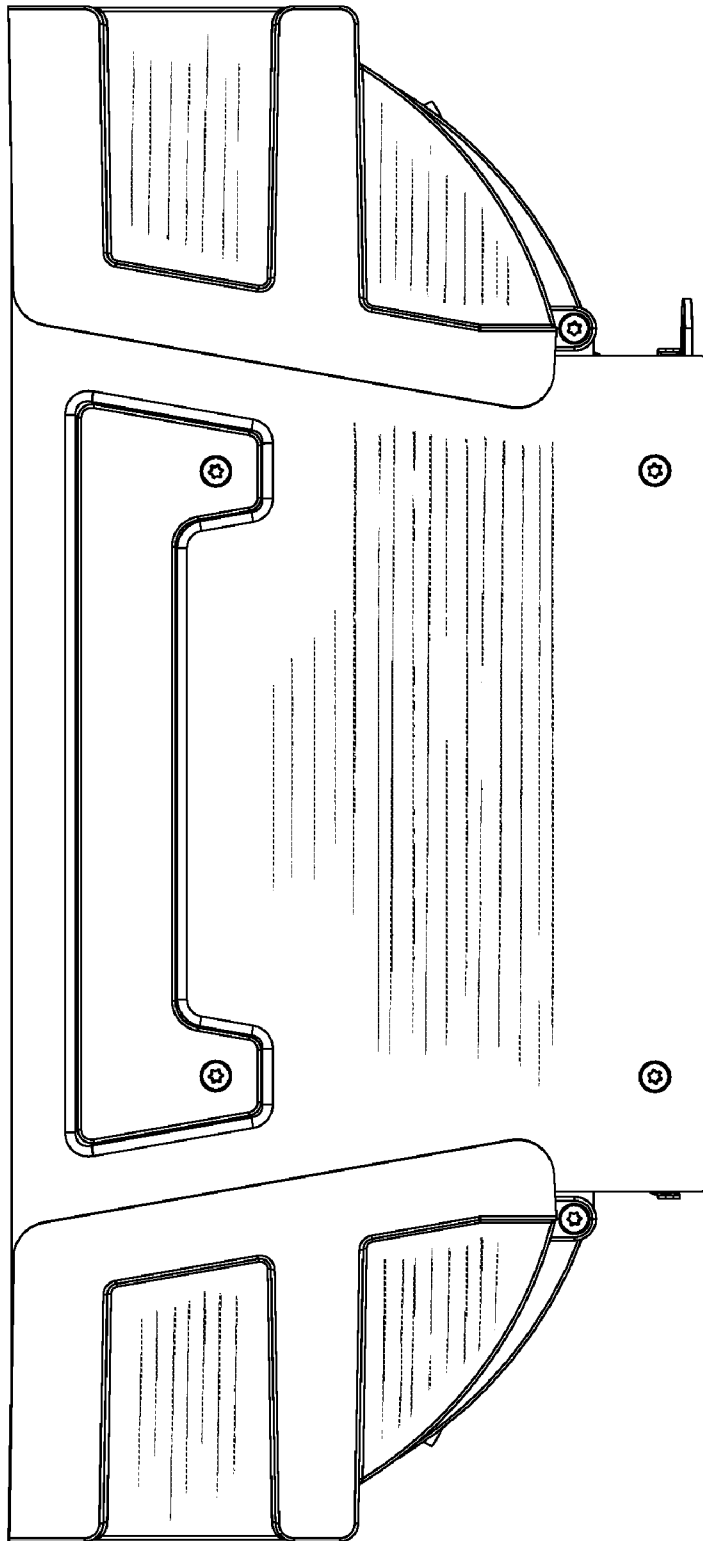


Fig. 7