



US00D589199S

(12) **United States Design Patent**  
**Pedersen**

(10) **Patent No.:** **US D589,199 S**

(45) **Date of Patent:** **\*\* Mar. 24, 2009**

(54) **LIGHTING FIXTURE**

D549,382 S \* 8/2007 Lee ..... D26/76

(75) Inventor: **Allan Pedersen, Århus C (DK)**

\* cited by examiner

(73) Assignee: **Martin Professional A/S, Aarhus (DK)**

*Primary Examiner*—Clare E Heflin

(74) *Attorney, Agent, or Firm*—Dykema Gossett PLLC

(\*\*) Term: **14 Years**

(57) **CLAIM**

(21) Appl. No.: **29/298,912**

The ornamental design for a lighting fixture, as shown and described.

(22) Filed: **Dec. 14, 2007**

(51) **LOC (9) Cl.** ..... **26-03**

(52) **U.S. Cl.** ..... **D26/85; D26/76**

(58) **Field of Classification Search** ..... D26/72,  
D26/75–78, 85, 118, 122, 24; 362/147, 151,  
362/217, 225, 605

See application file for complete search history.

**DESCRIPTION**

FIG. 1 is a perspective bottom/front view a lighting fixture showing my ornamental design;

FIG. 2 is a perspective top/rear view thereof;

FIG. 3 is an elevational right side view thereof;

FIG. 4 is an elevational left side view thereof;

FIG. 5 is a bottom plan view thereof;

FIG. 6 is an elevational front view thereof;

FIG. 7 is an elevational rear view thereof; and,

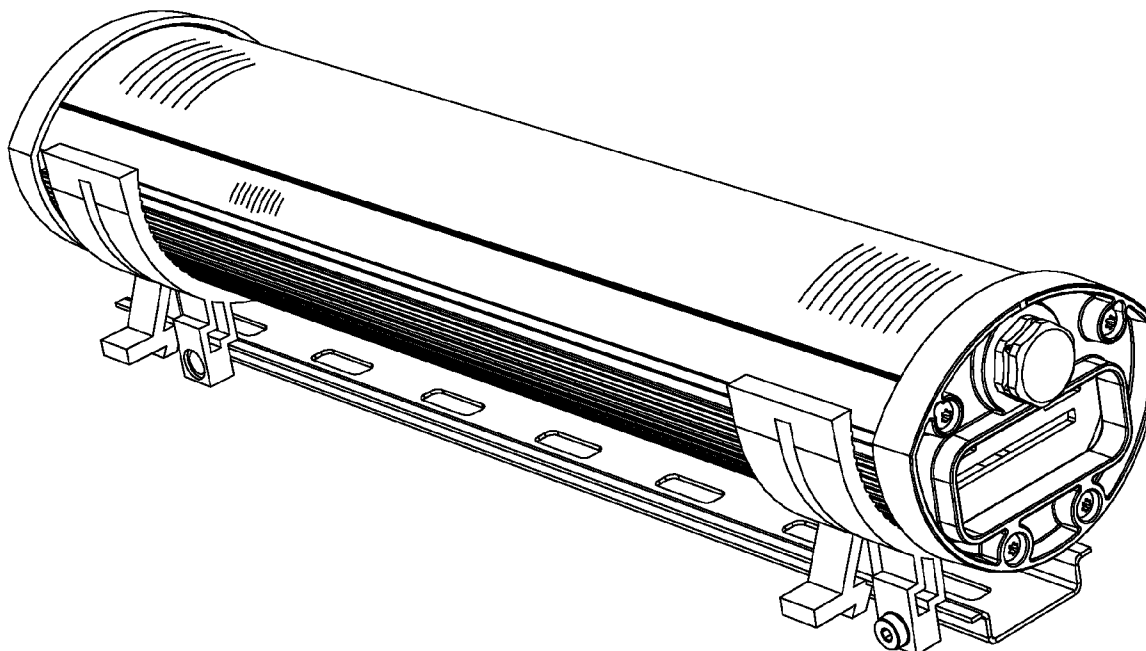
FIG. 8 is a perspective bottom/front view thereof, showing an enlarged area.

(56) **References Cited**

**U.S. PATENT DOCUMENTS**

D172,141 S *	5/1954	Guth	.....	D26/77
2,694,775 A *	11/1954	Florence	.....	362/222
D177,232 S *	3/1956	Harling	.....	D26/24
D300,471 S *	3/1989	Szymanek	.....	D26/76
D500,884 S *	1/2005	O'Rourke	.....	D26/77
D523,165 S *	6/2006	Schultz	.....	D26/76

**1 Claim, 8 Drawing Sheets**



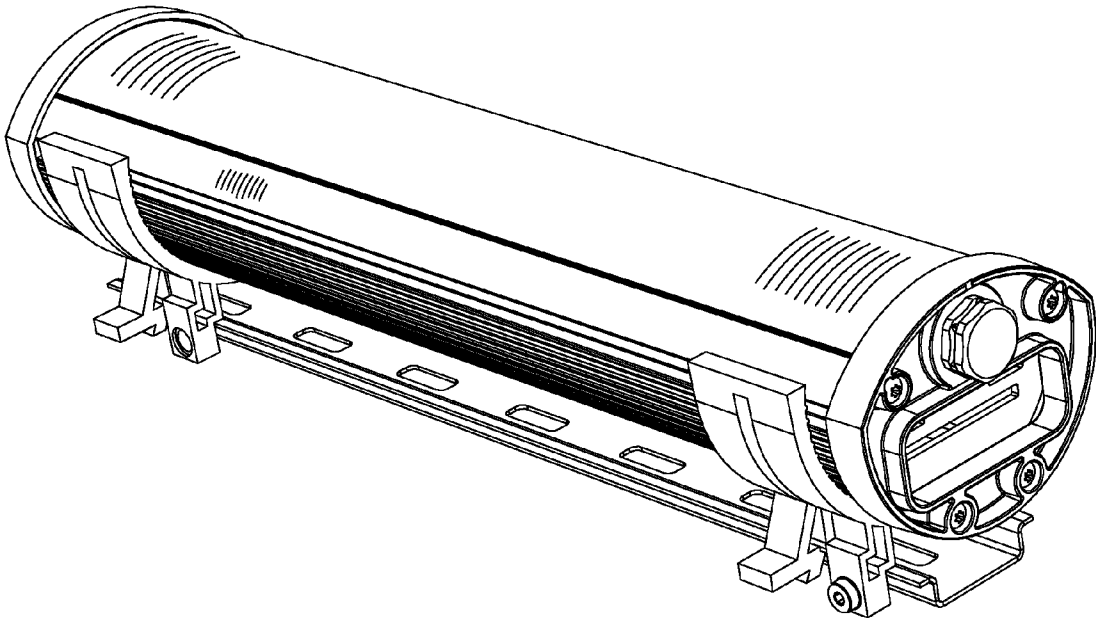


Fig. 1

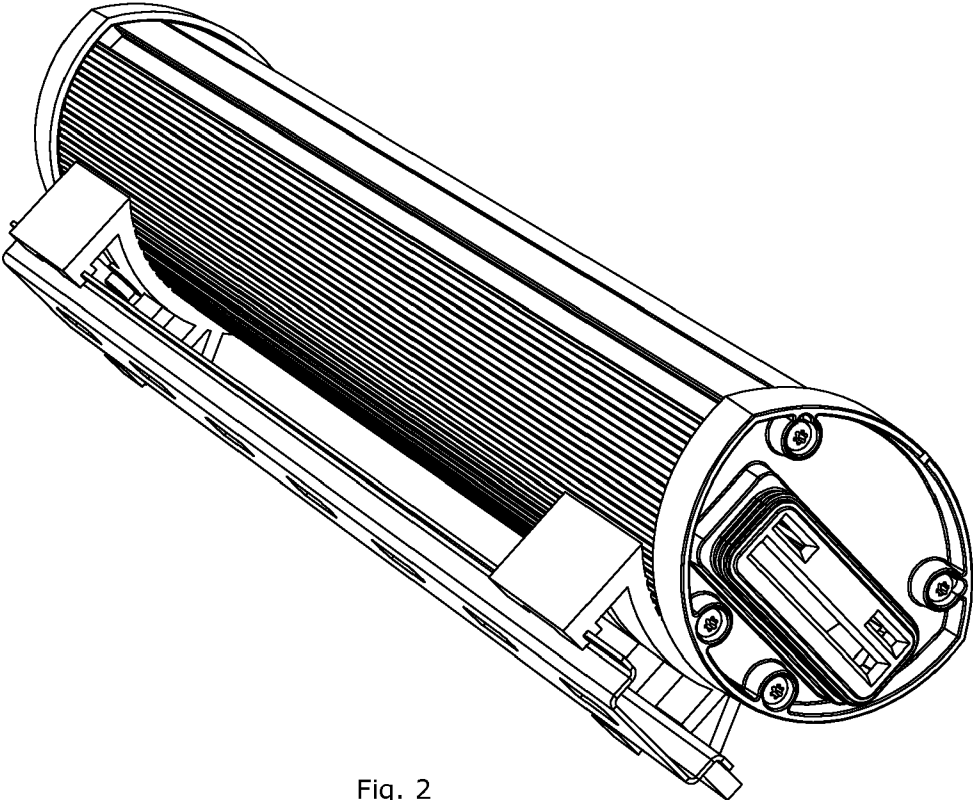


Fig. 2

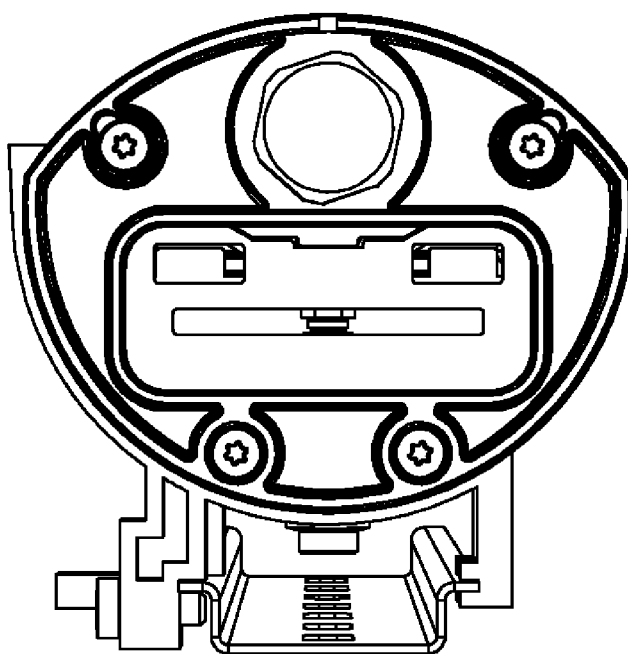


Fig. 3

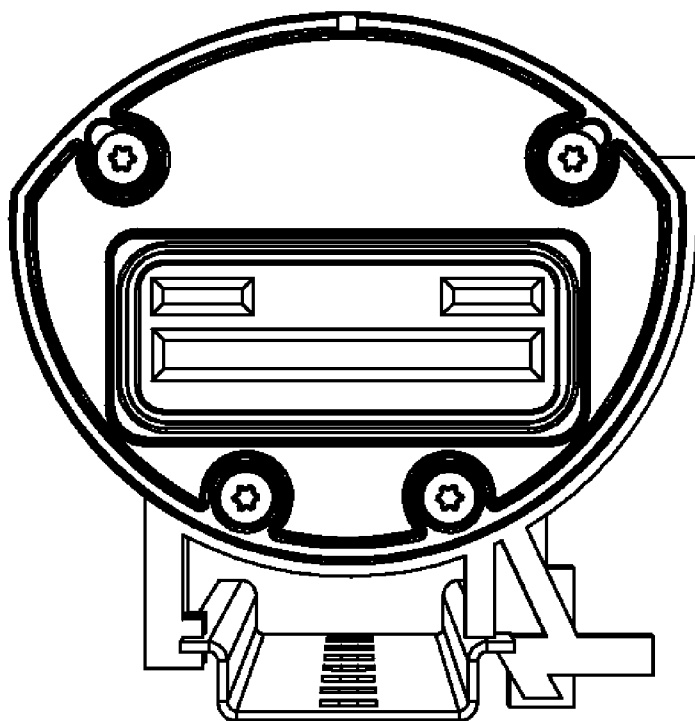


Fig. 4

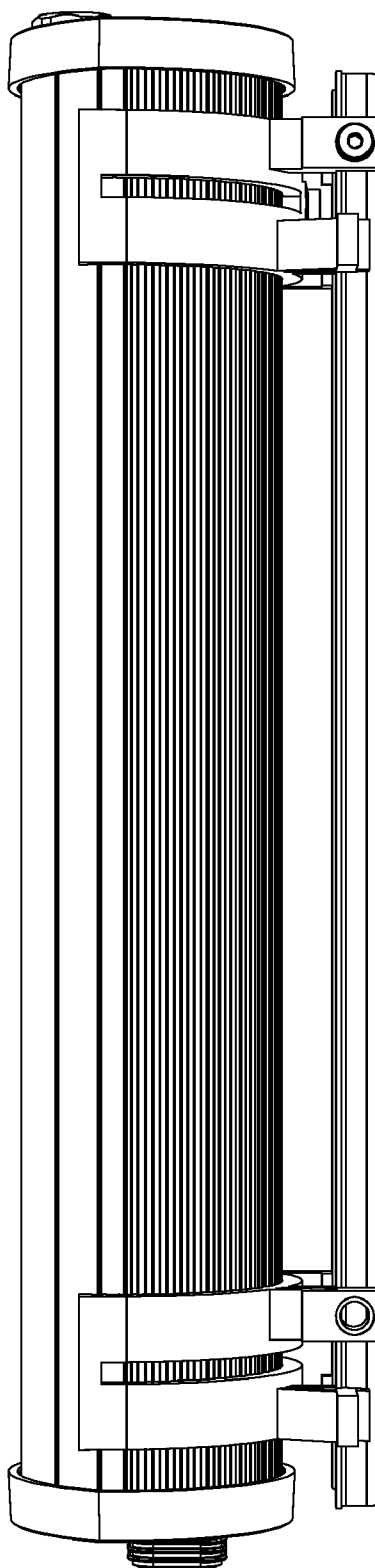


Fig. 5

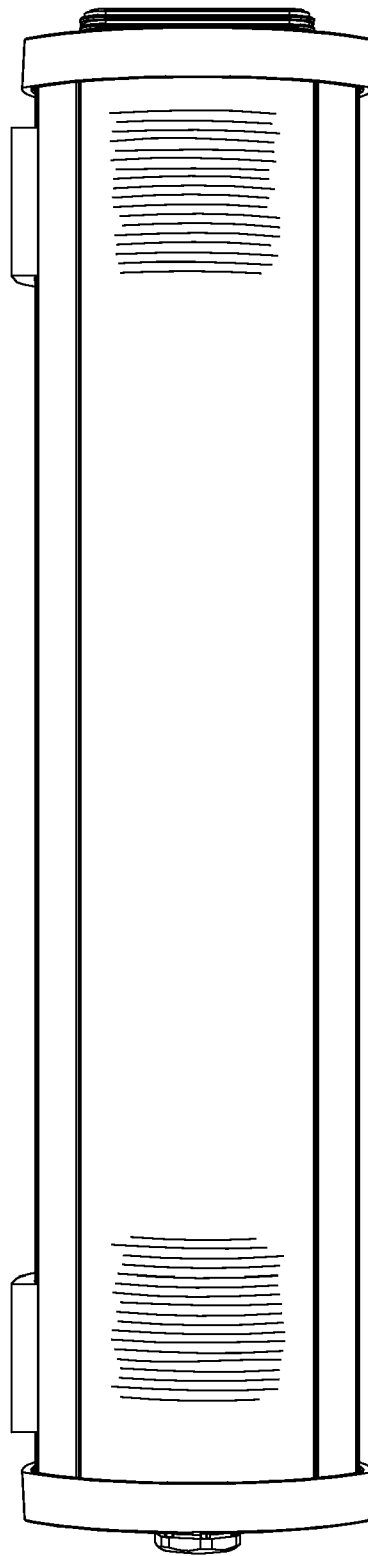


Fig. 6

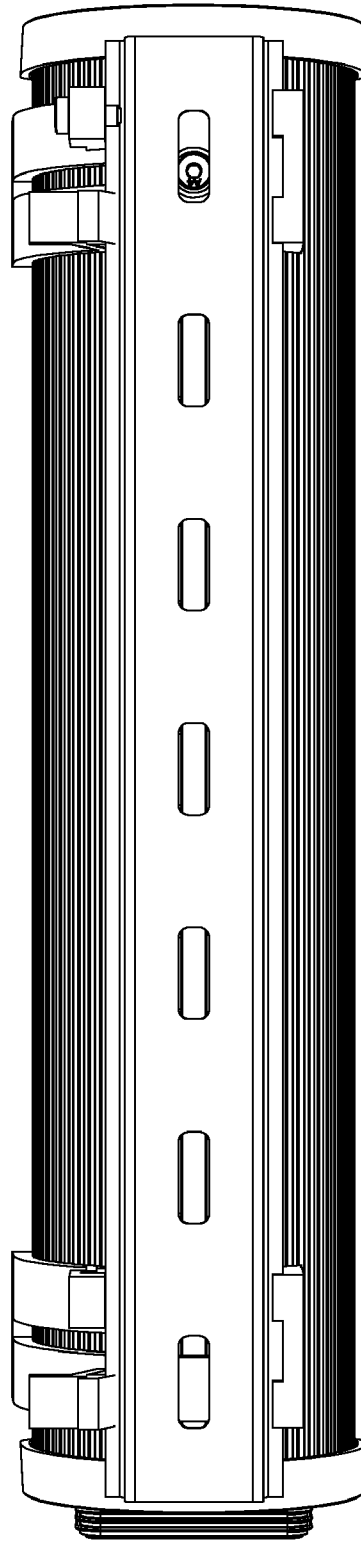


Fig. 7

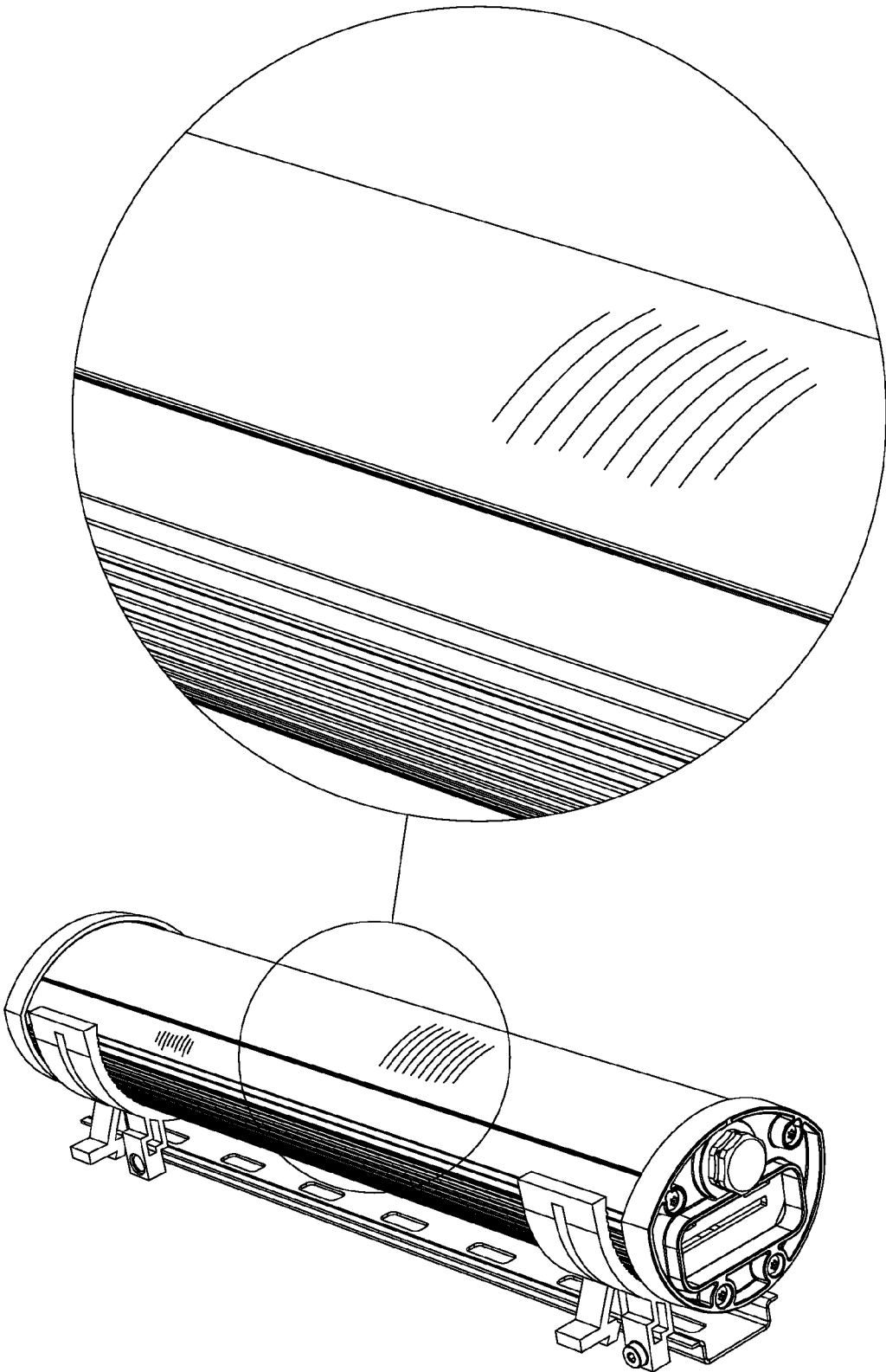


Fig. 8