



US00D548868S

(12) **United States Design Patent**  
**Roberge et al.**

(10) **Patent No.:** **US D548,868 S**

(45) **Date of Patent:** **\*\* Aug. 14, 2007**

(54) **LIGHTING ASSEMBLY**

(75) Inventors: **Brian Roberge**, Franklin, MA (US);  
**Colin Piepgras**, Swampscott, MA (US);  
**Steve T. Kondo**, Salem, MA (US);  
**Peter Swai**, Quincy, MA (US)

(73) Assignee: **Color Kinetics Incorporated**, Boston, MA (US)

(\*\*) Term: **14 Years**

(21) Appl. No.: **29/246,242**

(22) Filed: **Mar. 27, 2006**

**Related U.S. Application Data**

(63) Continuation of application No. 29/208,518, filed on Jun. 29, 2004, now Pat. No. Des. 518,218, which is a continuation of application No. 10/839,765, filed on May 5, 2004, now Pat. No. 7,178,941.

(51) **LOC (8) Cl.** ..... **26-05**

(52) **U.S. Cl.** ..... **D26/63**

(58) **Field of Classification Search** ..... D26/24,  
D26/61, 63-65, 104; 362/269, 277, 282,  
362/285, 287, 418, 419, 427

See application file for complete search history.

(56) **References Cited**

**U.S. PATENT DOCUMENTS**

1,882,185 A 10/1932 Graham  
2,057,278 A 10/1936 Richardson  
2,200,114 A 5/1940 Konikoff  
D257,890 S 1/1981 Aron

4,259,710 A 3/1981 Schlack  
5,025,359 A 6/1991 Saluja et al.  
D328,148 S 7/1992 Waldmann  
D408,937 S 4/1999 Waldmann  
D437,441 S 2/2001 Shoemaker et al.  
6,183,116 B1 2/2001 Harter et al.  
D482,152 S 11/2003 Hussaini et al.

**OTHER PUBLICATIONS**

*Color Kinetics v. Super Vision International, Inc.*, "Super Vision International, Inc.'s Notice of Filing Declaration of Peter Michalek," United States District Court, District of Massachusetts; Case No. 02 CV 11137 MEL.

*Primary Examiner*—Clare E Heflin

(74) *Attorney, Agent, or Firm*—Wolf, Greenfield & Sacks, P.C.

(57) **CLAIM**

The ornamental design for a lighting assembly, as shown and described.

**DESCRIPTION**

FIG. 1 is a front view of a lighting assembly design;

FIG. 2 is a side view thereof;

FIG. 3 is a rear view thereof;

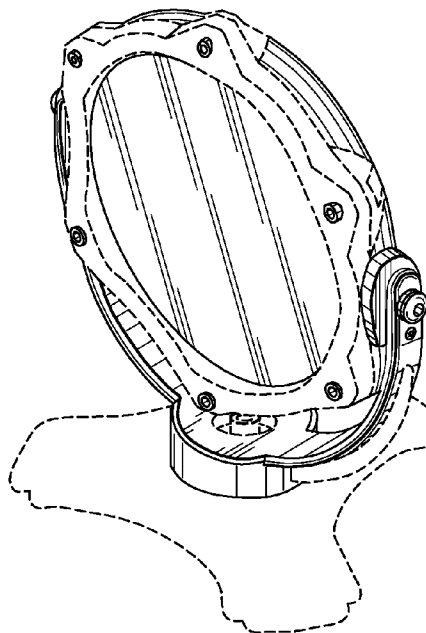
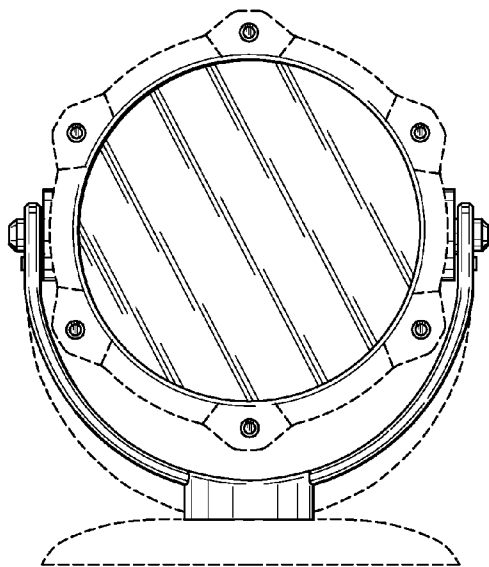
FIG. 4 is a top view thereof; and,

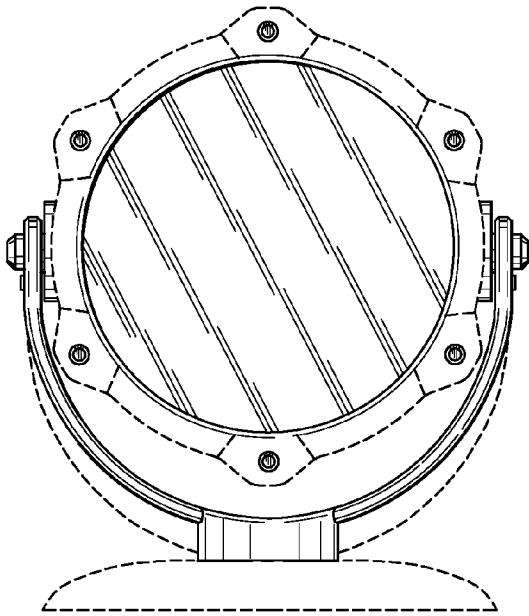
FIG. 5 is a perspective view thereof.

The bottom surface of the lighting assembly is plain and non-ornamental.

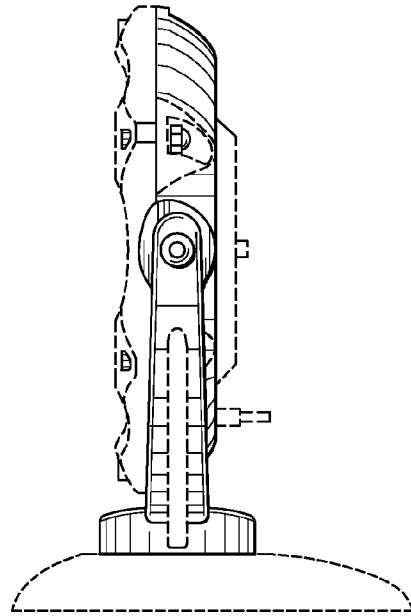
The broken lines shown on the drawings are for illustrative purposes only and form no part of the claimed design.

**1 Claim, 2 Drawing Sheets**

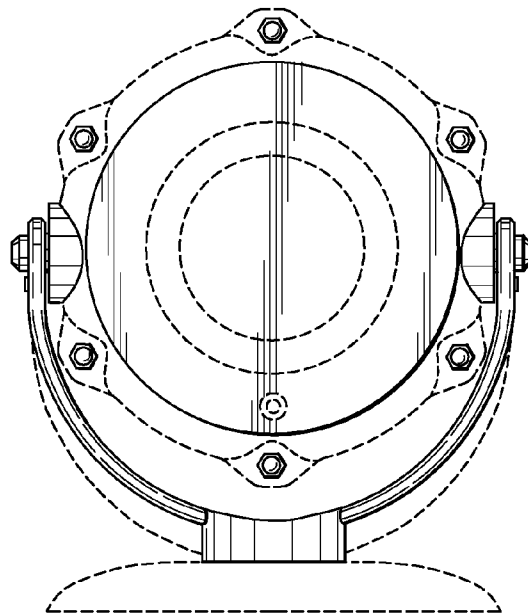




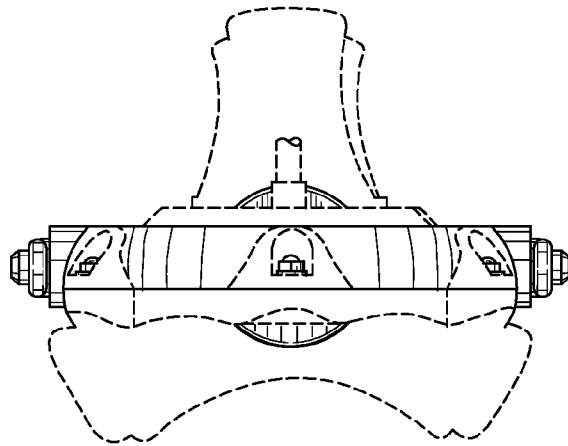
**FIG. 1**



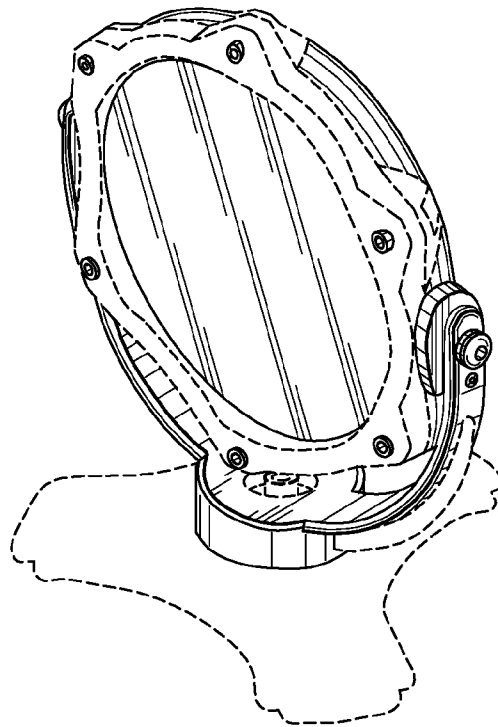
**FIG. 2**



**FIG. 3**



**FIG. 4**



**FIG. 5**