



US00D530668S

(12) **United States Design Patent**  
**Carson et al.**

(10) **Patent No.:** **US D530,668 S**

(45) **Date of Patent:** **\*\* \*Oct. 24, 2006**

(54) **DIMMER MODULE**

D503,677 S \* 4/2005 Wardenburg ..... D13/110

(75) Inventors: **Steven R. Carson**, Allen, TX (US);  
**John Eric King**, Plano, TX (US)

\* cited by examiner

(73) Assignee: **Genlyte Thomas Group LLC**,  
Louisville, KY (US)

*Primary Examiner*—Stella Reid  
*Assistant Examiner*—Daniel Bui  
(74) *Attorney, Agent, or Firm*—Dennis T. Griggs

(\* ) Notice: This patent is subject to a terminal disclaimer.

(57) **CLAIM**

(\*\* ) Term: **14 Years**

The ornamental design for a dimmer module, as shown and described.

(21) Appl. No.: **29/197,222**

(22) Filed: **Jan. 12, 2004**

(51) **LOC (8) Cl.** ..... **13-02**

(52) **U.S. Cl.** ..... **D13/110**

(58) **Field of Classification Search** ..... D13/101,  
D13/110, 112, 123, 125, 184, 199; D14/188;  
315/112, 199, 295, 362; 361/62, 600  
See application file for complete search history.

**DESCRIPTION**

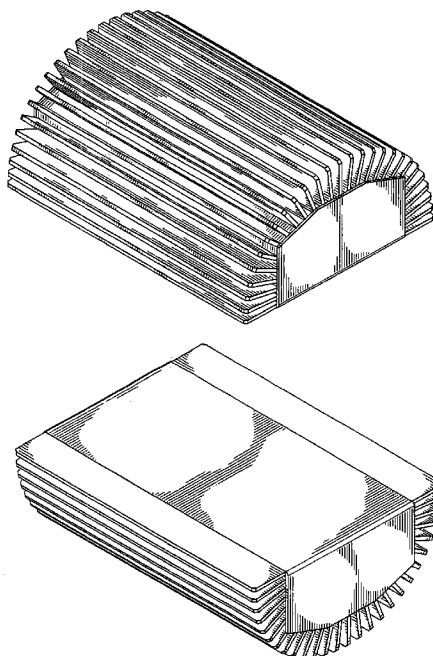
FIG. 1 is a top plan view of a dimmer module showing our new design;  
FIG. 2 is a front elevation view thereof, the rear elevation view being the mirror image thereof;  
FIG. 3 is a right side elevation view thereof, the left side elevation view being the mirror image thereof;  
FIG. 4 is a bottom plan view thereof,  
FIG. 5 is a top perspective view thereof;  
FIG. 6 is a bottom perspective view thereof;  
FIG. 7 is a top plan view thereof, shown as the dimmer module appears in a typical pipe clamp mounted installation;  
FIG. 8 is a front elevation view thereof, shown as the dimmer module appears in a typical C-clamp mounted installation;  
FIG. 9 is a rear elevation view thereof, shown as the dimmer module appears in a typical yoke mounted installation; and,  
FIG. 10 is a right side elevation view thereof, shown as the dimmer module appears in a typical wall mounted installation.  
The dashed lines shown in FIGS. 7, 8, 9 and 10 represent environmental subject matter and form no part of the claimed design.

(56) **References Cited**

**U.S. PATENT DOCUMENTS**

D201,884 S	*	8/1965	Blake et al.	.....	D13/125
4,999,544 A	*	3/1991	Cibor	.....	315/185 S
D322,069 S	*	12/1991	Seror	.....	D14/188
D337,114 S	*	7/1993	Mantz	.....	D14/188
D387,333 S	*	12/1997	Pellow et al.	.....	D13/184
D396,720 S	*	8/1998	Yuyama	.....	D14/188
D427,969 S	*	7/2000	Wei	.....	D13/110
6,466,444 B1	*	10/2002	Cheung	.....	361/703
6,547,001 B1	*	4/2003	McCullough et al.	.....	165/185
D477,568 S	*	7/2003	Milby	.....	D13/110
D478,547 S	*	8/2003	Milby	.....	D13/110
6,603,276 B1	*	8/2003	Chansky et al.	.....	315/362

**1 Claim, 4 Drawing Sheets**



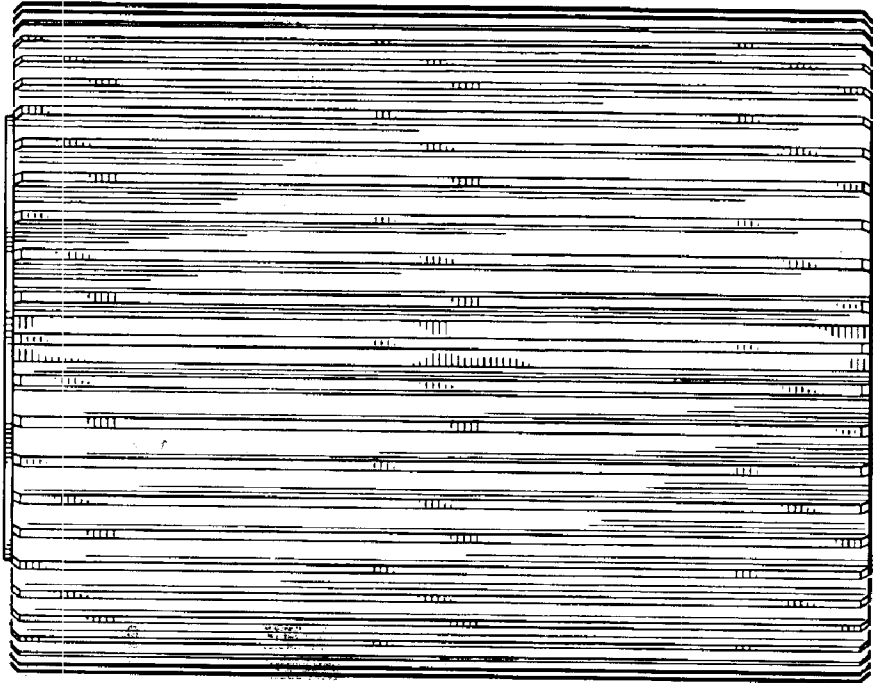


FIG. 1

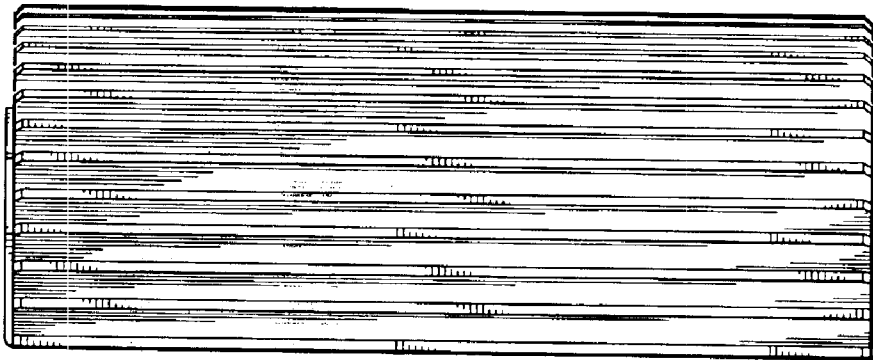


FIG. 2

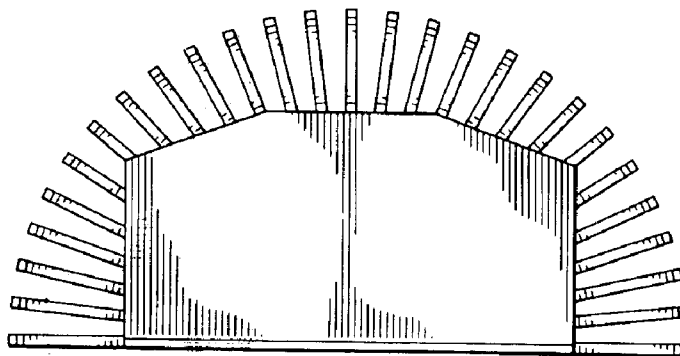


FIG. 3

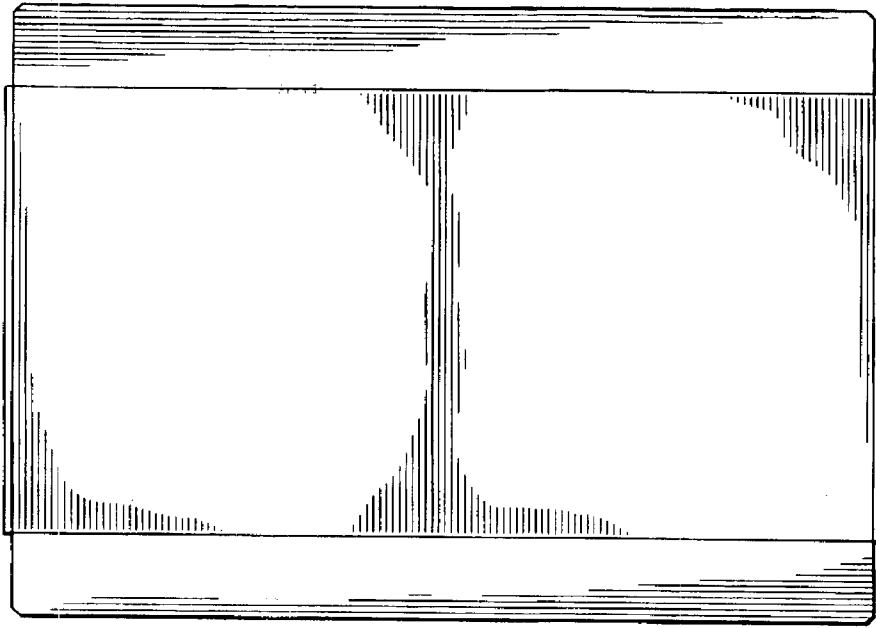


FIG. 4

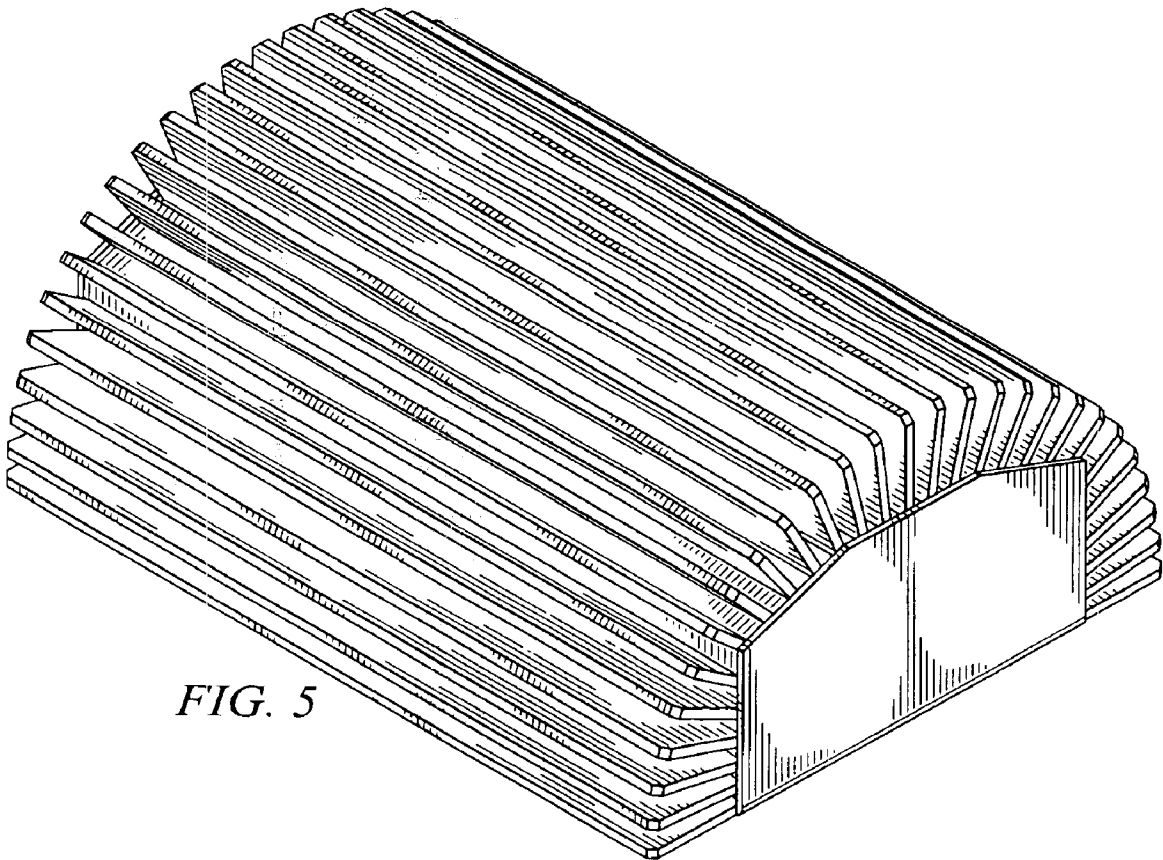
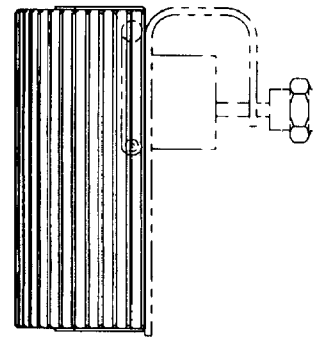
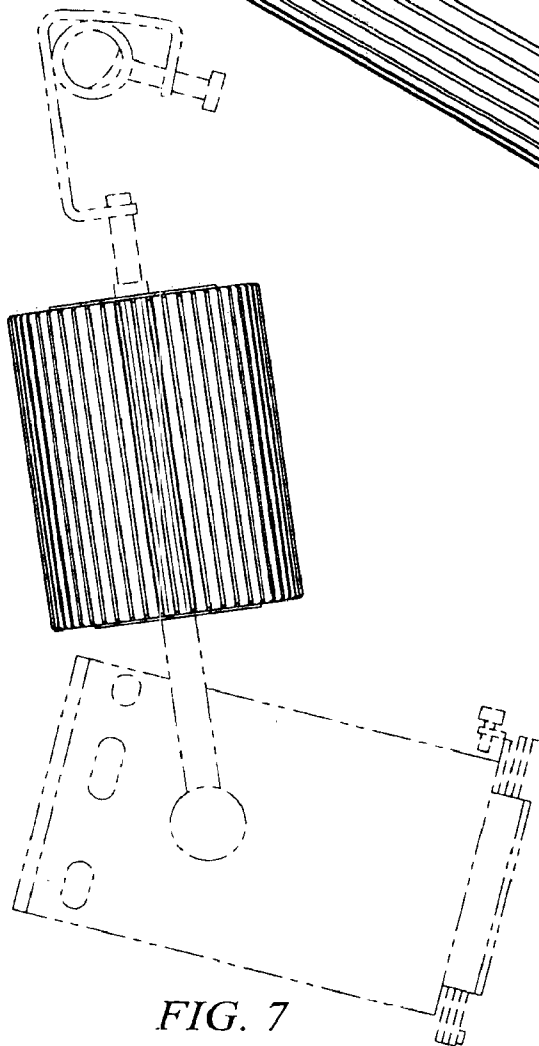
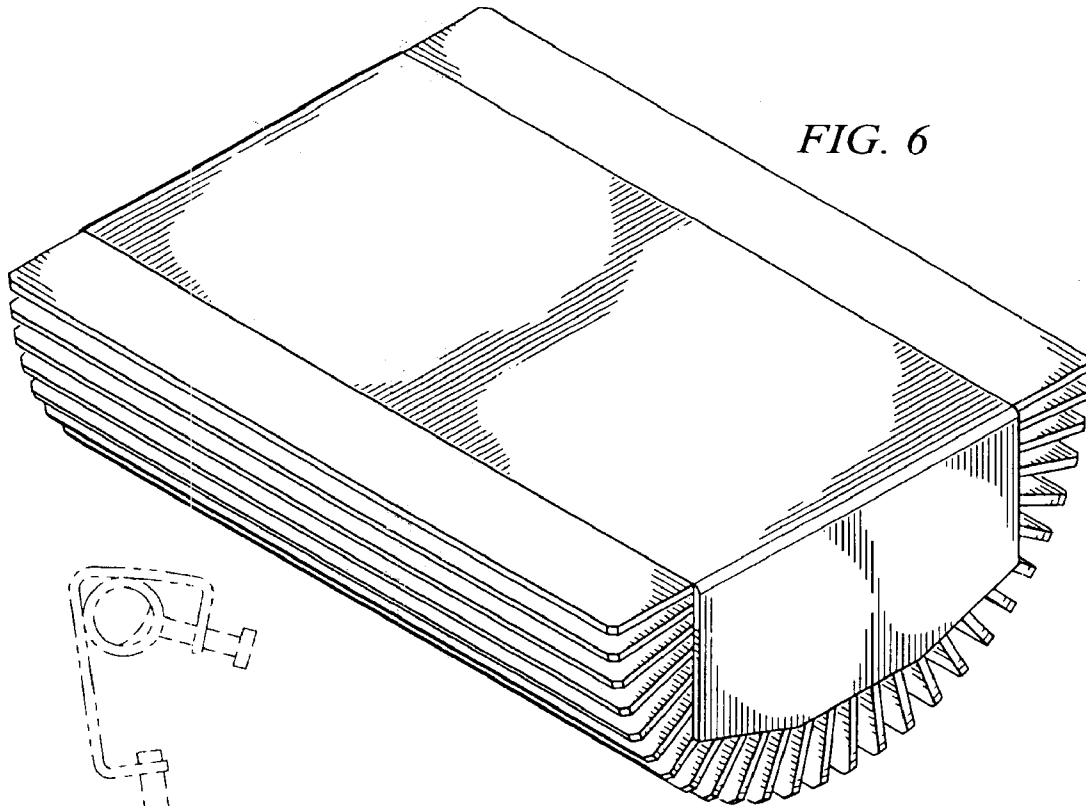


FIG. 5



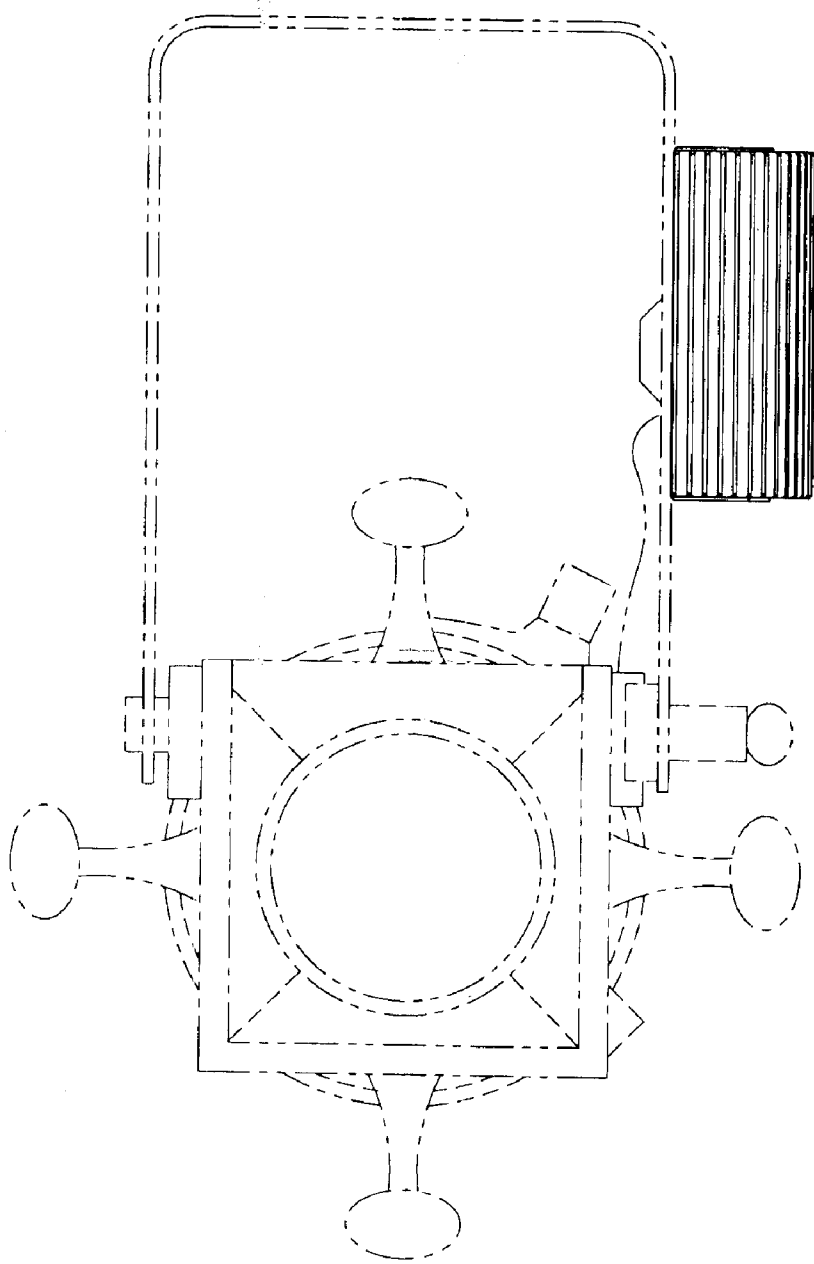


FIG. 9

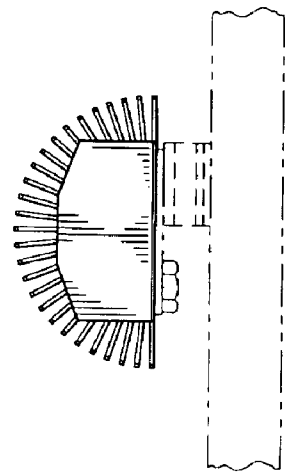


FIG. 10