



US00D518218S

(12) **United States Design Patent**  
**Roberge et al.**

(10) **Patent No.:** **US D518,218 S**

(45) **Date of Patent:** **\*\* Mar. 28, 2006**

(54) **LIGHTING ASSEMBLY**

(75) Inventors: **Brian Roberge**, Franklin, MA (US);  
**Colin Piepgras**, Swampscott, MA (US);  
**Steve T. Kondo**, Salem, MA (US);  
**Peter Swai**, Quincy, MA (US)

(73) Assignee: **Color Kinetics Incorporated**, Boston,  
MA (US)

(\*\*) Term: **14 Years**

(21) Appl. No.: **29/208,518**

(22) Filed: **Jun. 29, 2004**

**Related U.S. Application Data**

(63) Continuation of application No. 10/839,765, filed on May 5,  
2004.

(51) **LOC (8) Cl.** ..... **26-05**

(52) **U.S. Cl.** ..... **D26/63**

(58) **Field of Classification Search** ..... D26/24,  
D26/61, 63-65, 104; 362/269, 277, 282,  
362/285, 287, 418, 419, 427

See application file for complete search history.

(56) **References Cited**

**U.S. PATENT DOCUMENTS**

1,882,185 A \* 10/1932 Graham ..... 362/427

2,057,278 A	*	10/1936	Richardson	.....	362/277
2,200,114 A	*	5/1940	Konikoff	.....	362/144
D257,890 S	*	1/1981	Aron	.....	D26/63
4,259,710 A	*	3/1981	Schlack	.....	362/267
5,025,359 A	*	6/1991	Saluja et al.	.....	362/402
D328,148 S	*	7/1992	Waldmann	.....	D26/63
D408,937 S	*	4/1999	Waldmann	.....	D26/63
D437,441 S	*	2/2001	Shoemaker et al.	.....	D26/63
6,183,116 B1	*	2/2001	Harter et al.	.....	362/368
D482,152 S	*	11/2003	Hussaini et al.	.....	D26/63

\* cited by examiner

*Primary Examiner*—Clare E Heflin

(74) *Attorney, Agent, or Firm*—Foley & Hoag LLP

(57) **CLAIM**

The ornamental design for a lighting assembly, as shown and described.

**DESCRIPTION**

FIG. 1 is a front view of a lighting assembly design;

FIG. 2 is a side view thereof;

FIG. 3 is a rear view thereof;

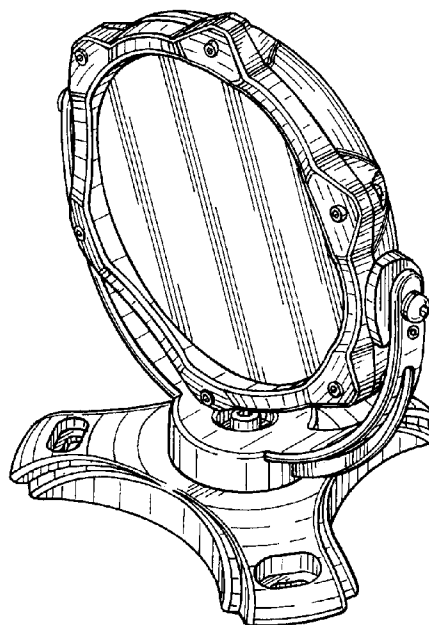
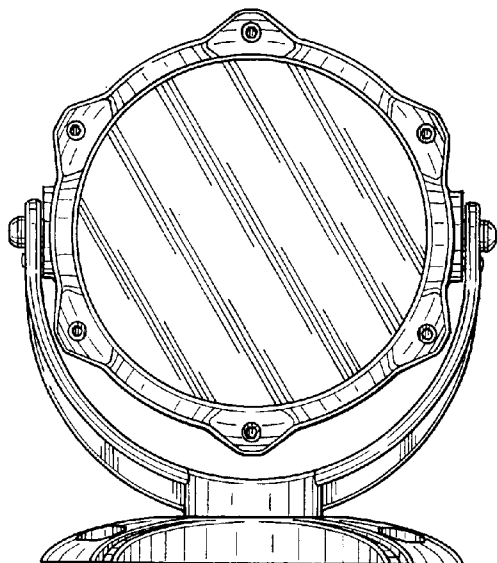
FIG. 4 is a top view thereof; and,

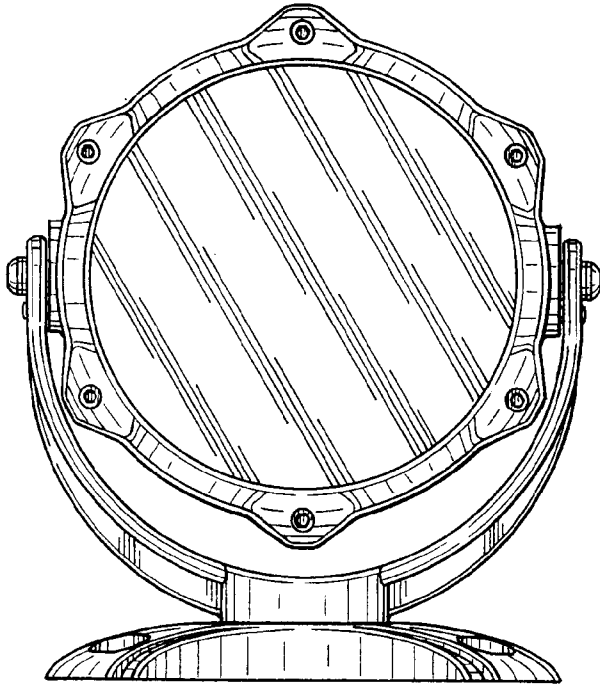
FIG. 5 is a perspective view thereof.

The bottom surface of the lighting assembly is plain and non-ornamental.

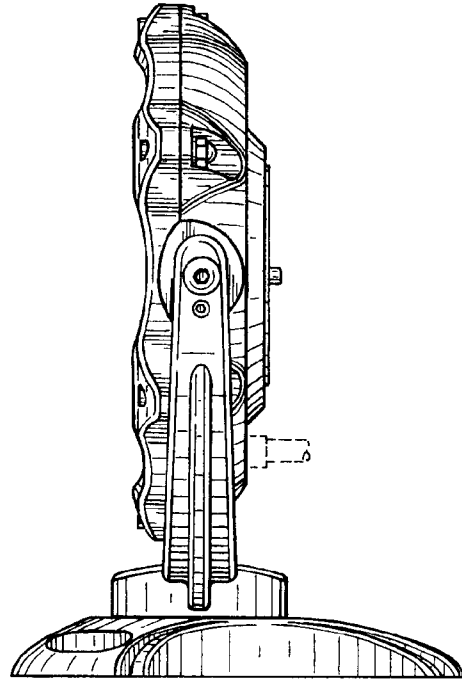
The broken lines shown on the drawings are for illustrative purposes only and form no part of the claimed design.

**1 Claim, 2 Drawing Sheets**

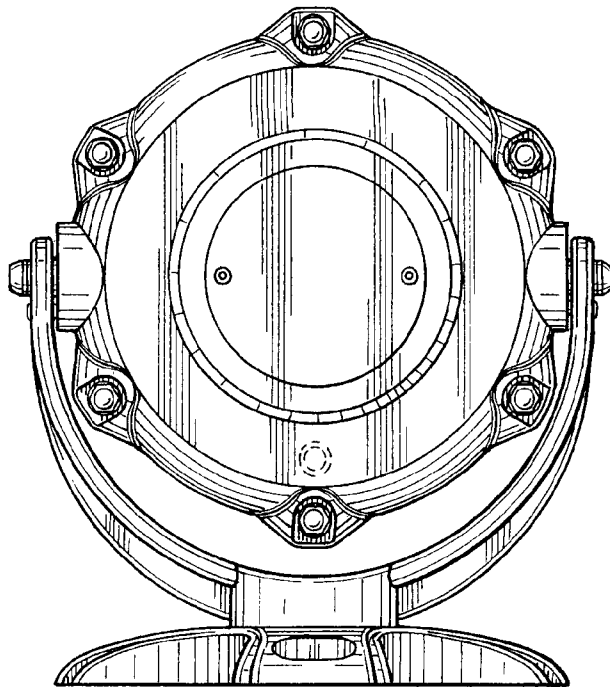




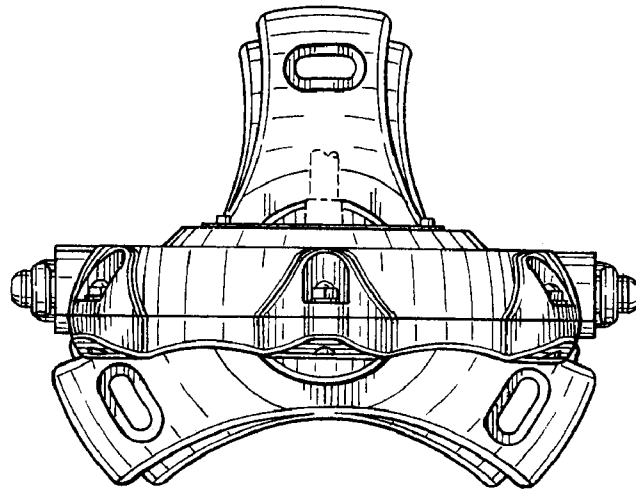
*Fig. 1*



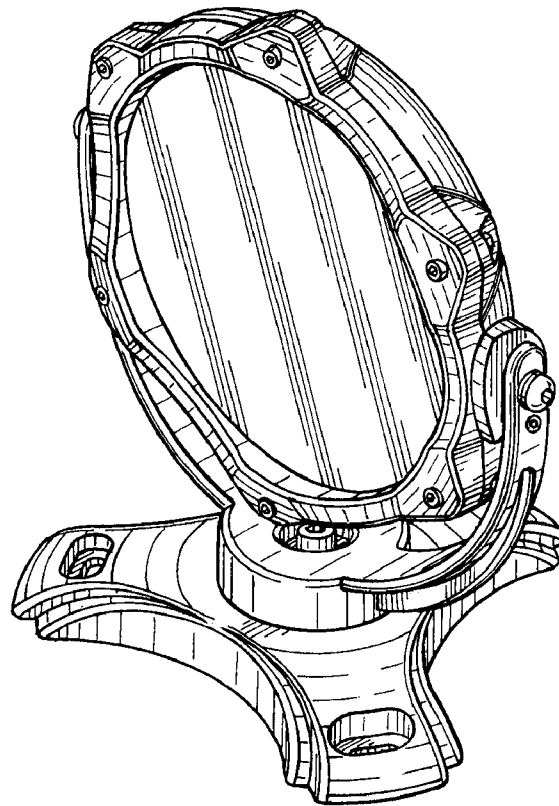
*Fig. 2*



*Fig. 3*



*Fig. 4*



*Fig. 5*