



US00D477885S

(12) **United States Design Patent**
Esakoff

(10) **Patent No.:** **US D477,885 S**

(45) **Date of Patent:** **** Jul. 29, 2003**

(54) **LAMP**

(75) **Inventor:** **Gregory F. Esakoff**, Huntington Beach, CA (US)

(73) **Assignee:** **Electronic Theatre Controls, Inc.**, Middleton, WI (US)

(**) **Term:** **14 Years**

(21) **Appl. No.:** **29/170,993**

(22) **Filed:** **Nov. 14, 2002**

(51) **LOC (7) Cl.** **26-06**

(52) **U.S. Cl.** **D26/6**

(58) **Field of Search** D26/1, 2, 3, 4;
313/313, 315, 317, 318, 491, 493, 567,
569, 579; 315/56, 57, 58, 73; 362/307,
309, 310

(56) **References Cited**

U.S. PATENT DOCUMENTS

4,747,029 A	5/1988	Liverance et al.
4,764,854 A	8/1988	Matsune et al.
4,841,419 A	6/1989	Ohishi
5,361,191 A	11/1994	Matsuzaki et al.

D395,714 S	*	6/1998	Murata	D26/2
D395,716 S	*	6/1998	Murata	D26/2
D450,860 S	*	11/2001	Moriyama et al.	D26/2
D464,445 S	*	10/2002	Honda et al.	D26/2

* cited by examiner

Primary Examiner—Marcus A. Jackson

(74) *Attorney, Agent, or Firm*—Greer, Burns & Crain, Ltd.; Philip M. Kolehmainen

(57) **CLAIM**

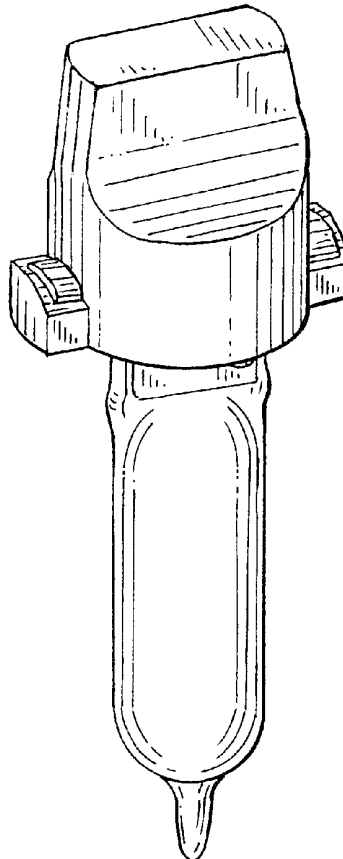
I claim the ornamental design for lamp, as shown and described.

DESCRIPTION

FIG. 1 is a rear and left side isometric view of the lamp showing my new design;
FIG. 2 is a front view of the lamp;
FIG. 3 is a rear view of the lamp;
FIG. 4 is a left side view of the lamp; and,
FIG. 5 is a top view of the lamp.

The left and right sides of the lamp are mirror images of one another. The top and bottom of the lamp are mirror images of one another.

1 Claim, 1 Drawing Sheet



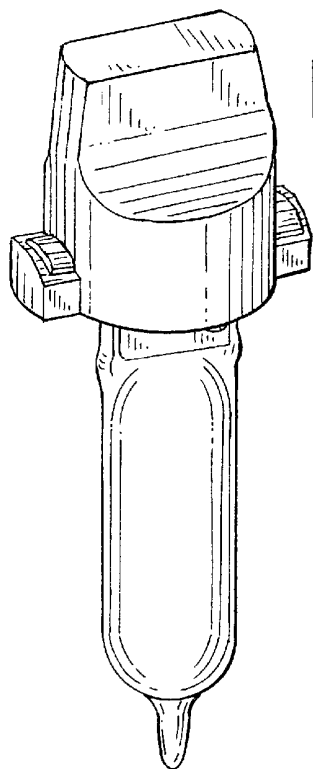


FIG. 1

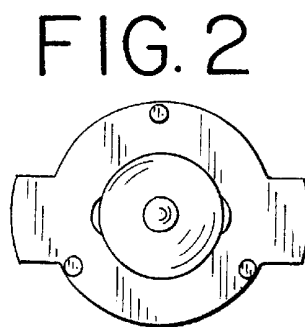


FIG. 2

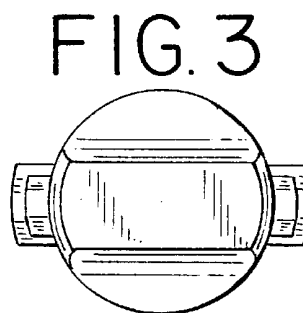


FIG. 3

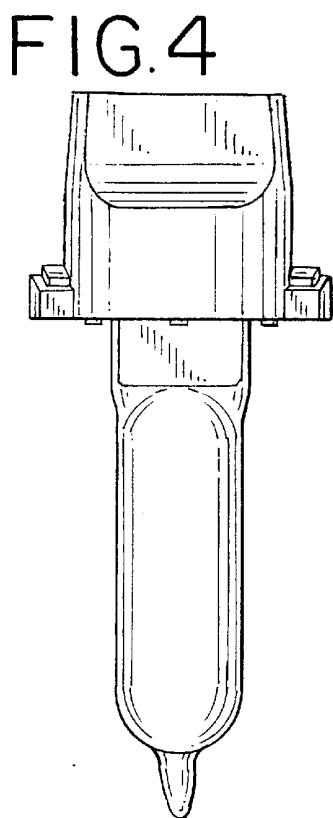


FIG. 4

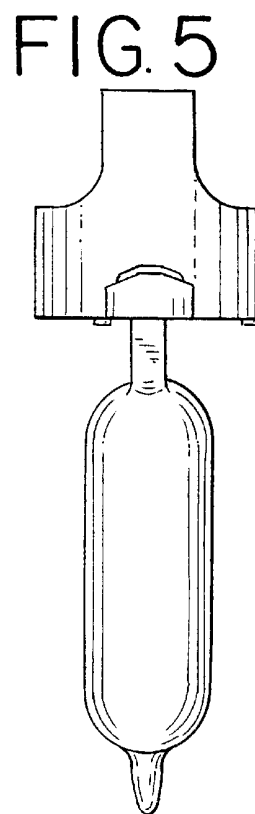


FIG. 5