



US00D457673S

(12) **United States Design Patent**  
**Martinson et al.**

(10) **Patent No.:** **US D457,673 S**

(45) **Date of Patent:** **\*\* May 21, 2002**

(54) **LAMP HEAD ASSEMBLY**

(75) Inventors: **Timothy S. Martinson**, Arlington;  
**Timothy W. Terleski**, Garland, both of  
TX (US)

(73) Assignee: **Vari-Lite, Inc.**, Dallas, TX (US)

(\*\*) Term: **14 Years**

(21) Appl. No.: **29/148,866**

(22) Filed: **Sep. 28, 2001**

(51) **LOC (7) Cl.** ..... **26-05**

(52) **U.S. Cl.** ..... **D26/63**

(58) **Field of Search** ..... D26/60-66; 362/267,  
362/269, 271, 272, 282, 287, 418, 419,  
427

(56) **References Cited**

**U.S. PATENT DOCUMENTS**

D324,431 S	3/1992	Richardson et al.	
D348,744 S	7/1994	Johnson et al.	
D350,408 S	9/1994	Leigh et al.	
5,345,371 A	9/1994	Cunningham et al.	
D359,574 S	6/1995	Bornhorst et al.	
D366,712 S	1/1996	Hanson et al.	
D372,550 S	8/1996	Stultz	
D414,888 S	10/1999	McNatt et al.	
D415,301 S	10/1999	Stacy et al.	
D417,300 S	11/1999	Stacy et al.	
D425,232 S *	5/2000	Chang	D26/63
D439,356 S *	3/2001	Martinson et al.	D26/63

**OTHER PUBLICATIONS**

STUDIO BEAM; High End Systems; VL1000 Design;  
Brochure & Data Sheet, 2001; United States.  
STUDIO SPOT CMY; High End Systems; VL1000 Design;  
Brochure & Data Sheet, 2001; United States.

X. SPOT; High End Systems; VL1000 Design; Brochure &  
Data Sheet, 2001; United States.

MAC 2000 PROFILE—EXTREME LIGHT; Martin;  
VL1000 Design; Leaflet; United States.

\* cited by examiner

*Primary Examiner*—Marcus A. Jackson  
(74) *Attorney, Agent, or Firm*—Carr & Storm, L.L.P.

(57) **CLAIM**

We claim the ornamental design of a lamp head assembly, as  
shown and described.

**DESCRIPTION**

FIG. 1 is a perspective view showing the front, top and side  
of a lamp head assembly;

FIG. 2 is a perspective view showing the rear, top and side  
thereof;

FIG. 3 is a front view thereof;

FIG. 4 is a bottom view thereof;

FIG. 5 is a top view thereof;

FIG. 6 is a rear view thereof;

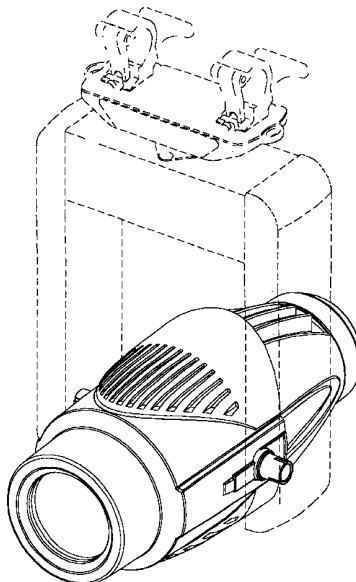
FIG. 7 is a side view of a lighting instrument;

FIG. 8 is another side view thereof;

FIG. 9 is a perspective view of a lamp head assembly like  
FIG. 1 mounted in yoke, with the portion mentioned in  
broken lines only and forming no part of the claimed design;  
and,

FIG. 10 is another perspective view of a lamp head assembly  
in mounted yoke.

**1 Claim, 6 Drawing Sheets**



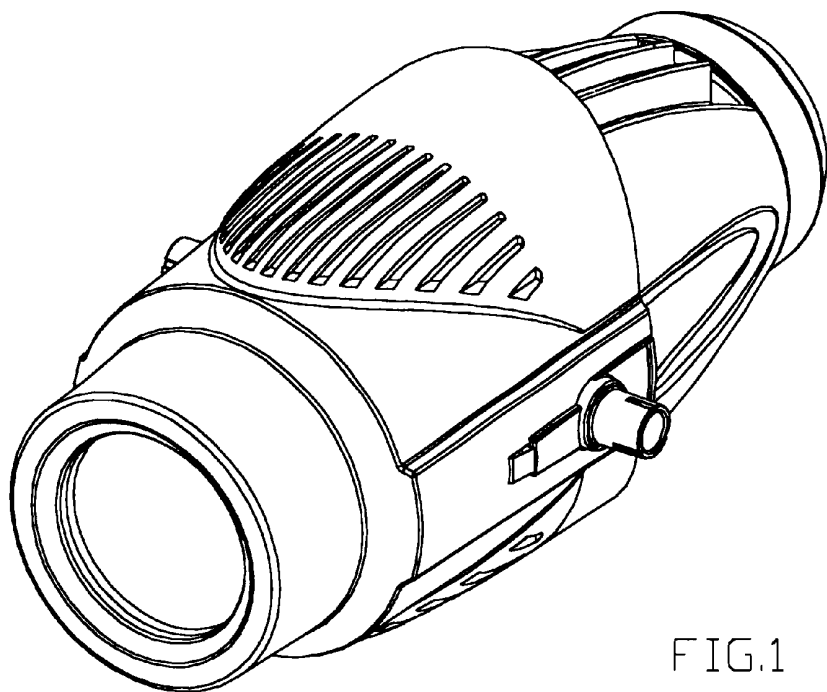


FIG.1

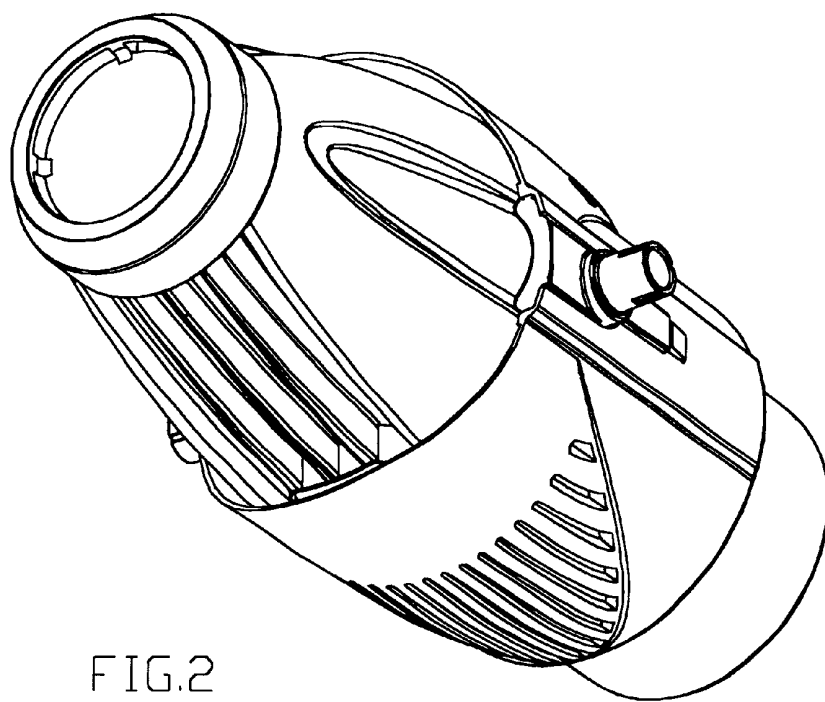


FIG.2

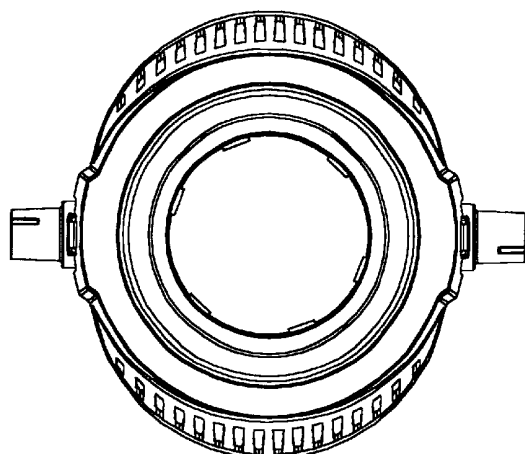


FIG.3

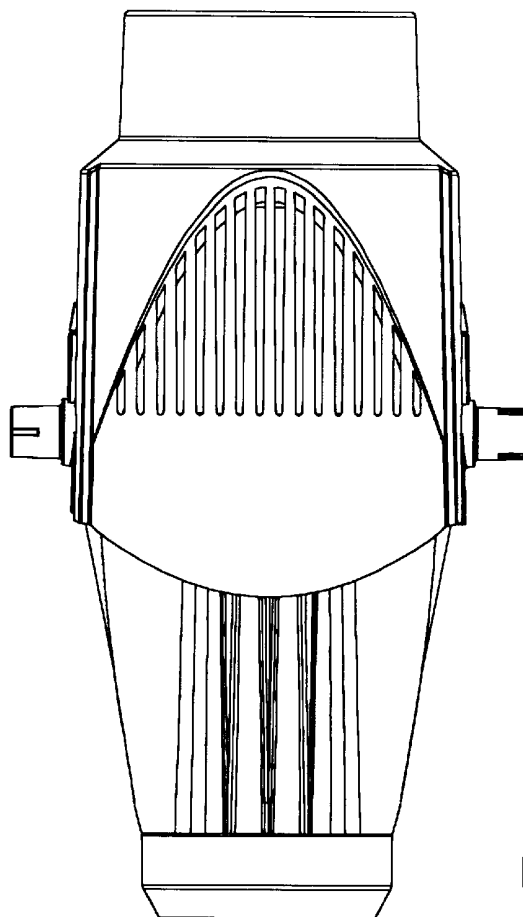


FIG.4

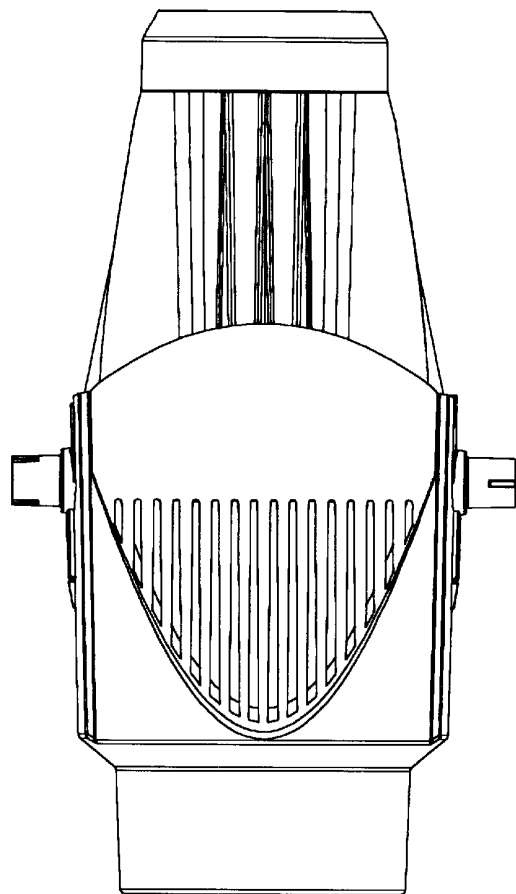


FIG.5

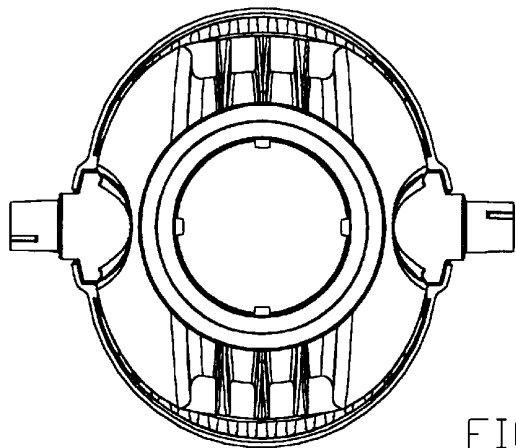


FIG.6

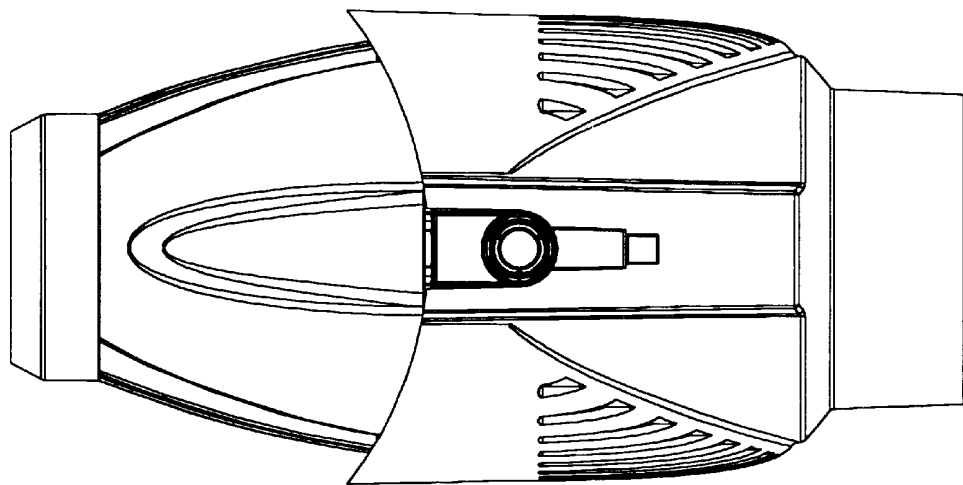


FIG. 7

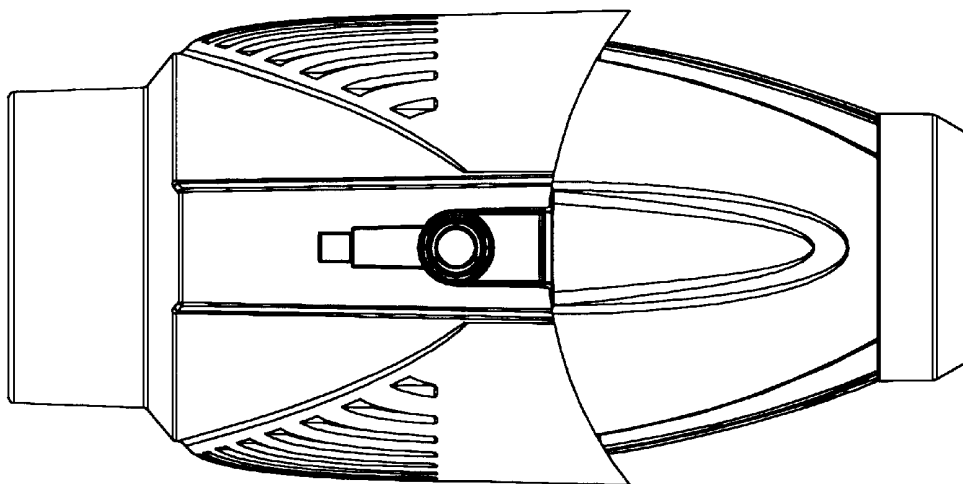


FIG. 8

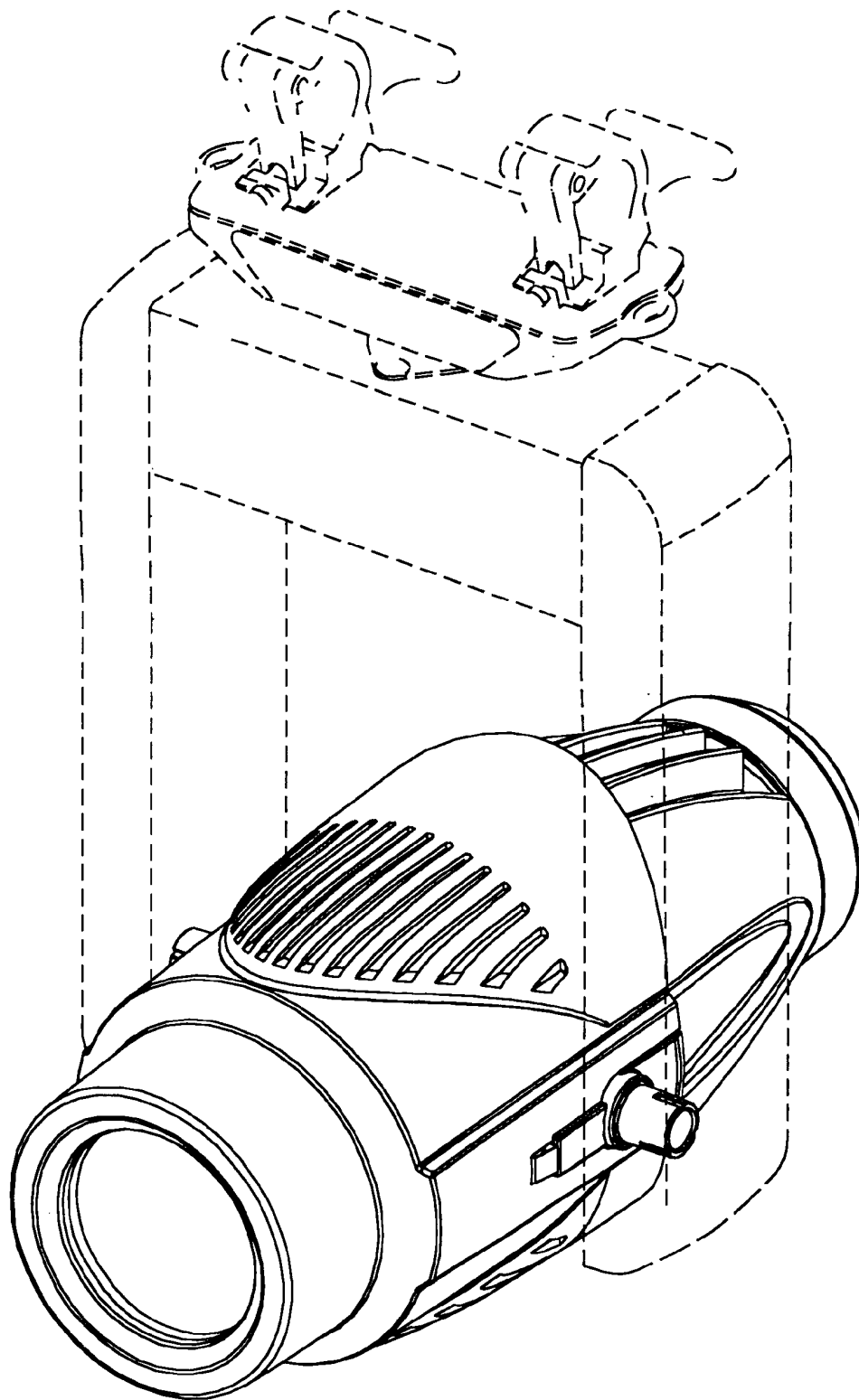


FIG. 9

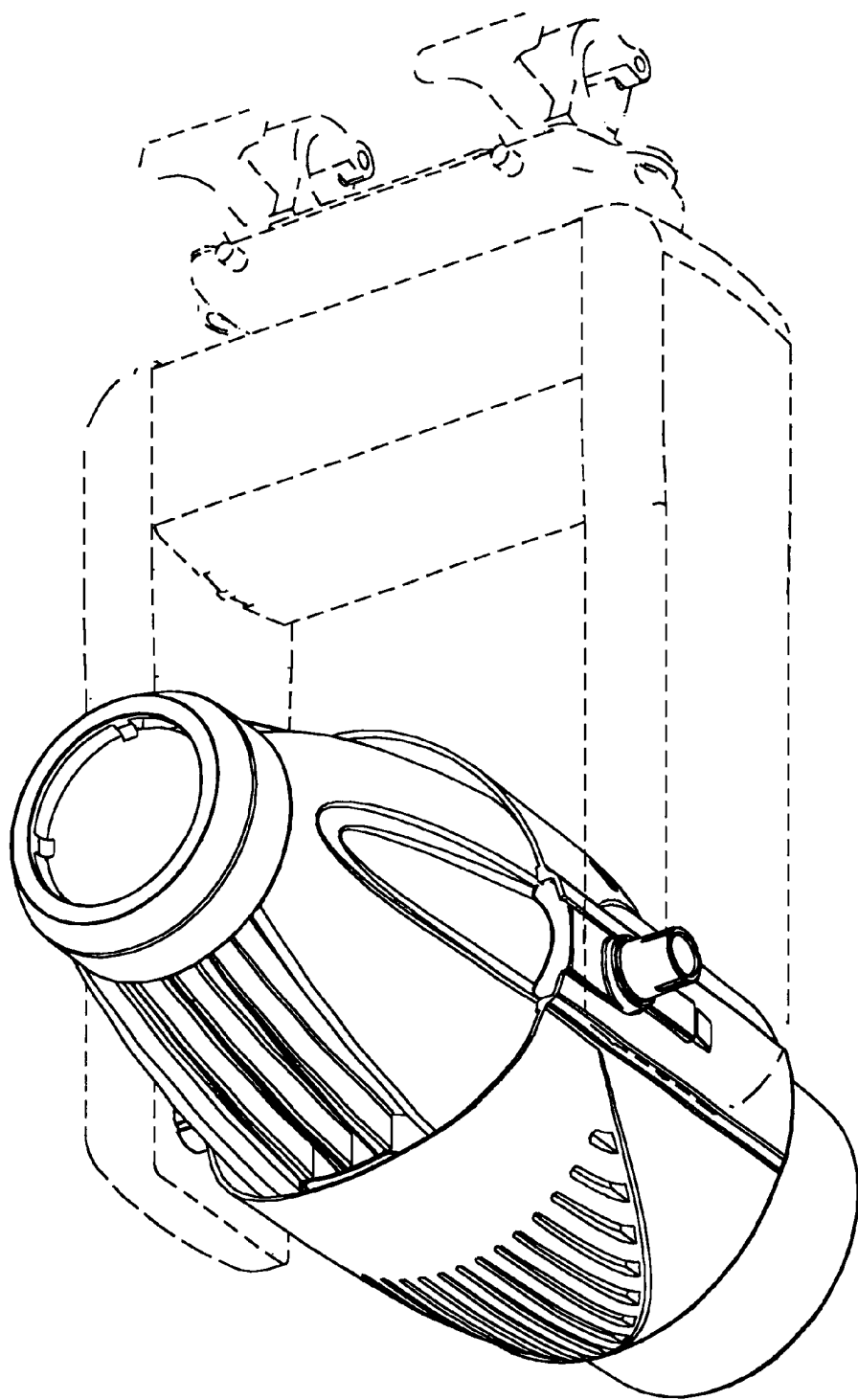


FIG.10