



US00D414888S

United States Patent [19]

[11] **Patent Number: Des. 414,888**

McNatt et al.

[45] **Date of Patent: ** Oct. 5, 1999**

[54] **ADJUSTABLE COMPACT LUMINAIRE**

D. 394,424	5/1998	Wachter	D26/63 X
D. 394,723	5/1998	Mier-Langner et al.	D26/63
4,581,689	4/1986	Oram	362/275
5,176,442	1/1993	Richardson	362/286

[75] Inventors: **Bryan S. McNatt**, Plano; **Breck M. Outland**, Dallas; **Christina Michelle Brunson**, Irving, all of Tex.

Primary Examiner—Susan J. Lucas
Attorney, Agent, or Firm—Hughes & Luce, L.L.P.

[73] Assignee: **Vari-Lite, Inc.**, Dallas, Tex.

[57] **CLAIM**

[**] Term: **14 Years**

The ornamental design for an adjustable compact luminaire, as shown and described.

[21] Appl. No.: **29/096,428**

DESCRIPTION

[22] Filed: **Nov. 12, 1998**

[51] **LOC (6) Cl.** **26-05**

FIG. 1 is a front view of an adjustable compact luminaire; FIG. 2 is a side view thereof; FIG. 3 is another side view thereof; FIG. 4 is a rear view thereof; FIG. 5 is a top view thereof; FIG. 6 is a bottom view thereof; FIG. 7 is a perspective view thereof showing the front, top, and left-hand side thereof; and, FIG. 8 is a perspective view thereof showing the rear, bottom, and right-hand side thereof.

[52] **U.S. Cl.** **D26/63**

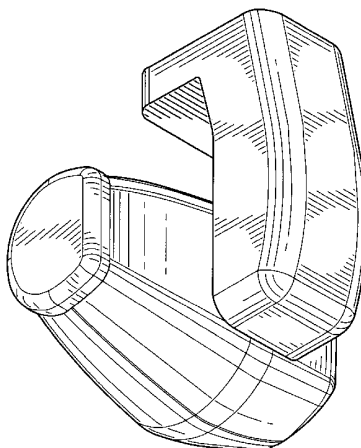
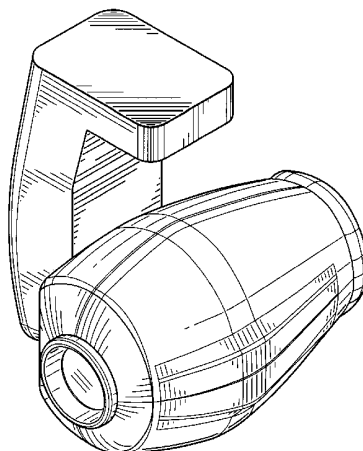
[58] **Field of Search** D26/60, 61, 63; 362/269, 277, 285, 287, 418, 419, 427, 275, 286

[56] **References Cited**

U.S. PATENT DOCUMENTS

D. 324,431	3/1992	Richardson et al.	D26/63
D. 366,712	1/1996	Hanson et al.	D26/63
D. 372,550	8/1996	Stultz	D26/63

1 Claim, 4 Drawing Sheets



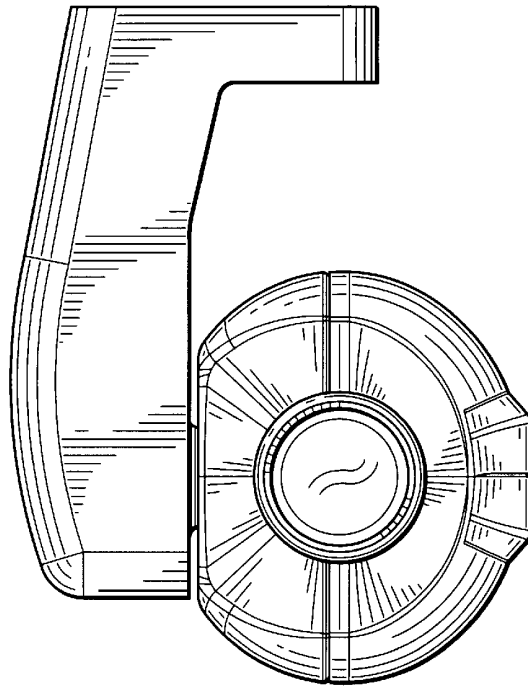


FIG. 1

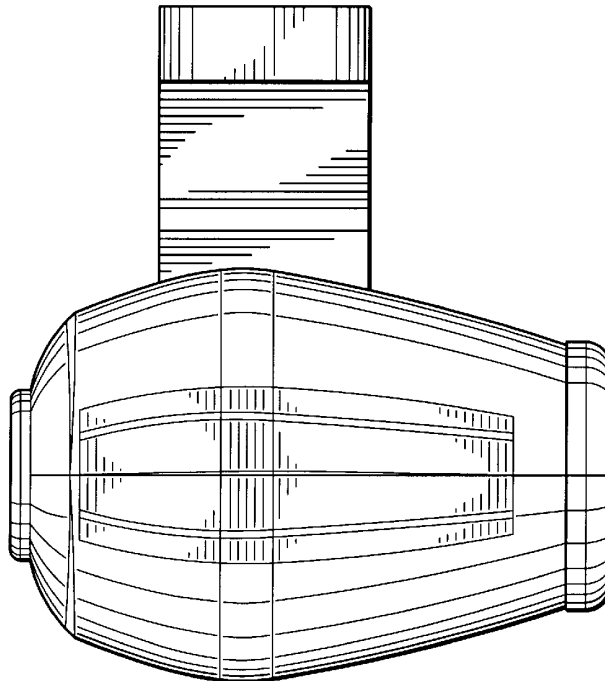


FIG. 2

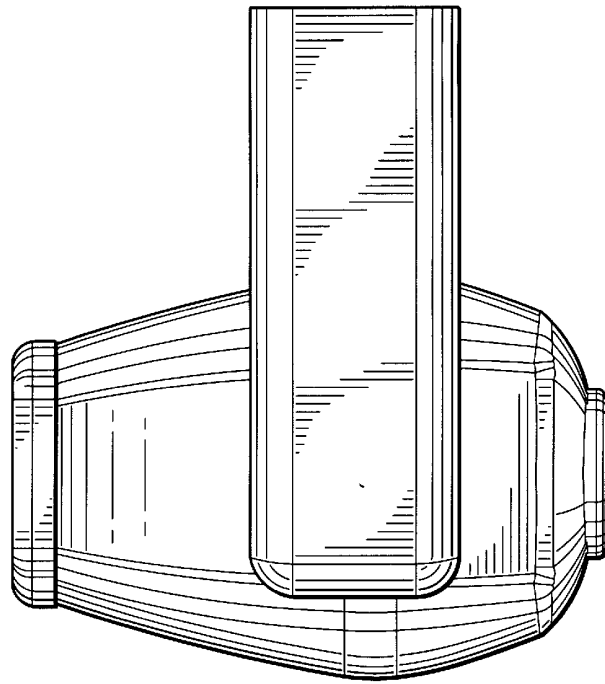


FIG. 3

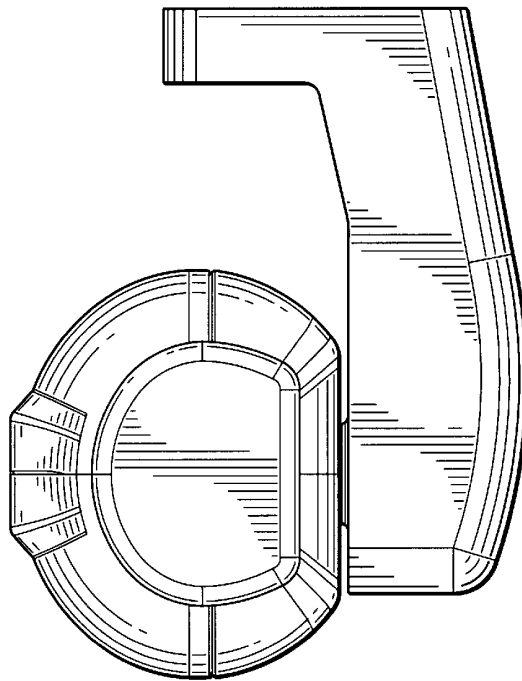


FIG. 4

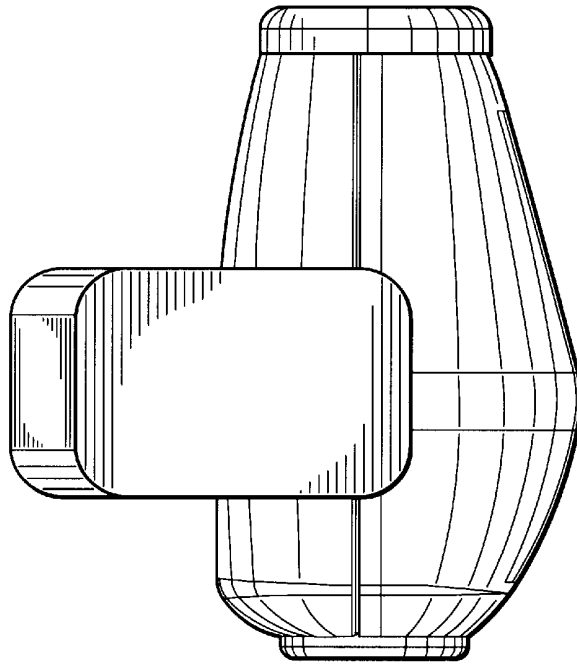


FIG. 5

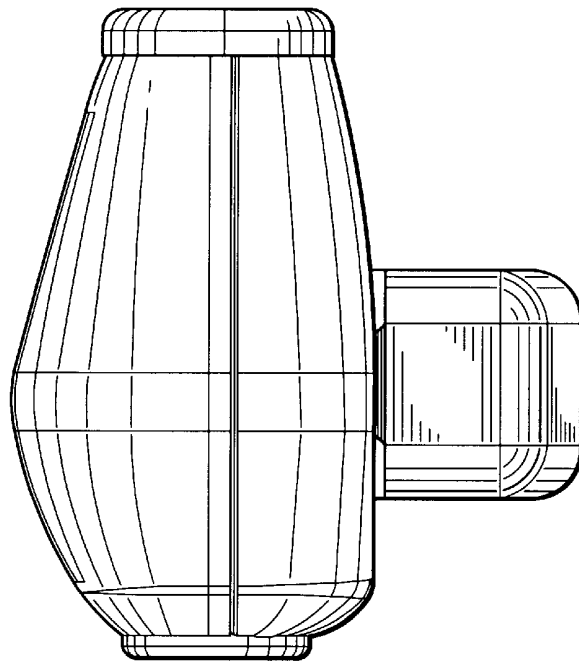


FIG. 6

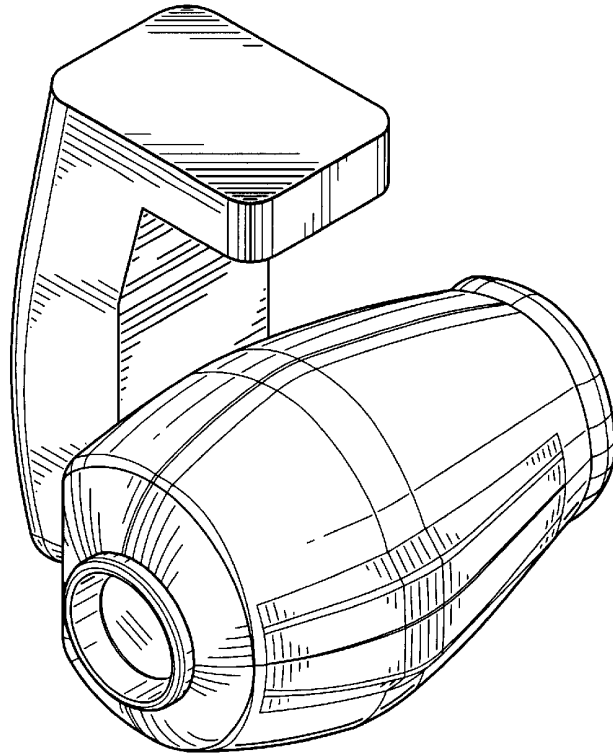


FIG. 7

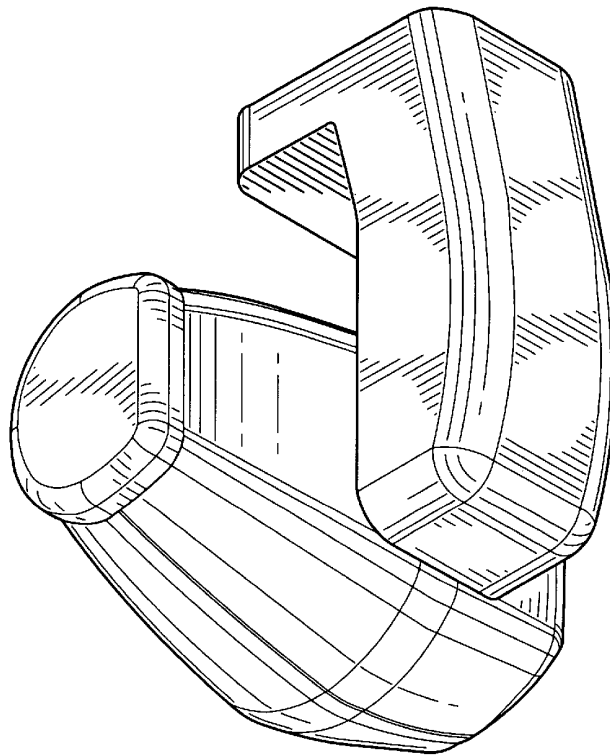


FIG. 8