



US00D377338S

# United States Patent [19]

[11] Patent Number: **Des. 377,338**

**Terleski**

[45] Date of Patent: **\*\*Jan. 14, 1997**

## [54] COMBINED CONTROL CONSOLE CASE AND COVER

## DESCRIPTION

[75] Inventor: **Timothy W. Terleski**, Garland, Tex.

FIG. 1 is a top view of the combined control console case and cover, the cover being omitted for clarity;

[73] Assignee: **Vari-Lite, Inc.**, Dallas, Tex.

FIG. 2 is a bottom view of the case;

[\*\*] Term: **14 Years**

FIG. 3 is a right-side view of the case;

[21] Appl. No.: **27,320**

FIG. 4 is a left-side view of the case;

[22] Filed: **Aug. 18, 1994**

FIG. 5 is a rear view of the case;

[52] U.S. Cl. .... **D13/184**

FIG. 6 is a front view of the case;

[58] Field of Search ..... D13/162, 164,  
D13/184; 315/292, 316; 362/85, 233

FIG. 7 is a perspective view of the case showing the front, top, and right side;

## [56] References Cited

FIG. 8 is a bottom view of the combined control console case and cover, the case being omitted for clarity;

### U.S. PATENT DOCUMENTS

D. 360,404 7/1995 Cotten et al. .... D13/164

FIG. 9 is a top view of the cover;

### OTHER PUBLICATIONS

Leprecon lighting control LP-500 on Leprecon literature ©1984.

FIG. 10 is a right side view of the cover;

*Primary Examiner*—Joel Sincavage  
*Attorney, Agent, or Firm*—Morgan & Finnegan, L.L.P.

FIG. 11 is a left side view of the cover;

## [57] CLAIM

FIG. 12 is a perspective view of the cover showing the front, bottom, and left side;

The ornamental design for a combined control console case and cover, as shown and described.

FIG. 13 is rear view of the cover;

FIG. 14 is front view of the cover;

FIG. 15 is perspective view of the cover showing the front, top, and right side;

FIG. 16 is a perspective view of the cover as placed upon the control console case; and,

FIG. 17 is a perspective view of the control console case as placed upon the cover which has been inverted to serve as a stand for the control console case.

**1 Claim, 13 Drawing Sheets**

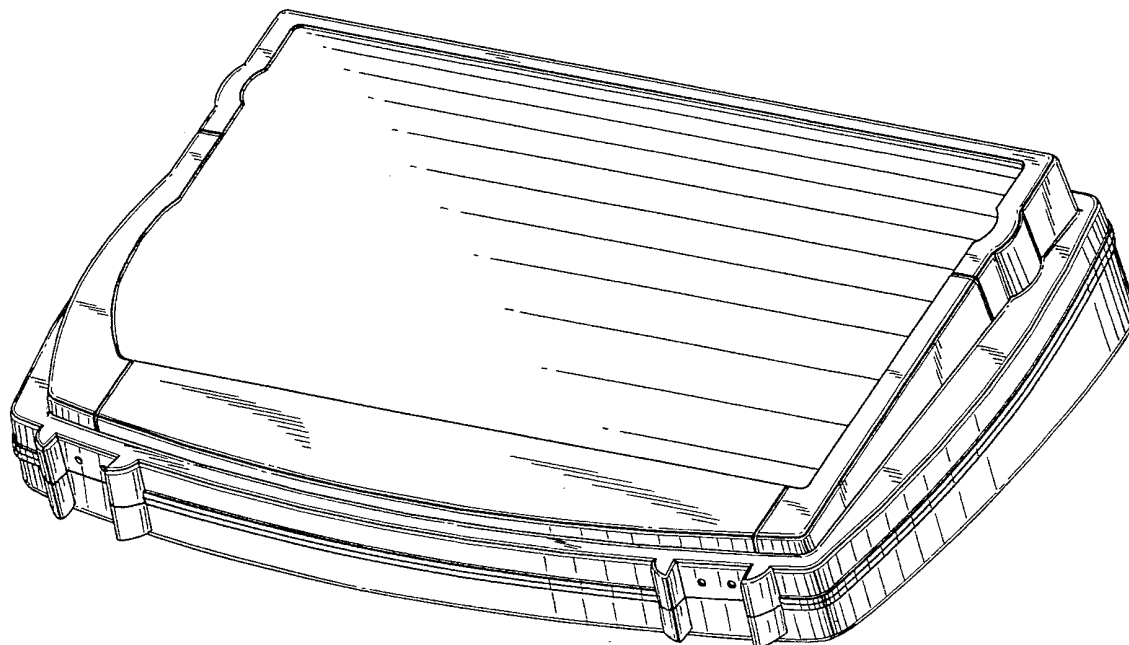


FIG. 1

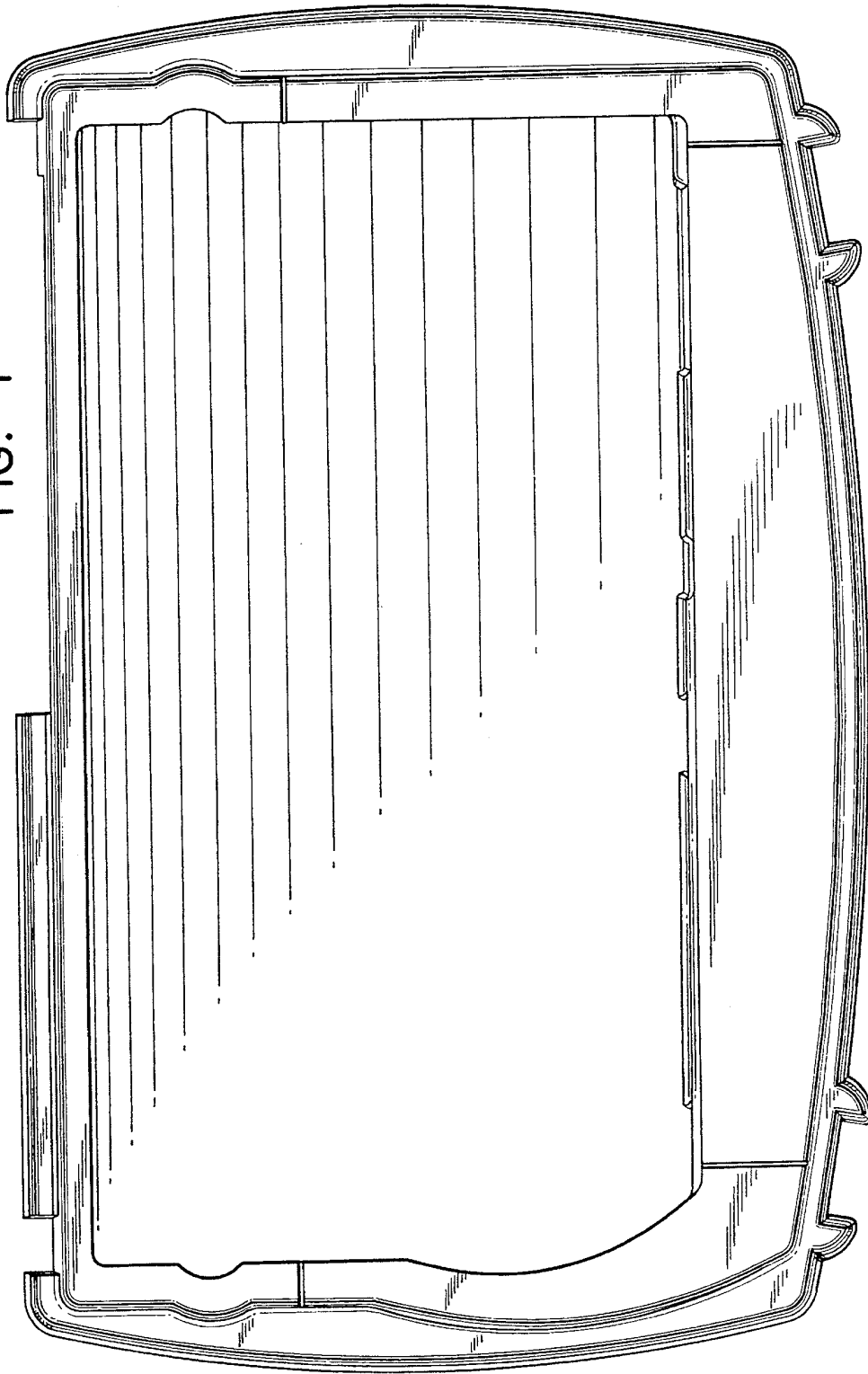


FIG. 2

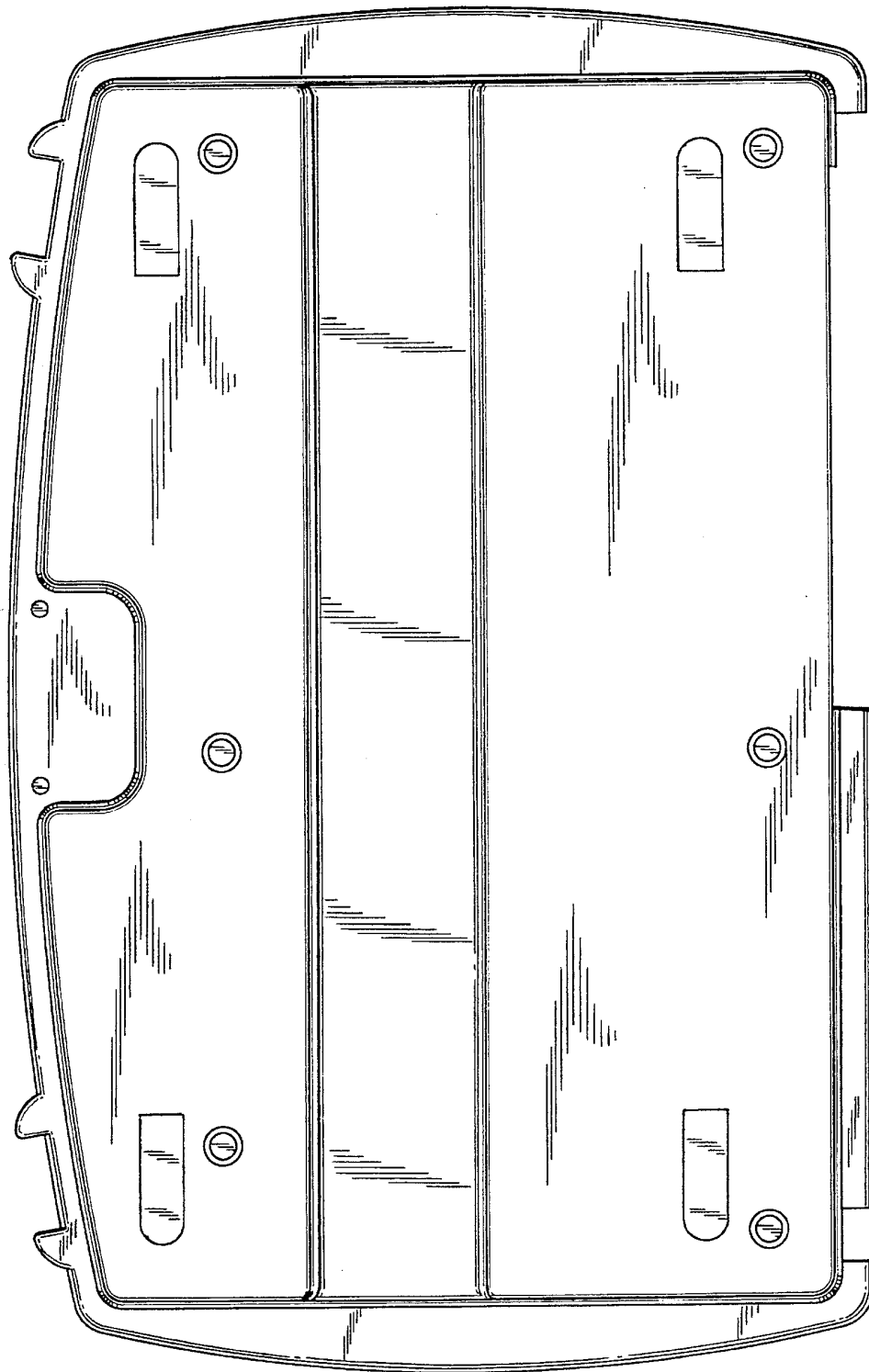


FIG. 3

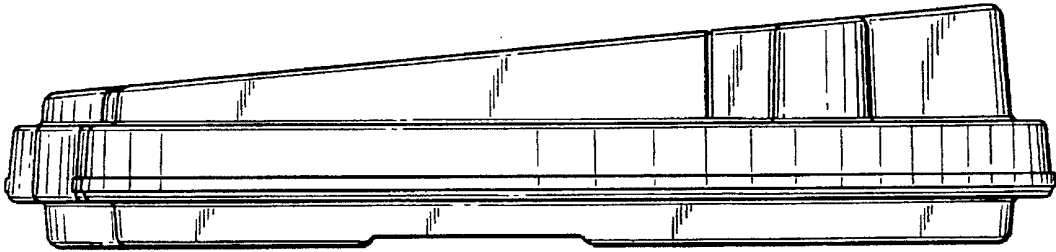


FIG. 4

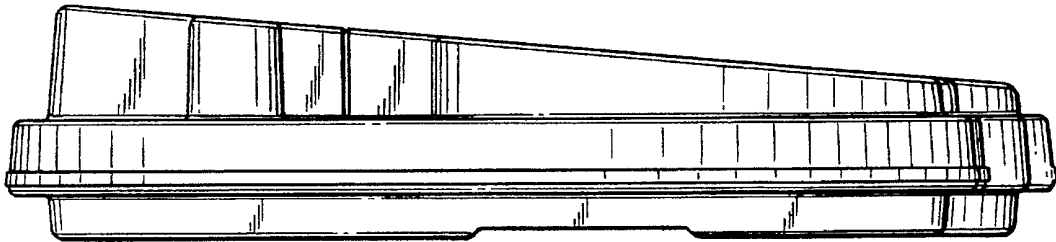


FIG. 5

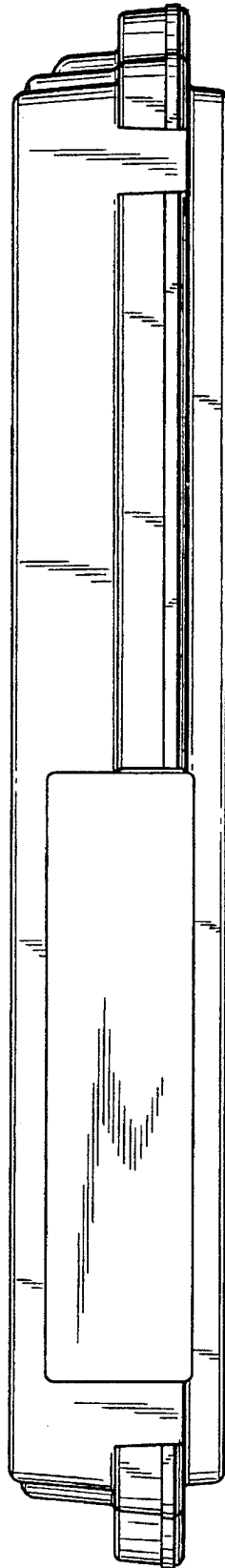


FIG. 6

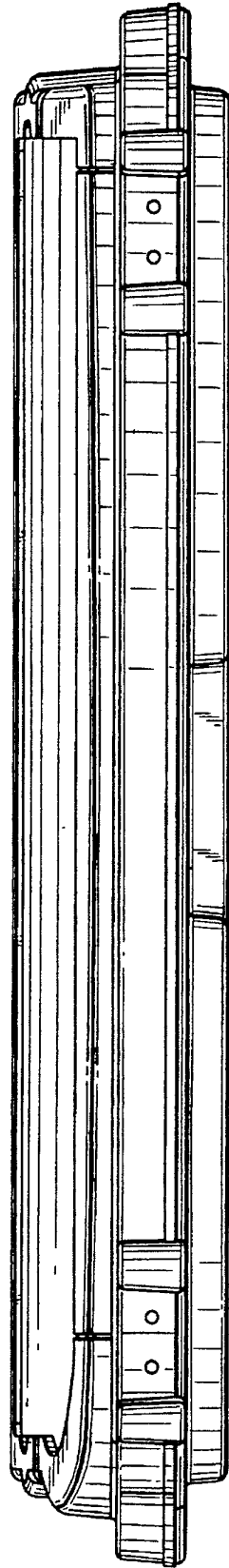


FIG. 7

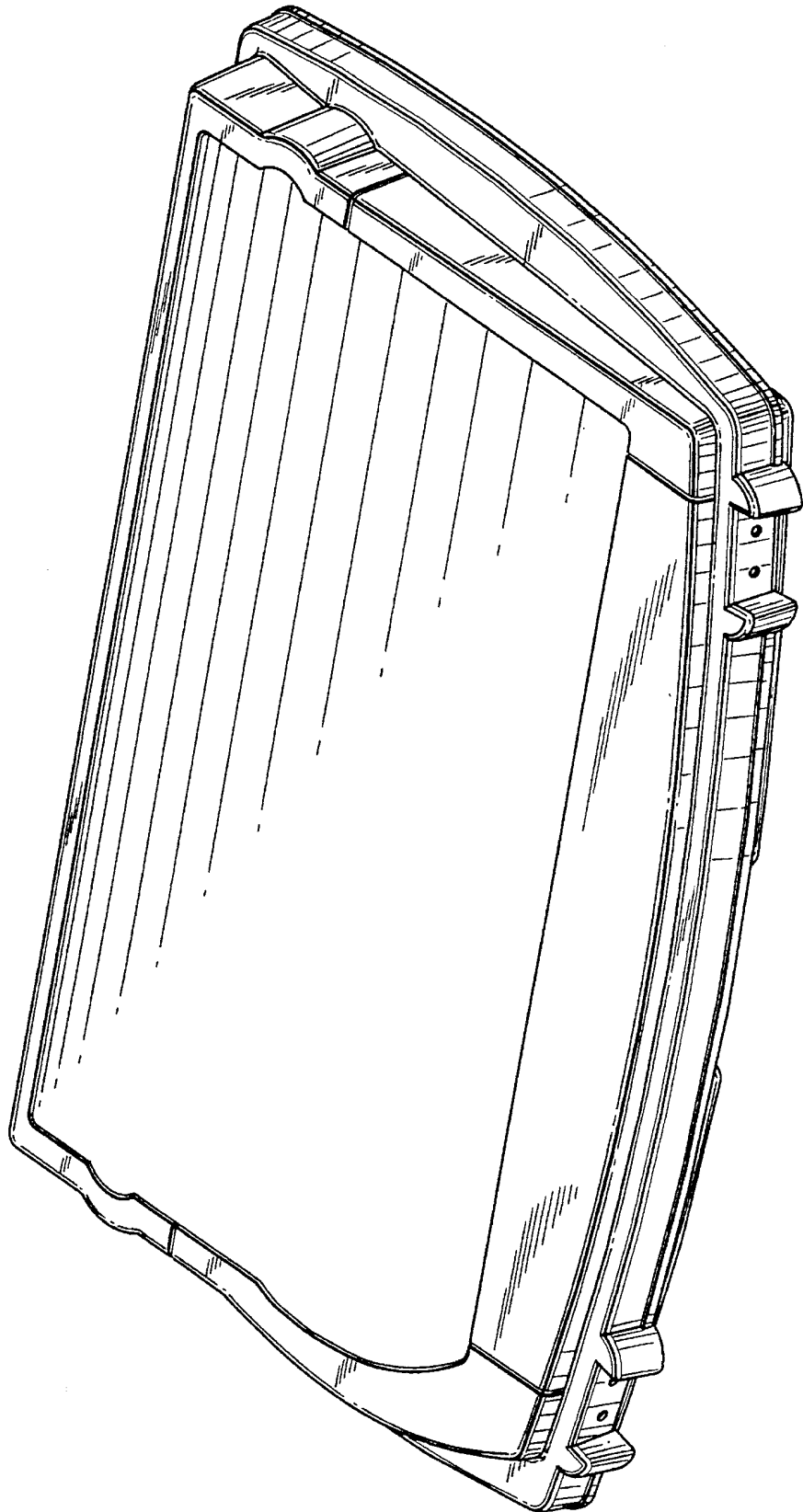


FIG. 8

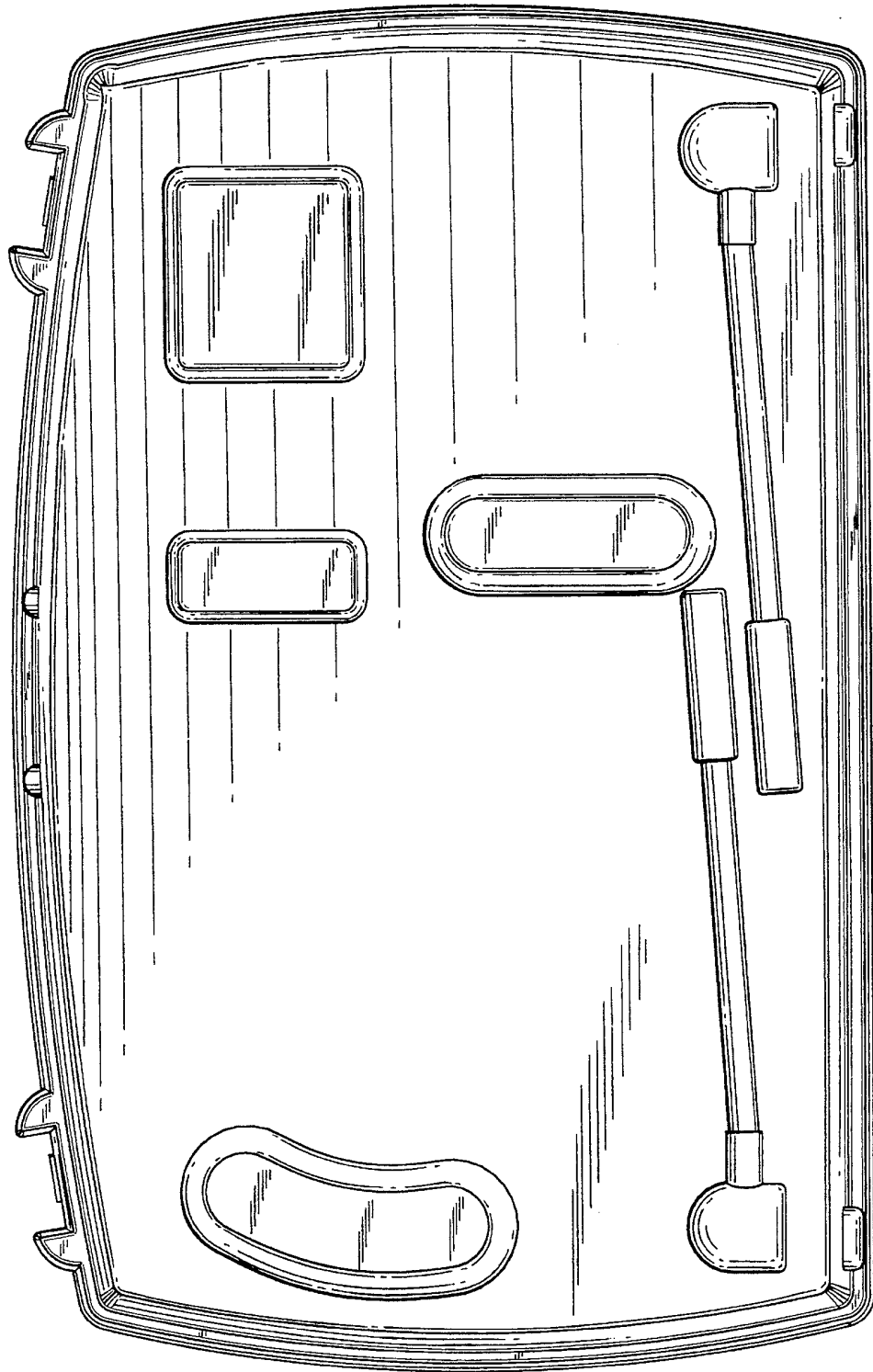
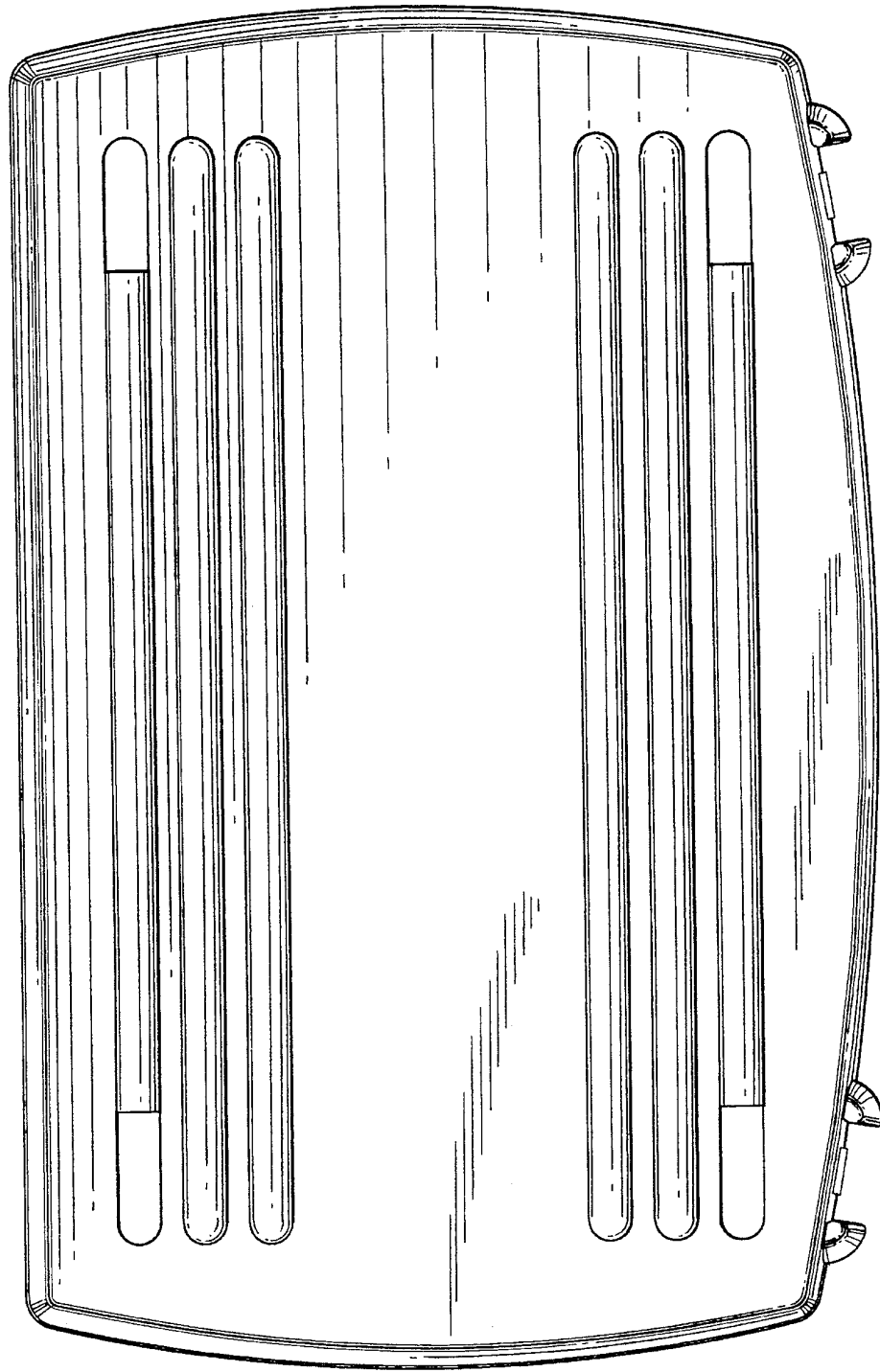


FIG. 9



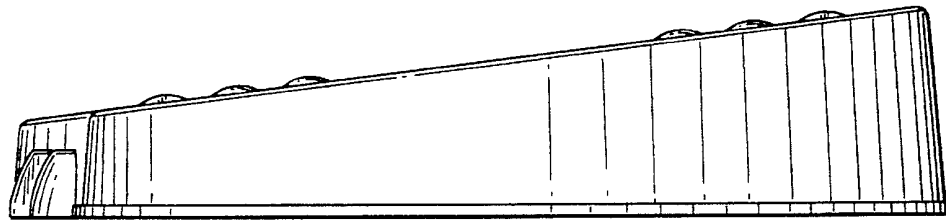


FIG. 10

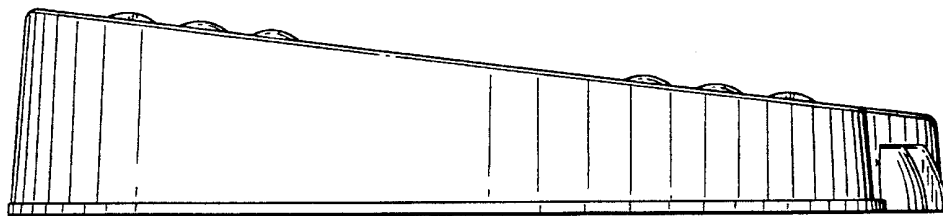
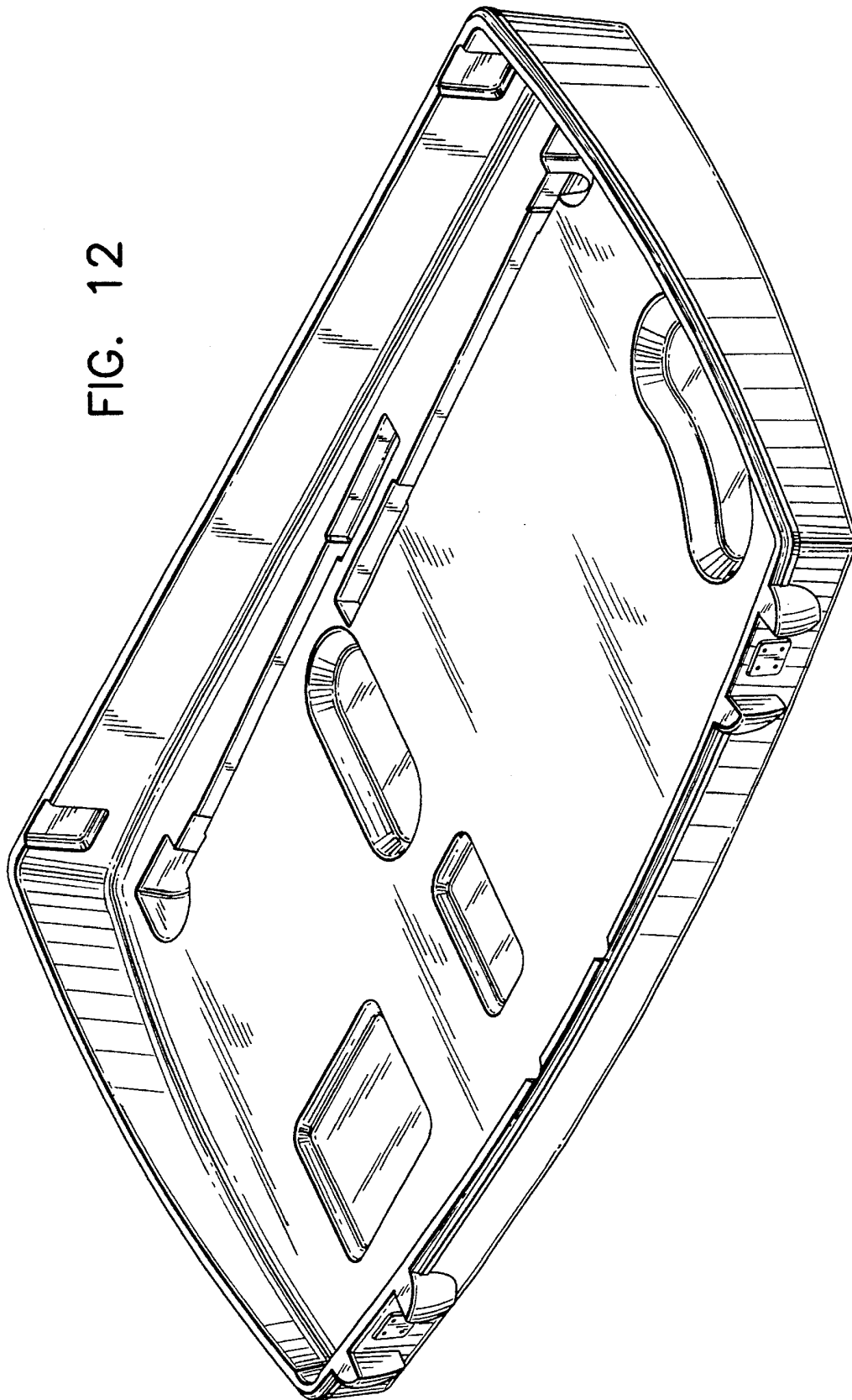


FIG. 11

FIG. 12



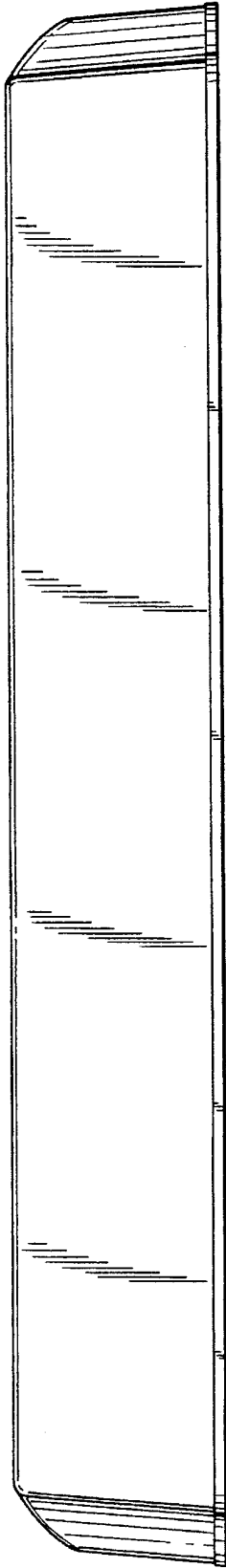


FIG. 13

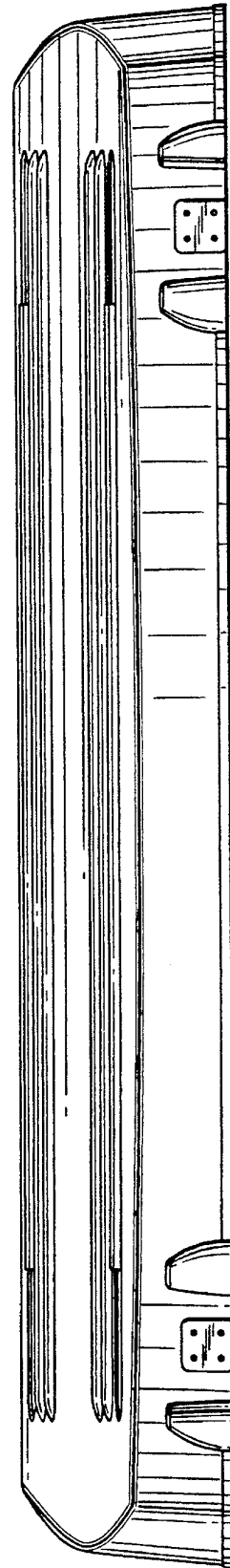


FIG. 14

FIG. 15

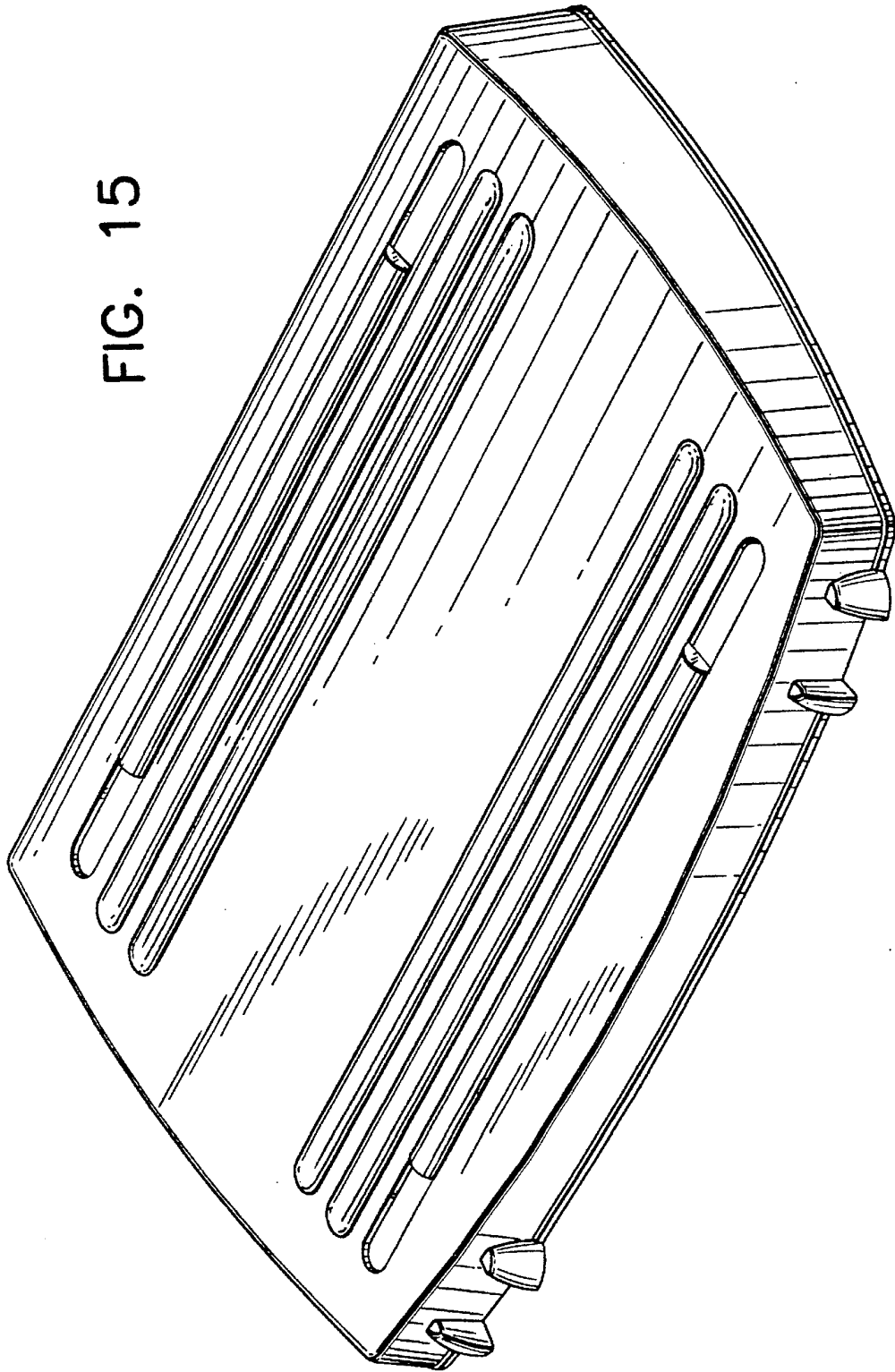
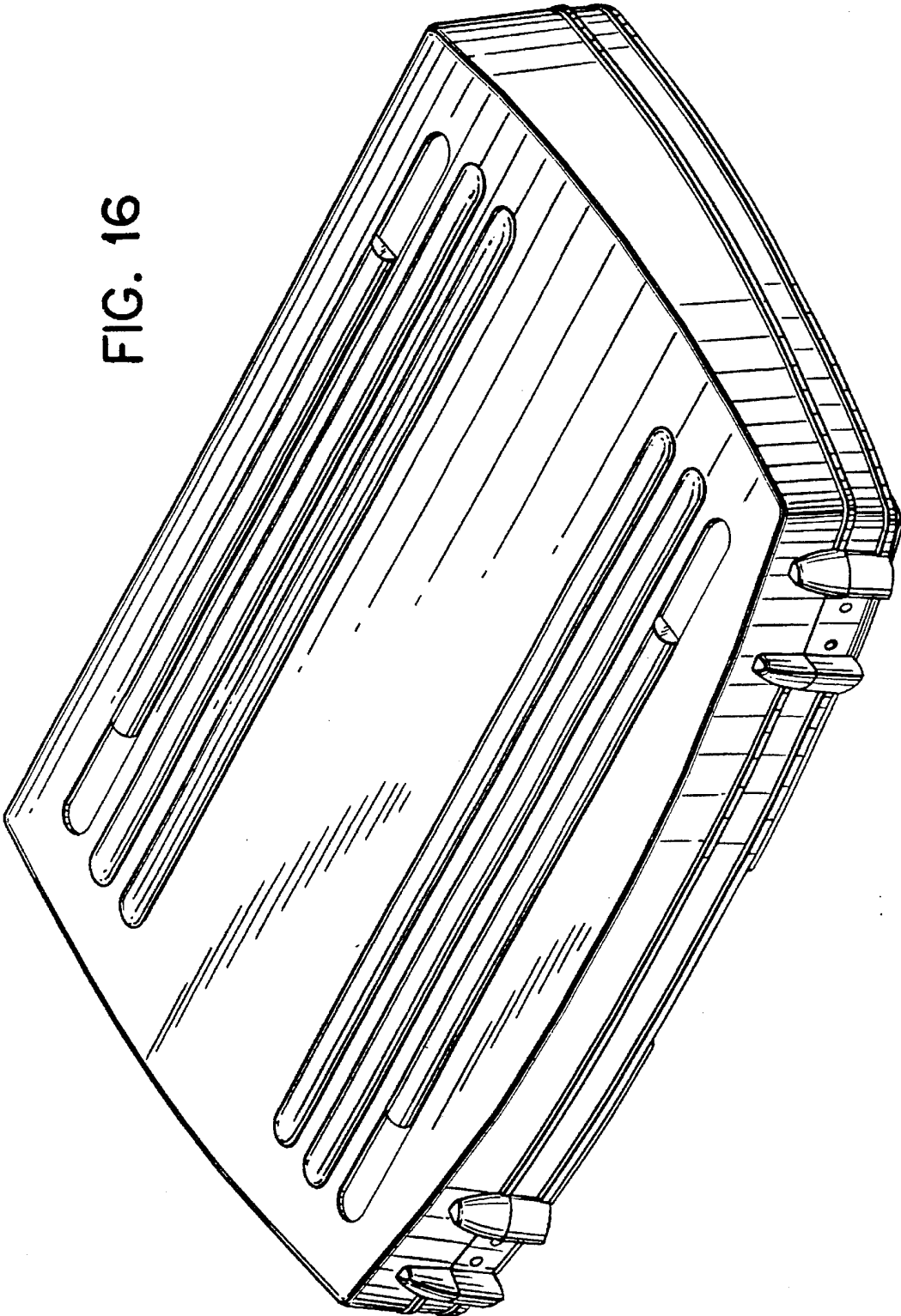


FIG. 16



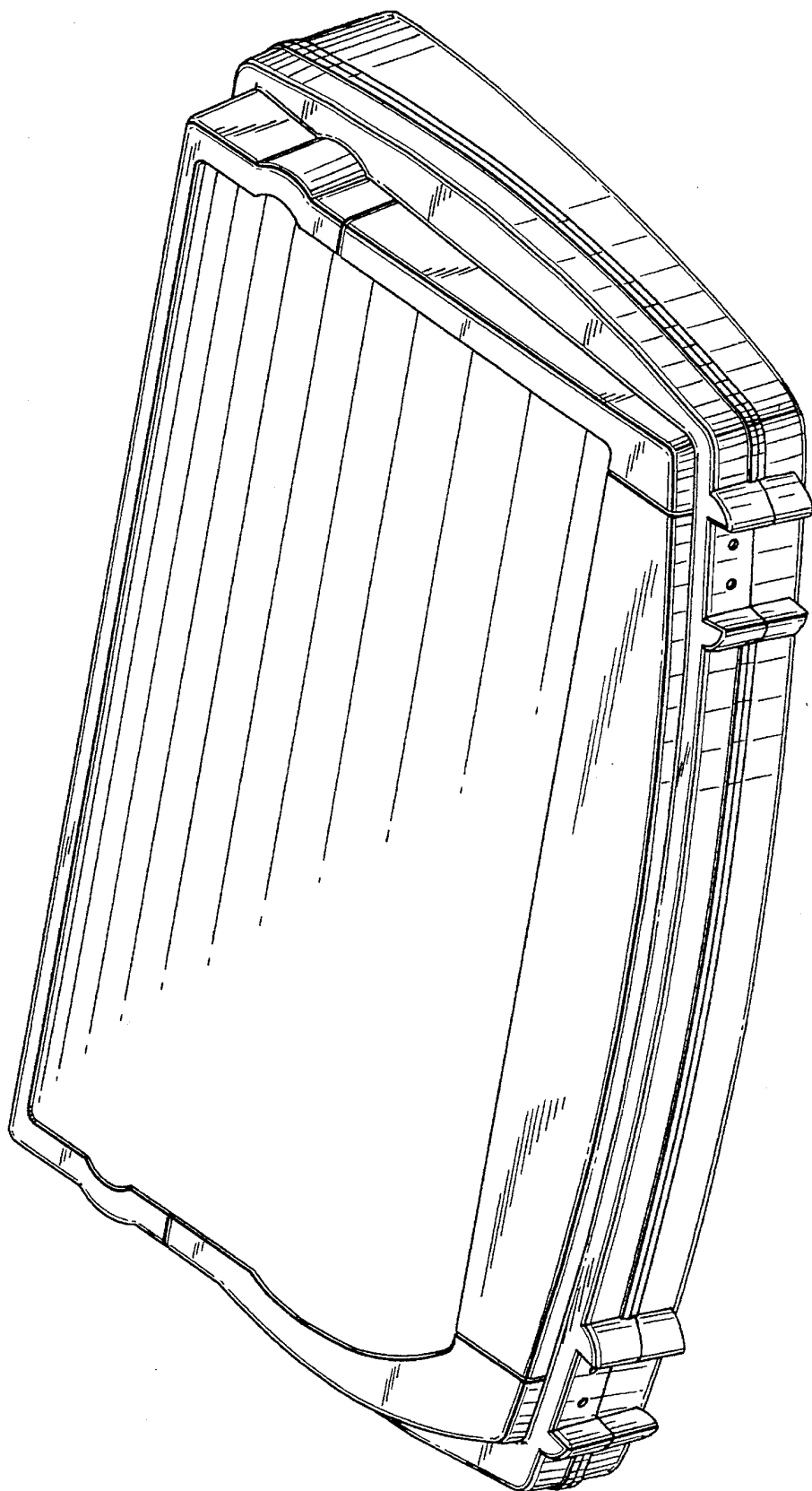


FIG. 17