



US00D365165S

# United States Patent [19] Stultz

[11] Patent Number: Des. 365,165

[45] Date of Patent: \*\*Dec. 12, 1995

[54] HOUSING FOR ARCHITECTURAL STROBE LAMP

[75] Inventor: Mark A. Stultz, Austin, Tex.

[73] Assignee: High End Systems, Inc., Austin, Tex.

[\*\*] Term: 14 Years

[21] Appl. No.: 29,962

[22] Filed: Oct. 20, 1994

[52] U.S. Cl. .... D26/63; D26/24

[58] Field of Search ..... D26/60-66, 24;  
362/269, 274, 275, 285, 418, 419, 427

### [56] References Cited

#### U.S. PATENT DOCUMENTS

D. 297,671 9/1988 Groh ..... D26/63

#### FOREIGN PATENT DOCUMENTS

1271344 7/1961 France ..... 362/269  
3000160 7/1981 Germany ..... 362/269

#### OTHER PUBLICATIONS

Ness Newsletter, Winter 93-94, p. 5, "Pulsant" Light Projector.

Primary Examiner—Susan J. Lucas  
Attorney, Agent, or Firm—James R. Bell

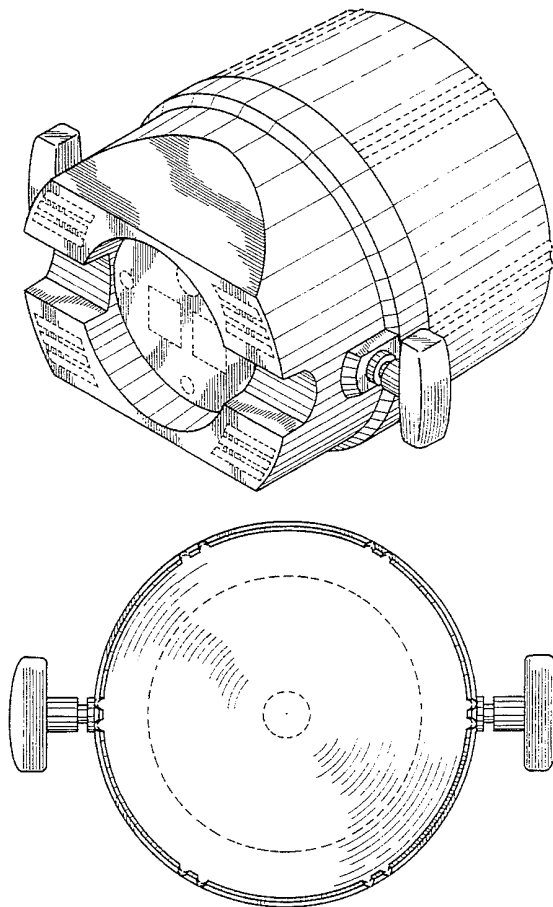
### [57] CLAIM

The ornamental design for a housing for the architectural strobe fixture, as shown and described.

### DESCRIPTION

FIG. 1 is a rear perspective view of the housing for the architectural strobe fixture of the present invention; FIG. 2 is a front view in elevation of the housing for the architectural strobe fixture of FIG. 1; FIG. 3 is a rear view in elevation of the housing for the architectural strobe fixture of FIG. 1; FIG. 4 is a side view in elevation of the housing for the architectural strobe fixture of FIG. 1 as seen from the right-hand side of FIG. 1; FIG. 5 is a side view in elevation of the housing for the architectural strobe fixture of FIG. 1 as seen from the left-hand side of FIG. 1; FIG. 6 is a top plan view of the housing for the architectural strobe fixture of FIG. 1; and, FIG. 7 is a bottom plan view of the housing for the architectural strobe fixture of FIG. 1. The broken lines are shown for illustrative purposes only and form no part of the claimed design.

1 Claim, 6 Drawing Sheets



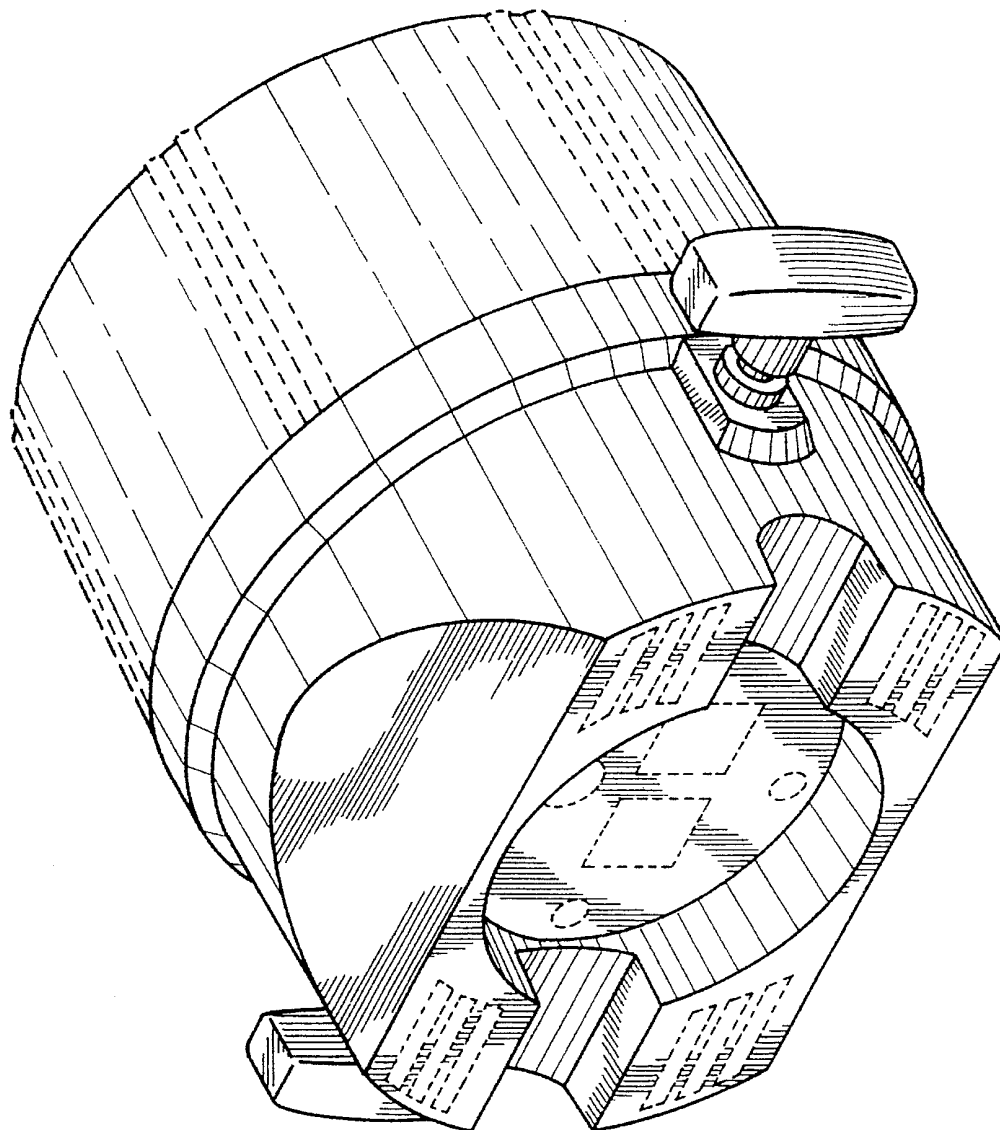
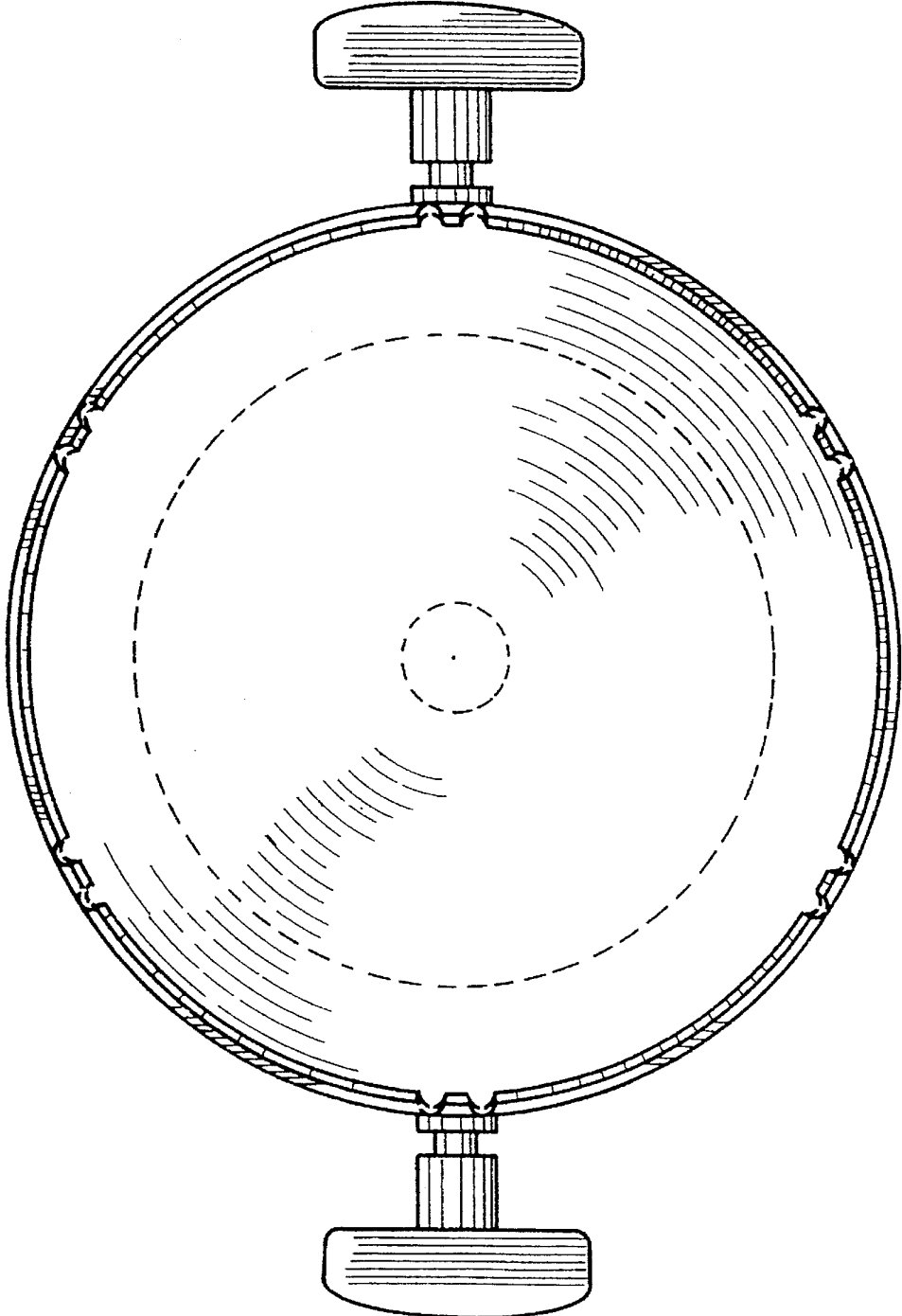


FIG. 1

FIG. 2



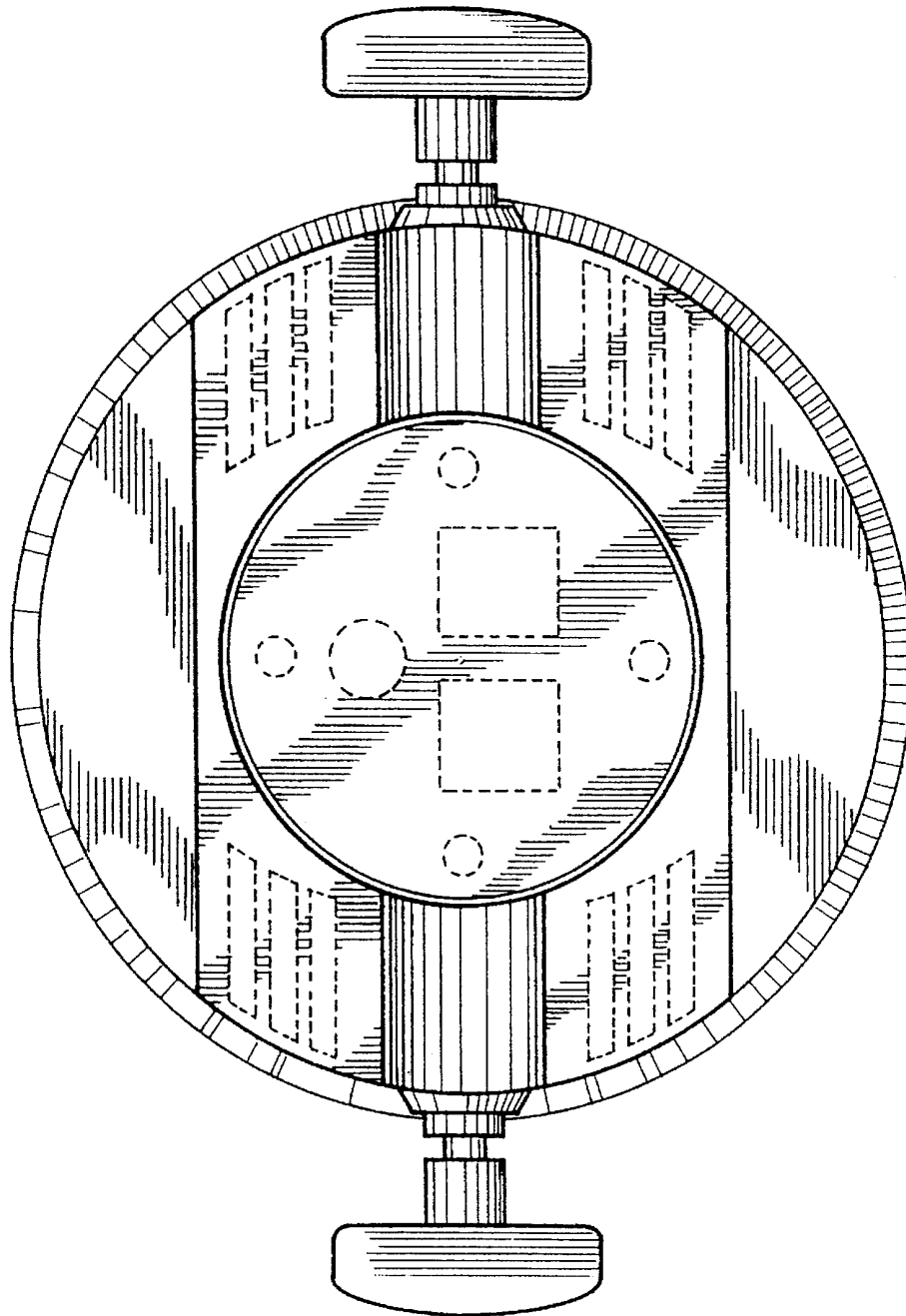


FIG. 3

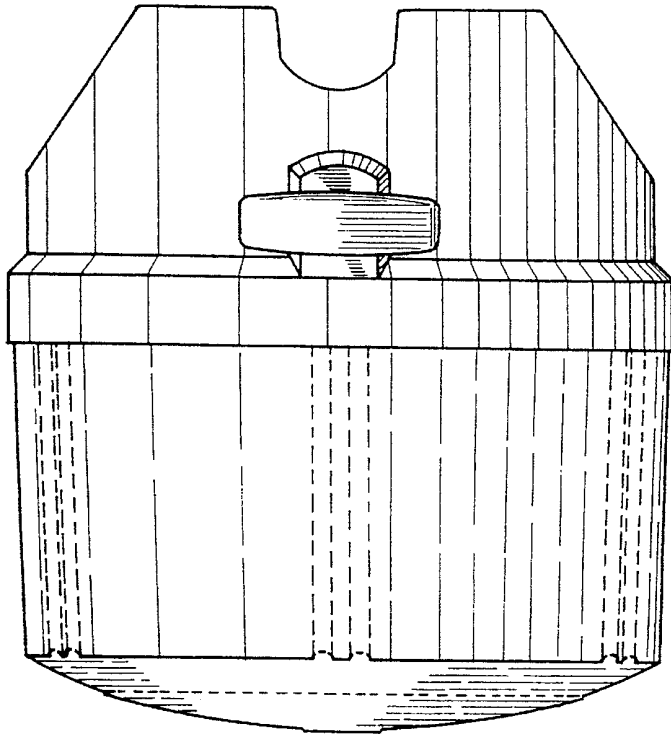


FIG. 5

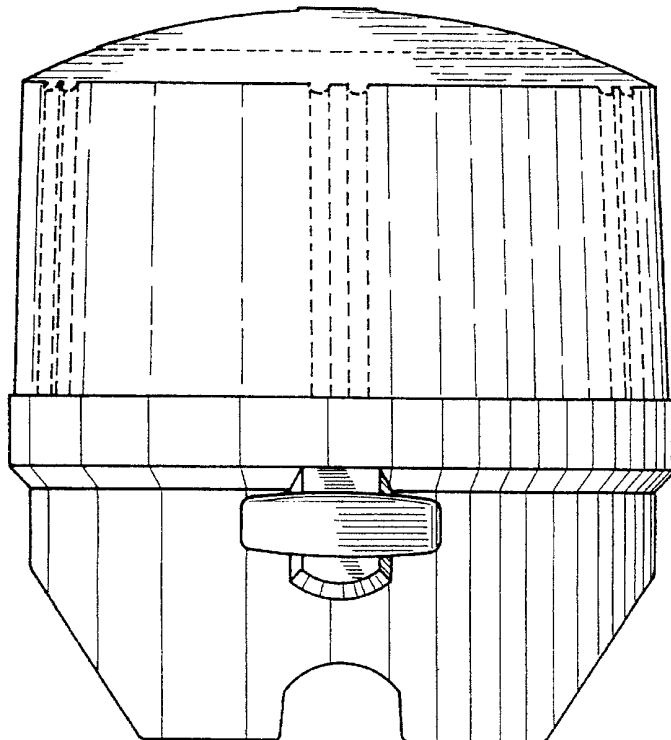


FIG. 4

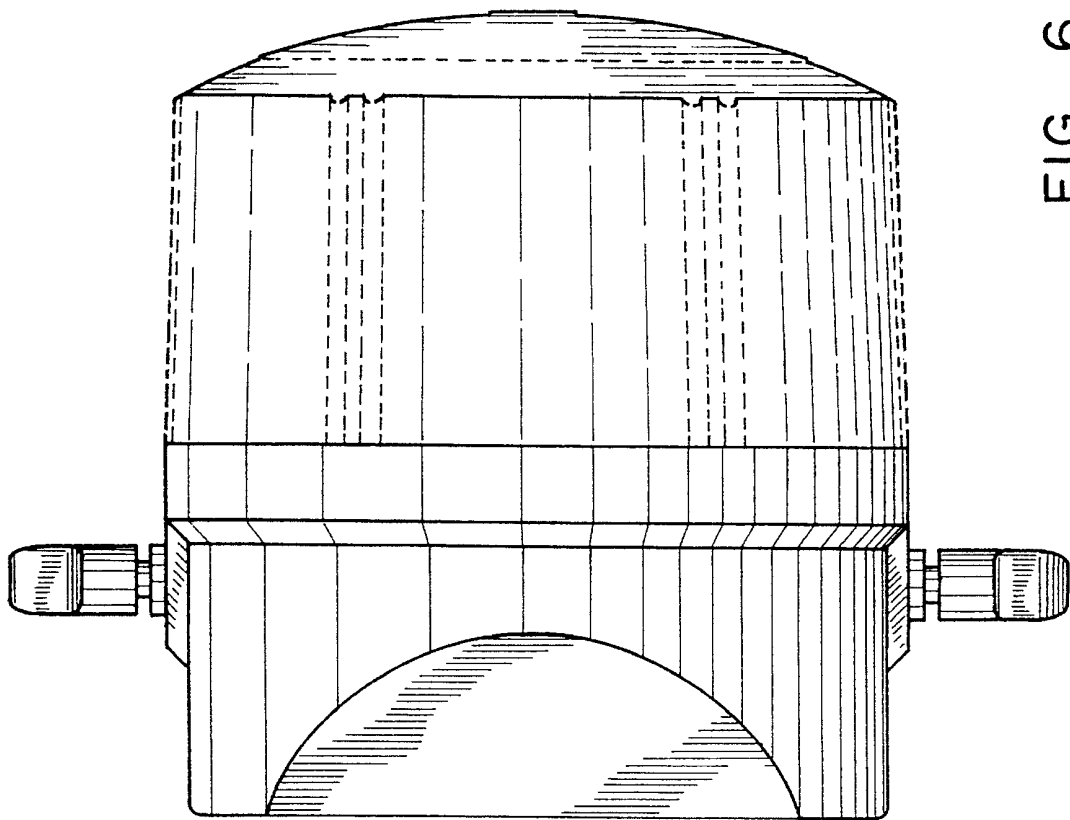


FIG. 6

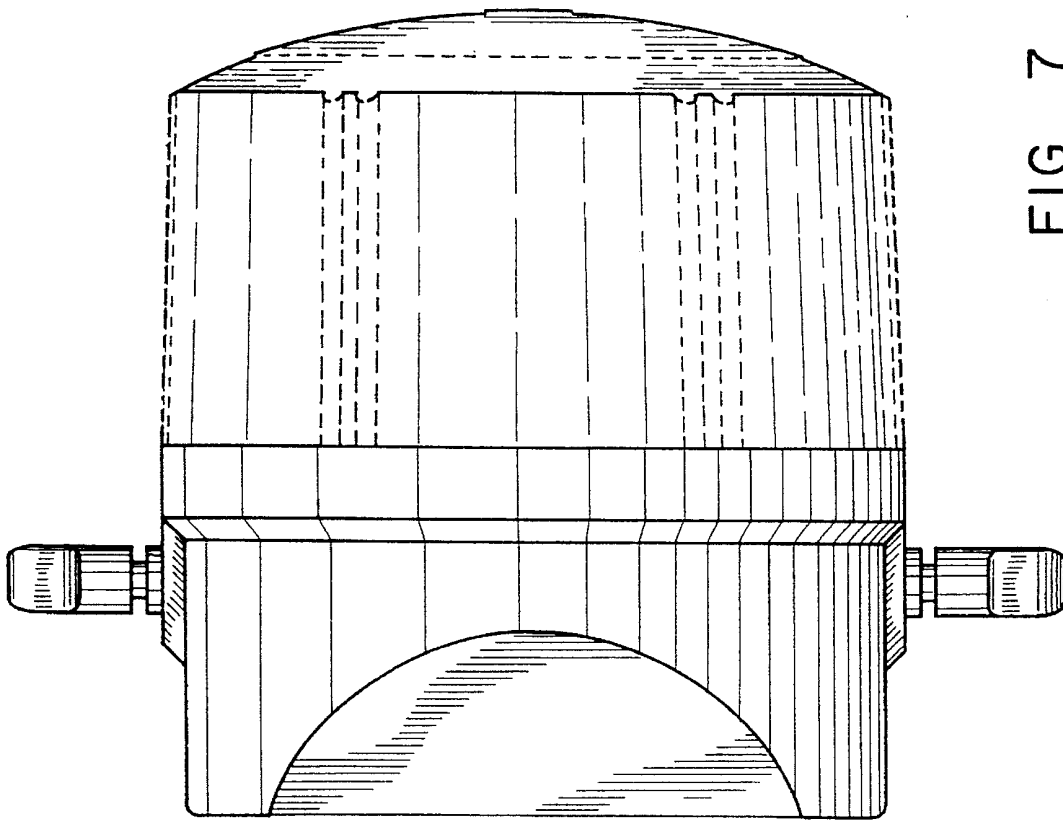


FIG. 7