



US00D359574S

United States Patent [19]
Bornhorst et al.

[11] **Patent Number: Des. 359,574**
[45] **Date of Patent: ** Jun. 20, 1995**

[54] **ADJUSTABLE LAMP**

[75] **Inventors:** James M. Bornhorst, DeSoto;
Timothy D. Stacy, Plano; Timothy W.
Terleski, Garland, all of Tex.

[73] **Assignee:** Vari-Lite Incorporated

[**] **Term:** 14 Years

[21] **Appl. No.:** 940,724

[22] **Filed:** Sep. 4, 1992

[52] **U.S. Cl.** D26/65

[58] **Field of Search** D26/60-65;
362/147, 269, 275, 285, 418, 419, 427

[56] **References Cited**

U.S. PATENT DOCUMENTS

4,556,936 12/1985 Snow 362/269 X
5,176,442 1/1993 Richardson 362/269 X

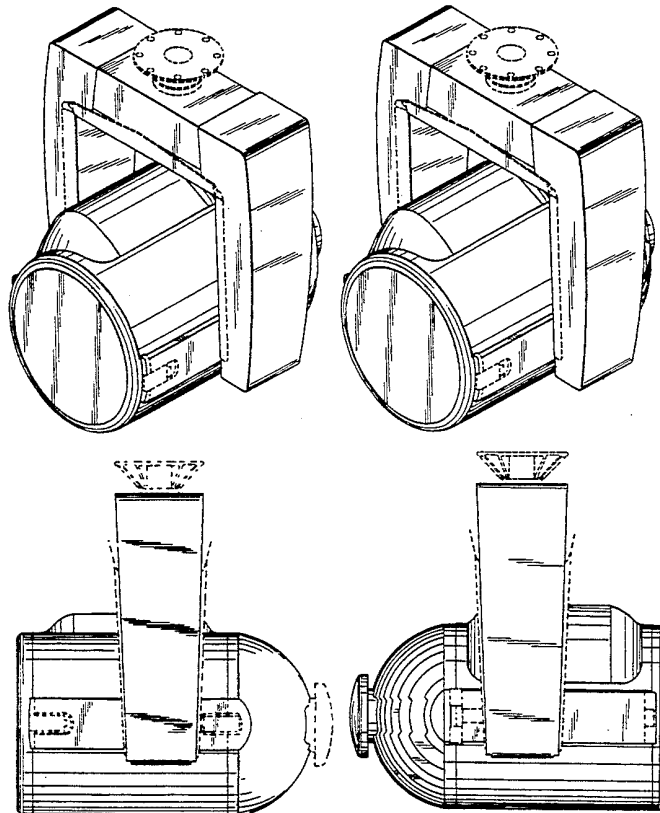
Primary Examiner—Susan J. Lucas
Attorney, Agent, or Firm—Morgan & Finnegan

[57] **CLAIM**

The ornamental design for an adjustable lamp, as shown and described.

DESCRIPTION

FIG. 1 is a top and right perspective view of the adjustable lamp;
FIG. 2 is the right side view of the adjustable lamp;
FIG. 3 is the front view of the adjustable lamp;
FIG. 4 is the left side view of the adjustable lamp;
FIG. 5 is the rear view of the adjustable lamp;
FIG. 6 is the top view of the adjustable lamp;
FIG. 7 is the bottom view of the adjustable lamp;
FIG. 8 is a side view of the adjustable lamp with the housing in its vertical position;
FIG. 9 is a top and right perspective view of an alternate embodiment of the adjustable lamp;
FIG. 10 is the right side view of an alternate embodiment of the adjustable lamp;
FIG. 11 is the front view of an alternate embodiment of the adjustable lamp;
FIG. 12 is the left side view of an alternate embodiment of the adjustable lamp;
FIG. 13 is the rear view of an alternate embodiment of the adjustable lamp;
FIG. 14 is the top view of an alternate embodiment of the adjustable lamp;
FIG. 15 is the bottom view of an alternate embodiment of the adjustable lamp; and,
FIG. 16 is a side view of an alternate embodiment of the adjustable lamp with the housing in its vertical position. The portions of the adjustable lamp shown in broken lines are for illustrative purposes only and form no part of the claimed design.



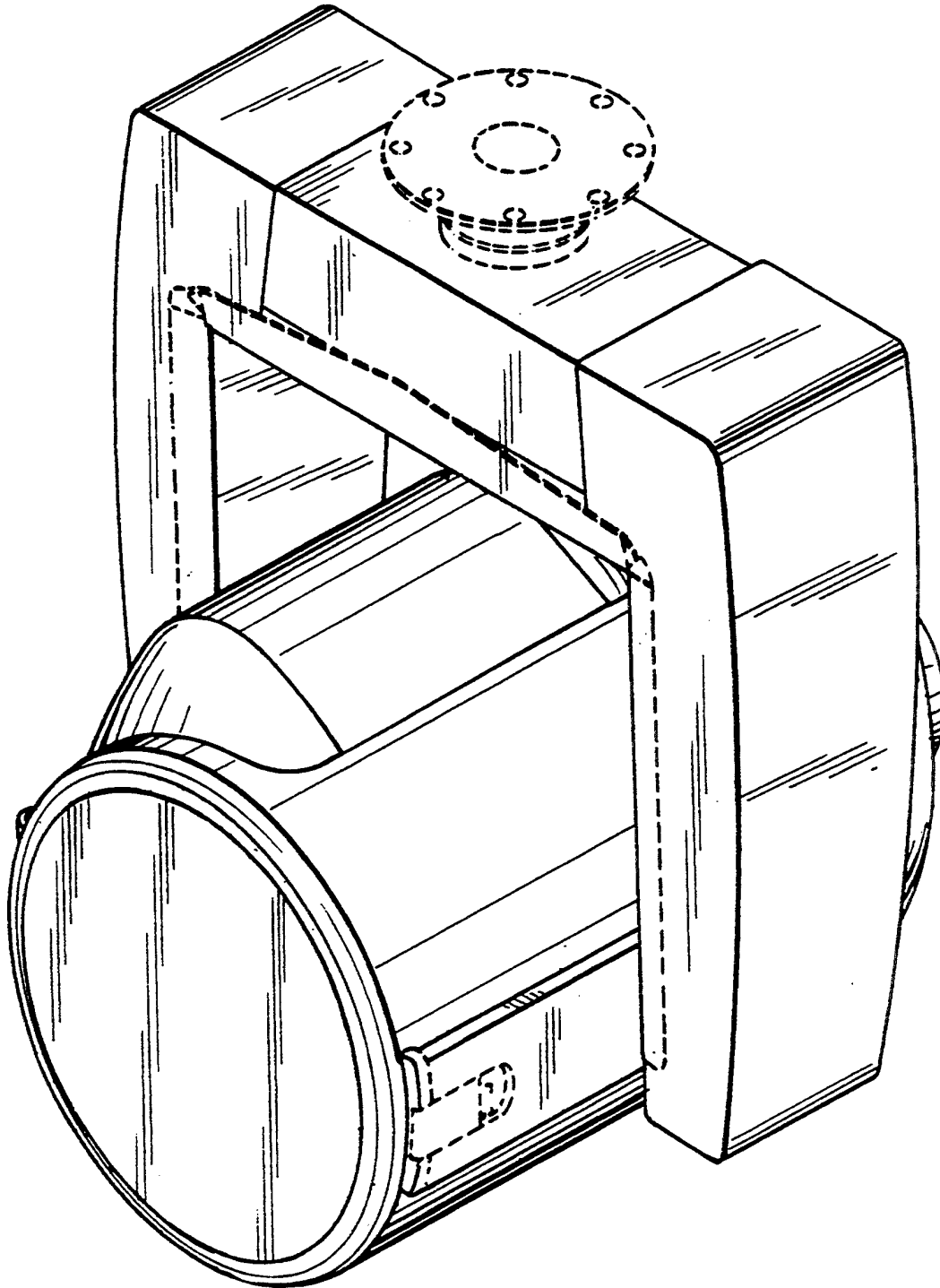


FIG. 1

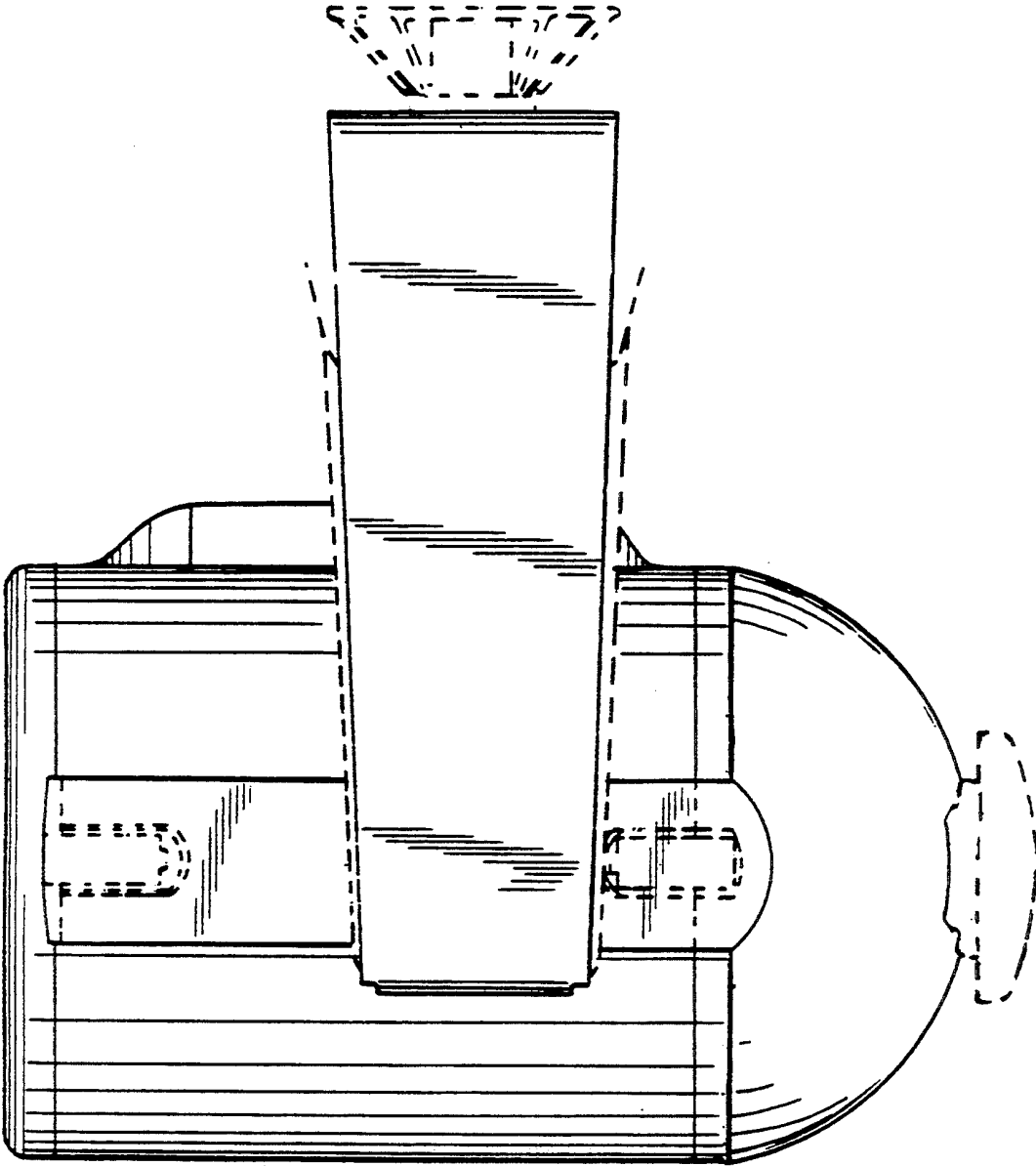


FIG. 2

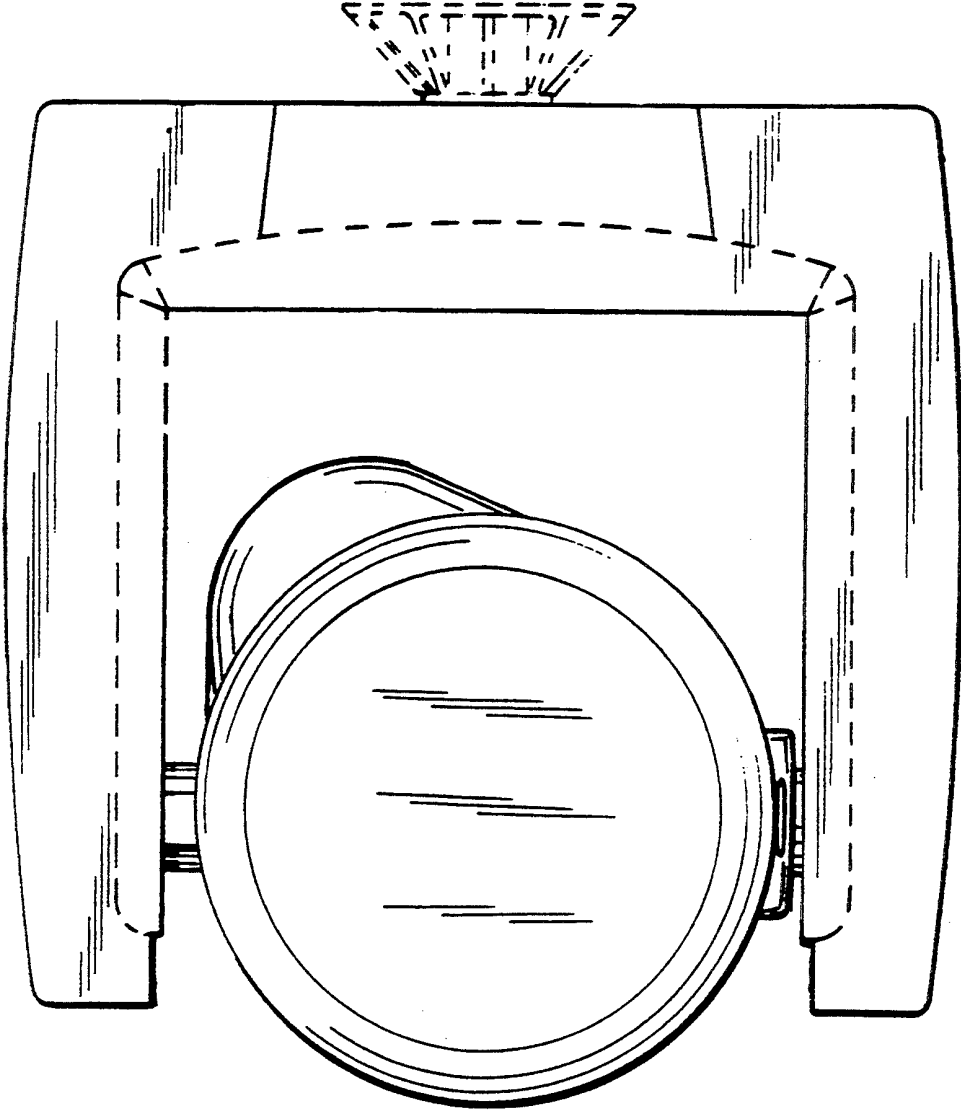


FIG. 3

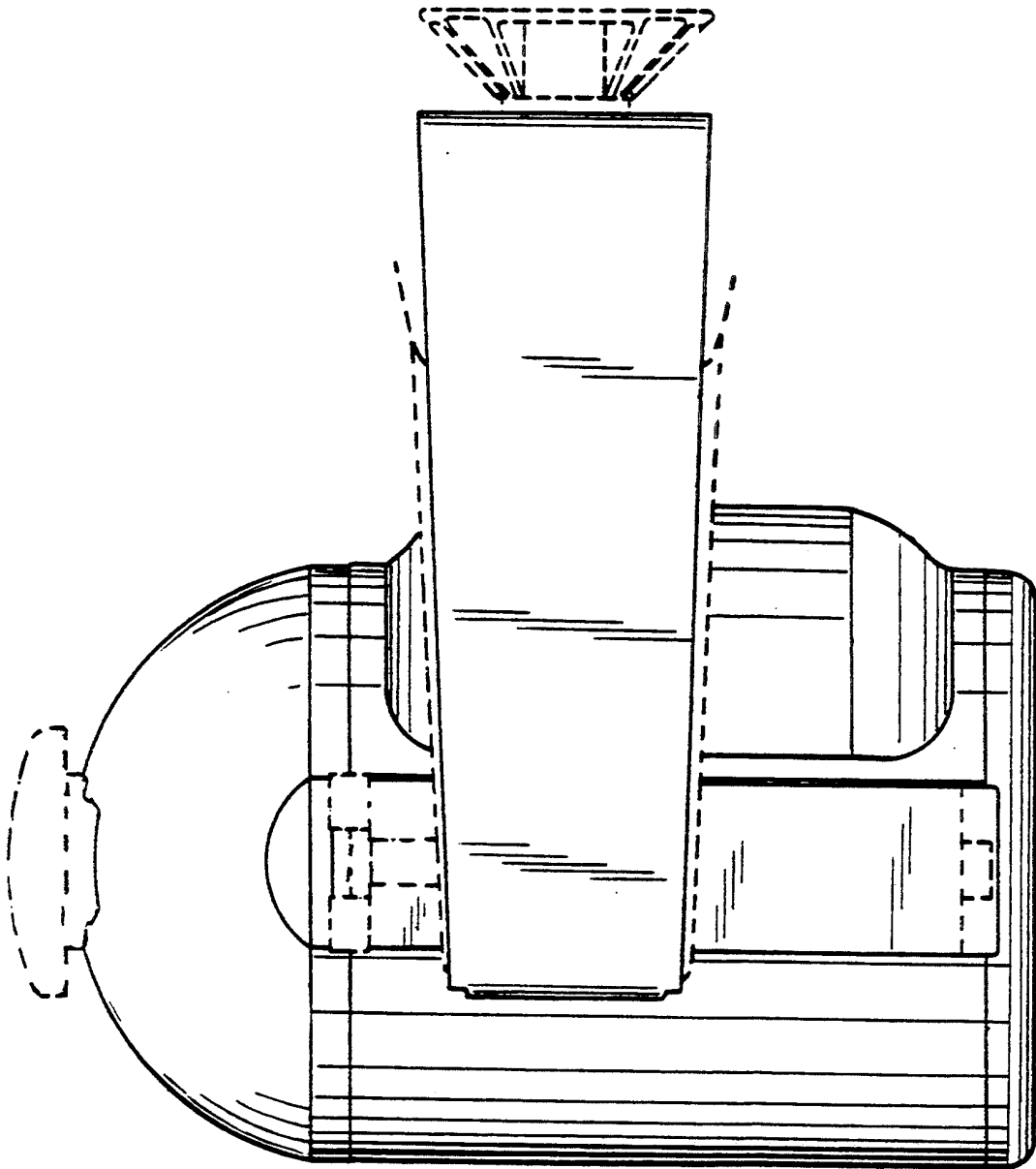


FIG. 4

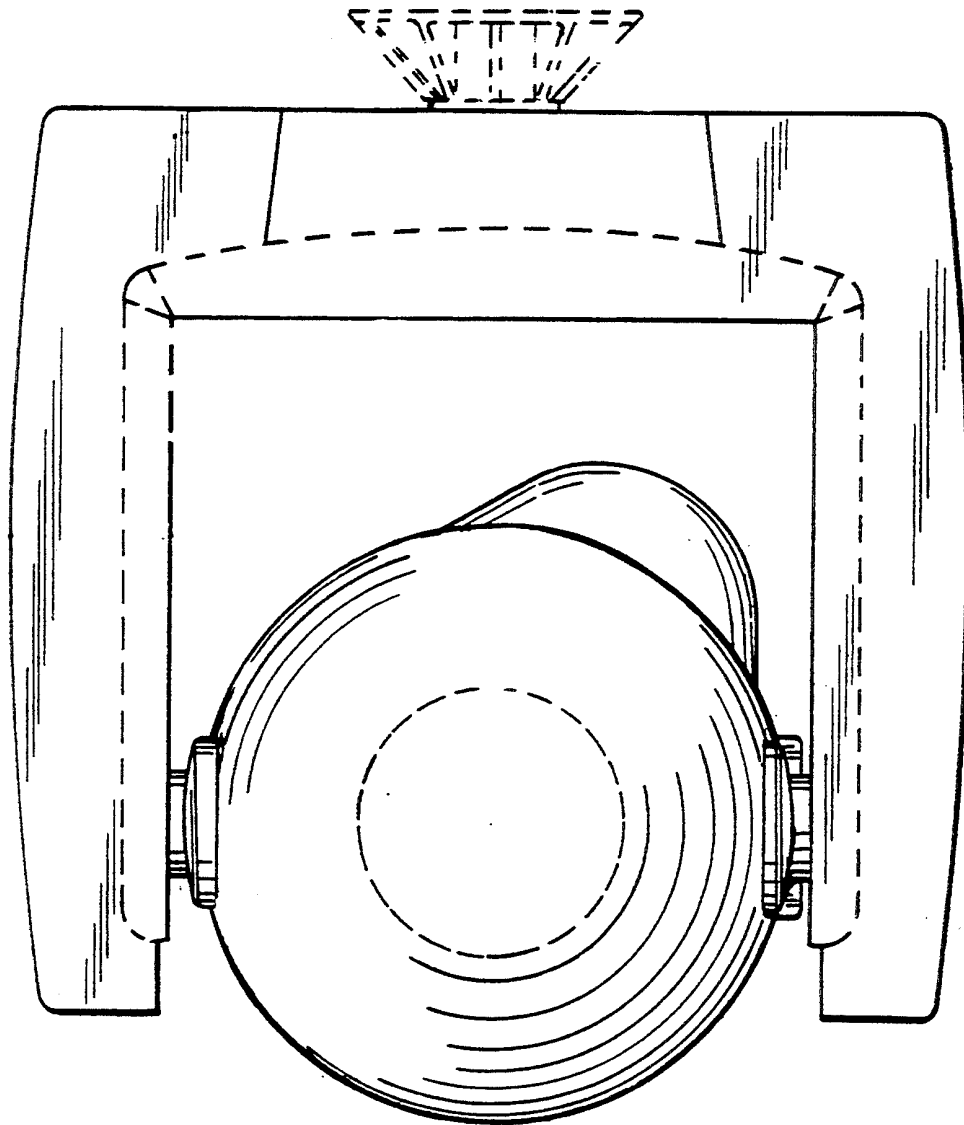


FIG. 5

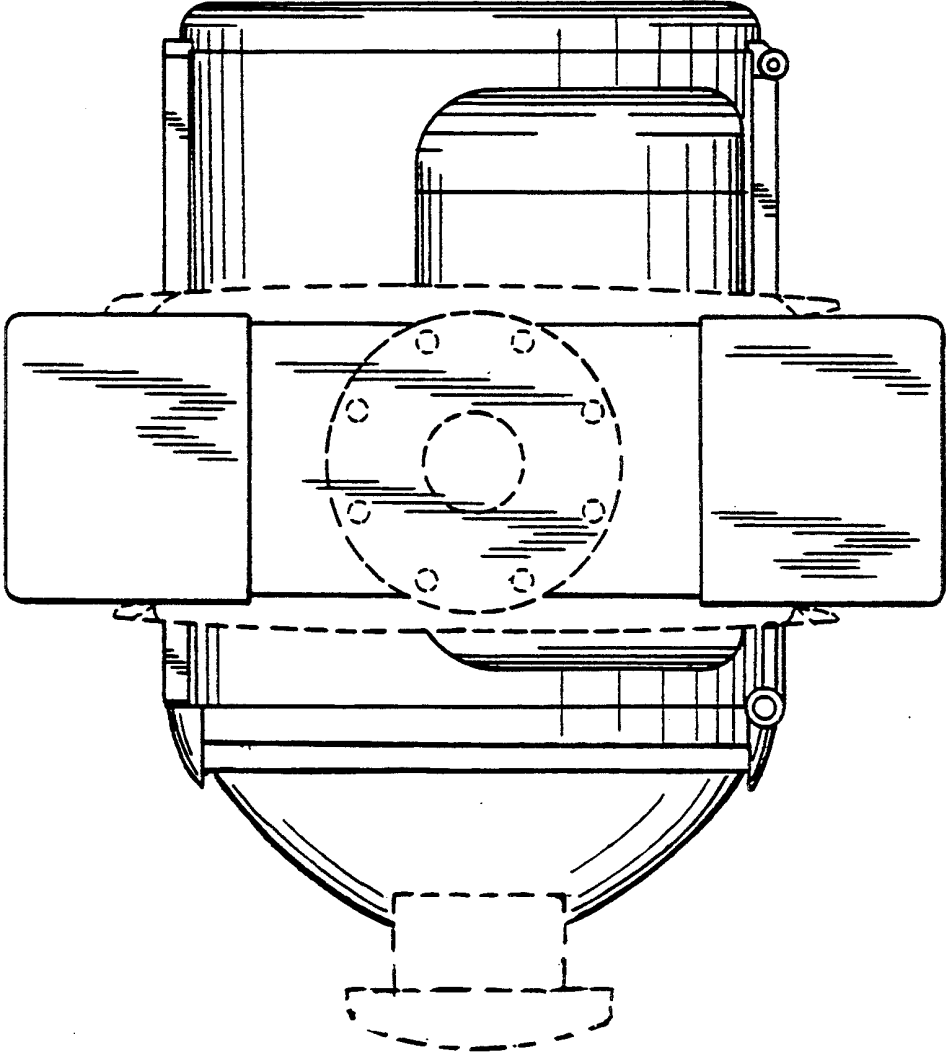


FIG. 6

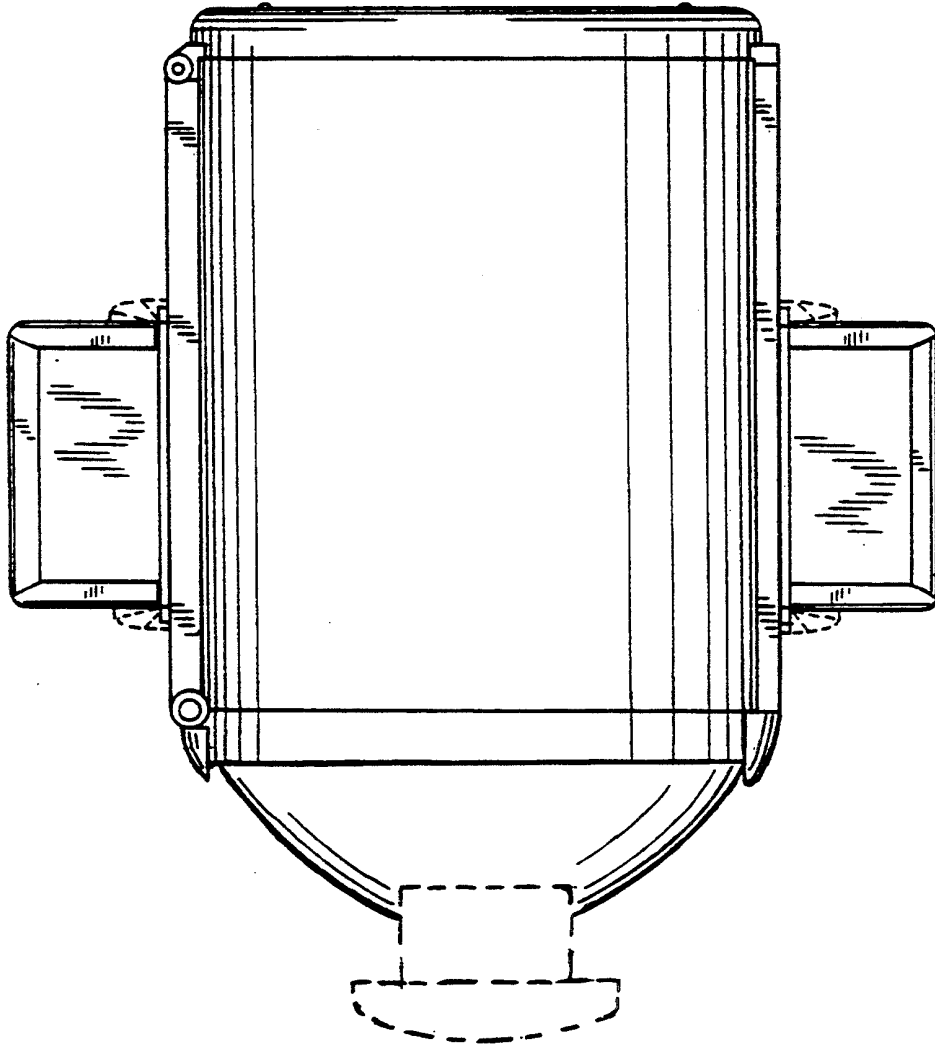


FIG. 7

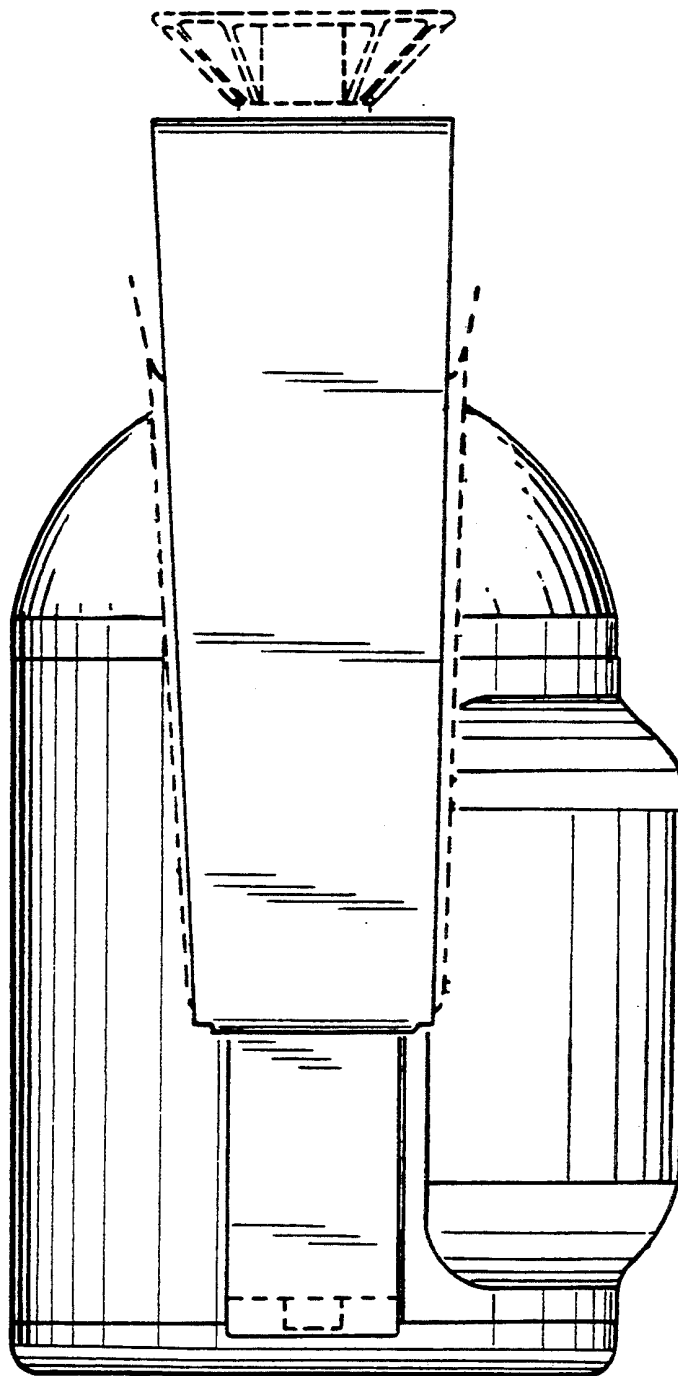


FIG. 8

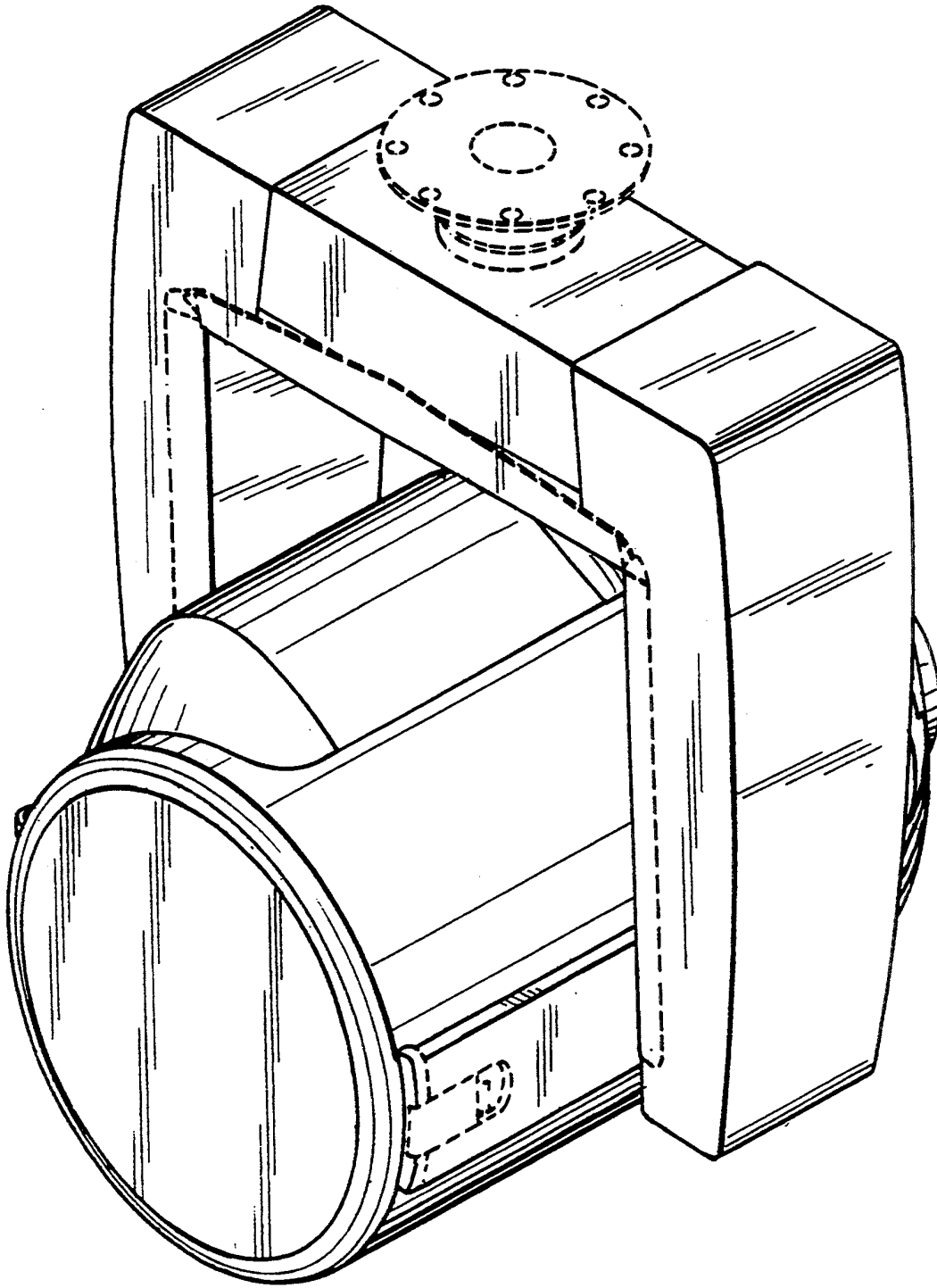


FIG. 9

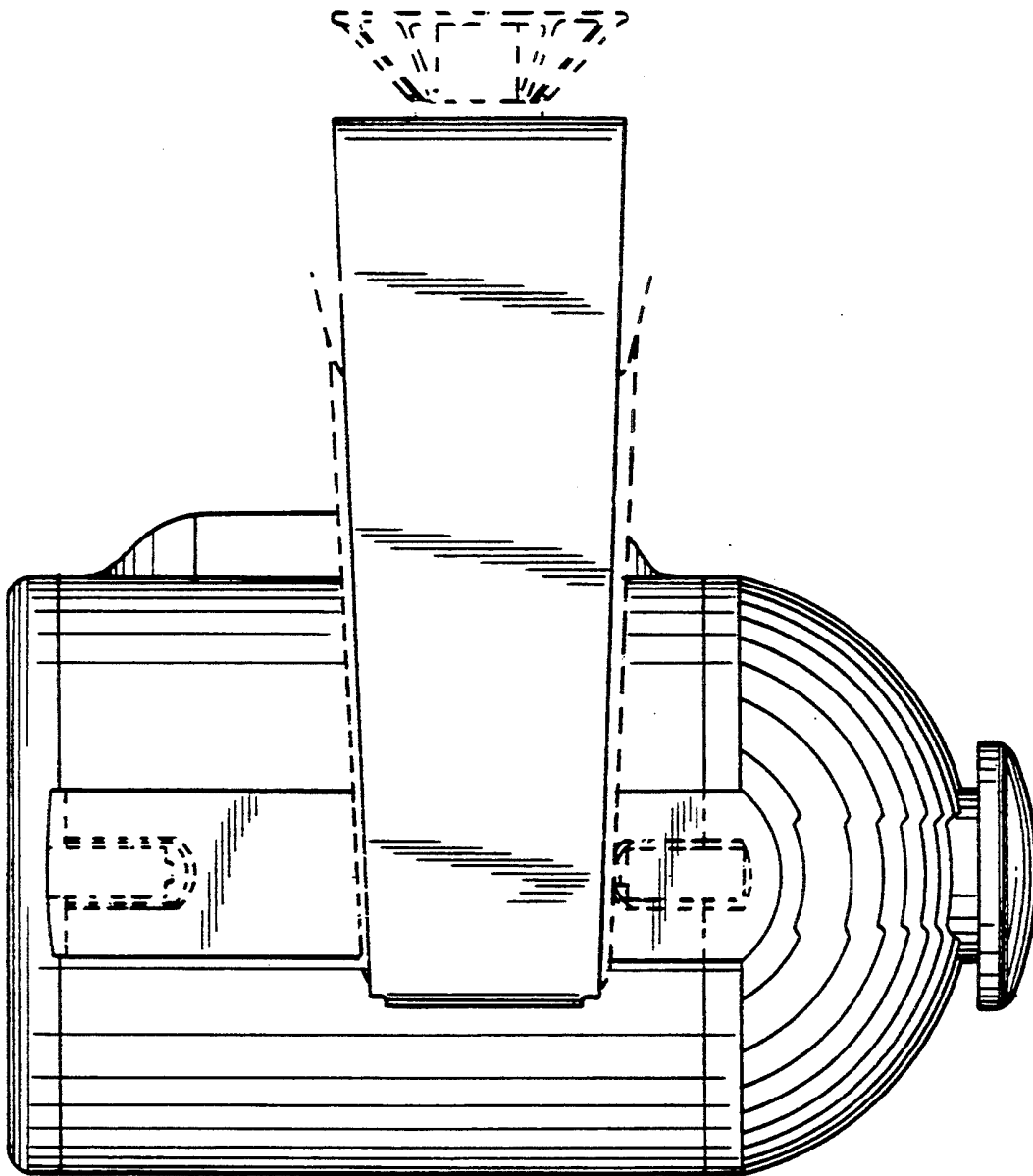


FIG. 10

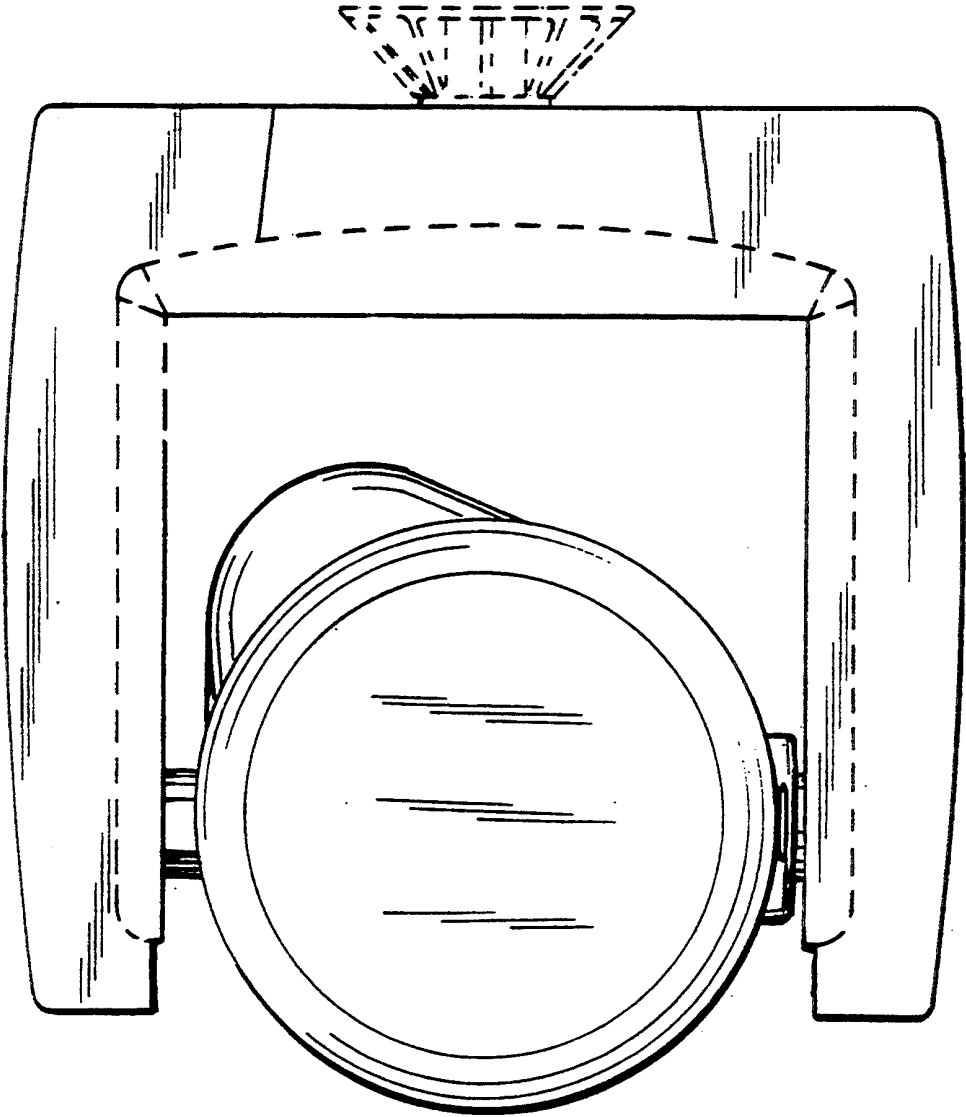


FIG. 11

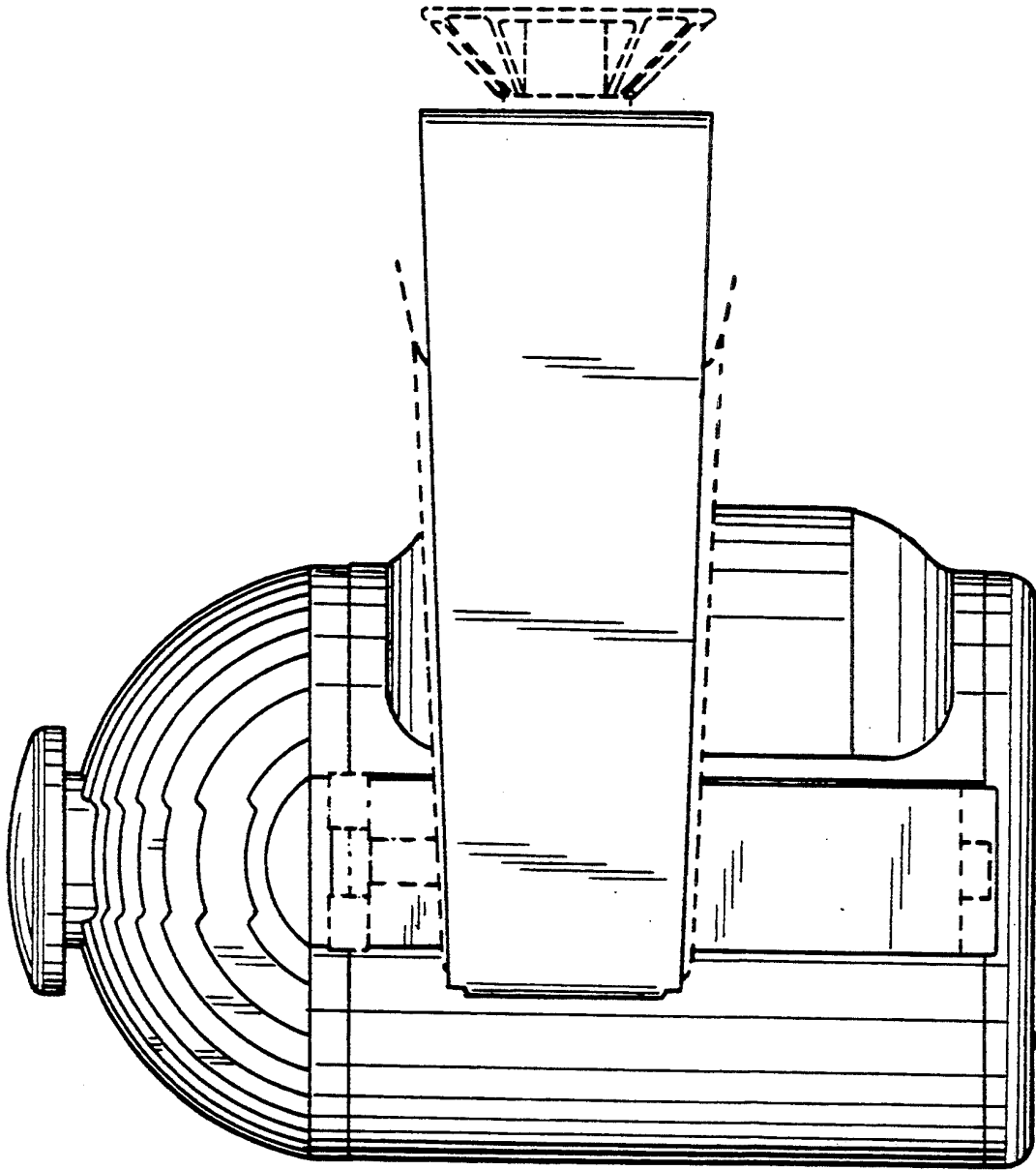


FIG. 12

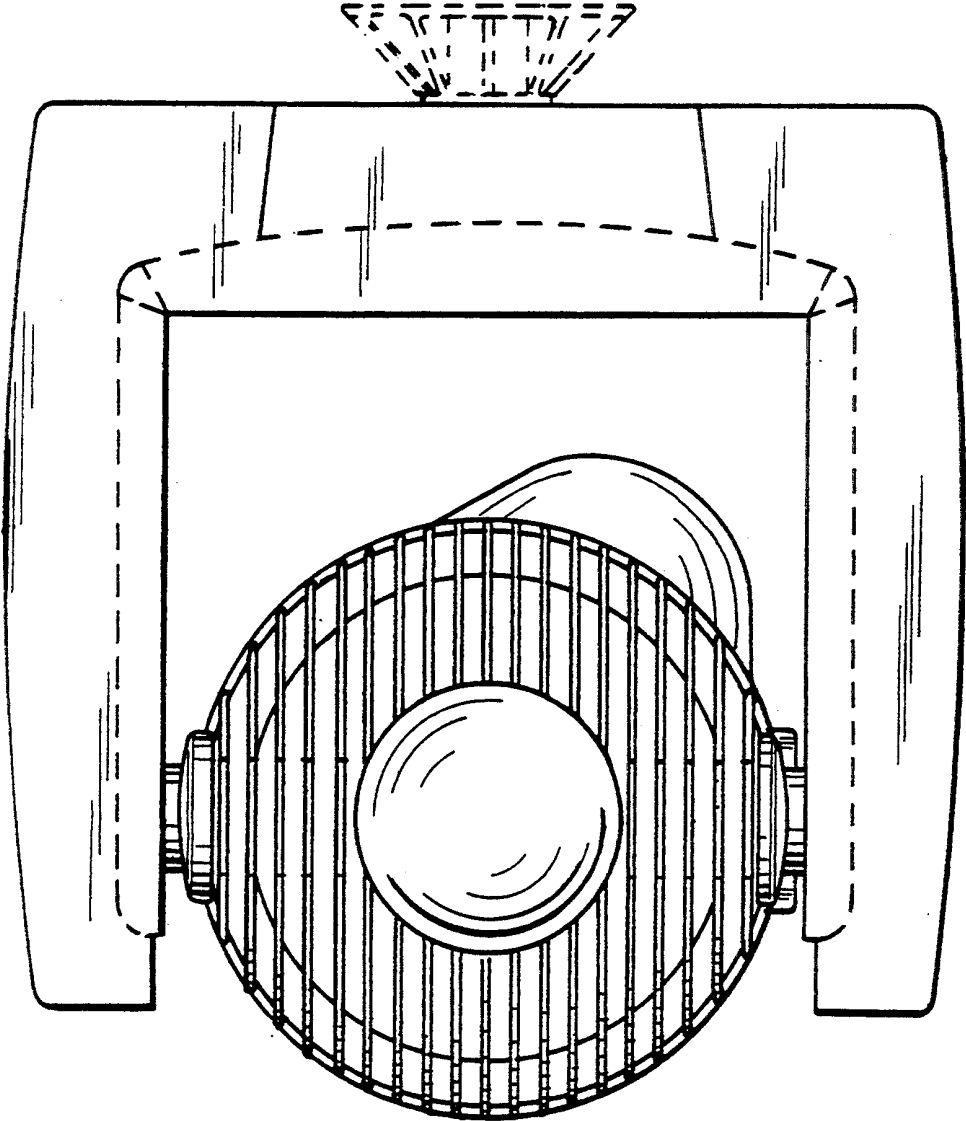


FIG. 13

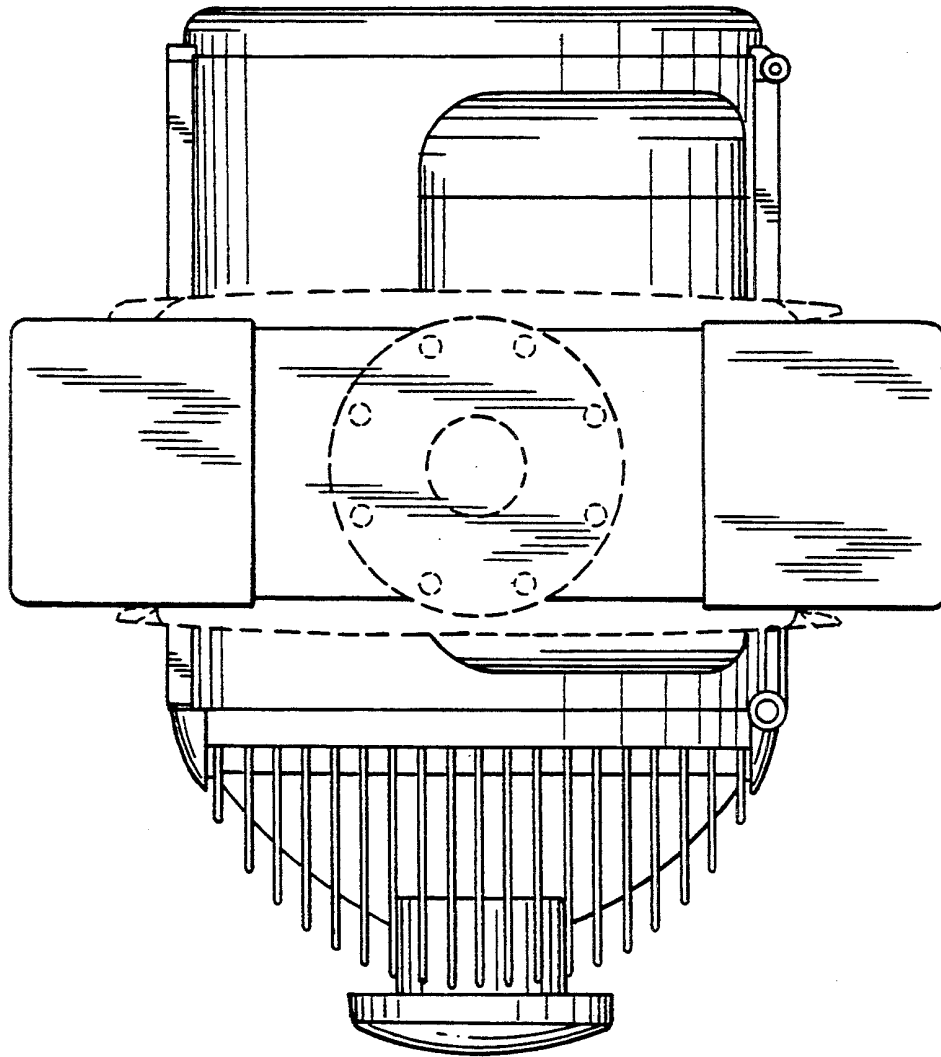


FIG. 14

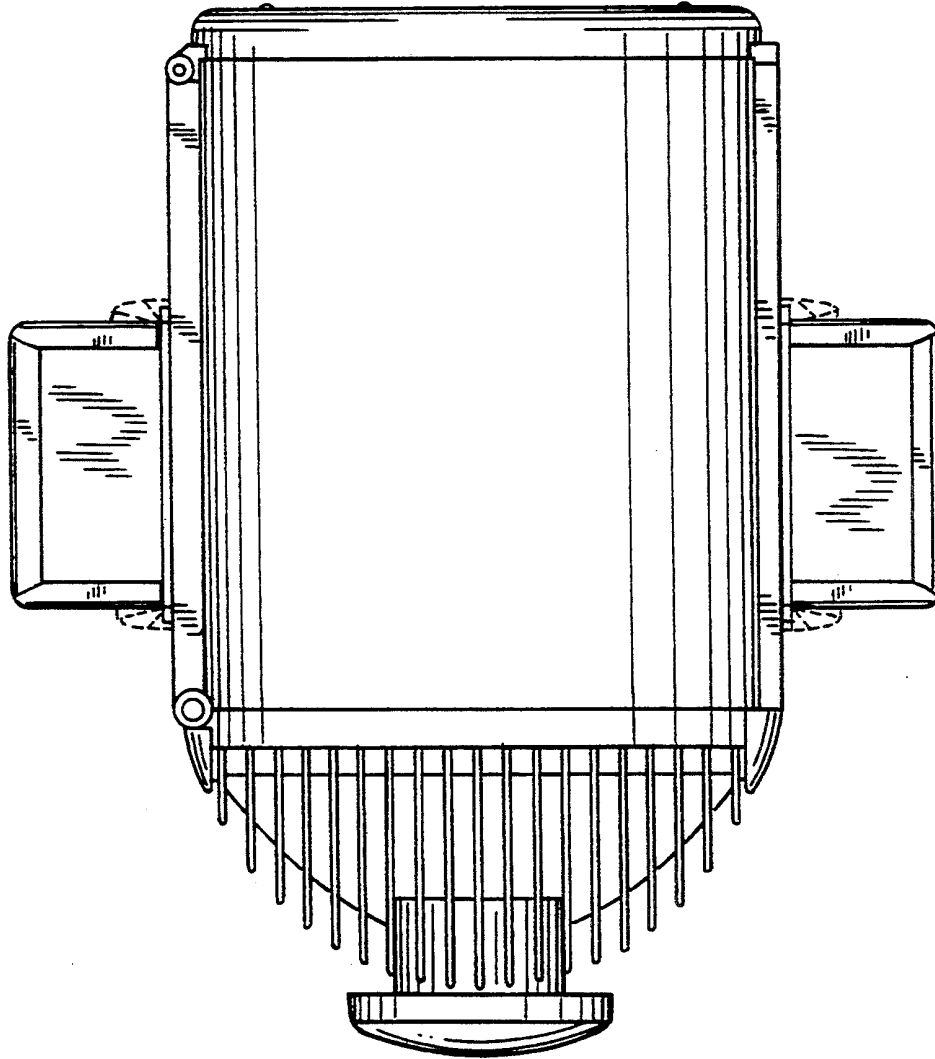


FIG. 15

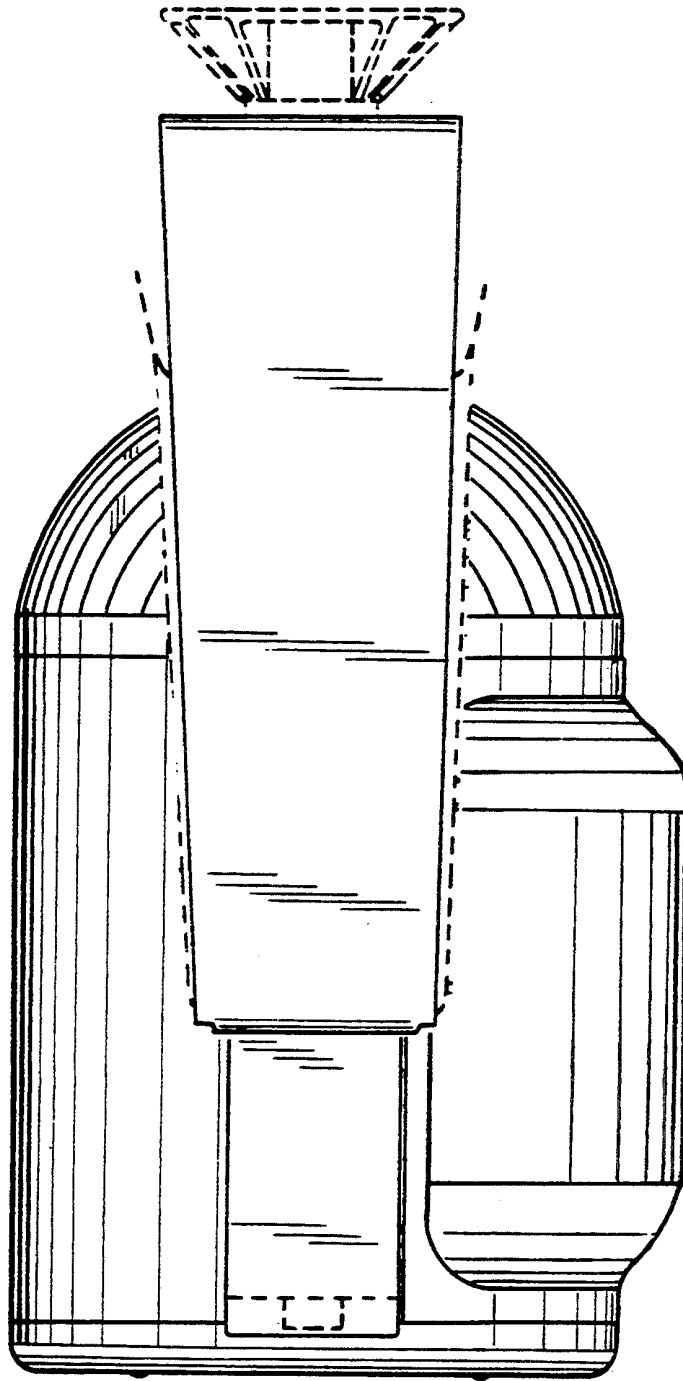


FIG. 16