



US00D340779S

United States Patent [19]

[11] Patent Number: Des. 340,779

Quadri

[45] Date of Patent: ** Oct. 26, 1993

[54] **SPECIAL EFFECT LIGHT PROJECTOR**

[75] Inventor: Pasquale Quadri, Albano Sant'Alessandro, Italy

[73] Assignee: Clay Paky S.r.l., Pedrengo, Italy

[**] Term: 14 Years

[21] Appl. No.: 629,193

[22] Filed: Dec. 17, 1990

[30] Foreign Application Priority Data

Jun. 22, 1990 [IT] Italy 53 099 B/90

[52] U.S. Cl. D26/63

[58] Field of Search D26/24, 63, 65; 362/426, 293

[56] References Cited

U.S. PATENT DOCUMENTS

| | | | | |
|------------|---------|--------------|-------|---------|
| D. 291,925 | 9/1987 | Dacanay | | D26/24 |
| D. 316,304 | 4/1991 | Court | | D26/63 |
| 3,116,022 | 12/1963 | Davis | | 362/293 |
| 4,298,920 | 11/1981 | Gluck et al. | | 362/293 |
| 4,701,833 | 10/1987 | Bornhorst | | 362/426 |

OTHER PUBLICATIONS

Kliegl Bros Lighting Catalog, 1952, p. 10.
Trakliting Inc. Catalog, Jul. 10, 1984.

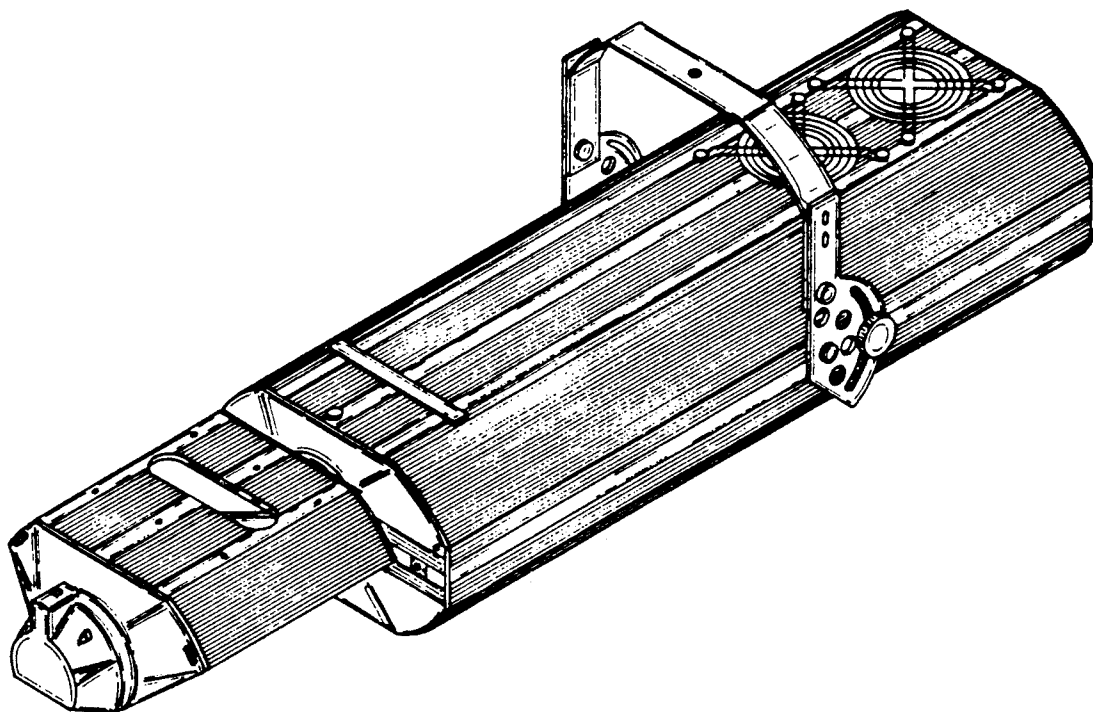
Primary Examiner—Bernard Ansher
Assistant Examiner—Adir Aronovich
Attorney, Agent, or Firm—Kane, Dalsimer, Sullivan,
Kurucz, Levy, Eisele & Richard

[57] CLAIM

The ornamental design for a special effect light projector, as shown and described.

DESCRIPTION

FIG. 1 is a front elevational view of a special effect light projector showing my new design;
FIG. 2 is a rear elevational view thereof;
FIG. 3 is a left-hand side elevational view thereof;
FIG. 4 is a right-hand side elevational view thereof;
FIG. 5 is a top plan view thereof;
FIG. 6 is a bottom plan view thereof;
FIG. 7 is a top perspective view thereof; and,
FIG. 8 is a bottom rear perspective view thereof.



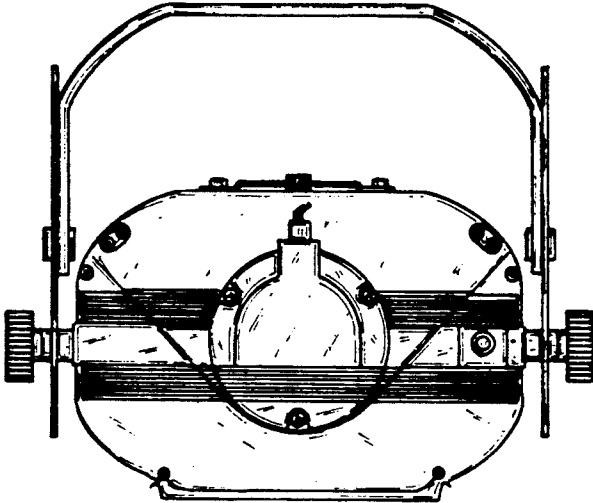


Fig. 1

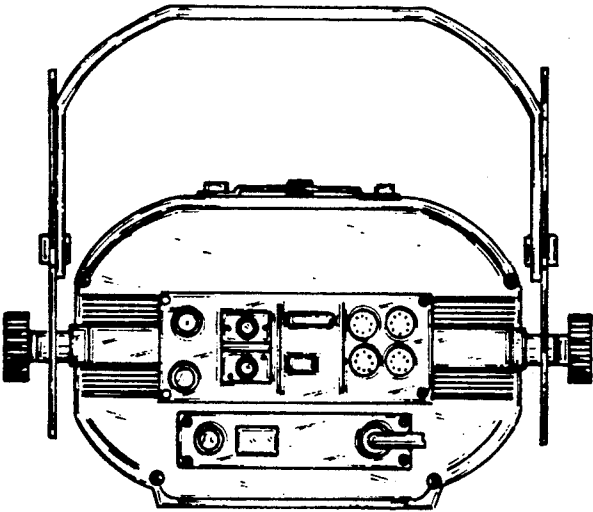


Fig. 2

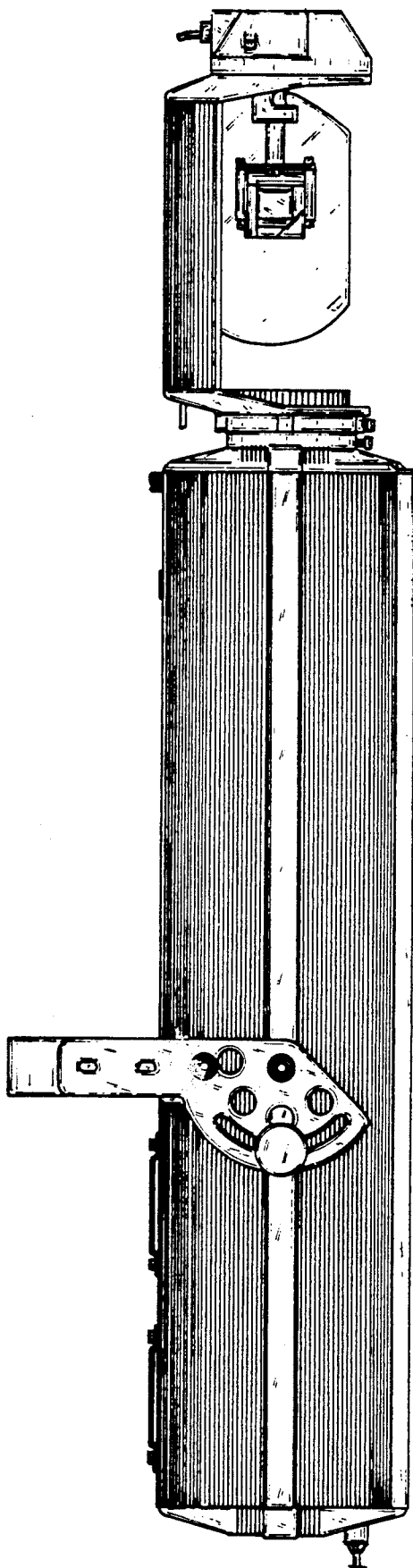


Fig.3

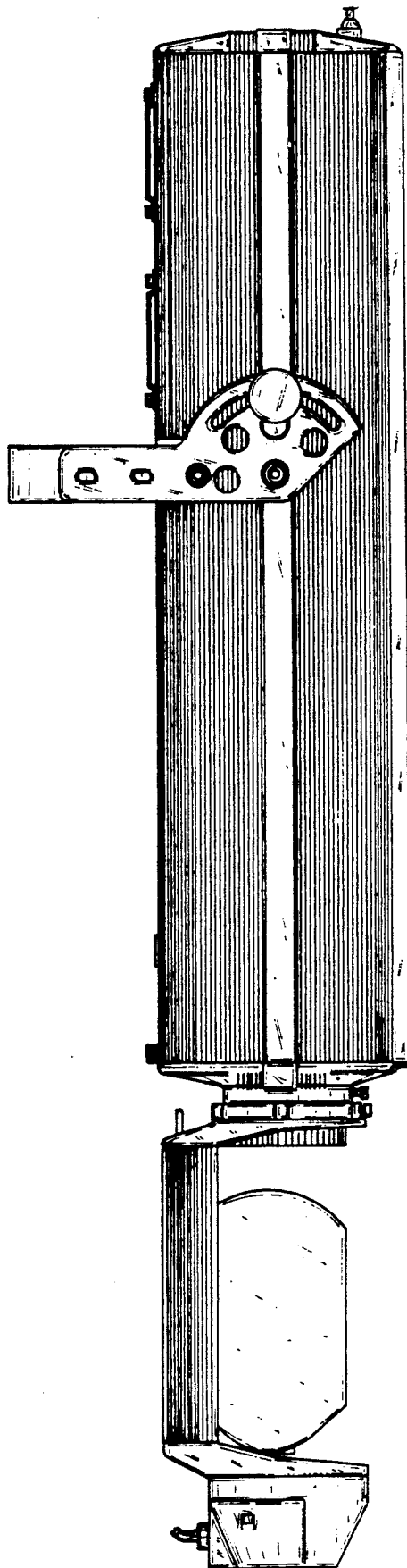


Fig. 4

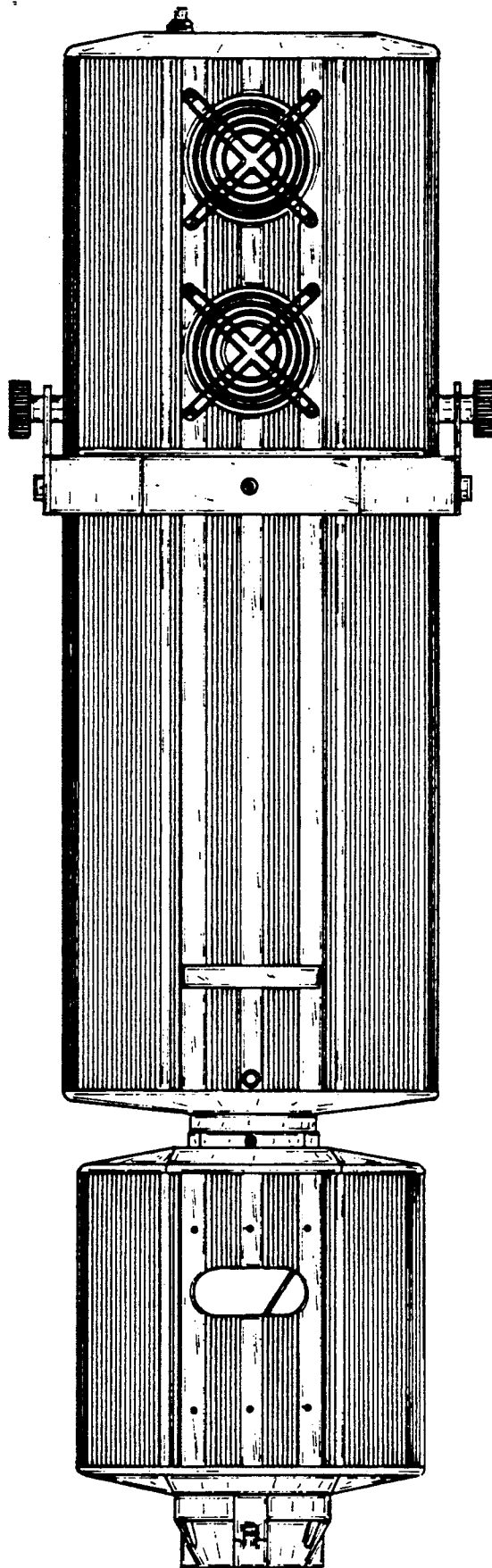


Fig. 5

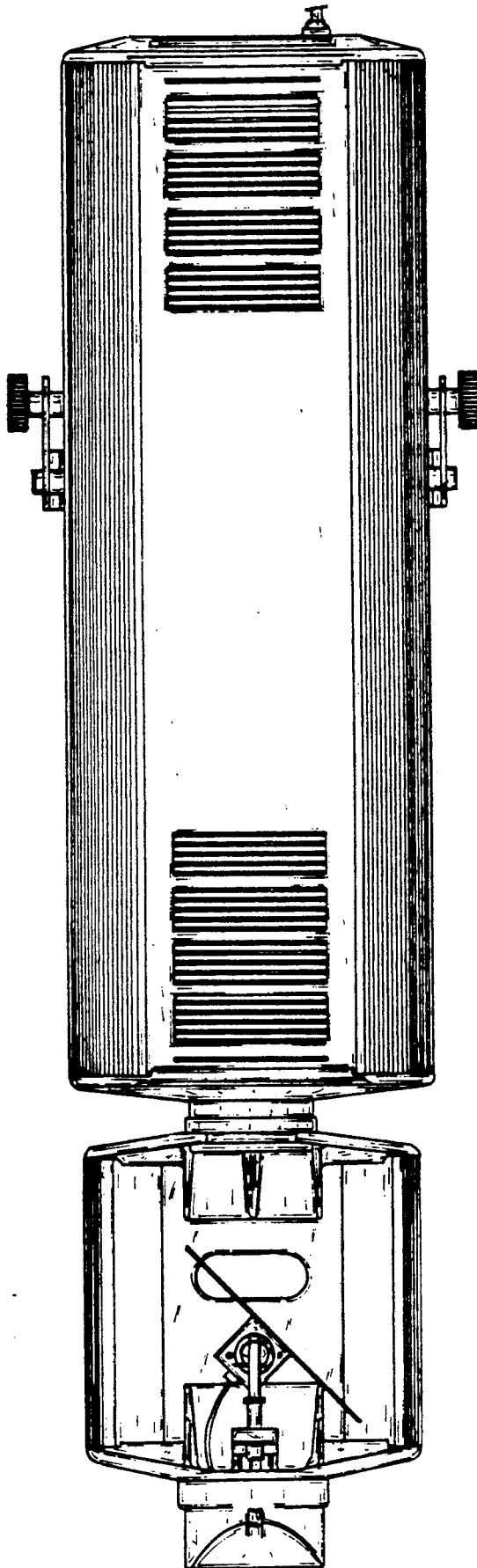


Fig. 6

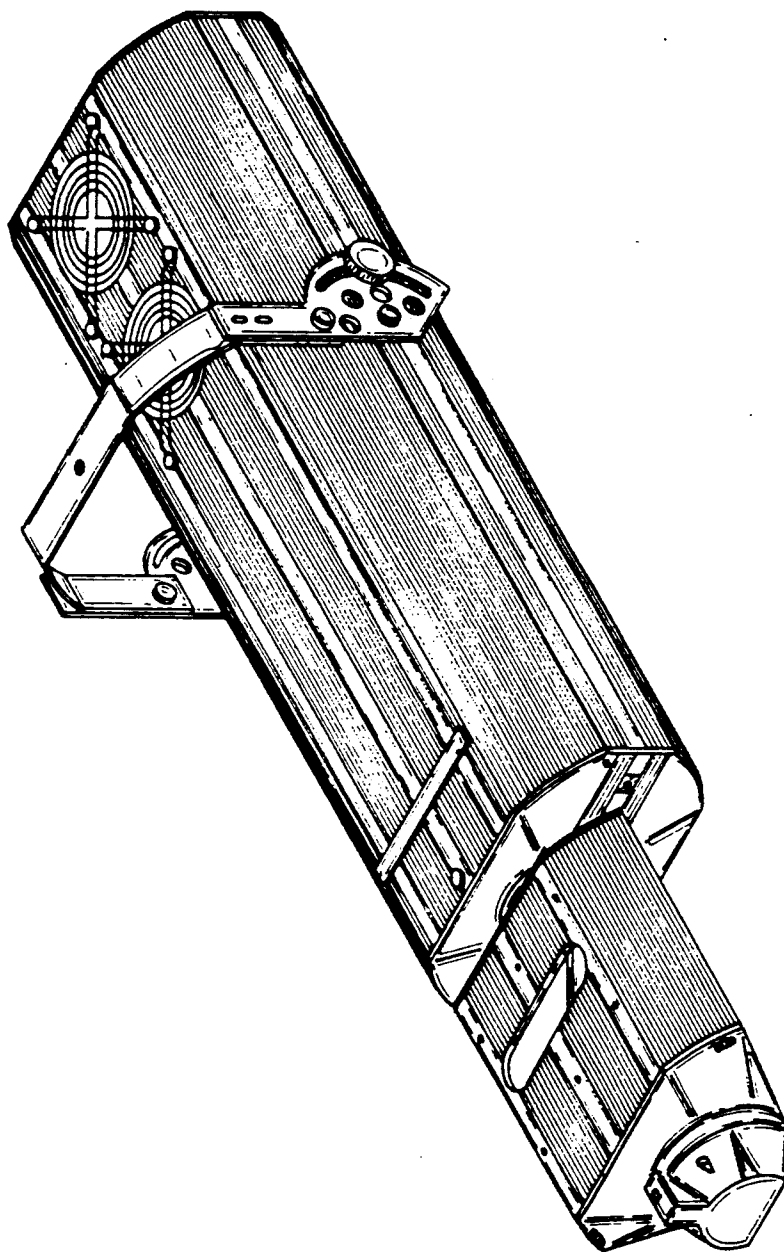


Fig. 7

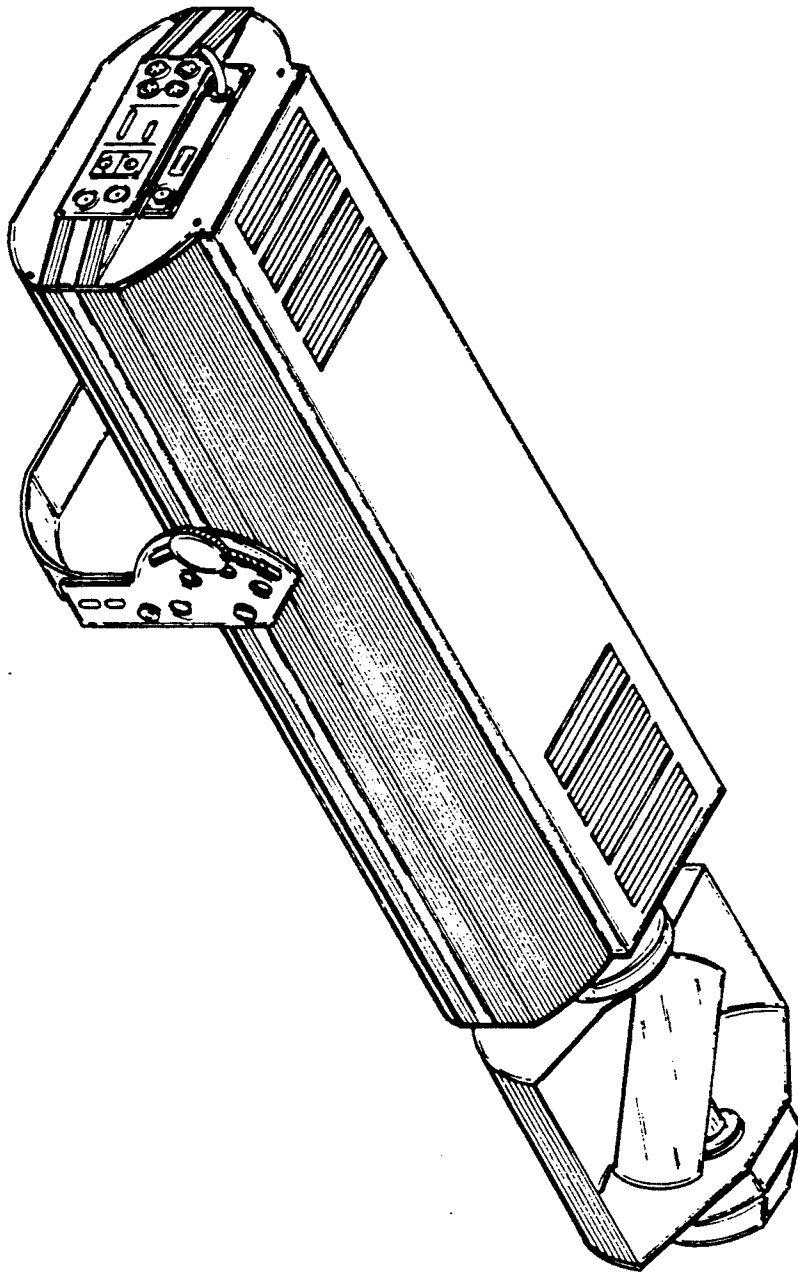


Fig. 8