

April 18, 1950

J. KLIEGL
SPOTLIGHT

Des. 158,200

Filed March 13, 1948

2 Sheets-Sheet 1

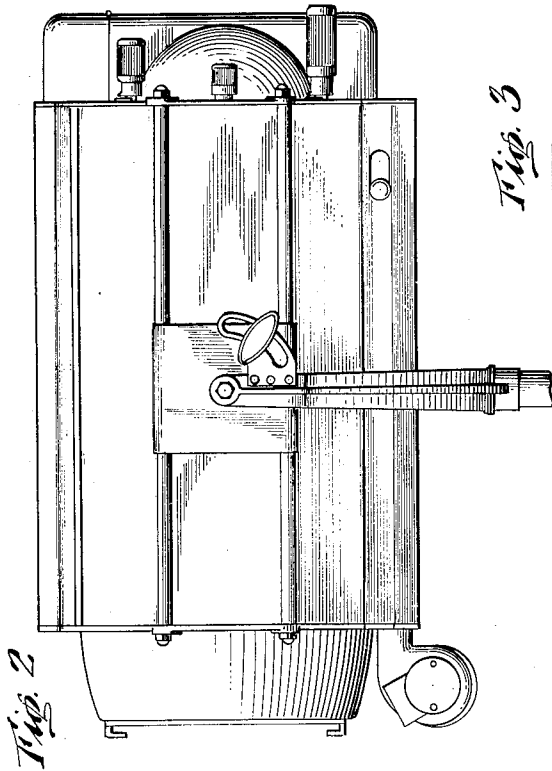


Fig. 3

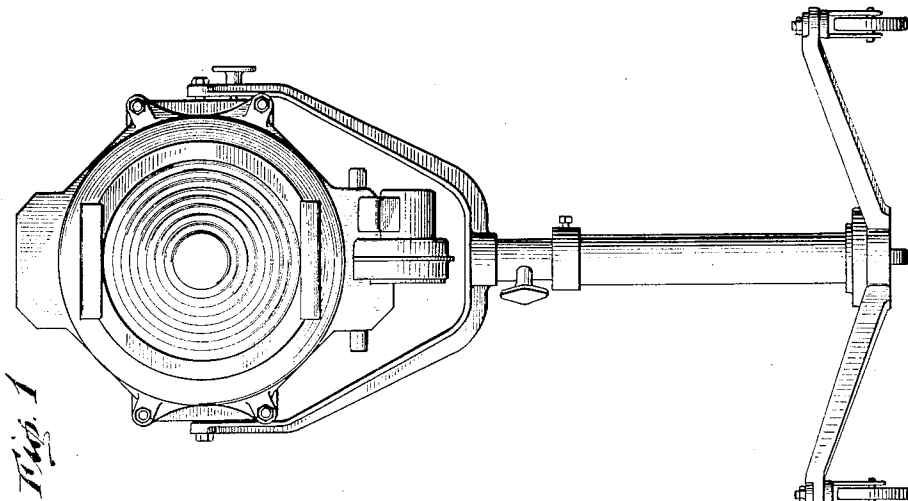
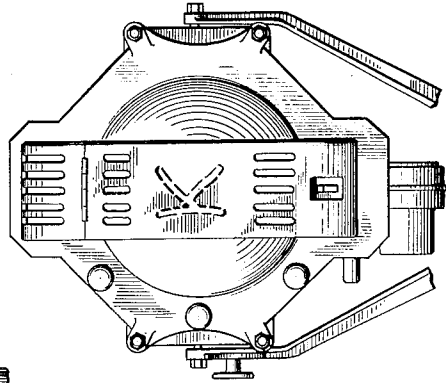


Fig. 1

INVENTOR.
Joseph Kliegel
BY
Robert S. Dunham
ATTORNEY

April 18, 1950

J. KLIEGL
SPOTLIGHT

Des. 158,200

Filed March 13, 1948

2 Sheets-Sheet 2

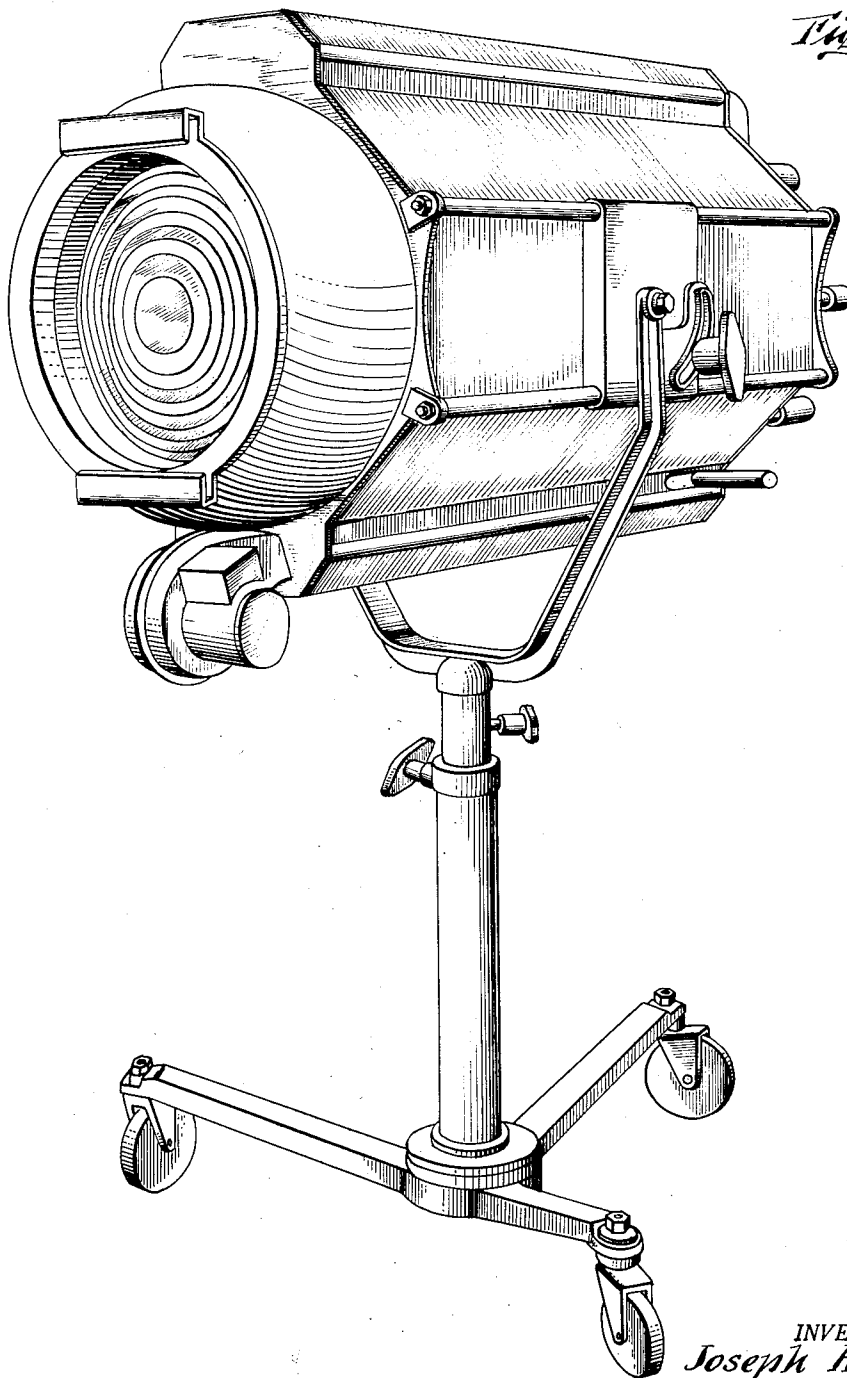


Fig. 4

INVENTOR.
Joseph Kliegel
BY
Robert S. Dunham
ATTORNEY

UNITED STATES PATENT OFFICE

158,200

SPOTLIGHT

Joseph Kliegl, Queens Village, N. Y.

Application March 13, 1948, Serial No. 145,087

Term of patent 14 years

(Cl. D48—20)

To all whom it may concern:

Be it known that I, Joseph Kliegl, a citizen of the United States of America and resident of Queens Village, in the county of Queens and State of New York, have invented a new, original, and ornamental Design for Spotlight, of which the following is a specification, reference being had to the accompanying drawings, forming a part thereof, wherein:

Fig. 1 is a front elevational view of a spotlight, showing my new design;

Fig. 2 is a side elevational view thereof, omitting the lower portion of the stand;

Fig. 3 is a rear elevational view with the stand partly broken away; and

Fig. 4 is a view in perspective of the entire spotlight and its stand.

I claim:

The ornamental design for a spotlight, substantially as shown and described.

JOSEPH KLIEGL.

REFERENCES CITED

The following references are of record in the file of this patent:

UNITED STATES PATENTS

Number	Name	Date
1,782,660	Meyer	Nov. 25, 1930

OTHER REFERENCES

IES Lighting Handbook 1947, pages 13-44, Figs. 13-36, and pages 14-20, Figs. 14-10.