



US0D1083847S

(12) **United States Design Patent**
Tobij et al.

(10) **Patent No.:** **US D1,083,847 S**

(45) **Date of Patent:** **** Jul. 15, 2025**

- (54) **LIGHTING CONTROL CONSOLE**
- (71) Applicant: **ROBE lighting s.r.o.**, Roznov pod Radhostem (CZ)
- (72) Inventors: **Jean Bert Tobij**, London (GB); **Josef Valchar**, Prostredni Becva (CZ)
- (73) Assignee: **ROBE lighting s.r.o.**, Roznov pod Radhostem (CZ)

D845,912 S *	4/2019	Adenau	D13/164
D845,913 S *	4/2019	Adenau	D13/164
D849,694 S *	5/2019	Adenau	D13/164
D849,695 S *	5/2019	Adenau	D13/164
D853,974 S *	7/2019	Adenau	D13/164
D969,777 S *	11/2022	Ito	D14/217
D1,032,544 S *	6/2024	Tobij	D13/164
D1,032,545 S *	6/2024	Tobij	D13/164
2010/0321306 A1 *	12/2010	Adenau	H05B 47/155 345/173

(Continued)

(**) Term: **15 Years**

OTHER PUBLICATIONS

(21) Appl. No.: **29/941,240**

TinEyem search result, audioeffetti.com/product/images, Avolites Lighting Console, first indexed by TinEye on Feb. 11, 2025, 1 pg.*

(22) Filed: **May 8, 2024**

(Continued)

(30) **Foreign Application Priority Data**

Mar. 15, 2024 (EM) 015053830-0002

(51) **LOC (15) Cl.** **13-03**

(52) **U.S. Cl.**
USPC **D13/164; D14/217**

(58) **Field of Classification Search**
USPC D13/162, 163, 164; D14/142, 217
CPC .. H05B 47/10; H05B 47/105; H05B 47/1165;
H05B 47/155; G06F 3/016; G06F 3/02;
G06F 3/0219; G06F 3/0238; G06F
3/04166; G06F 1/1643; H05K 7/2039
See application file for complete search history.

Primary Examiner — Selina Sikder

(74) *Attorney, Agent, or Firm* — Conley Rose, P.C.;
Brooks W Taylor

(57) **CLAIM**

The ornamental design for a lighting control console, as shown.

DESCRIPTION

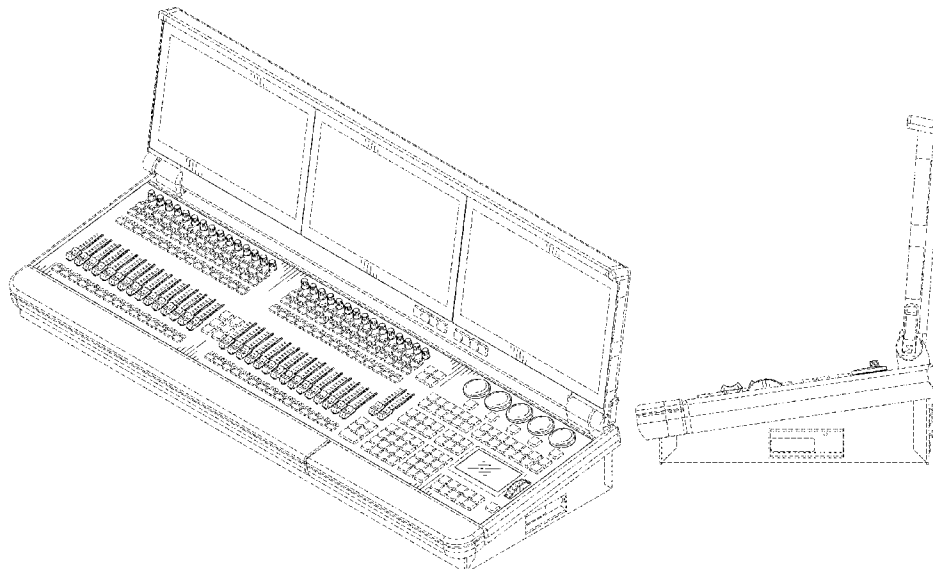
FIG. 1 is a front perspective view of a lighting control console in accordance with our new design;
FIG. 2 is a front elevation view thereof;
FIG. 3 is a rear elevation view thereof;
FIG. 4 is a right side elevation view thereof;
FIG. 5 is a left side elevation view thereof, for the side opposite that of FIG. 4;
FIG. 6 is a top elevation view thereof; and,
FIG. 7 is a bottom elevation view thereof.
The broken lines shown in the drawings are only provided to illustrate the environment of the design, and form no part of the claimed design.

(56) **References Cited**

U.S. PATENT DOCUMENTS

D569,370 S *	5/2008	Wussler	D14/217
D607,438 S *	1/2010	Ito	D14/217
D666,159 S *	8/2012	Adenau	D13/164
D748,607 S *	2/2016	Ito	D14/217
D824,880 S *	8/2018	Jackson	D14/217
D824,881 S *	8/2018	Jackson	D14/217
D841,598 S *	2/2019	Adenau	D13/164
D841,602 S *	2/2019	Adenau	D13/164

1 Claim, 6 Drawing Sheets



(56)

References Cited

U.S. PATENT DOCUMENTS

2011/0169430 A1* 7/2011 Kirkup H05B 47/155
315/312
2012/0004745 A1* 1/2012 Adenau H05B 47/175
700/90
2020/0378549 A1* 12/2020 Adenau F21V 23/003

OTHER PUBLICATIONS

fullcompass.com, Avolites Diamond 7 (215) Avolites Diamond 7
Lighting Console, product launch date late summer 2024.*
fullcompass.com, Avolites Diamond 7 (330) Avolites Diamond 7
Lighting Console, three panel, product launch date late summer
2024.*
TinEye search result, Full Boar 4 Console, first indexed by TinEye
on Oct. 24, 2014, 1 pg.*
TinEye search results, Elation M6 Lighting Controller with Flight
Case, first indexed by TinEye on Oct. 9, 2019, 1 pg.*

* cited by examiner

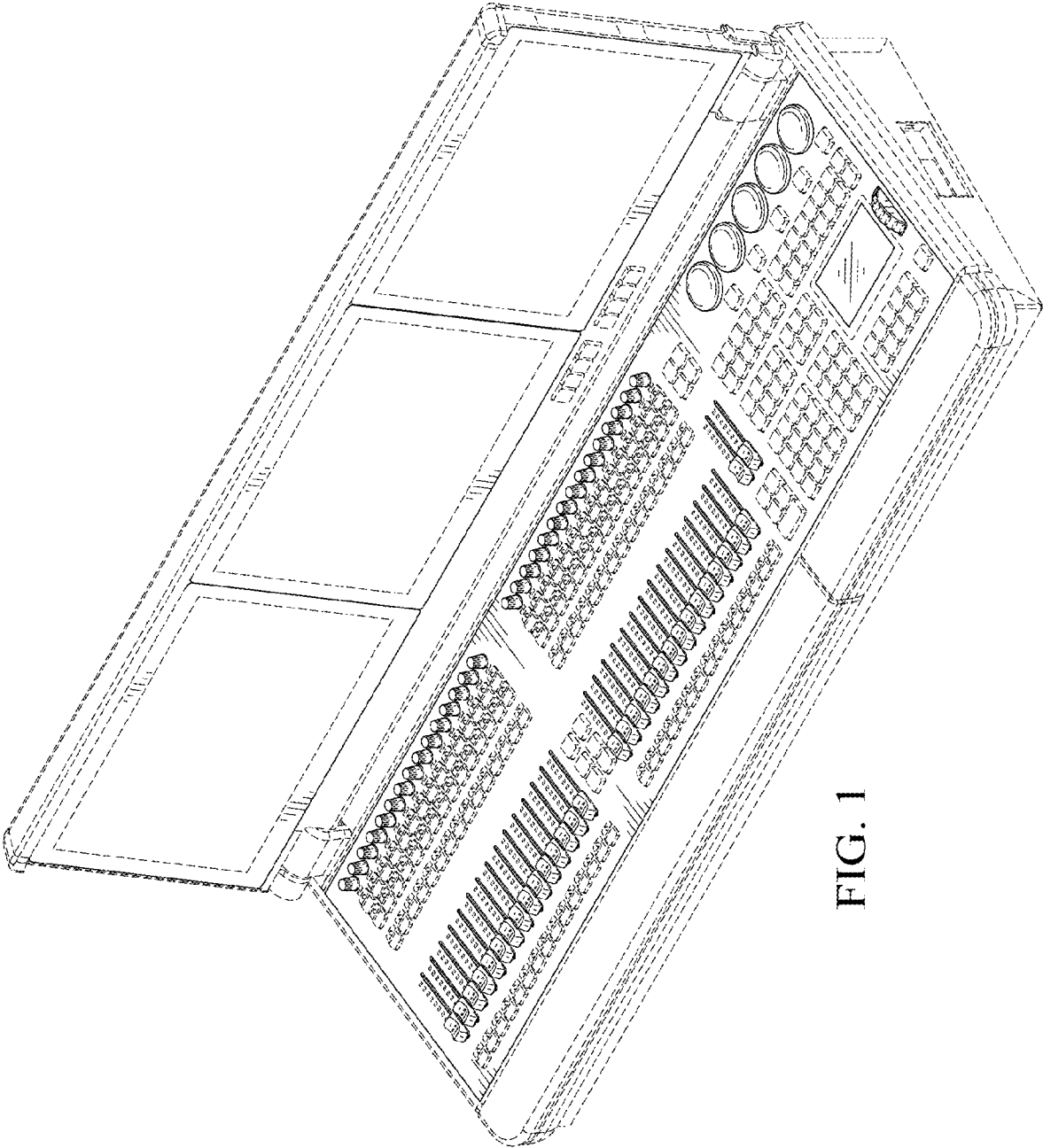


FIG. 1

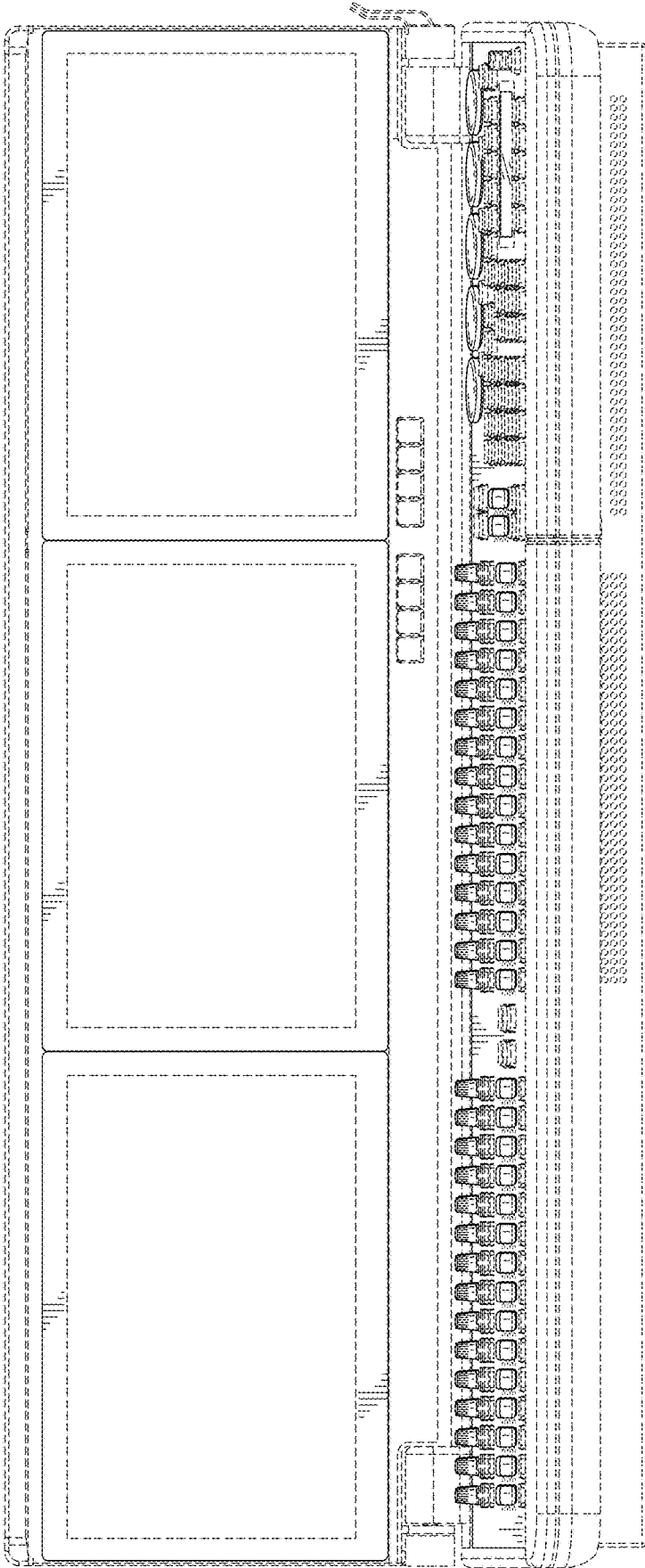


FIG. 2

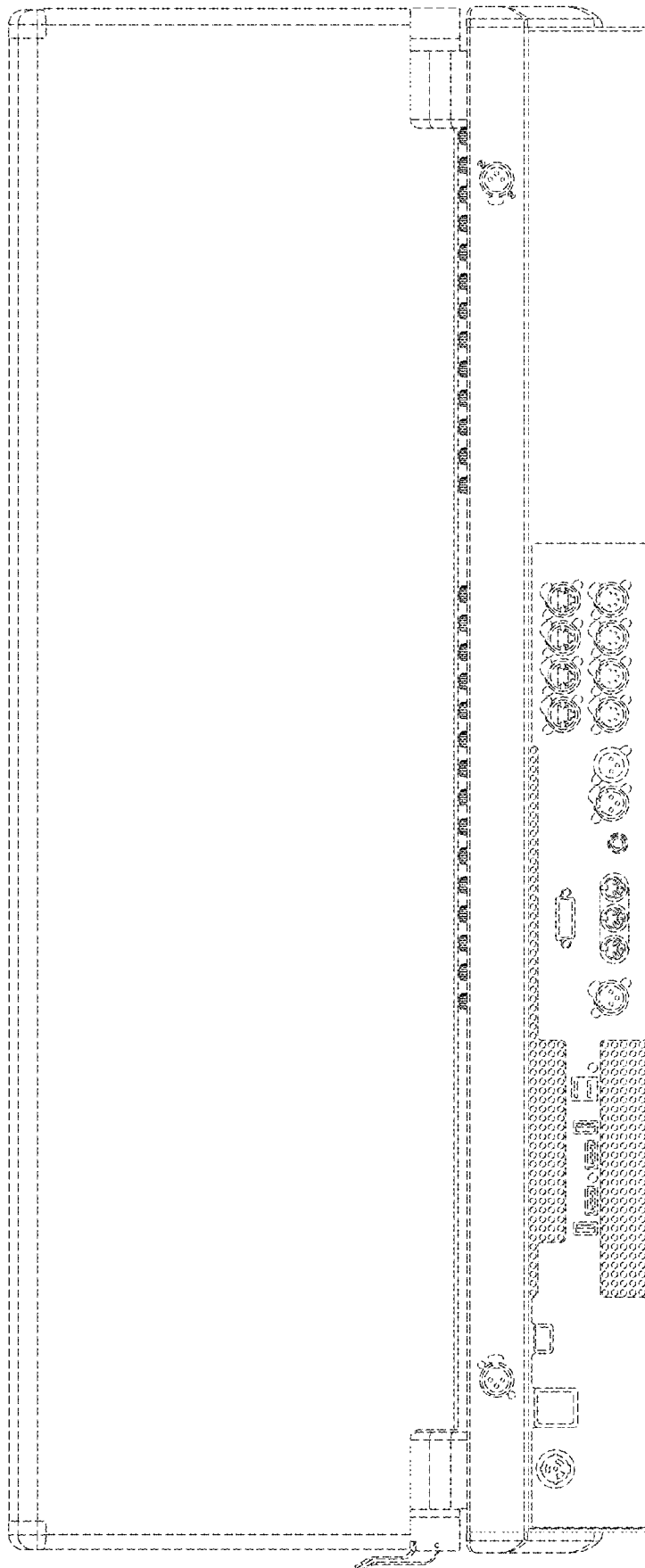


FIG. 3

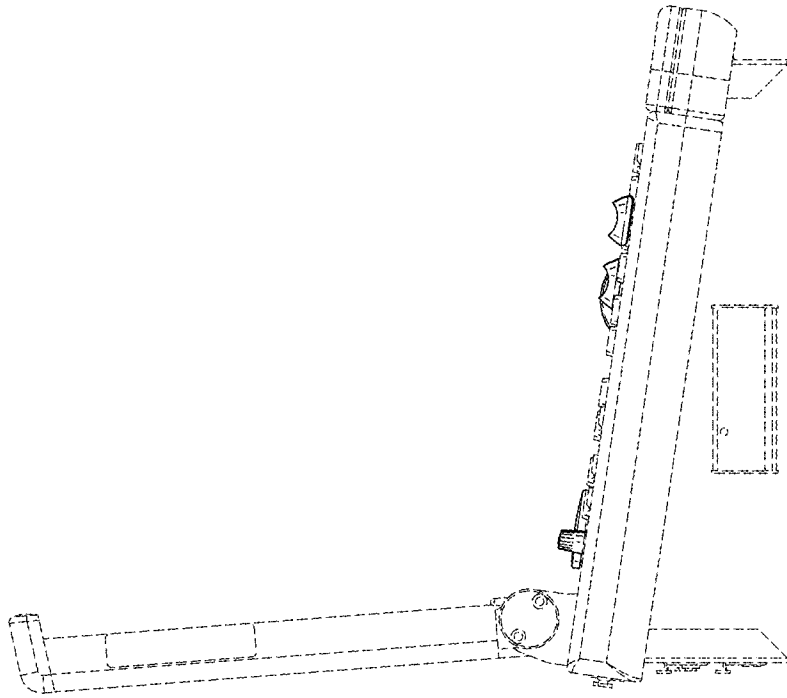


FIG. 5

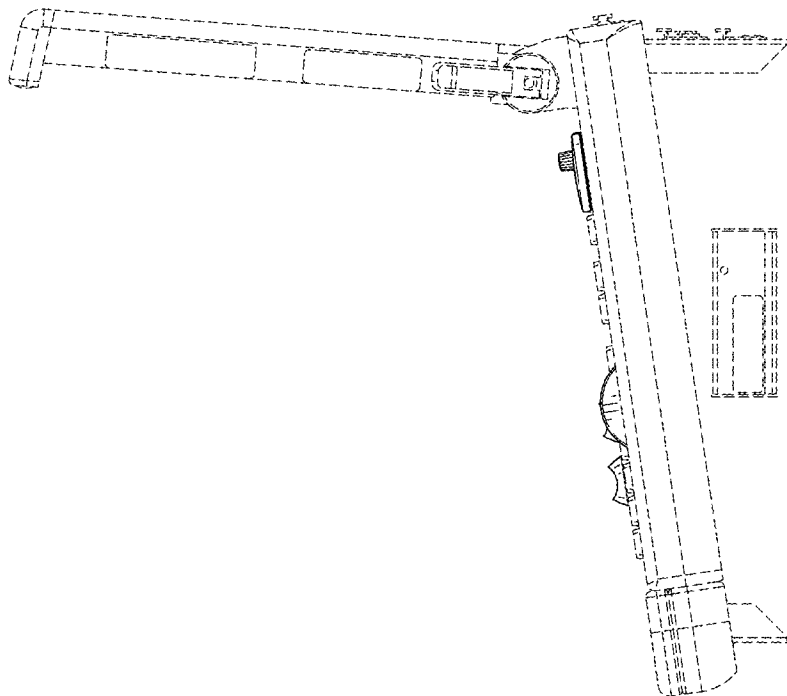


FIG. 4

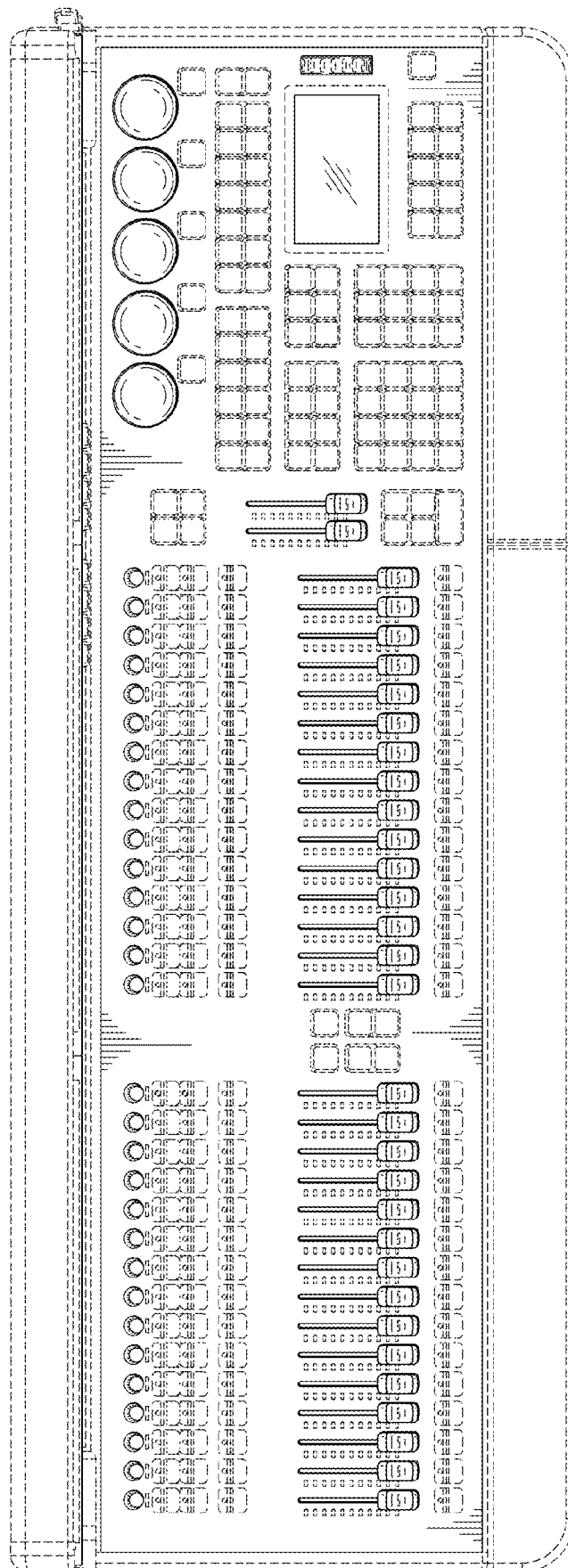


FIG. 6

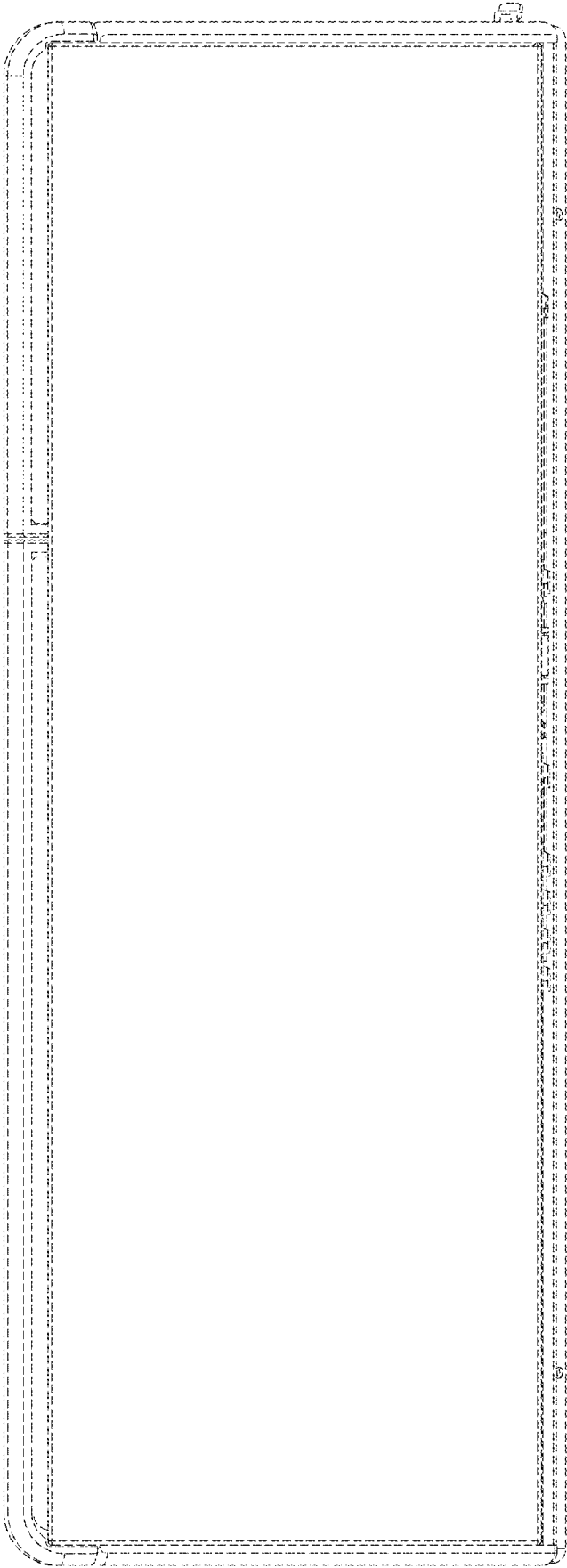


FIG. 7