



(12) **United States Design Patent**  
**Alfier et al.**

(10) **Patent No.: US D1,083,180 S**  
(45) **Date of Patent: \*\* Jul. 8, 2025**

(54) **STAGE LIGHT FIXTURE PART OF**

29/507; F21V 15/00; F21V 15/01; F21V  
15/02

(71) Applicant: **CLAY PAKY S.R.L.**, Seriate (IT)

See application file for complete search history.

(72) Inventors: **Alberto Alfier**, Seriate (IT); **Giovanni Zucchini**, Seriate (IT); **Carmine Pirozzi**, Seriate (IT); **Andrea Morra**, Seriate (IT)

(56) **References Cited**

U.S. PATENT DOCUMENTS

1,581,926	A	*	4/1926	Jones	.....	F21S 8/00
						362/282
D672,915	S	*	12/2012	Toft	.....	D26/123
D861,970	S	*	10/2019	Chen	.....	D26/124
D886,348	S	*	6/2020	Liu	.....	D26/63
D911,566	S	*	2/2021	Lv	.....	D26/63
D982,219	S	*	3/2023	Jin	.....	D26/93
D995,861	S	*	8/2023	Sun	.....	D26/63
D1,001,333	S	*	10/2023	Zhang	.....	D26/63
D1,011,580	S	*	1/2024	Gou	.....	D26/63
D1,023,387	S	*	4/2024	Zhang	.....	D26/63
D1,035,955	S	*	7/2024	Péard	.....	D26/63

(Continued)

(73) Assignee: **CLAY PAKY S.R.L.**, Seriate (IT)

(\*\*) Term: **15 Years**

(21) Appl. No.: **35/520,655**

(22) Filed: **Apr. 21, 2023**

(80) **Hague Agreement Data**

Int. Filing Date: **Apr. 21, 2023**

Int. Reg. No.: **DM/228483**

Int. Reg. Date: **Apr. 21, 2023**

Int. Reg. Pub. Date: **Apr. 26, 2024**

OTHER PUBLICATIONS

Spotlight Led Beam Light; Retrieved from [www.amazon.com](https://www.amazon.com/Spotlight-Led-Beam-Light-Irradiation/dp/B0CS3QRSP8?th=1) at <https://www.amazon.com/Spotlight-Led-Beam-Light-Irradiation/dp/B0CS3QRSP8?th=1>; Retrieved on Jan. 23, 2025; First available on Jan. 11, 2024 (Year: 2024).\*

(Continued)

(51) **LOC (15) Cl.** ..... **26-05**

(52) **U.S. Cl.**

USPC ..... **D26/63**

*Primary Examiner* — Clint A Samuel

(74) *Attorney, Agent, or Firm* — Leason Ellis LLP

(58) **Field of Classification Search**

USPC ..... D26/24, 40, 60, 61, 63, 64, 65, 72, 87,  
D26/88, 118, 119, 120

CPC ..... F21S 8/00; F21S 8/06; F21S 8/003; F21S  
8/033; F21S 8/063; F21S 8/083; F21S  
9/00; F21S 9/02; F21S 9/022; F21W  
2131/10; F21W 2131/40; F21W  
2131/101; F21W 2131/103; F21W  
2131/105; F21W 2131/107; F21W  
2131/406; F21W 2131/1005; F21V 21/02;  
F21V 21/06; F21V 21/14; F21V 21/30;  
F21V 21/116; F21V 29/506; F21V

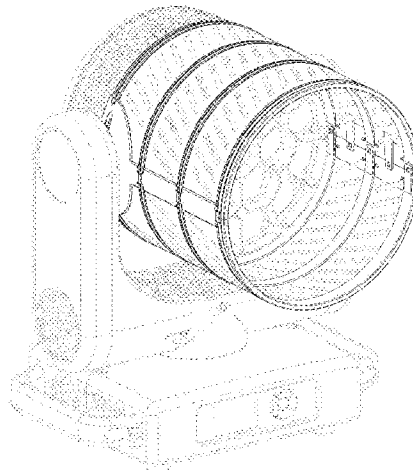
(57) **CLAIM**

The ornamental design for the stage light fixture part of as shown and described.

**DESCRIPTION**

- 2. Stage light fixture (part of-)
- 2.1 : Front side perspective view
- 2.2 : Rear side perspective view
- 2.3 : Front
- 2.4 : Left
- 2.5 : Rear view
- 2.6 : Right

(Continued)



2.7 : Top

2.8 : Bottom

The broken line shown is for the purpose of illustrating portions of the stage light fixture and forms no part of the claimed design.

**1 Claim, 8 Drawing Sheets**

(56)

**References Cited**

U.S. PATENT DOCUMENTS

D1,035,956 S *	7/2024	Qian	.....	D26/63
D1,036,737 S *	7/2024	Toft	.....	D26/63
D1,041,717 S *	9/2024	Liu	.....	D26/63
D1,045,172 S *	10/2024	Liu	.....	D26/63
D1,064,389 S *	2/2025	Schroer	.....	D26/63

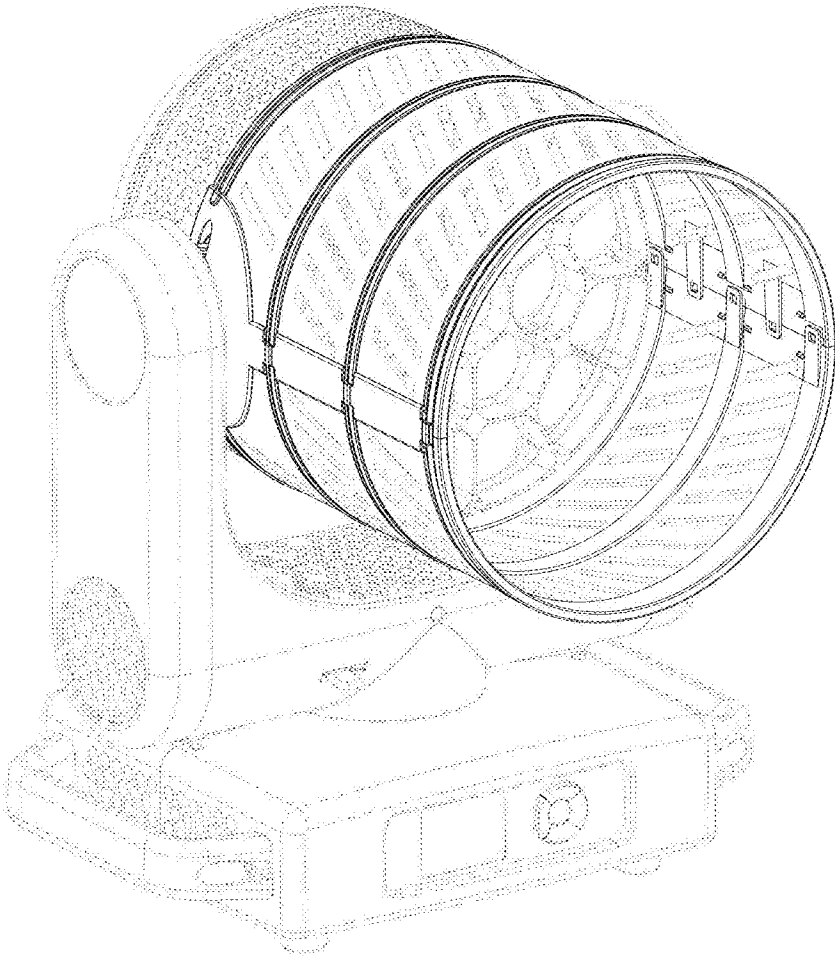
OTHER PUBLICATIONS

Holdlamp Moving Head Lights; Retrieved from [www.amazon.com](http://www.amazon.com) at <https://www.amazon.com/dp/B0CB88CBWR>; Retrieved on Jan. 23, 2025; First available on Jul. 6, 2023 (Year: 2023).\*

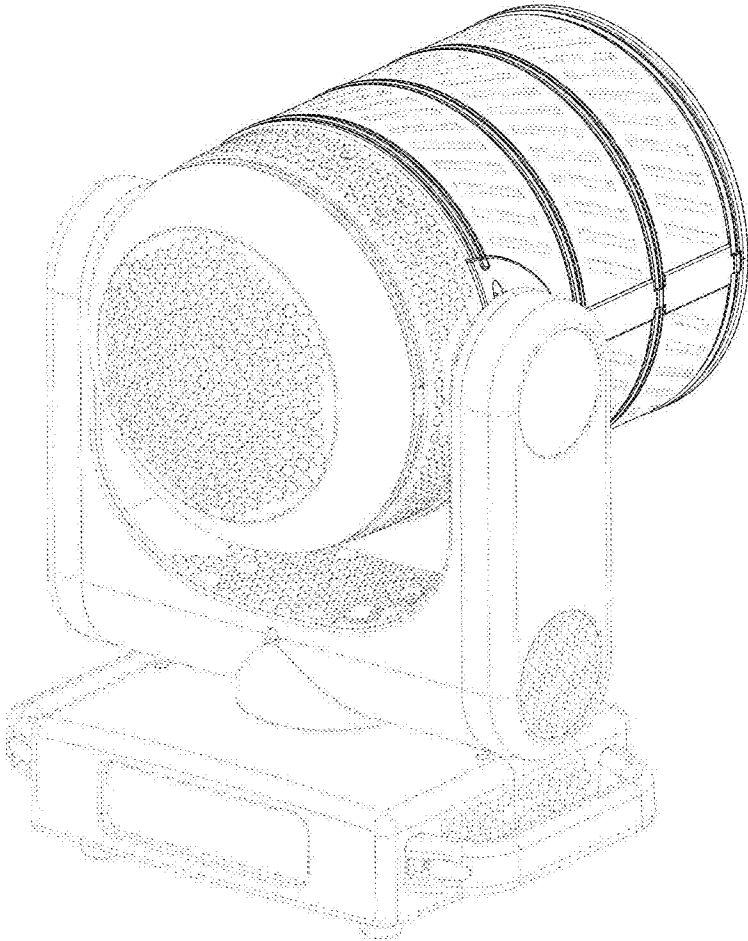
U'King 80W LED Moving Head Light; Retrieved from [www.amazon.com](http://www.amazon.com) at <https://www.amazon.com/dp/B0BHKZX5RJ>; Retrieved on Jan. 23, 2025; First available on Oct. 7, 2022 (Year: 2022).\*

\* cited by examiner

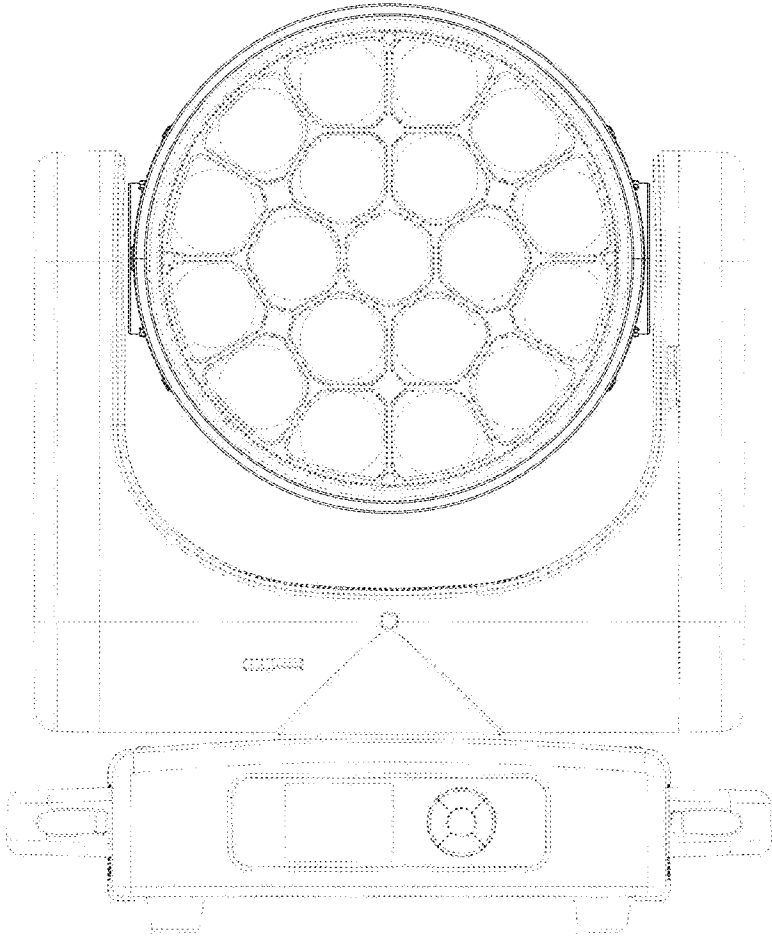
2.1



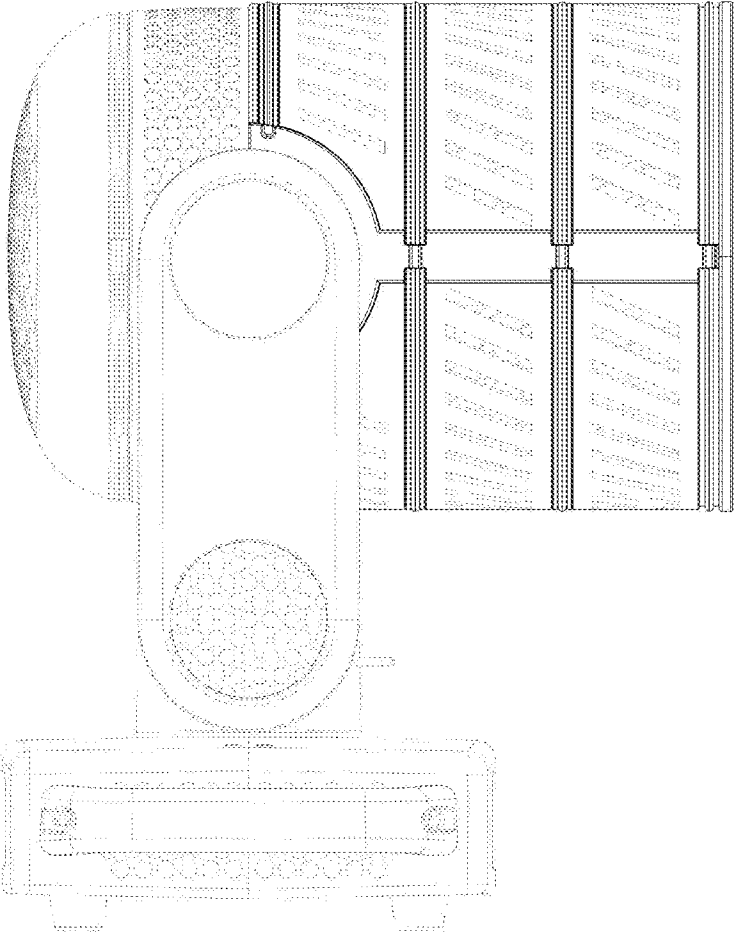
2.2



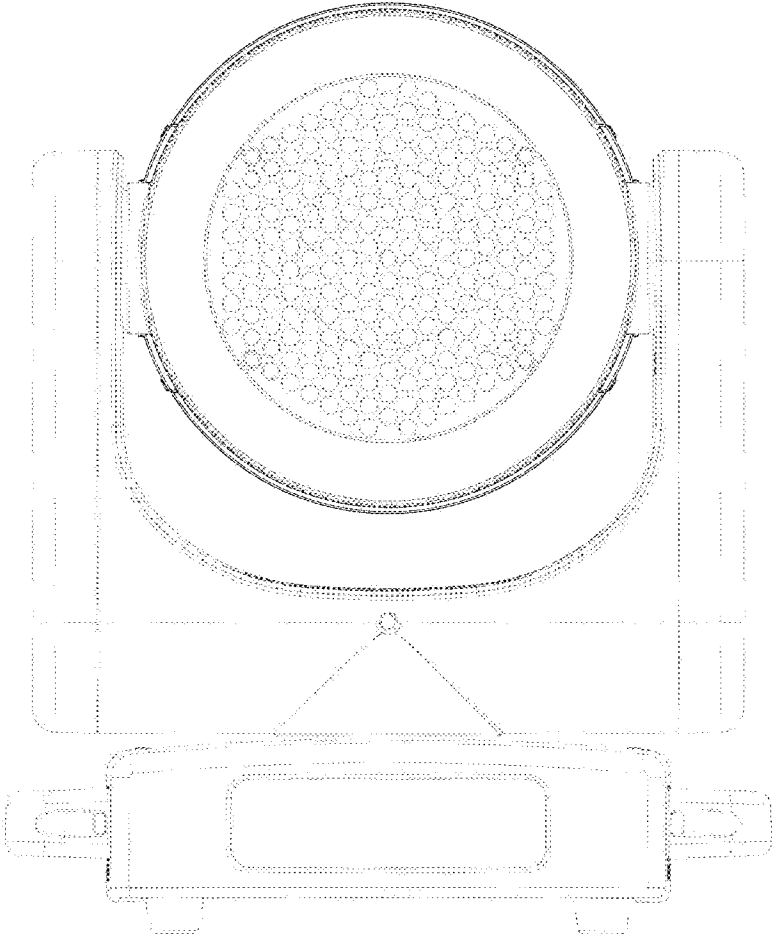
2.3



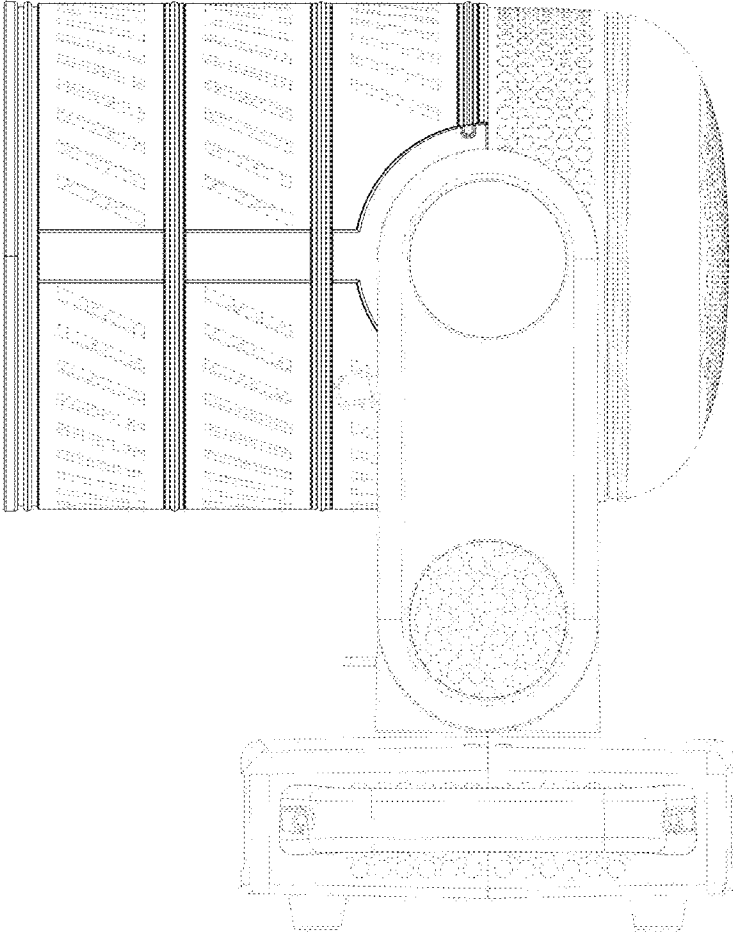
2.4



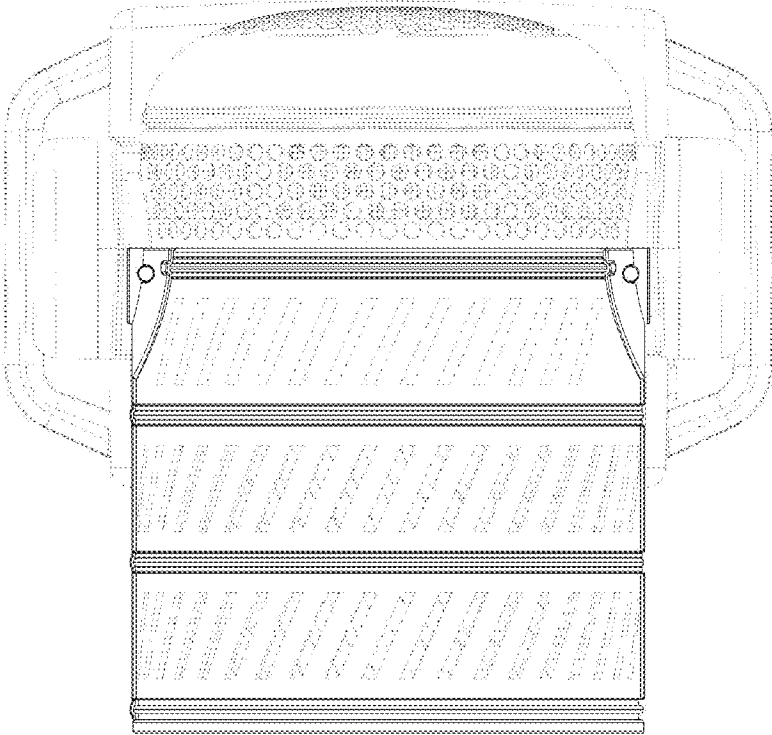
2.5



2.6



2.7



2.8

