



(56)

References Cited

U.S. PATENT DOCUMENTS

6,720,745	B2	4/2004	Lys et al.	
7,233,115	B2*	6/2007	Lys .....	F21S 48/325 315/224
7,274,175	B2*	9/2007	Manolescu .....	H02M 3/157 323/266
7,310,074	B2	12/2007	Chen	
7,405,523	B2	7/2008	Wilhelm et al.	
7,804,189	B2	9/2010	Koehler et al.	
7,961,113	B2	6/2011	Rabiner et al.	
8,143,792	B2	3/2012	Joo et al.	
8,197,079	B2	6/2012	Ruud et al.	
8,258,721	B2	9/2012	Meyer	
8,310,171	B2	11/2012	Reisenauer et al.	
8,436,555	B2*	5/2013	Lo .....	H05B 33/0806 315/287
8,604,712	B2	12/2013	Bloom et al.	
2002/0047642	A1	4/2002	Miyagawa	
2005/0218838	A1	10/2005	Lys	
2005/0289279	A1	12/2005	Fails et al.	
2006/0132063	A1	6/2006	Hung et al.	
2008/0018261	A1	1/2008	Kastner	
2008/0025028	A1	1/2008	Gloisten et al.	
2009/0179594	A1	7/2009	Yang	
2010/0066267	A1	3/2010	Meyer	
2010/0164403	A1	7/2010	Liu	
2010/0231136	A1	9/2010	Reisenauer et al.	
2011/0018464	A1	1/2011	Lo et al.	
2011/0309746	A1	12/2011	Eckel et al.	

OTHER PUBLICATIONS

Skanda; Microchip Technology Inc., Power Factor Correction in Power Conversion Applications using the dsPIC® DSC, AN1106, Jun. 2007.

Traxon Technologies, LED Engine XB 3W-108 Technical Specifications and User Manual Version 1.1, 2007.

Penwell Corporation, Dialight Lumidrives Launches Colordriver XP for High-Power LEDs, LEDs Magazine, downloaded from <http://www.ledsmagazine.com/press/15469>, Sep. 25, 2007.

Colourdriver XP data sheet, Jul. 30, 2008.

US—Tech Online, Dialight: New High Power LED Driver, downloaded from <http://www.us-tech.com>, Oct. 2007.

IST LTD., iDrive™ 1000 The Intelligent 210W LED Driver User Manual, v. 1.7, Jun. 20, 2008.

Roal Electronics, S.P.A, Programmable RGB LED Driver 200 Watts Model RHPS180 Product Details, Rev. 2, Oct. 2007.

International Searching Authority (CA), International Search Report and Written Opinion for International Patent Application No. PCT/CA2009/001295, Jan. 13, 2010.

Search & Examination Report (UK), Further Search Report and Examination Report for GB1102782.8, Sep. 6, 2012.

United States Patent and Trademark Office, Office Action for U.S. Appl. No. 13/059,336, Jan. 23, 2013.

United States Patent and Trademark Office, Office Action for U.S. Appl. No. 13/466,529, Dec. 13, 2013.

United States Patent and Trademark Office, Office Action for U.S. Appl. No. 13/466,509, Feb. 21, 2014.

United States Patent and Trademark Office, Office Action for U.S. Appl. No. 13/466,509, Jun. 27, 2014.

United States Patent and Trademark Office, Notice of Allowance for U.S. Appl. No. 13/466,509, Oct. 6, 2014.

Power Vector, A Division of Electronic Craftsmen, Product Information Sheet for IRIS LED Driver/Dimmer, Oct. 22, 2007.

Tryka L.E.D. Ltd, Product Information Sheet for IDS-12 Intelligent Drive System, <http://www.tryka.co.uk/IDS-12.htm>, downloaded Jul. 18, 2007.

\* cited by examiner

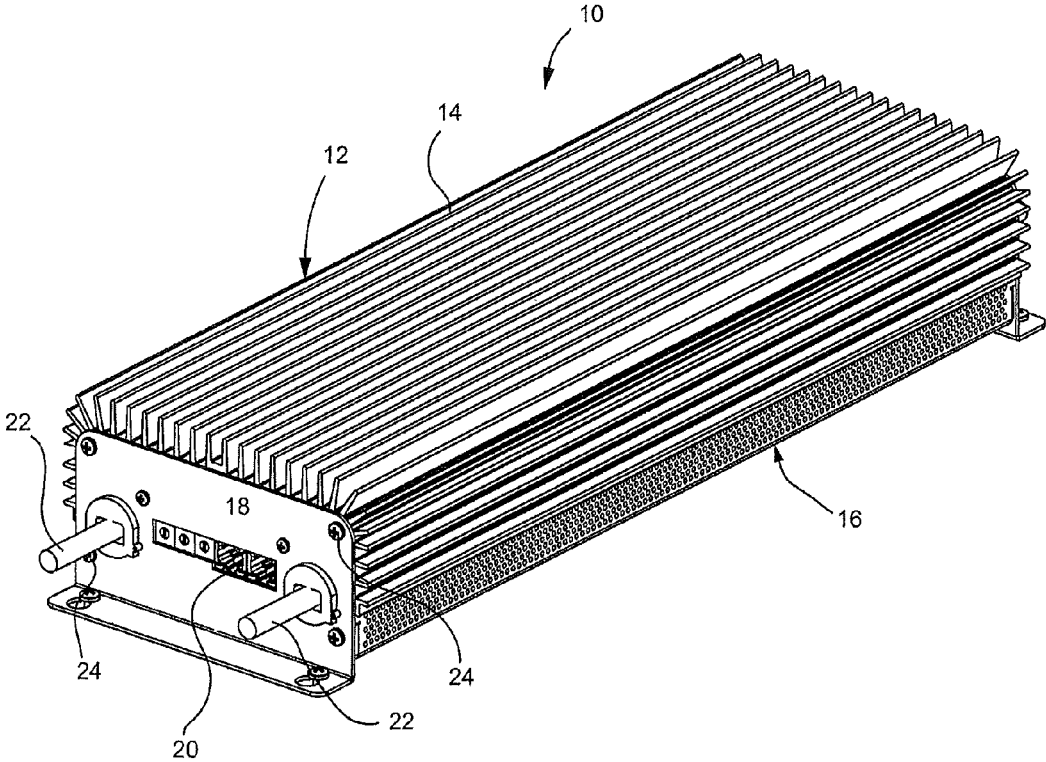


FIGURE 1

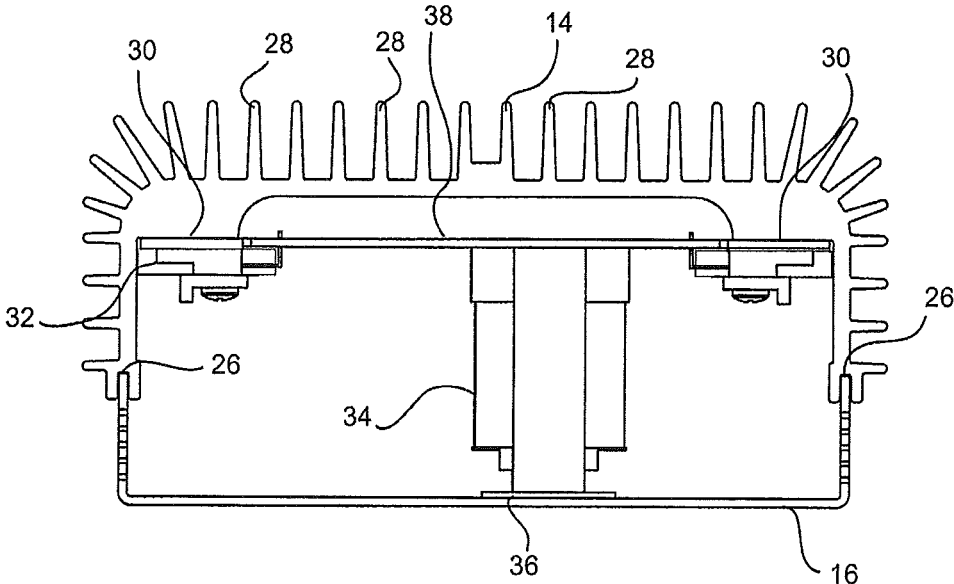


FIGURE 2a

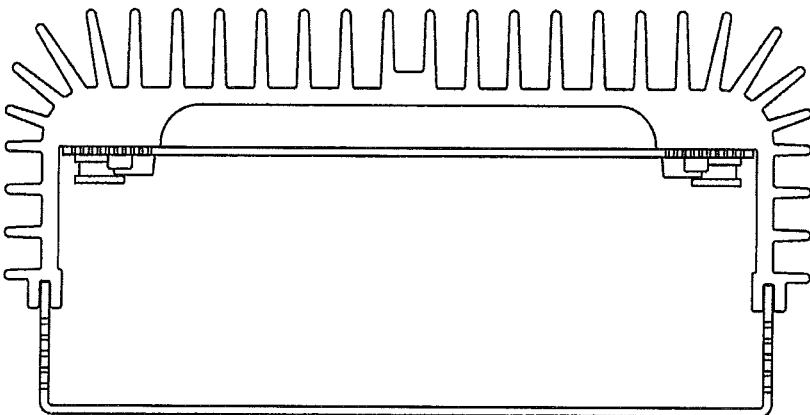


FIGURE 2b

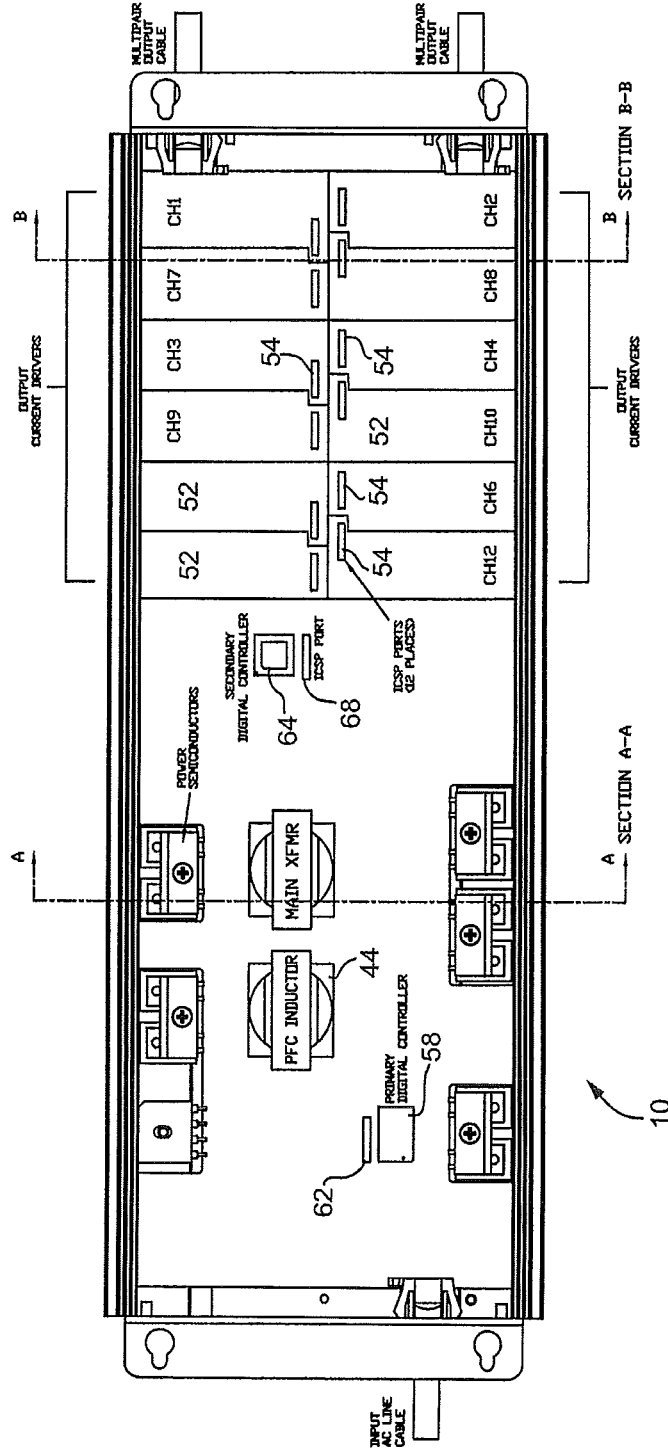


FIGURE 2C

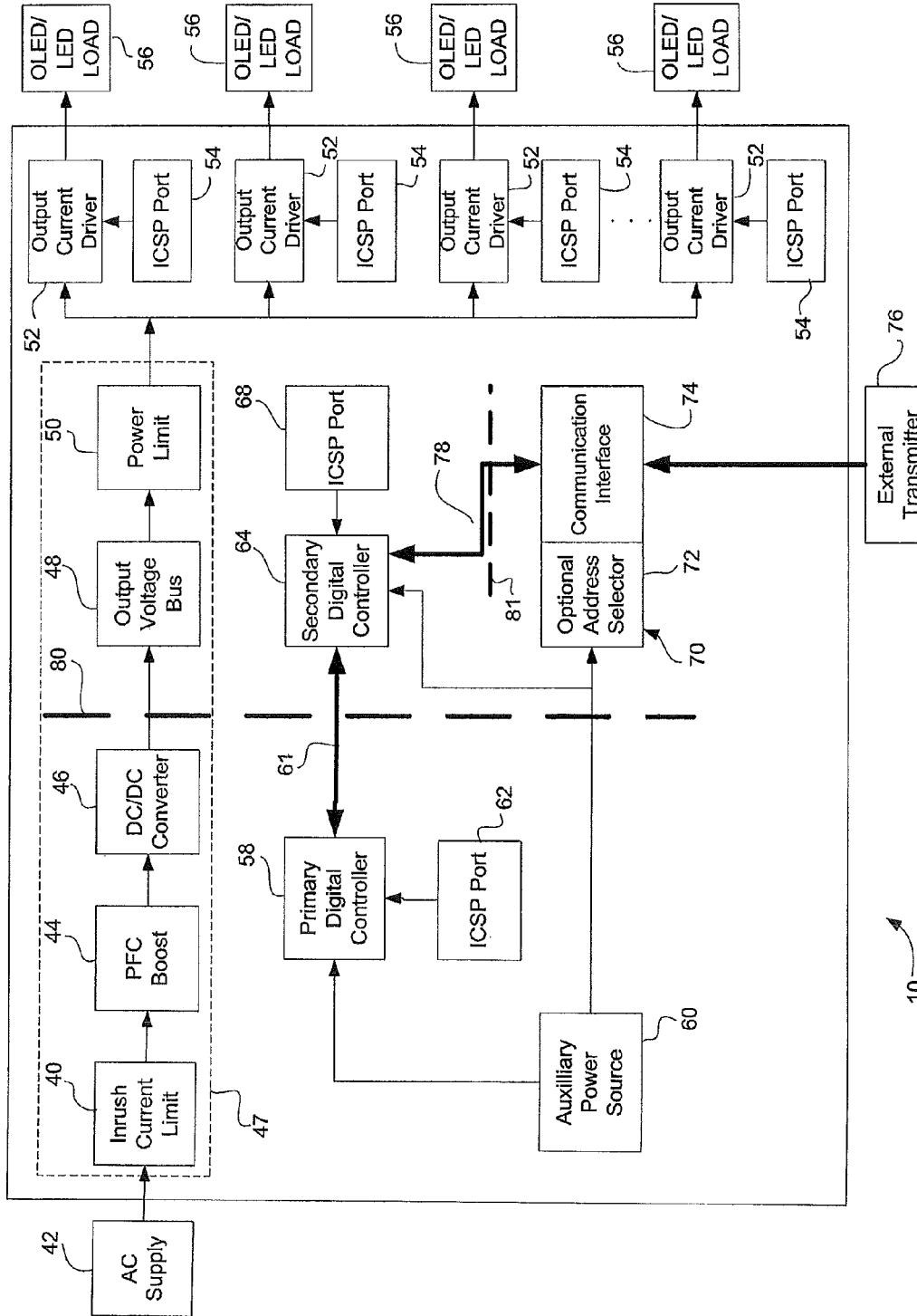


FIGURE 3

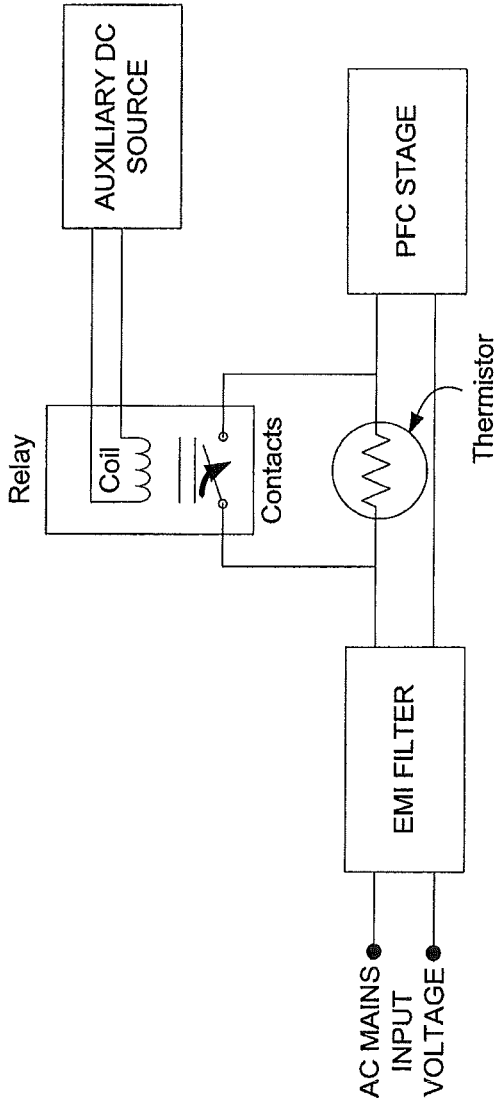


FIGURE 4 (PRIOR ART)

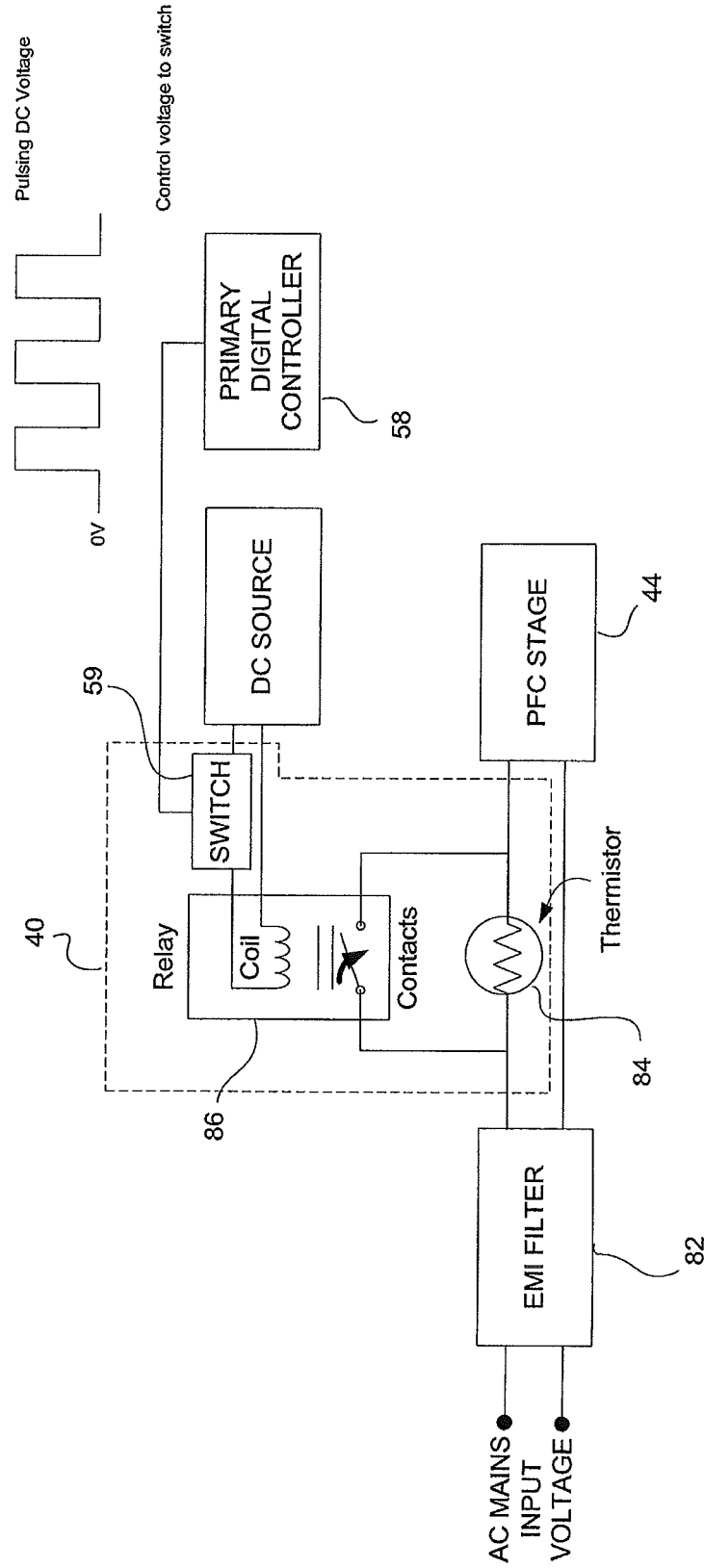


FIGURE 5

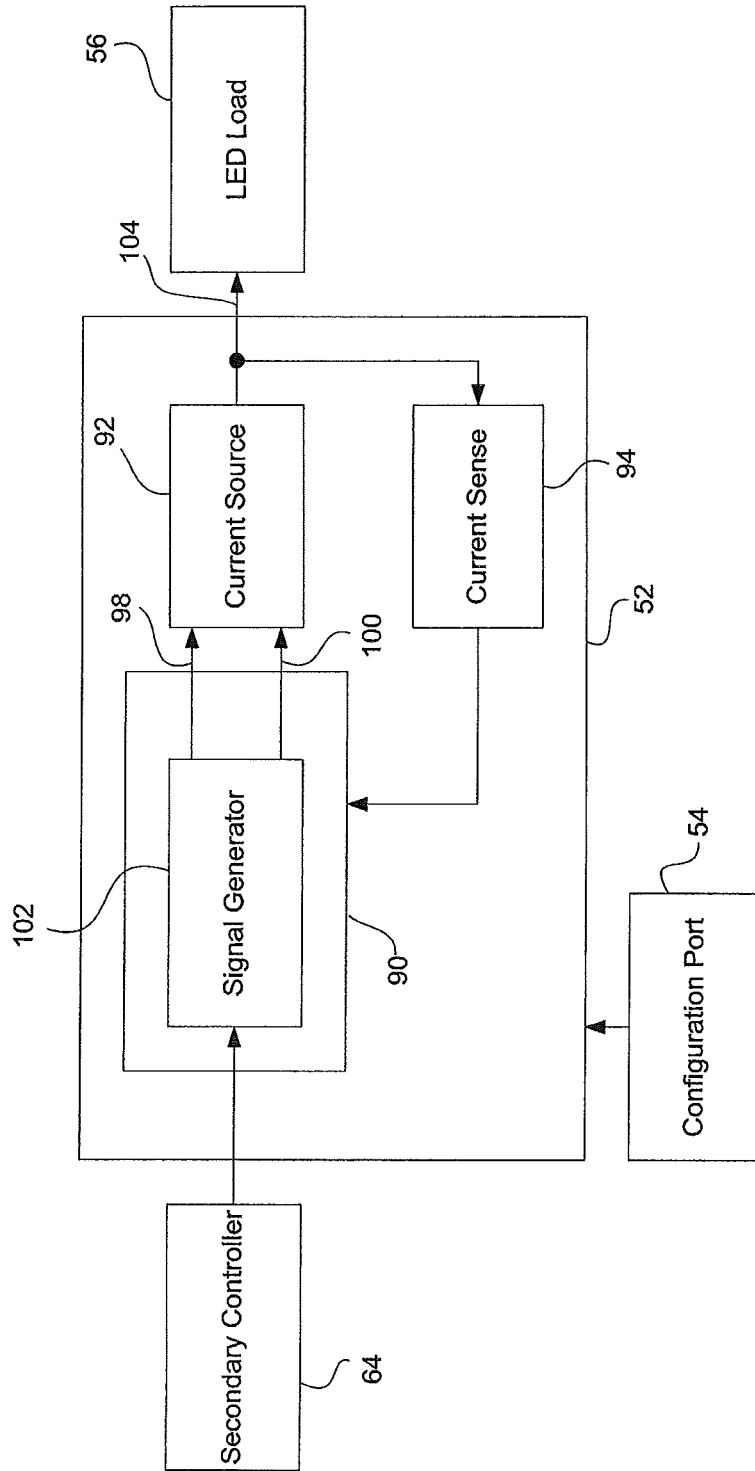


FIGURE 6

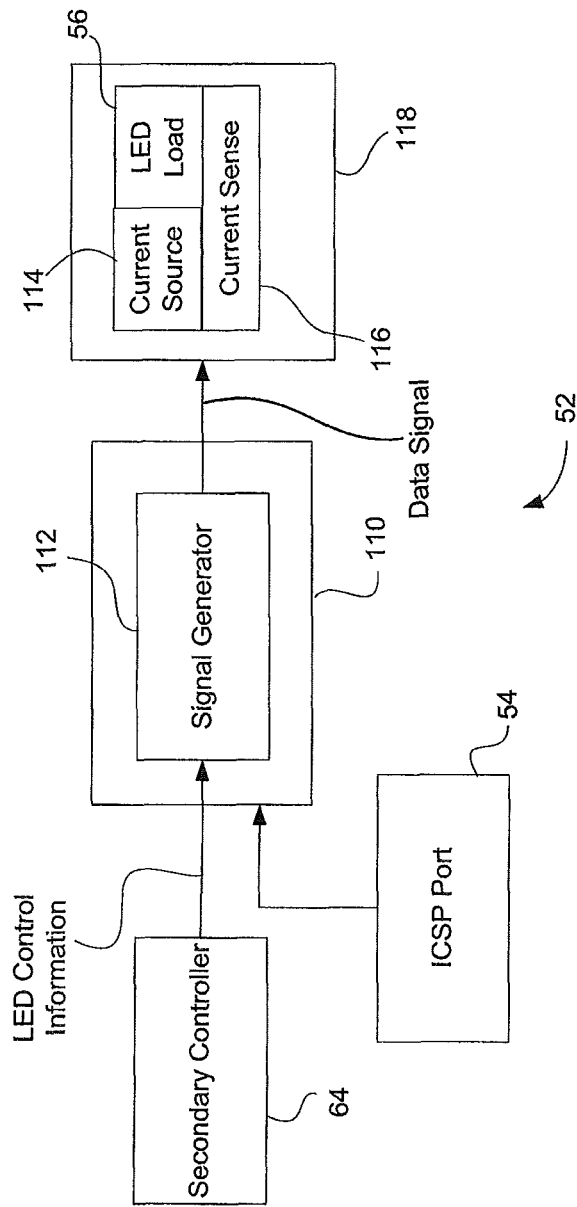


FIGURE 7

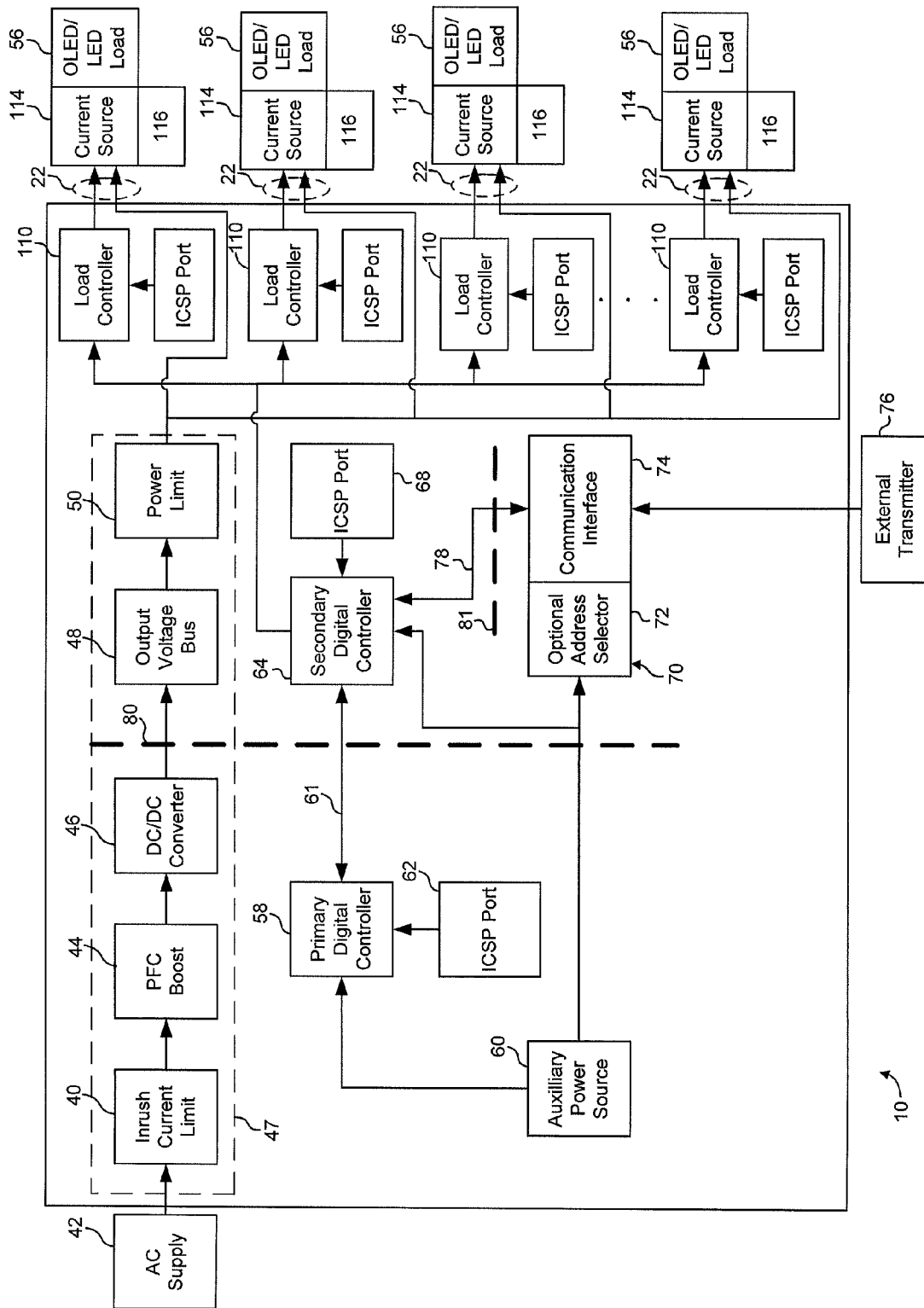


FIGURE 8

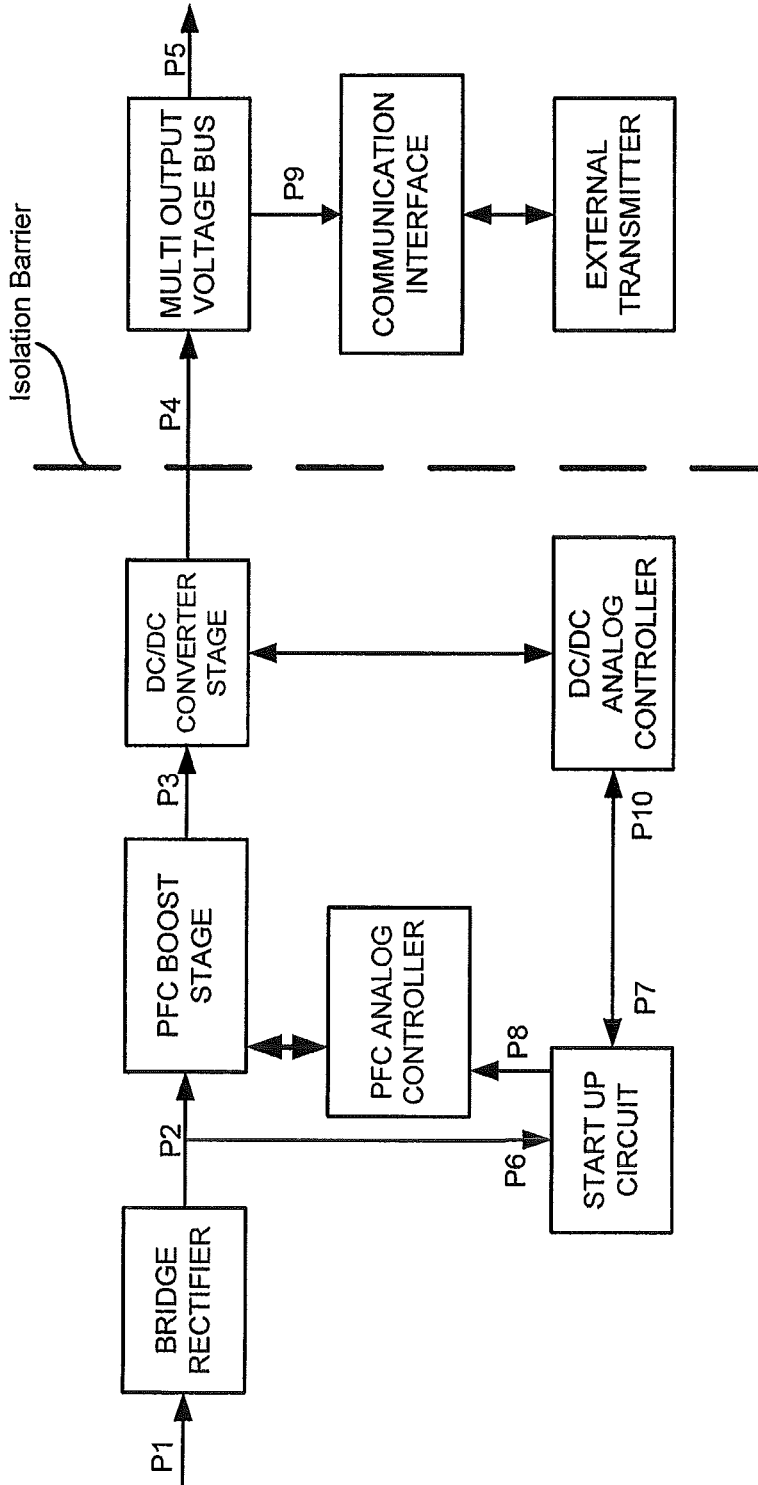


FIGURE 9 (PRIOR ART)

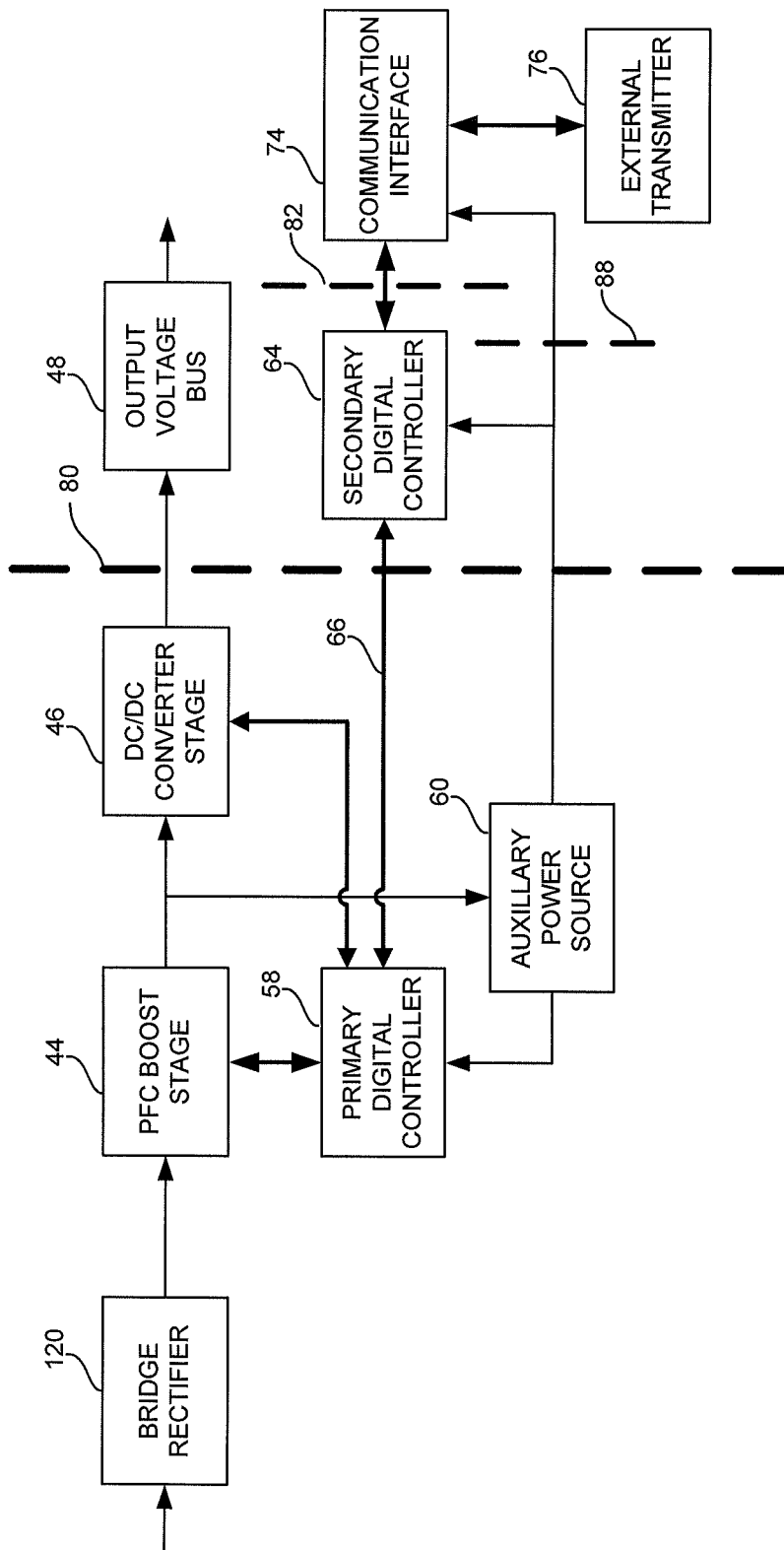


FIGURE 10

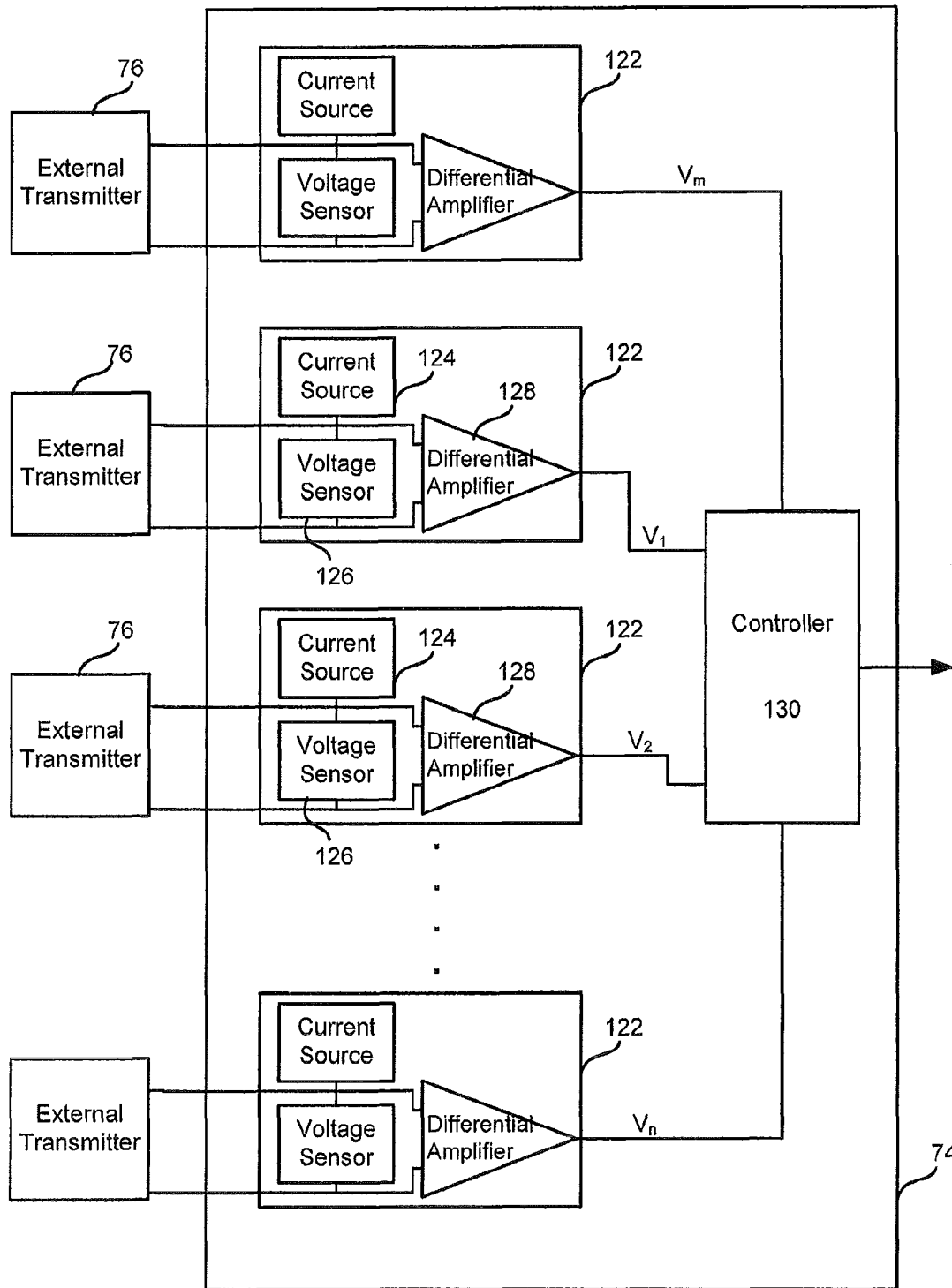


FIGURE 11

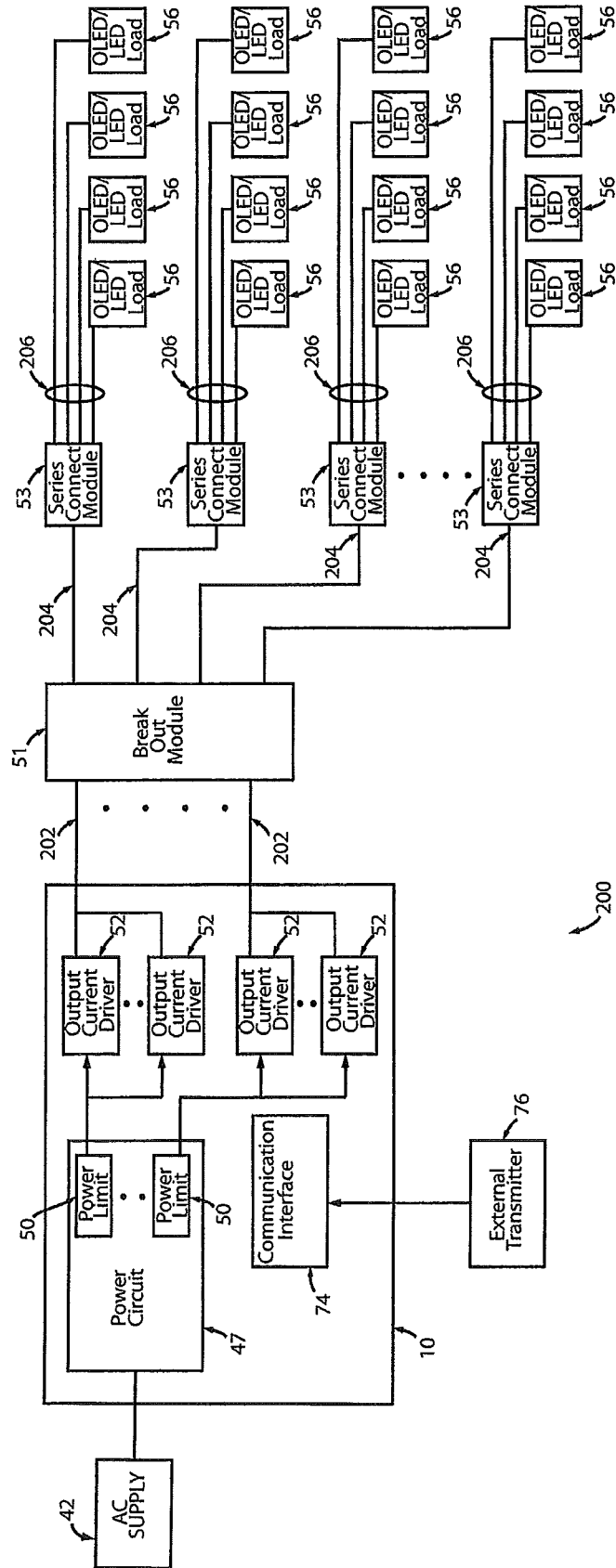


FIGURE 12

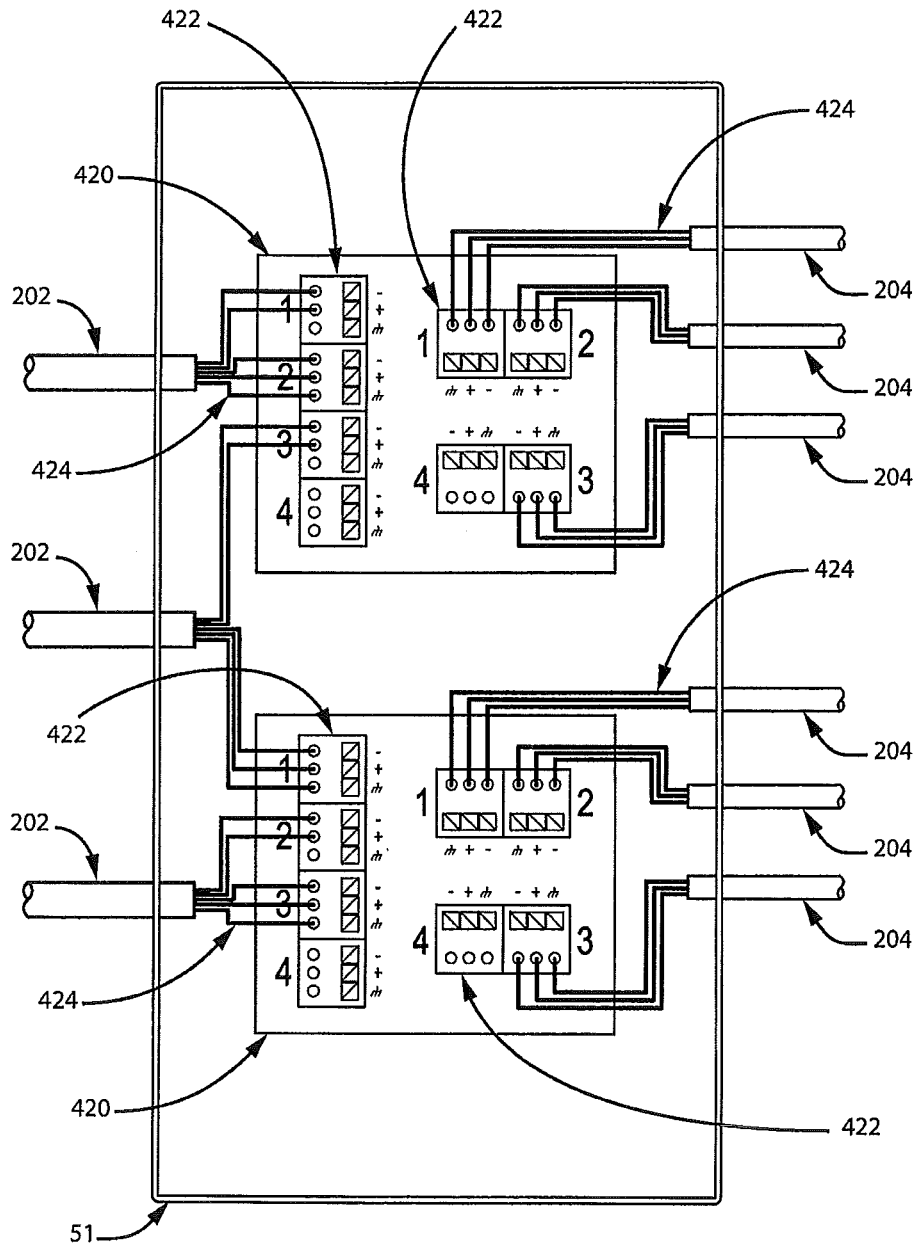


FIGURE 13a

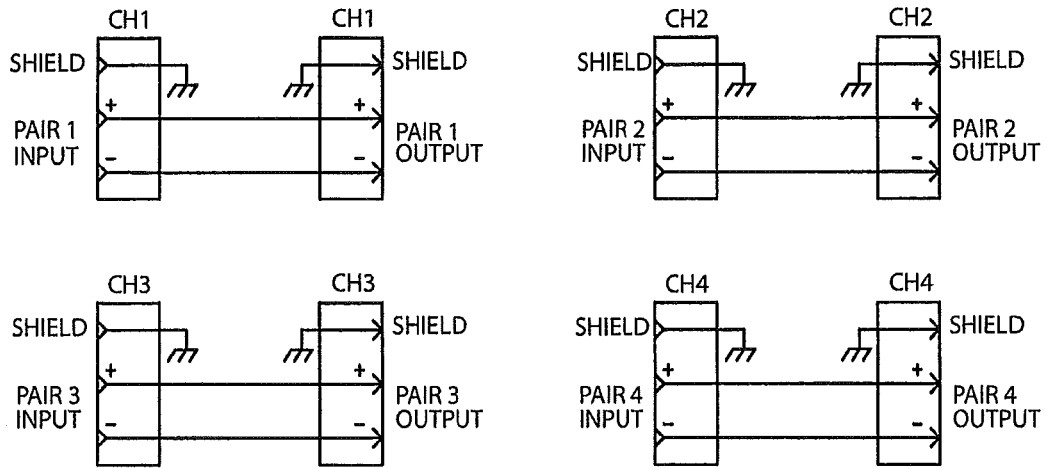


FIGURE 13b

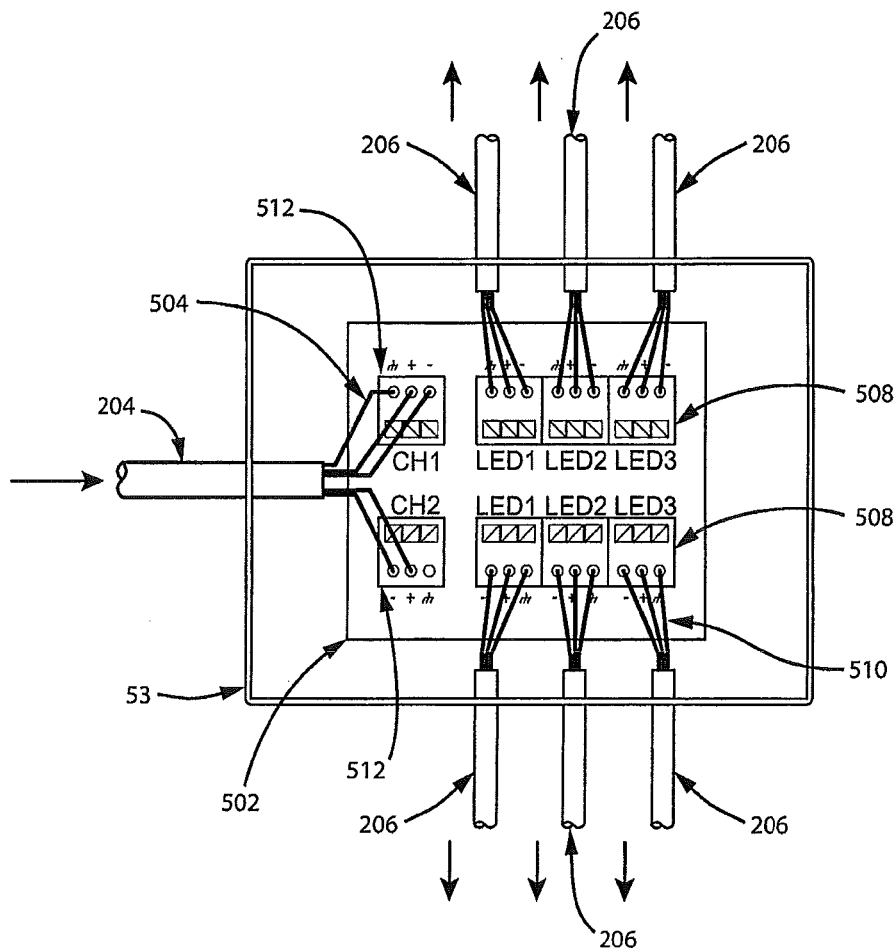


FIGURE 14a

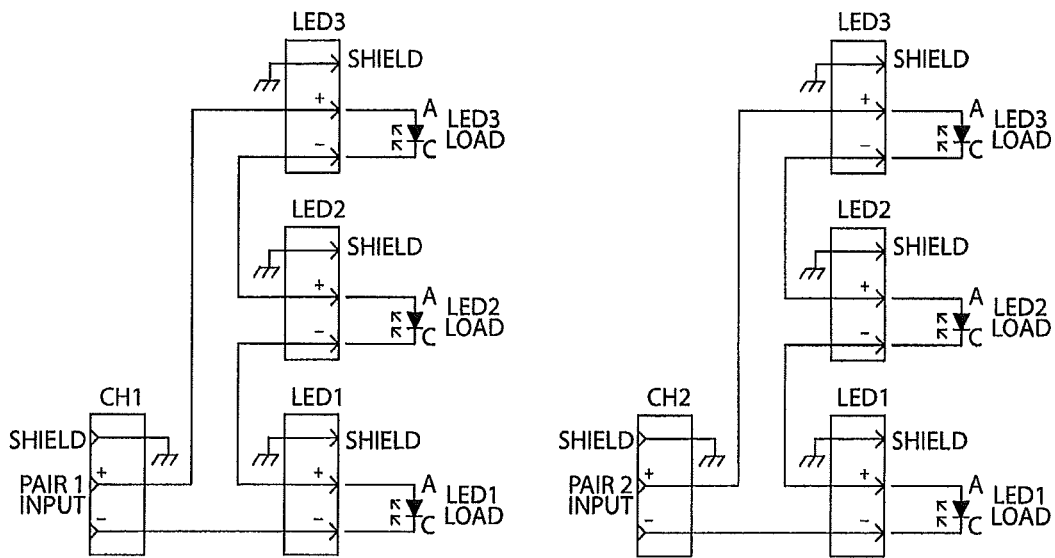


FIGURE 14b

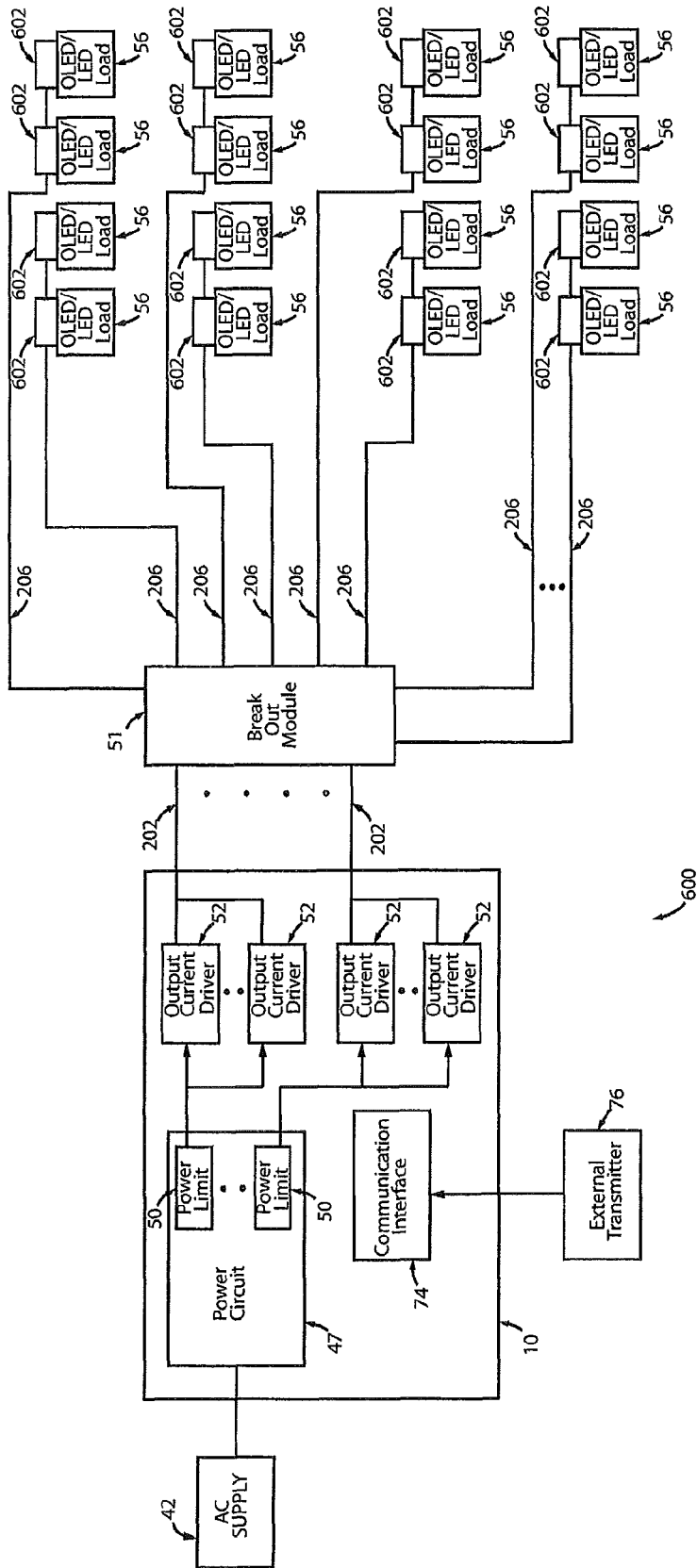


FIGURE 15

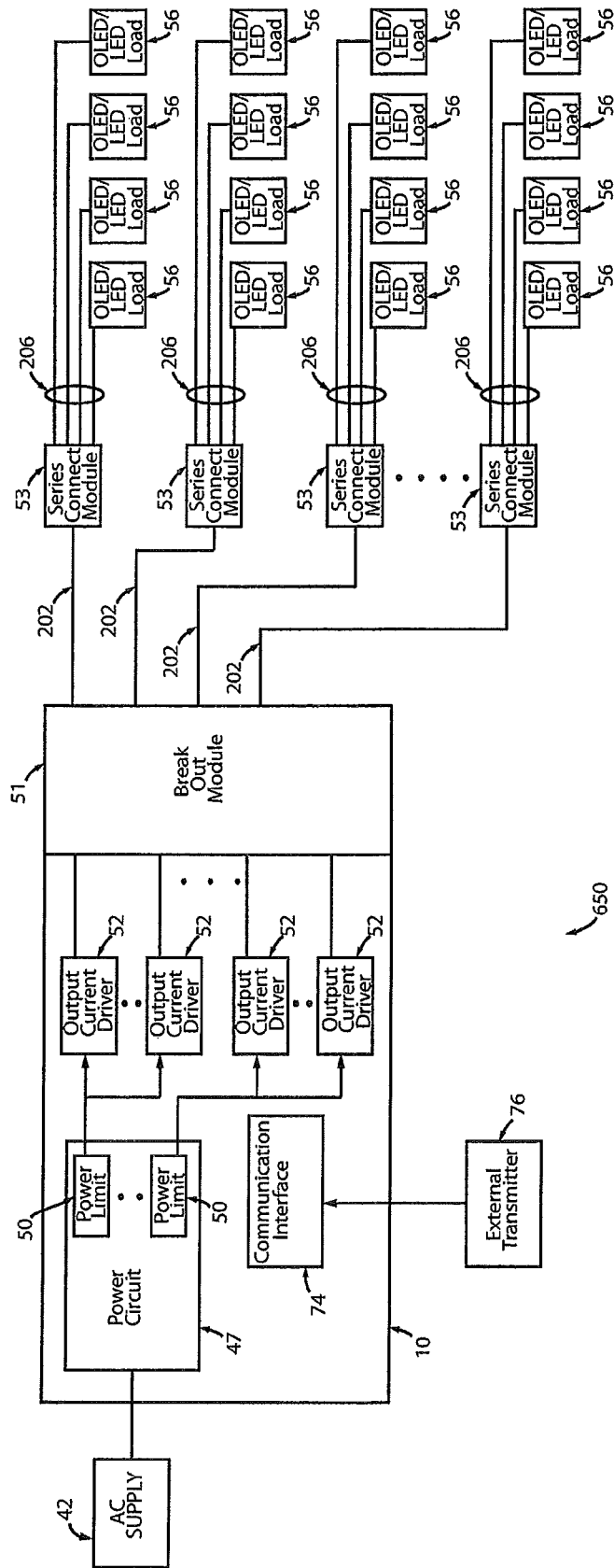


FIGURE 16

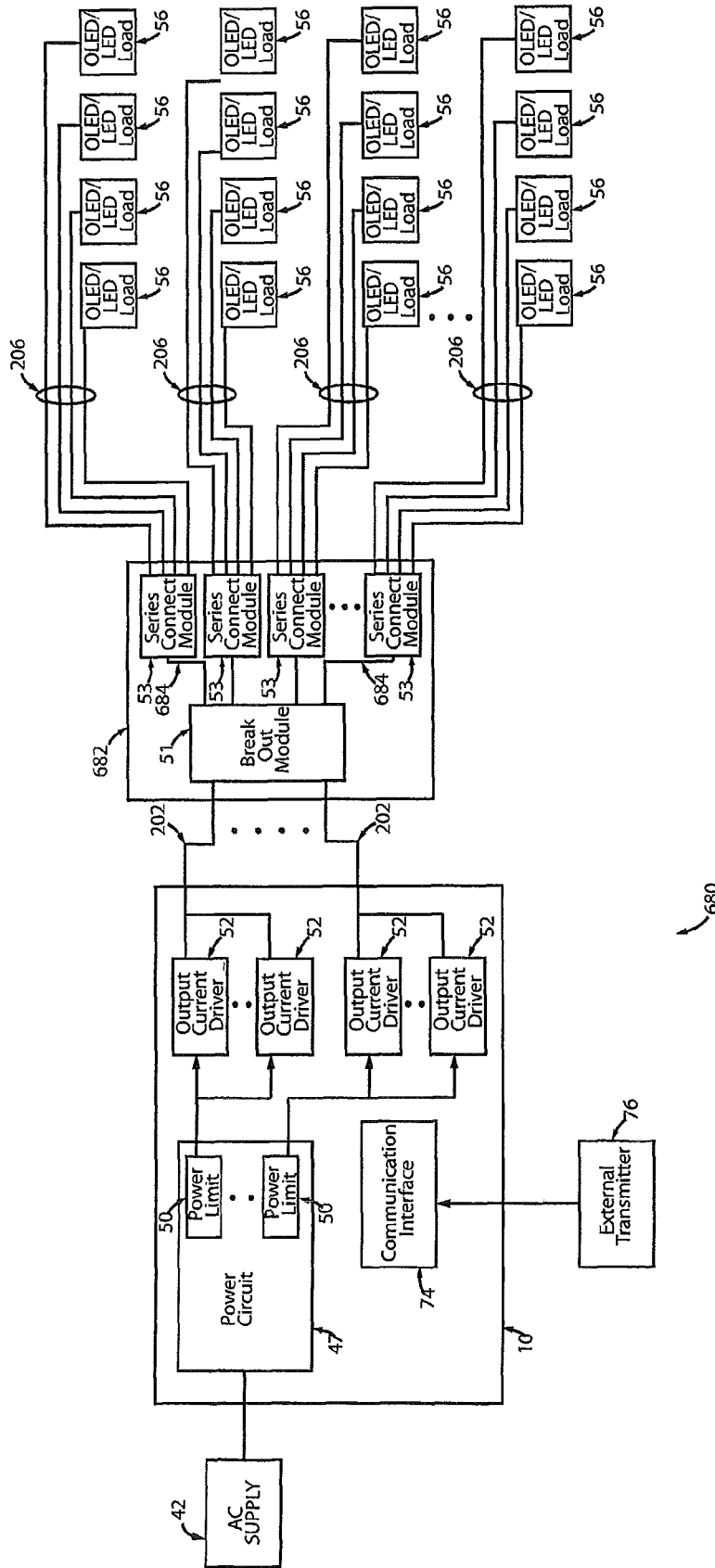


FIGURE 17

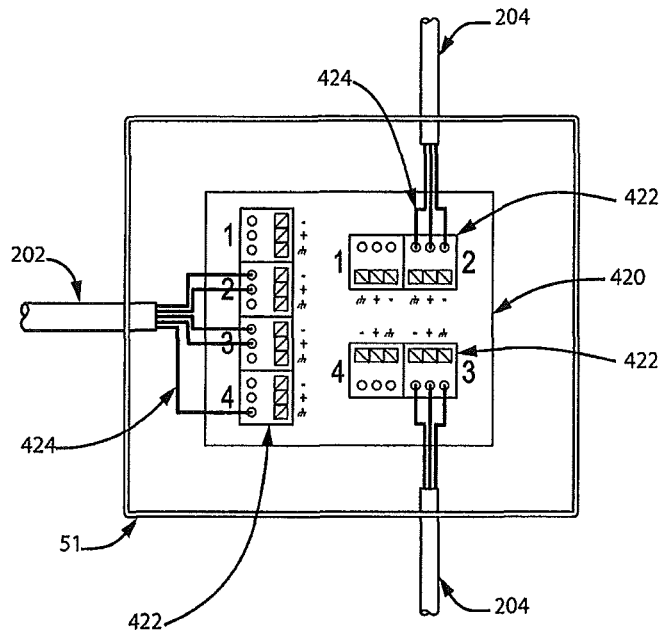


FIGURE 18a

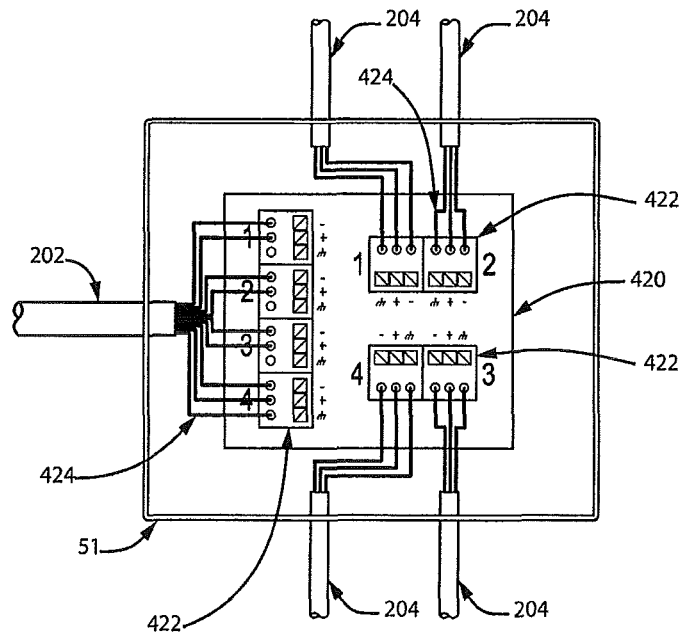


FIGURE 18b

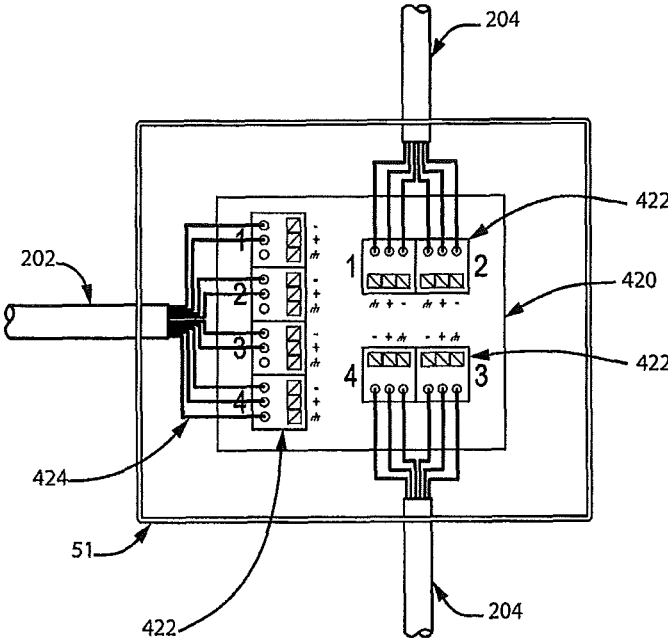


FIGURE 18c

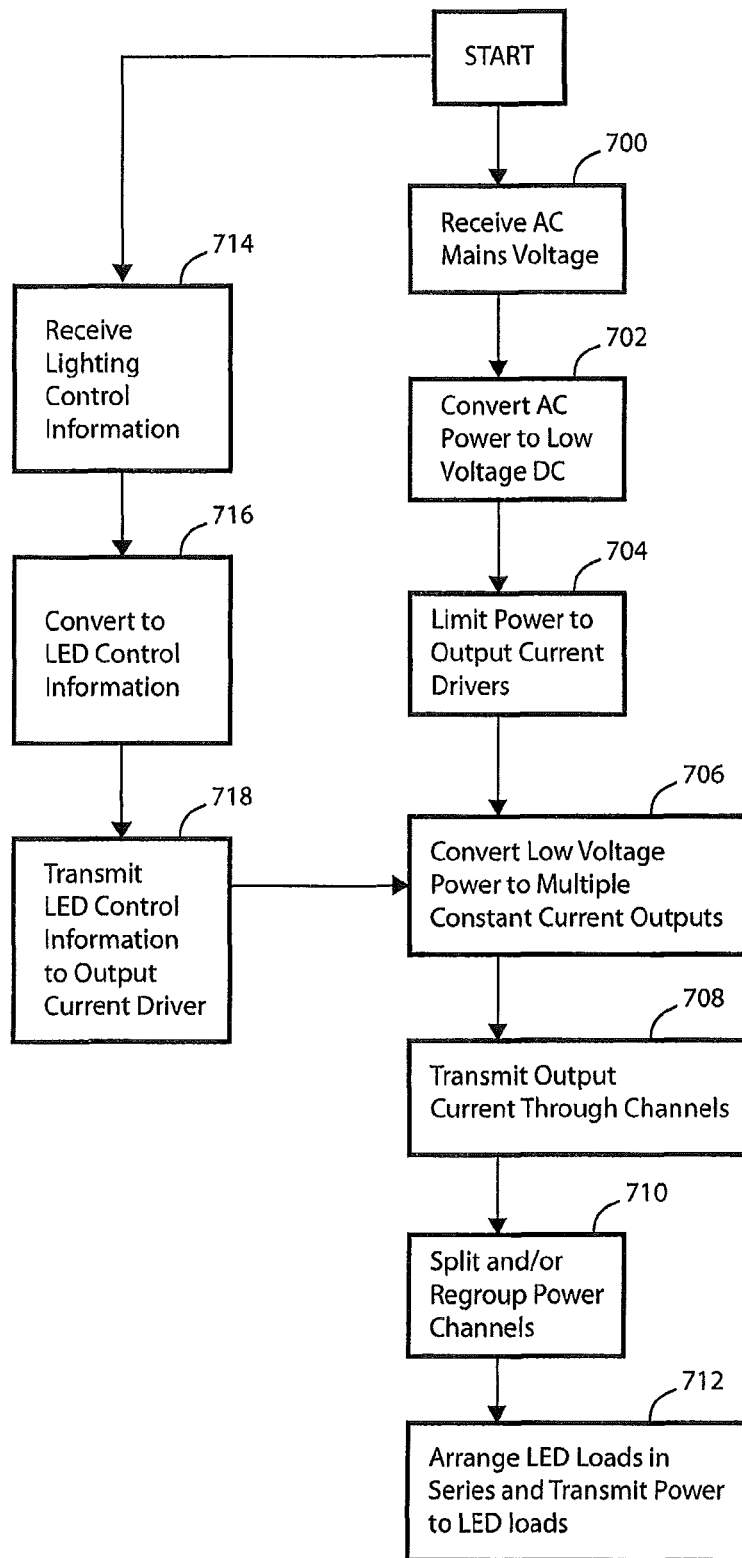


FIGURE 19

**CONFIGURABLE LED DRIVER/DIMMER  
FOR SOLID STATE LIGHTING  
APPLICATIONS**

CROSS-REFERENCE TO RELATED  
APPLICATIONS

This application is a continuation of U.S. patent application Ser. No. 13/466,509, filed May 8, 2012, which is itself a continuation-in-part of U.S. patent application Ser. No. 13/059,336, now U.S. Pat. No. 8,525,446, filed Feb. 16, 2011, which is a national stage filing under 35 U.S.C. 371 of International Patent Application PCT/CA2009/001295, filed on Sep. 17, 2009, which claims the benefit of priority of U.S. Provisional Application No. 61/097,963, filed Sep. 18, 2008, all of which are incorporated herein by reference.

BACKGROUND OF THE DISCLOSURE

With the rapid increase in light emitting diode (LED) efficiencies for high powered LEDs, the latest technologies have exceeded incandescent and halogen sources and are now starting to compete with fluorescent, mercury vapour, metal halide and sodium lighting. In addition to better energy usage, LEDs also have considerable advantages over traditional light sources such as long life, better durability and improved color generating abilities. The advancement of LED technology by various manufacturers has produced high power LEDs with various recommended drive currents such as 350 mA, 500 mA, 700 mA, 1000 mA, and 1400 mA or higher.

In recent years, controllable power sources for Solid State Lighting (SSL) applications have entered the market with integrated features. In addition, digital controllers within power sources have enabled the development of configurable options to provide a wider flexibility of solutions for Solid State Lighting applications. The ability to dim the light output of LEDs is also important to reduce energy consumption.

However, lighting companies are faced with considerable challenges in adopting SSL technology due to their unfamiliarity and lack of expertise in the driving and dimming requirements for LEDs.

Therefore, there is provided a novel LED Driver/dimmer for solid state lighting applications.

SUMMARY OF THE DISCLOSURE

With the wide variety of communication interface options and LED drive currents available for numerous architectural and entertainment Solid State Lighting applications, the configurable LED Driver/dimmer of the current disclosure includes at least one of the following advantages: configurable output current options that maximize the available power in the “front end” PFC and isolated power conversion converter stage; multiple drive current options for the multiple LED drive current options for various LEDs; elimination of a cooling fan which can present issues with audible noise and flexibility in where the power source is located, relatively low standby power consumption during “black out” lighting conditions, where “black out” refers to no load operation on the output of the dimmer/driver; multiple communication interface options; the ability to map output current sources/channels to different DMX512A addresses and the ability to configure multiple groups of output current sources/channels such that each group is controlled by one 0-10 Vdc analog signal.

Some embodiments of the present disclosure are directed to a highly efficient enclosed, configurable power source,

controllable by various external communication interfaces and a method for driving and dimming LEDs or OLEDs in lighting fixtures such as used for architectural or entertainment lighting applications. Such applications can include, but are not limited to, theater, convention centers, cruise ships, architectural building features, amusement parks, museums, and hospitality lighting in restaurants and bars.

In one aspect of the present disclosure, there is provided a configurable light emitting diode (LED) driver/dimmer for controlling a set of light fixture loads comprising: a power circuit; a primary digital controller for controlling the power circuit; a set of output current drivers, each of the set of output current drivers connected to one of the set of light fixture loads for controlling the associated light fixture load; a secondary digital controller for controlling the set of output current drivers; wherein the secondary controller transmits LED control information to control outputs of the set of output current drivers; and wherein the secondary digital controller provides digital feedback control information to the primary digital controller.

In another aspect of the present disclosure, there is provided a configurable power source that provides a plurality of output channels, such as 6, 8, 9, or 12, to color change or dim OLED or LED loads. In color changing applications, the number of available channels is a multiple of three or four to accommodate either red/green/blue LED loads or red/green/blue/amber or white LED loads. The number of output channels and available output power is increased or maximized based on the LED current requirements. The output channels are programmable by means of in circuit serial programming (ICSP) ports and calibrated by a secondary digital controller to the required output current and other parameters such as dimming frequency range.

In another embodiment, the dimming of multiple monochromatic color or white LED loads (output channels) utilizing a single 0-10 Vdc analog control signal, or the control of groups of LED loads (output channels) with an associated 0-10 Vdc analog control signal for each group is contemplated.

In another aspect of the present disclosure, the output channels are digitally controlled current sources configurable for various peak currents to power and control a variety of LEDs. The LED average current is encoded within the three variables of on-time, off-time, and period whereby no three variables are held constant. Depending on the output drive currents of the LED loads, the number of available output channels is maximized based on the maximum output power available from the power factor and isolated DC/DC converter stages.

In another aspect of the present disclosure, the configurable power source is housed in a rectangular enclosure with a monolithic aluminum extrusion and a U shaped aluminum chassis and metal end plates. Various electrical components are thermally coupled to the heatsink to increase or maximize heat transfer to the outside surface of the enclosure.

In another aspect of the present disclosure, the power source includes a digital controller to decrease power consumption of a relay coil as part of an inrush current limit circuit to reduce power consumption and improve efficiency.

In another aspect of the present disclosure, the power source utilizes an independent efficient auxiliary power source and one or more digital controllers to provide power to the communication interface. A digital controller disables various electrical circuits during black out lighting conditions to reduce no load power consumption and improve efficiency.

## BRIEF DESCRIPTION OF DRAWINGS

Embodiments of the present disclosure will now be described, by way of example only, with reference to the attached Figures, wherein:

FIG. 1 is a perspective view of a configurable LED Driver/dimmer;

FIGS. 2a and 2b are cross-sectional views of the configurable LED Driver/dimmer;

FIG. 2c is a schematic view of an internal layout of the LED Driver/dimmer;

FIG. 3 is a schematic block diagram of the configurable LED Driver/dimmer;

FIG. 4 is a schematic diagram of a prior art inrush current limit circuit;

FIG. 5 is a schematic diagram of an embodiment of a novel inrush current limit circuit for use with the configurable LED Driver/dimmer;

FIG. 6 is a schematic diagram of an embodiment of an output current driver;

FIG. 7 is a schematic diagram of another embodiment of the output current driver;

FIG. 8 is a schematic block diagram of another embodiment of the configurable LED Driver/dimmer;

FIG. 9 is a schematic diagram of a prior art multistage power source;

FIG. 10 is a schematic diagram of an embodiment of a novel multistage power source; and

FIG. 11 is a schematic diagram of a communication interface for use with the configurable LED Driver/dimmer.

FIG. 12 is a block diagram of an embodiment of a configurable LED Driver/Dimmer implemented in a low voltage DC distribution LED lighting system;

FIG. 13a is a diagram of one implementation of a break out module;

FIG. 13b is a schematic diagram of one implementation of a break out module;

FIG. 14a is a diagram of an embodiment of a series connect module;

FIG. 14b is a schematic diagram of a series connect module;

FIG. 15 is a block diagram of an embodiment of a configurable LED Driver/dimmer implemented in a low voltage DC distribution LED lighting system;

FIG. 16 is a block diagram of an embodiment of a configurable LED Driver/dimmer implemented in a low voltage DC distribution LED lighting system;

FIG. 17 is a block diagram of an embodiment of a configurable LED Driver/dimmer implemented in a low voltage DC distribution LED lighting system;

FIGS. 18a, 18b, and 18c are diagrams of embodiments of a break out module; and

FIG. 19 is a flowchart of a method of providing low voltage power to a set of LED loads.

## DETAILED DESCRIPTION OF PREFERRED EMBODIMENT

In general, the present disclosure is directed at a method and apparatus for providing a configurable LED Driver/dimmer. In the current description, the Driver/dimmer will be referred to as a dimmer, however, it will be understood that the configurable apparatus can function as either a driver, a dimmer or both. In the preferred embodiment, the dimmer is used for Solid State Lighting (SSL) applications.

Turning to FIG. 1, a perspective view of an LED dimmer is shown. The LED dimmer 10 includes a body portion 12, or

housing, which includes a monolithic aluminum heatsink 14 and a U-shaped chassis 16. Cross-sectional views of the dimmer 10 are provided in FIGS. 2a and 2b.

The dimmer 10 further includes a front plate 18 which includes a plurality of ports 20 along with a set of conductor cables 22. The front plate 18 is fastened to the body portion 12 via a set of fasteners 24, such as screws. In this embodiment, as conductor cables are used to provide output power to LED/OLED loads, the space requirement for the front plate 18 is reduced with respect to other known connection means such as terminal blocks.

Turning to FIGS. 2a and 2b, a pair of cross-sectional views of the LED dimmer are provided. FIG. 2c is a schematic view of one embodiment of an internal layout of the dimmer 10. The cross-sectional views for FIGS. 2a and 2b are taken along lines A-A and B-B of FIG. 2c respectively.

As shown, the heatsink 14 includes a receptacle portion 26 for receiving the ends of the chassis 16. In order to increase, or optimize, the heat dissipation capability of the configurable dimmer 10 at full output power, the extruded aluminum heatsink 14 includes fins 28 to increase the surface area for heat dissipation. The heatsink 14 also has a mounting platform 30 for receiving power components, or semiconductors 32, such as a bridge rectifier, MOSFETs, and/or diodes to efficiently transfer heat to the outside surface of the heatsink 14. These components will be discussed in more detail below with respect to FIG. 3. A power factor inductor and main isolation transformer pair 34 are thermally coupled to the chassis 16 by a thermally conductive, electrically isolated material 36 to further improve heat dissipation of these components. A circuit board 38 is also mounted to the heatsink 14.

Turning to FIG. 3, a block diagram of another embodiment of the LED dimmer is shown. The LED dimmer 10 includes an inrush current limit 40, or inrush current limit circuit, which receives power from an AC power source or supply 42, located external to the dimmer 10. The inrush circuit 40 is connected to a Power Factor Correction (PFC) Boost 44 which, in turn, is connected to a DC/DC Converter 46, or power conversion stage. The converter 46 is connected to an Output Voltage bus 48 which is connected to a power limiter 50. The inrush circuit 40, the PFC boost 44, the DC/DC converter 46, the Output Voltage bus 48 and the power limit 50 can be seen as a power circuit 47. Although only one power limit 50 is shown, it will be understood that there could be multiple power limits. The power limiter 50 is connected to a set of output current drivers 52, whereby each of the output current drivers 52 has an associated in-circuit serial programming (ICSP) port 54. The output of the output current drivers 52 is connected to individual Organic Light-Emitting Diodes (OLED)/Light-Emitting Diodes (LED) loads 56, further referred to as LED loads.

Along with the above-identified components and circuitry, the dimmer 10 further includes a primary digital controller 58 which is connected to an auxiliary power source 60 and an ICSP Port 62. The primary digital controller 58 is further connected, via an isolated communication bus 61 to a secondary digital controller 64, which receives power from the auxiliary power source 60. An ICSP port 68 is also connected to the secondary digital controller 64.

The auxiliary power source 60 is also used to power an interface component 70 which includes an optional address selector 72 and a communication interface 74. The communication interface 74 receives inputs from an external transmitter 76 and communicates via an isolated serial communication bus 78 with the secondary digital controller 64. A set of

isolation barriers **80** and **81** are located within the dimmer **10**, each barrier separating various components of the dimmer **10** from each other.

As will be understood, not all of the components or connections of the LED dimmer **10** required for operation are shown as they will be understood by one skilled in the art. For instance, the dimmer **10** can also include an EMI filter and a bridge rectifier. With respect to connections, it will be understood that the primary digital controller **58** can also be connected to the PFC boost **44**, the inrush current limit **40** and the DC/DC converter **46** while the secondary digital controller **64** can be connected to the output voltage bus **48**, the power limit **50** and the output current drivers **52**.

In operation, the PFC Boost **44** and DC/DC Converter **46** are controlled by the primary side digital controller **58** while the secondary digital controller **64** monitors the output voltage bus **48** and provides digital feedback control information via isolated communication bus **61** to regulate the output voltage bus **48**. Secondary digital controller **64** also translates dimming and/or color mixing information from the external transmitter **76** into LED control information for the output current drivers **52**. The primary **58** and secondary **64** digital controllers and output current drivers **52** have an associated programming port for further configuring the LED dimmer **10**.

Turning to FIG. 4, a prior art inrush current limit is shown. In order to limit inrush current limit during initial start up of the power source, one approach is to utilize a negative temperature coefficient thermistor (NTC) in parallel with a relay contact. During initial turn on of the power source, the NTC thermistor limits the inrush current. When the PFC boost stage bulk capacitor is charged, and before the PFC stage is enabled by the primary controller, the primary controller closes the relay contact to bypass the NTC thermistor. This is accomplished by applying a DC voltage via a switch across the coil in the relay.

A limitation of this approach is the power consumption of the relay coil when a continuous DC voltage is applied. This power consumption becomes significant in terms of Energy Star requirements during no load or standby operation such as when a "black out" or minimum light intensity state is received by the communication interface.

Turning to FIG. 5, an embodiment of an improved inrush current limit **40** is shown. An EMI filter **82** is connected between the power supply and the current limit **40** and is connected directly to the PFC boost **44** and via the current limit **40**. The current limit **40** includes a thermistor **84**, a relay or relay contact **86** and a switch **59**. The relay contact **86** is connected in parallel with the thermistor **84**. A typical relay coil requires greater energy to close the contacts than is required with the currently described limiter **40** to maintain the contacts in a closed position since less holding force is required. After the relay contacts have been closed by applying a voltage of 12 Vdc, modulation of the relay coil voltage can be initiated by the primary controller **58** to effectively reduce the average voltage across the coil to approximately 5 volts versus a DC voltage of 12V, reducing power consumption. It should be noted that the pulse duty cycle and frequency can also be changed to improve or optimize performance.

In one embodiment, the primary controller **58** pulses the DC voltage across the relay coil via the switch **59** to reduce power consumption.

In one embodiment, for the PFC boost **44**, as shown in FIG. 3, the PFC Boost **44** utilizes a boost topology with an input AC voltage mains range of 103 Vac to 300 Vac from the AC supply **42**. Energy stored in an inductor within the PFC boost

**44** is transferred and stored in the bulk capacitor on a cycle by cycle switching basis at a loosely regulated 430V DC over the input range. The energy is controlled in a manner that forces AC input current to be sinusoidal and in phase with the AC line voltage. By drawing current in phase with the input mains voltage **42**, the amount of harmonic currents of the fundamental AC mains frequency being introduced into the power line is reduced.

For the DC/DC converter **46** and the output voltage bus **48**, the preferred embodiment for the DC/DC converter **46** is derived from the isolated buck converter topology and comprises a galvanically isolated full bridge converter employing a primary side phase modulation technique with a secondary side current doubler rectifier circuit.

The full bridge converter parasitic circuit elements in conjunction with primary magnetization current and reflected inductor ripple current cause resonant edge switching transitions on the MOSFET switch thus forcing zero voltage across the MOSFET switching device before turn on. The result is higher efficiency due to the elimination of Coss (drain to source MOSFET Capacitance) switching losses, reduction of gate charge across the Miller capacitance and minimized power loss during switching transitions when voltage and current are changing simultaneously.

Since the output of the DC/DC converter is a tightly regulated DC bus **48**, the set of power limit circuits **50** are coupled to either one or more current drivers **52** to limit the power output of each of the output current drivers. **52** The power limit circuits **50** each include a current sensor that is monitored by the secondary controller **64**. In the event of a single component failure within the output current driver module, the power limit circuits **50** limit the energy to the loads in accordance with the UL standard 1310 Class 2. Supplementary protection to the power limit circuits can also include one or more fuses.

For the primary digital controller **44**, the controller **44** provides digital feedback control for the PFC Boost **44** and DC/DC Converter **46**. The digital feedback method for the PFC Boost **44** utilizes average current mode control with duty cycle feed forward for the inner current loop and voltage mode control for the outer control loop. The DC/DC Converter **46** utilizes voltage mode control for the digital control loop.

The primary digital controller **44** also controls the inrush current limit circuit **40**, provides primary current limit protection, and over voltage protection for the output of the PFC Boost **44**. The primary digital controller **44** also disables the PFC Boost **44** and the DC/DC Converter **46** during black out or no load conditions to reduce power dissipation.

With respect to the output current drivers **52**, configuring the required number of outputs and required output current is accomplished by populating the appropriate sections of a single printed circuit board with the appropriate electrical components and programming the output current driver via the in-circuit serial programming (ICSP) ports **54**.

Turning to FIG. 6, which is an embodiment of an output current driver, the output current driver **52** comprises a load controller **90**, a current source **92**, and current sense **94**. Although only one current driver **52** is shown, it will be understood that multiple are present as reflected in FIG. 3.

The output current driver may utilize either the dimming/color mixing techniques for LEDs described in detail in US Patent Publication No. 2007/0103086, or the techniques described in detail in International Publication WO2011/140660 which is hereby incorporated by reference.

The secondary controller **64** receives dimming or color mixing information in the form of a serial data stream from

the external transmitter 76 via the communication interface 74 and then translates the data stream into LED control information. The LED control information is transmitted to the load controller 90 in the form of instructions to generate a digital signal 98 and an analog signal 100.

The load controller 90 further comprises a signal generator 102 which transmits the digital signal 98 and the analog signal 100 to the current source 92. The digital control signal 98 and the analog signal 100 are preferably generated via a digital control algorithm and 1 Bit algorithm, respectively.

The current source 92 preferably includes ancillary circuitry for operation and comprises a buck topology power stage with hysteretic control. The current sense 94 provides a digital feedback loop for each current source 92. In the preferred embodiment, the current source 92 is a buck circuit topology however other embodiments can include topologies such as boost, buck-boost, or single ended primary inductor converter (SEPIC).

Output 104 of the current driver 52 provides a current pulse via current source 92 to the LED Load 56 whereby on times, off times, and period are not held constant.

Each output current driver 52, has an associated in-circuit serial programming (ICSP) port 54. The ICSP port 54 provides access to the load controller 90 such that firmware updates are possible to permit the configuration of the output current drivers 52. The ICSP port(s) 54 for the output current driver(s) 52 can be located on the printed circuit board assembly of the apparatus or they can be located on the outside of the enclosure.

The configuration options include, but are not limited to, such parameters as the adjustment of the frequency range of the dimming current pulse for the range of light intensity output or the set point adjustment of the peak on time output current.

For example, it might be necessary to increase the frequency range of the dimming current pulse in video recording applications where the dimming current pulse frequency can be programmed for a 2000 Hz to 2500 Hz range. This would negate a visible beat frequency effect that would otherwise be noticeable on recorded video. There can be other applications where the adjustment of the dimming current frequency range is required to reduce EMI effects.

The default peak output current set point is programmed via the ICSP port 54 which provides flexibility in the number of possible LEDs types that can be driven and is typically dependent on the recommended operating current specified by the manufacturer such as 350 mA, 700 mA, etc. The set point current is preferably programmed to within 4% of the manufacturer's specification. The peak output current set point can then be precisely calibrated to within typically 1% via the secondary controller 64 during factory calibration.

An alternate embodiment of an output current driver 52 is shown in FIG. 7. In this embodiment, the output current driver 52 comprises a load controller 110 including a signal generator 112. A current source 114 and a current sense 116 are located within an apparatus 118, such as a light fixture. The light fixture 118 also includes the LED load 56. After receiving the LED control information from the secondary controller 64, the signal generator 112 provides a data signal to the light fixture 118 to operate the LED load 56 via the current source 114 and the current sense 116. This is also schematically shown in FIG. 8.

FIG. 8 is a schematic diagram of an alternate embodiment of a configurable LED dimmer 10. As shown, individual current sources 114 and current senses 116 are mounted in the light fixture containing the LED load 56, and power and data signals are provided to each output current source 114 by the

multi conductor cable 22. In this embodiment, the current sources 114 are configured to regulate to a predetermined peak current. The load controller 110 transmits the data signal containing the output current information encoded within the three variables of on time, off time, and period whereby no three variables are held constant.

Turning to FIG. 9, a known application of internal auxiliary power requirements in a multistage power source is shown and illustrates how auxiliary power is provided to the various blocks of a multistage power source. P1, P2 . . . P10 represents the various power and voltage transfer requirements for each functional block. For simplicity, the various voltage regulator and filter circuits required for each of the power outputs have been omitted.

In operation, the bridge rectifier converts the AC mains voltage P1 to a rectified voltage P2. A portion of power P6 from the output of the bridge rectifier P2 is supplied to the start up circuit. The start up circuit is comprised of a power transistor or MOSFET and is intended to provide power P8 to the PFC analog controller for only a short duration of a few seconds. Power P8 to the PFC analog controller will allow the PFC Boost stage to begin switching, providing power P10 to the DC/DC controller, and power P3 to the DC/DC converter power stage. Since the start up circuit dissipates an excessive amount of power, it is turned off by the voltage component of P7 supplied by the PFC boost stage. The P7 power is permitted to 'flow through' the start up circuit to continue to supply power P8 to the PFC analog controller.

The output of the DC/DC Analog Converter provides power P4 to the multi output voltage bus, power P9 to the Communication Interface, and the Output Current Drivers by means of P5.

In this implementation, the PFC and DC/DC Controllers are typically analog controllers. It should be noted that in this implementation, in order for the communication interface to continually receive dimming information from an external transmitter, the DC/DC Converter stage must remain turned on. Similarly, in order for the DC/DC converter stage to provide power P4, the PFC Boost stage must remain on.

In a 'black out' state, the communication interface may receive a "0" intensity value out of 255 intensity levels for all of its output current drivers via the external transmitter such as a DMX512A or RDM controller interface, or it may receive an analog voltage of between 0 to 1V via a controller compliant to ESTA E1.3-2001 or IEC60929 as one of many communication interface options. In this 'black out' state, the DC/DC Converter and PFC Boost Stage continue to dissipate an excessive amount of power.

FIG. 10 is directed at an embodiment of an improved internal auxiliary power distribution in a multistage power source for providing auxiliary power to the various blocks of a multistage power source. For simplicity, the various voltage regulator and filter circuits required for each of the power outputs have been omitted. The transfer of power from AC mains to the Output Current Drivers (52) is unchanged. This embodiment shows an improved implementation of an independent auxiliary power source providing power to the primary digital controller 58, the secondary digital controller 64, and the communication interface 74. The auxiliary power source 60 comprises an efficient isolated flyback topology with a wide input voltage range and pulse skipping capability to minimize its power dissipation at light loads or no load conditions. In other words power can be provided to the primary digital controller 58, the secondary digital controller 64, and the communication interface 74 via an auxiliary fly-back converter.

A 'black out' state received from the external transmitter **76** to the communication interface **74** is communicated to the secondary digital controller **64** and then the primary digital controller **58** via the isolated communication bus **66**. The primary digital controller **58** then disables the PFC Boost Stage **44** and DC/DC Converter Stage **46** reducing overall power dissipation of the configurable power source.

It should be noted that even when the PFC Boost **44** is disabled, power can continue to be supplied to the auxiliary power source **60** since rectified voltage from a bridge rectifier **120** can continue to peak charge the PFC boost **44** through an internal capacitor via the boost diode.

The auxiliary power source **60** continues to provide power to the primary digital controller **58**, secondary digital controller **64**, and communication interface **74** in order to be able to 'listen' for or sense a change in light intensity state that may be communicated by the external transmitter **76**.

Alternate embodiments can include additional ancillary circuits that can be powered by the independent auxiliary power source that can be disabled by a controller to reduce over all power dissipation in black out or no load conditions.

With respect to the communication interface **74**, the communication interface **74** comprises a removable and interchangeable module with each module adapted for different control options such as DMX512A, RDM, 0-10 Vdc and Zigbee. Operation of the communication interface with such control options will be understood by one skilled in the art.

The communication interface module receives lighting control information via the external transmitter **76** and converts the various protocols into a serial data stream. It then transmits this data by means of a Universal Asynchronous Receiver Transmitter (UART) to the secondary digital controller **64** via the isolated serial communication bus **78**. The isolated serial communication bus **78** is comprised of an isolation barrier **82** to "float" the communication interface and prevent ground loops.

Turning to FIG. **11**, an embodiment of the communication interface is shown. In this embodiment, an analog interface module adapted for 0-10 Vdc IEC60929 or ESTA E1.3-2001 dimming methods as the communication interface **74** is shown. The analog interface module can be adapted to receive one or more analog control voltages from one or more associated external transmitters **76**. The external transmitter **76** is preferably an electronic resistor or potentiometer that sinks current from the current source located on the analog interface module and outputs a variable 0-10 Vdc control voltage proportional to the required light intensity.

Individual external transmitters **76** supply signals to various controls **122** within the communication interface **74**. Each control **122** is representative of an area or group of LED loads **56**. Within each control **122** is a current source **124**, a voltage sensor **126** and a differential amplifier **128**. The differential amplifier **128** senses a voltage across the voltage sensor **126** and converts this into a correlated voltage ( $V_m, V_1, V_2 \dots V_n$ ) supplied to a controller **130**. The controller **130** converts this analog voltage into a serial data stream for transmission to the secondary digital controller **64** via the isolated serial communication bus **78**.

The communication interface **74** can be configured to have one 0-10 Vdc control voltage simultaneously control via the secondary digital controller **64**, all output current drivers **52** and LED loads **56**. This application is beneficial in monochromatic color or white lighting applications since only one control signal and associated wiring is required to control multiple light loads.

Furthermore, the communication interface **74** can be adapted to have one or more 0-10 Vdc signal voltages control

an associated group of one or more output current drivers in zonal dimming applications. An optional master 0-10 Vdc signal voltage could be able to simultaneously control all of the individual groups of output current drivers.

In applications not requiring the complexity of DMX512A, these analog control options are beneficial in red/green/blue or red/green/blue/amber color changing or monochromatic color or white light applications whereby the addressability and corresponding control of individual LED light loads is not required.

With respect to the secondary digital controller **64**, the controller **64** monitors and transmits digital output voltage bus information (feedback loop) via the two way isolated serial communication bus **78**, decodes the serial data from the communication interface **74**, and transmits control information to the output current drivers **52**. As a protection feature, the secondary controller **64** also monitors output currents from the power limit stages **50** supplied to the output current drivers **52**.

The secondary digital controller **64** includes the ICSP port **68** to program and calibrate the output voltage bus **48** to the required voltage. In DMX512A applications, the ICSP port **68** also allows for the mapping of each of the output channels to a wide variety of addresses. Similarly, in 0-10 Vdc analog control applications, the secondary digital controller ICSP port allows for the mapping of output channels into groups for each associated 0-10 Vdc control signal.

This mapping capability is particularly useful in addressable-networked lighting systems using a DMX512A control protocol where different lighting zones are required to respond to different illumination information. For example, in a 12 channel output configuration, the first 6 channels could be mapped to the DMX base address of the power source (i.e. DMX01) and the last 6 channels could be mapped to DMX address+1 (i.e. DMX02).

This mapping capability is also useful in zone dimming applications using 0-10 Vdc analog controls as the communication interface. For example, a 12 channel output LED dimmer configuration can have 7 output channels grouped for a first associated 0-10 Vdc signal, the next 3 channels can be grouped to a second associated 0-10 Vdc control signal, and the last 2 channels can be grouped to a third associated control signal.

Turning to FIG. **12**, a block diagram of an embodiment of a configurable LED dimmer implemented in a low voltage DC distribution LED lighting system is shown. For reference, a low voltage DC distribution system is defined as a system where all power from the Configurable LED dimmer provided to the LED loads meets Class 2 requirements as defined in UL1310 Class 2 Power Units and NEC (National Electrical Code) Article 725 for Class 2 Power Limited Circuits.

The low voltage DC distribution LED lighting system **200** includes a LED dimmer **10**, which receives power from an AC supply **42**, and is connected to at least one breakout module **51** which in turn is connected to a set of series connect modules **53** by means of communications cabling **204**. Similarly, the series connect modules are connected to individual Organic Light Emitting Diodes (OLED)/Light Emitting Diodes (LED) loads **56**, or LED loads, via communications cabling **206**.

Referring to the LED dimmer **10**, an example of which was previously described with respect to FIG. **3**, the power circuit **47** comprises a DC to DC converter **46** and a power limit or power limit function **50**. The DC to DC power converter may be an isolated full bridge converter or an isolated half bridge LLC resonant converter. Although only one power limit is shown, there may be multiple power limits whereby each

## 11

power limit is connected to a set of output current drivers **52** to limit the power output supplied to the set of output current drivers.

The power limit **50** may be a fuse, a resettable fuse or an electronic circuit that includes a current sense. The power limit may also include any ancillary circuits or components that limit power to the output current drivers or shut off the LED dimmer **10** or both.

The power limit circuit **50** limits the amount of power supplied to a set of output current drivers under normal operation of each. Similarly, in the event of a single component failure within any output current driver **52** within the set, the power limit **50** may also limit the power to the set of current drivers **52**. In one embodiment, the power is limited to less than 100 watts in accordance with UL standard 1310, Class 2 Power Units. The set of output current drivers **52** includes a quantity of output drivers such that the total output power of the set of output drivers does not exceed 100 watts under normal operating conditions.

Each set of output current drivers **52** is connected to the breakout module **51** by means of communications cabling **202**.

With respect to the communication interface **74**, the communication interface **74** comprises a removable and interchangeable module with each module adapted for different control options such as DMX512A, RDM (Remote Device Management), 0-10 Vdc analog control, Zigbee, and DALI (Digital Addressable Lighting Interface). DALI requirements are defined in standards IEC 62386-101; System General Requirements, IEC 62386-102; General Requirements-Control Gear, and IEC 62386-207; Particular Requirements for Control Gear-LED Modules. The communication interface module receives lighting control information via the external transmitter **76** and converts the information regardless of the various protocols into a serial data stream for use by the dimmer **10**.

As shown in FIG. **12**, the output current drivers or the set of output current drivers **52** are connected via the cabling **202**, **204**, **206**, directly or indirectly, to breakout modules **51**, and series connect modules **53** to the LED loads **56**, and such connectivity may be referred to as individual channels or a set of channels respectively. In one embodiment, the cabling, communications cabling has an overall insulation sheath and may be shielded or unshielded. It is available in either insulated multi-conductor or insulated twisted pair stranded wiring and the wire gauge is typically 18 AWG. Alternate cabling options may also include 20 AWG or 22 AWG and type PLTC (power limited tray cable), CL2 (Class 2) or CL3 (Class 3) as permitted in Article 725 of the NEC.

The LED dimmer **10**, via the output current drivers **52**, connects into at least one breakout module **51** via the cabling **202** as a set of output channels. The breakout module **51** then splits the set of channels into individual channels or into a predetermined number of channels depending on the required configuration of the lighting system.

For example, a connection from the LED dimmer **10** may have four (4) individual cables **202** connected to the breakout module **51**, each cable further comprising six (6) conductors or three (3) twisted pairs for connection (positive and negative) of 3 channels per cable. This represents a feed in of 12 channels in 4 groups of 3 into the breakout module **51**. The breakout module **51** regroups the channels into groups of 2 for connection to the series connect module **53** using communications cabling **204** with 4 conductors or 2 twisted pairs of conductors. This may be seen as the output of the breakout module **51** and represents a feed out of 12 channels with 6 groups of 2 channels. In other embodiments, there are a

## 12

number of other feed in cable and feed out cable combinations possible for the break out module **51**.

The series connect modules **53** connect multiple LED loads **56**, in series for every channel. In one embodiment, the series connect module **53** receives a four (4) conductor cable **204** feed in (representing 2 channels) and then electrically connects, via cabling **206**, at least 2 LED loads **56** in series for each channel. The cabling **204** is typically a 4 conductor or 2 twisted pair configuration.

A number of different LED load **56** configurations are possible. Typically, the LED loads **56** are part of a light fixture and comprise one or more LED arrays or a group of individual LEDs. The LEDs are typically mounted on a suitable heat sink and installed in various types of housings. Such housings or configurations may include recessed cans with an associated electrical junction box, pendants, rail systems or track systems. A rail fixture includes fixed location LED sources mounted on a linear rail and a track system includes moveable LED light sources mounted on a track system. In one embodiment, the LED loads **56** may have a lumen output of up to 1200 lumens. It is of course possible to have loads with a higher or lower lumen output.

The LED dimmer **10** may be remotely mounted from the LED loads and in some cases may be up to 200 feet from the LED loads. Alternate distances between the LED dimmer and the LED load are also possible and dependent on the forward voltage drops in the LED loads and the voltage drops dependent on the wire gauge of the communications cabling.

FIG. **13a** is a diagram of one implementation of the break out module **51**. The break out module **51** comprises two printed circuit board (PCB) assemblies **420** with modular power connectors **422** arranged as terminal blocks to provide an electrical connection between the feed in channels and the feed out channels which are seen as cabling **204**.

The break out module **51** regroups or separates the feed in channels with a different grouping of feed out channels. It may also provide visual means for an installer to easily organize and keep track of the grouping and arrangement of channels during installation.

In this embodiment, the feed in includes 6 channels of 3 cables **202** with each cable providing 2 channels. The feed out comprises 6 channels of 6 cables **204** with each cable providing one channel. The cabling includes an optional shield wire **424** for connection to the system ground. Other implementations are contemplated.

The power connectors **422** preferably include apparatuses to enable a method of quickly inserting or releasing the cabling by means of a tool or push button on the connector(s). The connectors **422** may be either cage clamp or push wire type connectors.

FIG. **13b** shows a schematic representation of the break out module **51** of FIG. **13a**.

With reference to FIG. **14a**, a diagram of an embodiment of a series connect module **53** is shown. The series connect module **53** contains at least one PCB assembly **502** with feed in modular power connectors **512** for electrical connection of the feed in cable seen as cabling **204**. The feed in cable **204** comprises 4 conductors or 2 pairs representing 2 channels (CH1 and CH2) with an optional shield connection **504**. The feed out modular connectors **508** are connected in series on the PCB assembly **502** in order to connect the LED loads **56** in series via feed out cables **206** as shown schematically in FIG. **14b**. The feed out cables **206** may be comprised of one pair of two conductors and an optional shield connection **510** to the system ground.

The power connectors **508**, **512**, preferably include apparatuses to enable a method of quickly inserting or releasing

the cabling by means of a tool or push button on the connector. The connectors may be either cage clamp or push wire type connectors.

It is understood that many other embodiments are possible for the series connect module **53** whereby there may be multiple feed in cables where each feed in cable may comprise any number of channels. The series connection of LED loads **56** may also include any number greater than two.

Turning to FIG. **15**, a block diagram of another embodiment of a configurable dimmer implemented in a low voltage DC distribution LED lighting system is shown. In this embodiment, the series connect module is excluded from the low voltage DC distribution LED lighting system **600**. The series connect means is completed within an electrical junction box **602** associated with each LED load **56**. As before, the system **600** includes a dimmer **10** connected to a break out module **51** via cabling **202** and **204**. The typical number of LED loads connected in series is two, and twist-on wire connectors are used to make the electrical series connections between the LED loads **56** and the cable **206**.

With reference to FIG. **16**, a block diagram of an alternate embodiment of a configurable dimmer implemented in a low voltage DC distribution LED lighting system is shown. This embodiment shows the break out module **51** as an integral part of the LED dimmer **10** within the system **650**.

Turning to FIG. **17**, a block diagram of a further embodiment of a configurable dimmer implemented in a low voltage DC distribution LED lighting system is shown. In this embodiment of the system **680**, the break out module **51** and the series connect modules **53** are integrated into a single enclosure or module **682**. The electrical connection **684** between the break out module **51** and the series connect modules **53** may be accomplished by means such as cabling, hook up wire, or PCB (printed circuit board) copper tracks.

Turning to FIGS. **18a**, **18b**, and **18c**, alternate embodiments of the break out module are shown. All configurations include modular power connectors **422** arranged as terminal blocks and mounted on a PCB **420** to provide an electrical connection between the feed in channels and the feed out channels. The connectors include apparatus to allow for a quick means to insert or release the wiring by means of a tool or push button on the connector.

In FIG. **18a** one feed in cable **202**, comprises conductors for 2 channels and an optional shield wire connection **424**. The feed out includes 2 cables **204** each with 2 conductors for one channel and an optional shield wire connection **424**.

In FIG. **18b**, one feed in cable **202**, comprises conductors for 4 channels and an optional shield wire connection. The feed out includes 4 cables **204**, each with 2 conductors representing one channel and an optional shield wire connection **424**.

In FIG. **18c**, one feed in cable **202**, comprises conductors for 4 channels and an optional shield wire connection. The feed out includes 2 cables **204**, each with 4 conductors representing two channels and an optional shield wire connection **424**.

Turning to FIG. **19**, a method of providing low voltage power to a set of LED loads is shown. In operation, an AC voltage **700** is applied to the power circuit of the LED dimmer and converted to low voltage DC **702**. The low voltage DC bus is then power limited **704** by at least one power limit circuit or like components to less than 100 watts in accordance with UL1310 Class 2 characteristics.

The low voltage DC power is the converted to multiple constant current outputs **706** via the power limit such as by means of the output current drivers which generate a constant peak current for each output channel.

The power is then transmitted in the form of low voltage and pulsed current on each channel **708** to the breakout module via the cabling connecting the dimmer and the breakout module. The breakout module splits or regroups, or both, the power channels **710** and transmits the power to the series connect modules. The series connect module provides power for each channel to multiple LED loads connected in series **712** by means of cabling.

FIG. **19** also shows a method for control of the LED dimmer. Lighting control information such as dimming intensity levels in the form of various protocols is transmitted by an external transmitter into the communication interface **714** of the LED dimmer. The various protocols are converted to a data stream, preferably serial, and transmitted to the secondary digital controller which in turn translates the data stream into LED control information **716**.

The LED control information, which in one embodiment is in the form of a digital and analog signal, is transmitted to the controllers of the associated output current drivers **718**.

The output current drivers generate power as pulsed current at low voltages based on the dimming intensity levels received as lighting control information for each channel of the low voltage lighting system.

Embodiments of the disclosure can be represented as a software product stored in a machine-readable medium (also referred to as a computer-readable medium, a processor-readable medium, or a computer usable medium having a computer-readable program code embodied therein). The machine-readable medium can be any suitable tangible medium, including magnetic, optical, or electrical storage medium including a diskette, compact disk read only memory (CD-ROM), memory device (volatile or non-volatile), or similar storage mechanism. The machine-readable medium can contain various sets of instructions, code sequences, configuration information, or other data, which, when executed, cause a processor to perform steps in a method according to an embodiment of the disclosure. Those of ordinary skill in the art will appreciate that other instructions and operations necessary to implement the described disclosure can also be stored on the machine-readable medium. Software running from the machine-readable medium can interface with circuitry to perform the described tasks.

The above-described embodiments of the disclosure are intended to be examples only. Alterations, modifications and variations can be effected to the particular embodiments by those of skill in the art without departing from the scope of the disclosure, which is defined solely by the claims appended hereto.

What is claimed is:

1. A method of configuring and powering a set of light fixture loads in a light emitting diode (LED) low voltage distribution system comprising:

- converting power for powering the set of light fixture loads;
- limiting converted power to multiple current outputs supplied to the set of light fixture loads;
- splitting or regrouping the multiple current outputs prior to delivery of the multiple current outputs to the set of light fixture loads;
- receiving a protocol from an external transmitter;
- converting the protocol into a data stream; and
- translating the data stream to LED control information; wherein the LED control information is used for controlling the limited power.

2. The method of claim 1 wherein limiting converted power comprises:

## 15

limiting converted power to the multiple current outputs being supplied to a set of Organic LED (OLED) or LED light fixture loads.

3. The method of claim 1 wherein limiting converted power comprises:

limiting power to a calibrated value when an event failure occurs.

4. The method of claim 3 wherein limiting power to a calibrated value comprises:

limiting power to less than 100 watts.

5. The method of claim 1 wherein converting power for powering comprises:

receiving power via a set of input channels.

6. The method of claim 5 further comprising delivering power to the set of light fixture loads via a set of output channels.

7. The method of claim 6 wherein splitting or regrouping comprises:

splitting the set of input channels into the set of output channels.

8. The method of claim 6 wherein splitting or regrouping comprises:

regrouping the set of output channels from the set of input channels.

9. The method of claim 1 wherein converting power comprises:

receiving an alternating current (AC) power;

converting the AC power to a low voltage direct current (DC) power; and

converting the low voltage DC power to the multiple current outputs.

10. The method of claim 1 further comprising, after receiving the protocol:

adjusting at least one of the multiple current outputs in accordance with the protocol; and

delivering the adjusted at least one current output to an associated light fixture load.

11. A method of configuring and powering a set of light fixture loads in a light emitting diode (LED) low voltage distribution system comprising:

converting power for powering the set of light fixture loads;

limiting converted power to multiple current outputs supplied to the set of light fixture loads;

splitting or regrouping the multiple current outputs prior to delivery of the multiple current outputs to the set of light fixture loads;

## 16

receiving a data stream from an external transmitter; and translating the data stream to LED control information; wherein the LED control information is used for controlling the limited power.

12. The method of claim 11 wherein limiting converted power comprises:

limiting converted power to the multiple current outputs being supplied to a set of Organic LED (OLED) or LED light fixture loads.

13. The method of claim 11 wherein limiting converted power comprises:

limiting power to a calibrated value when an event failure occurs.

14. The method of claim 13 wherein limiting power to a calibrated value comprises:

limiting power to less than 100 watts.

15. The method of claim 11 wherein converting power for powering comprises:

receiving power via a set of input channels.

16. The method of claim 15 further comprising delivering power to the set of light fixture loads via a set of output channels.

17. The method of claim 16 wherein splitting or regrouping comprises:

splitting the set of input channels into the set of output channels.

18. The method of claim 16 wherein splitting or regrouping comprises:

regrouping the set of output channels from the set of input channels.

19. The method of claim 11 herein converting power comprises:

receiving an alternating current (AC) power;

converting the AC power to a low voltage direct current (DC) power; and

converting the low voltage DC power to the multiple current outputs.

20. The method of claim 11 further comprising, after receiving the data stream:

adjusting at least one of the multiple current outputs in accordance with the data stream; and

delivering the adjusted at least one current output to the associated light fixture.

\* \* \* \* \*