



US008766544B2

(12) **United States Patent**
Velazquez

(10) **Patent No.:** **US 8,766,544 B2**
(45) **Date of Patent:** **Jul. 1, 2014**

(54) **WIRELESS CONTROLLER FOR LIGHTING SYSTEM**

(75) Inventor: **Toby Velazquez**, Yorba Linda, CA (US)

(73) Assignee: **American DJ Supply, Inc.**, Los Angeles, CA (US)

(*) Notice: Subject to any disclaimer, the term of this patent is extended or adjusted under 35 U.S.C. 154(b) by 145 days.

(21) Appl. No.: **13/394,138**

(22) PCT Filed: **Sep. 3, 2010**

(86) PCT No.: **PCT/US2010/047911**

§ 371 (c)(1),
(2), (4) Date: **Mar. 2, 2012**

(87) PCT Pub. No.: **WO2011/029066**

PCT Pub. Date: **Mar. 10, 2011**

(65) **Prior Publication Data**

US 2012/0181935 A1 Jul. 19, 2012

Related U.S. Application Data

(60) Provisional application No. 61/240,070, filed on Sep. 4, 2009.

(51) **Int. Cl.**
H05B 37/02 (2006.01)

(52) **U.S. Cl.**
USPC **315/132**; 315/292; 315/152

(58) **Field of Classification Search**
USPC 315/132, 152, 293, 297, 130, 312
See application file for complete search history.

(56) **References Cited**

U.S. PATENT DOCUMENTS

6,761,470 B2	7/2004	Sid	
7,277,024 B2	10/2007	Chen	
7,405,523 B2	7/2008	Wilhelm et al.	
2006/0187083 A1*	8/2006	Lee et al.	340/825.69
2010/0045205 A1*	2/2010	Bergman et al.	315/294
2010/0327766 A1*	12/2010	Recker et al.	315/291
2011/0187271 A1*	8/2011	Bouws et al.	315/130
2012/0098432 A1*	4/2012	Recker et al.	315/86
2012/0223646 A1*	9/2012	Recker et al.	315/152

OTHER PUBLICATIONS

International Search Report and Written Opinion dated Nov. 15, 2010 for International Application No. PCT/ US2010/047911, pp. 1-12, United States Patent and Trademark Office, Virginia, United States. International Preliminary Report on Patentability and Written Opinion dated Mar. 15, 2012 for International Application No. PCT/ US2010/047911 from International Bureau of WIPO, pp. 1-7, Geneva, Switzerland.

* cited by examiner

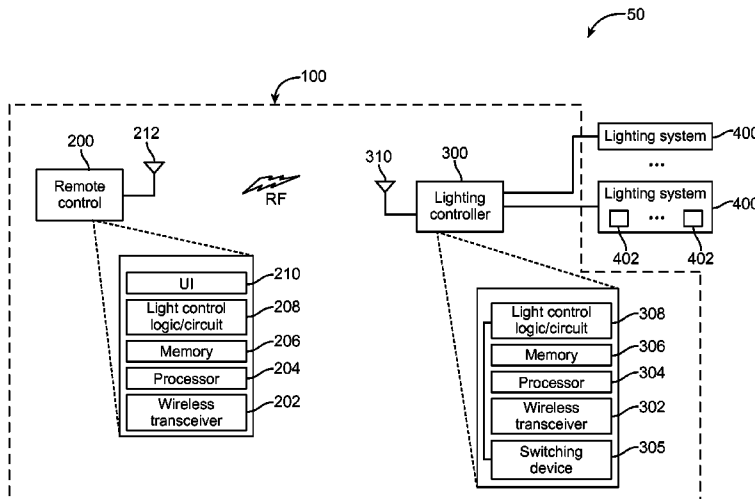
Primary Examiner — Don Le

(74) *Attorney, Agent, or Firm* — Kenneth L. Sherman, Esq.; Sherman & Zarrabian LLP

(57) **ABSTRACT**

The present invention provides a system and method for controlling at least one lighting system by means of a portable wireless remote control device. The system comprises a portable wireless remote control device, a lighting system controller, and at least one lighting system coupled to the lighting system controller. Each lighting system comprises one or more lighting modules (e.g., light emitting diodes (LEDs), incandescent bulbs, etc.). The portable wireless remote control device comprises a wireless transceiver, processor, memory, light control logic, user interface (UI), and an antenna. The lighting system controller comprises a wireless transceiver, processor, memory, light control logic, and an antenna. Each lighting system coupled (e.g., wired) to the lighting system controller may be wirelessly controlled via the remote control device.

37 Claims, 7 Drawing Sheets



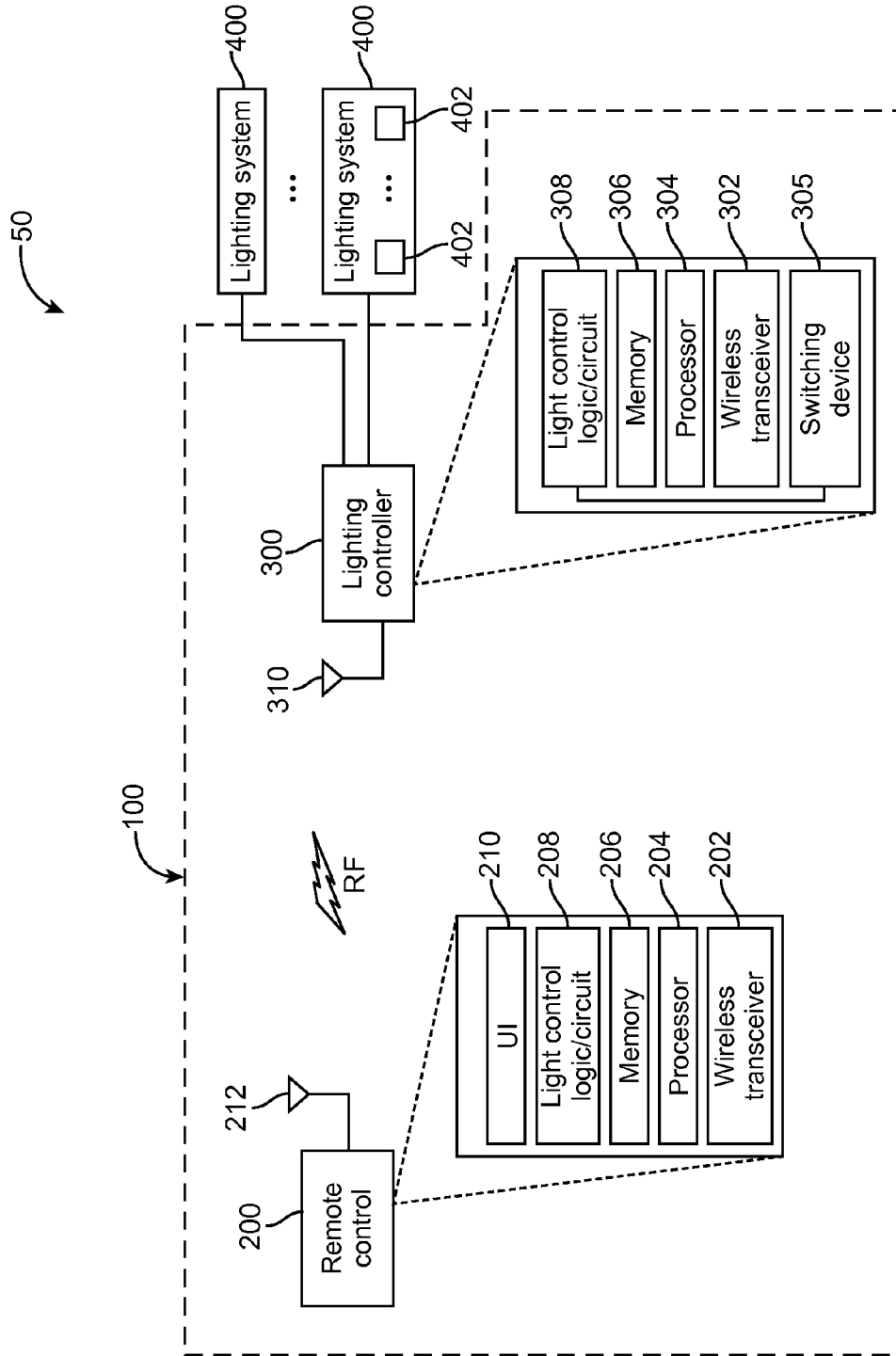


FIG. 1

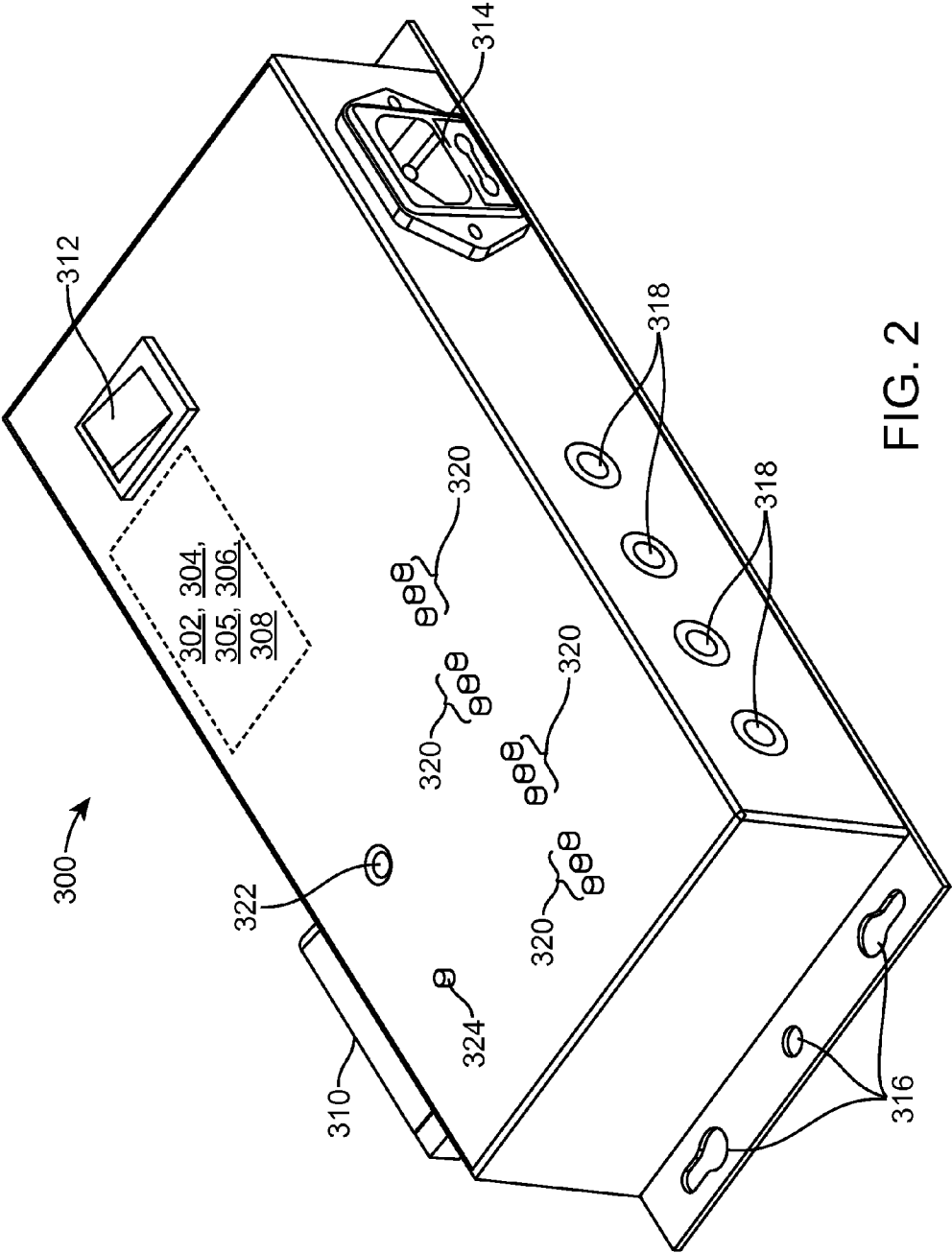


FIG. 2

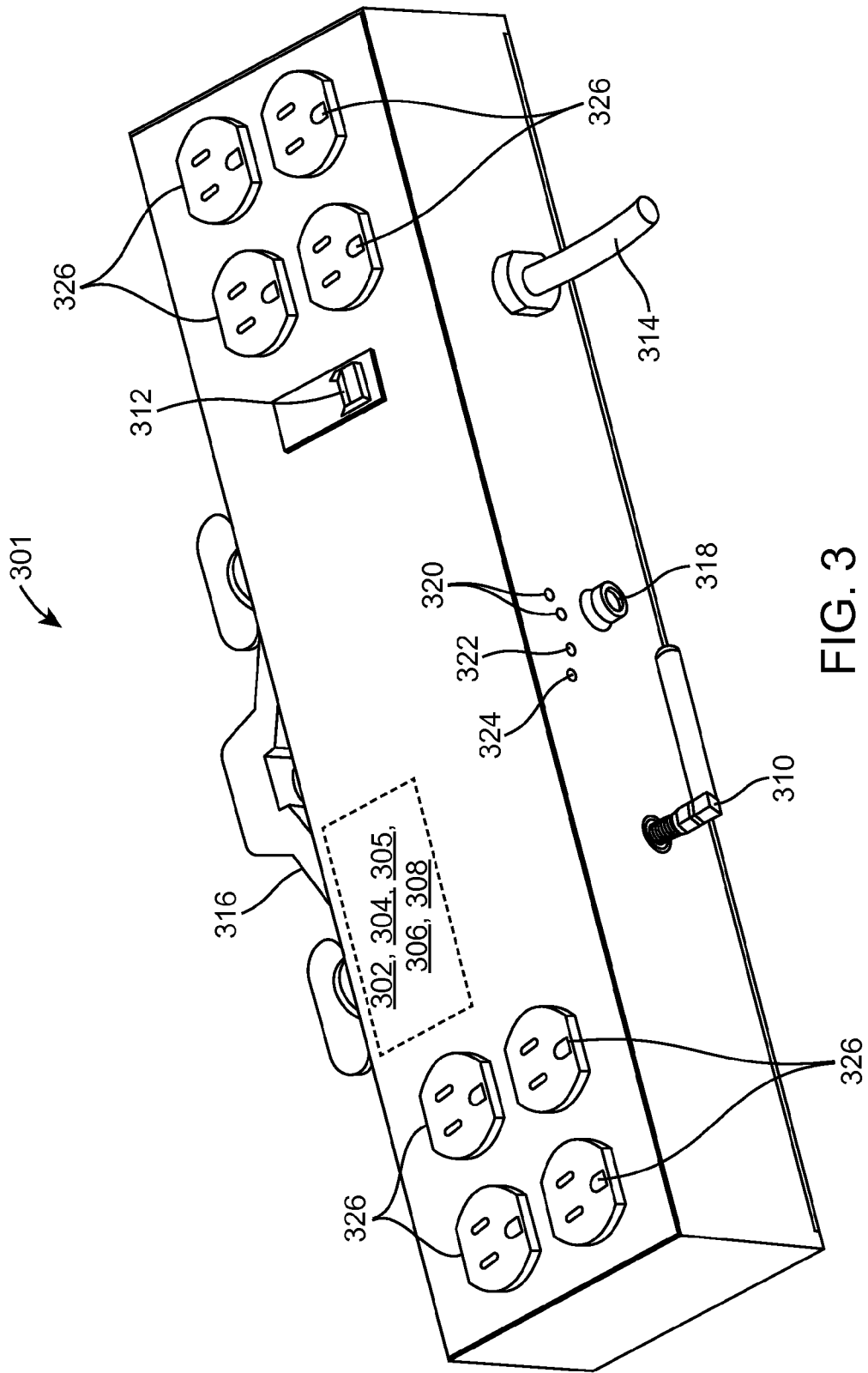


FIG. 3

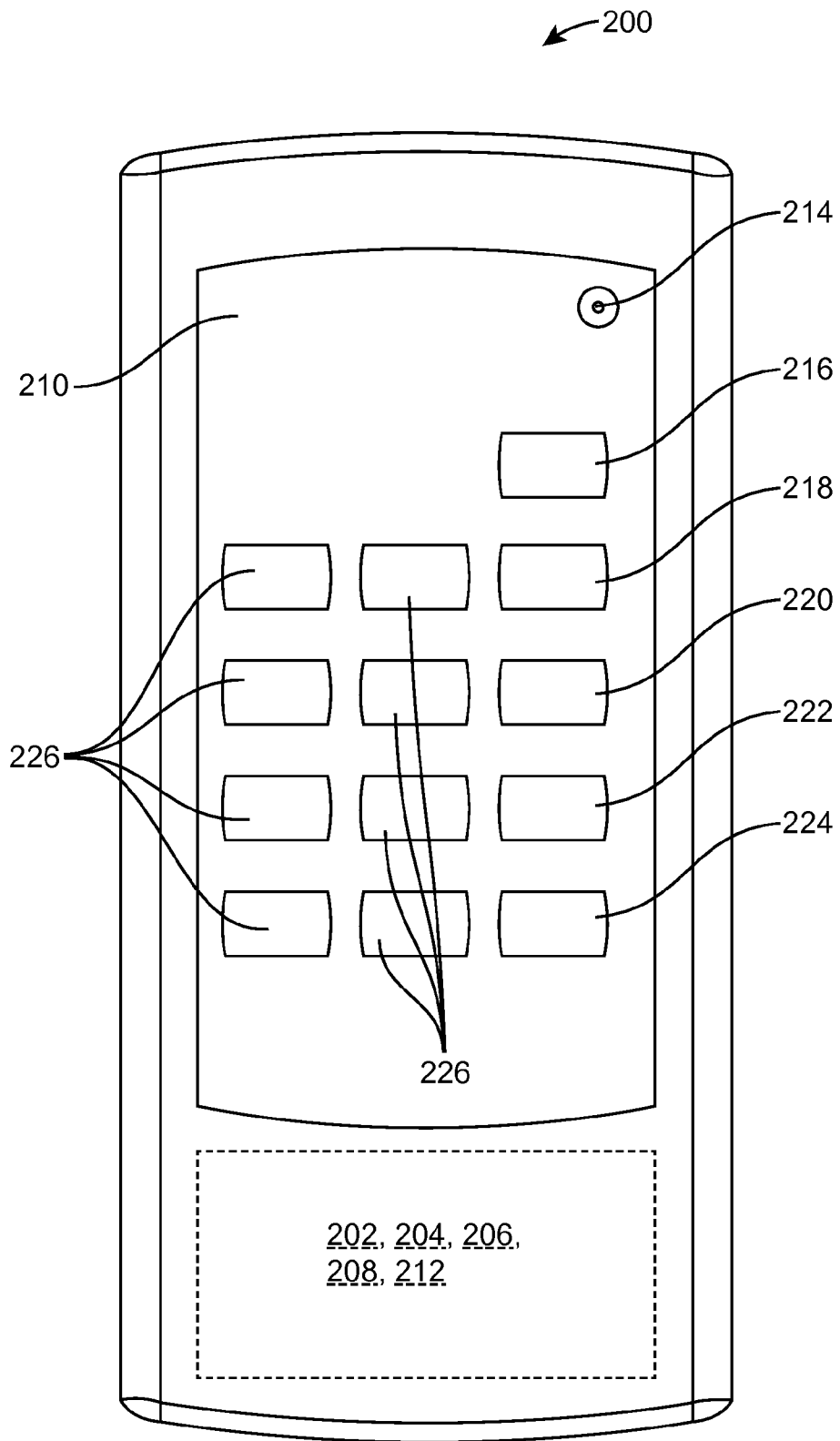


FIG. 4

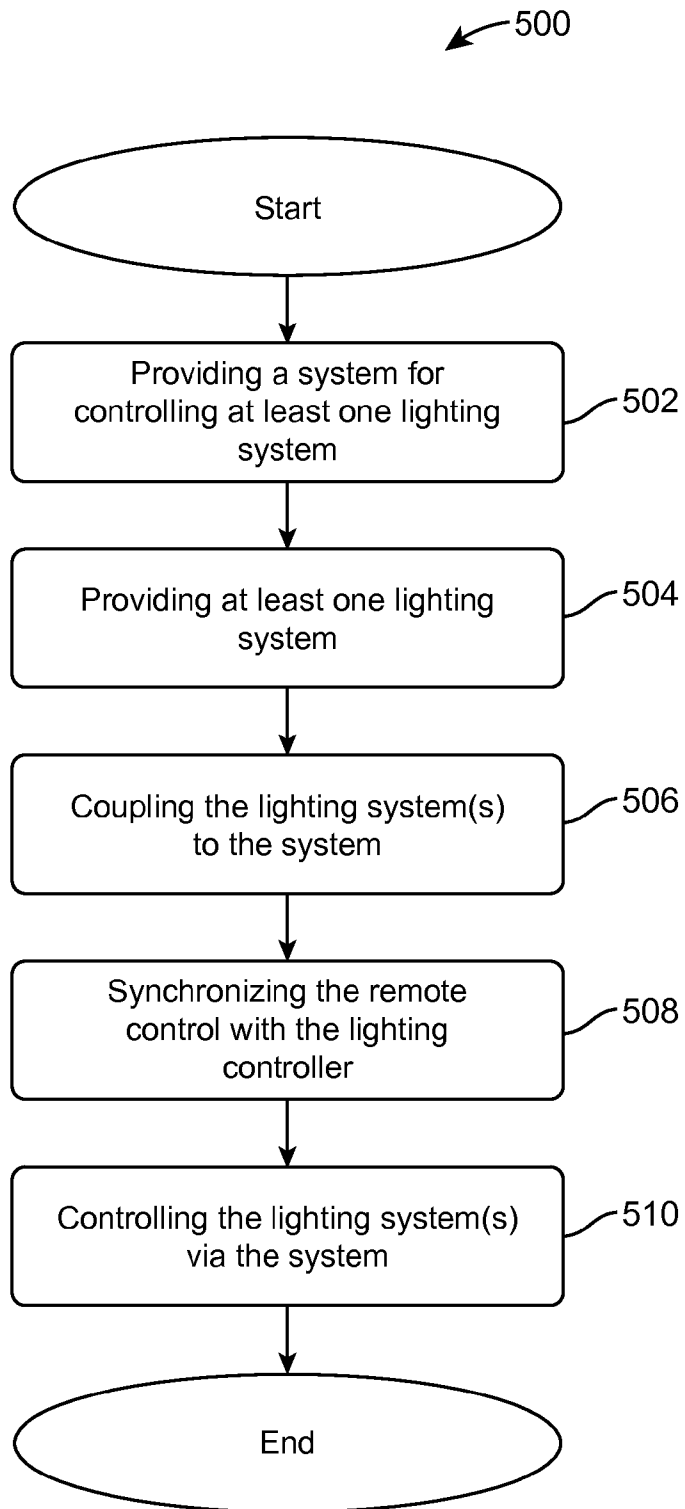


FIG. 5

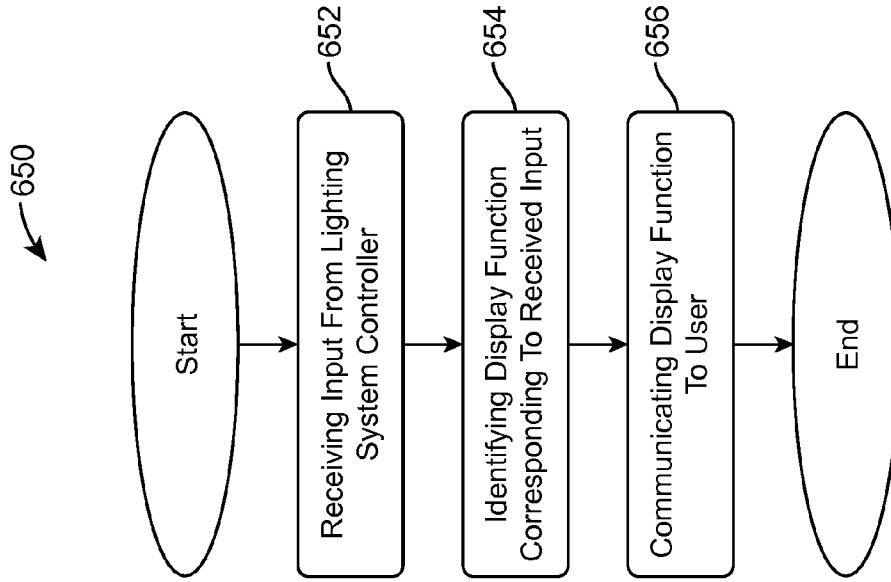


FIG. 6B

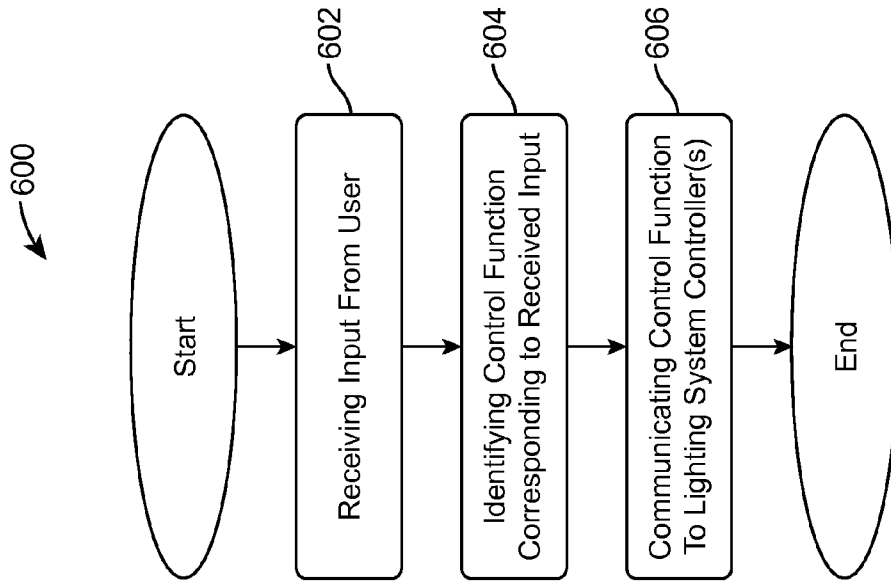


FIG. 6A

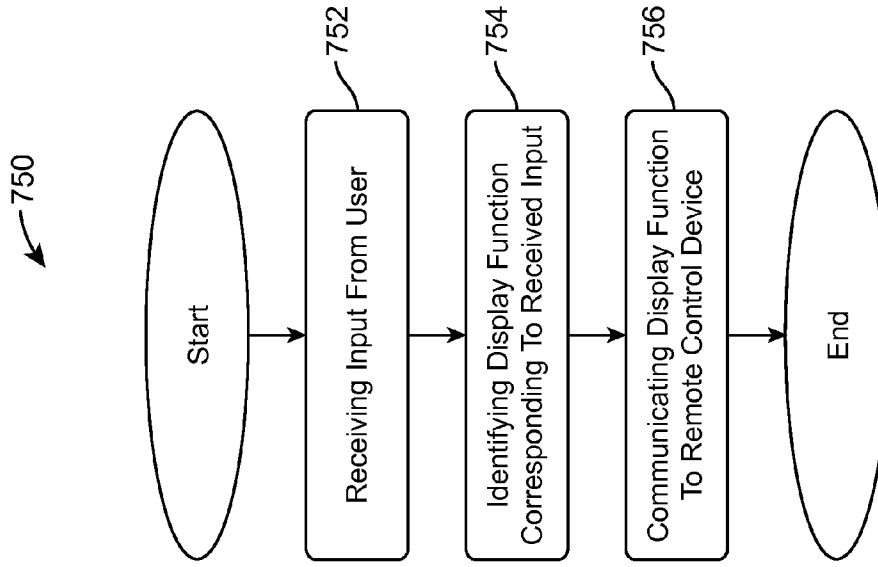


FIG. 7B

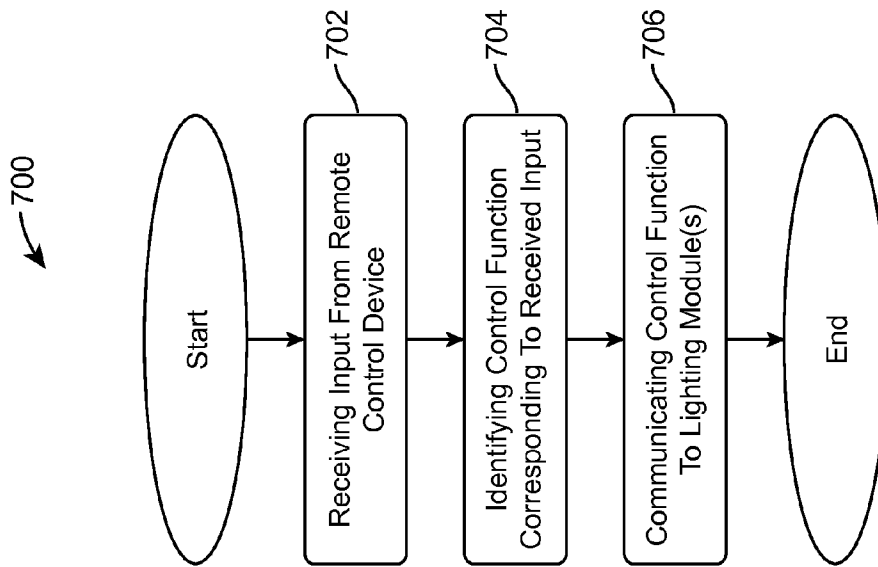


FIG. 7A

WIRELESS CONTROLLER FOR LIGHTING SYSTEM

CROSS REFERENCE TO RELATED APPLICATIONS

This application is the U.S. National Phase Patent Application under 35 U.S.C. §371 of International Application Number PCT/US2010/047911, filed on Sep. 3, 2010, which claims priority to U.S. Provisional Patent Application Ser. No. 61/240,070 filed Sep. 4, 2009. Both applications, International Application Number PCT/US2010/047911 and U.S. Provisional Patent Application Ser. No. 61/240,070, are incorporated herein by reference in their entirety.

BACKGROUND OF THE INVENTION

1. Field of the Invention

The present invention relates generally to wireless controllers, and in particular, to a wireless controller for lighting systems.

2. Background of the Invention

Lighting fixtures are used for illuminating environments such as indoor spaces. A typical lighting fixture comprises a housing including a socket for receiving a lighting element such as a light bulb, wherein the socket provides electrical power to the lighting element. Each lighting fixture may be independently installed on a support or mounting surface and coupled to an electrical power source via electrical cables for powering the lighting elements.

BRIEF SUMMARY OF THE INVENTION

The present invention provides a system and method for controlling at least one lighting system by means of a portable wireless remote control device. In one embodiment, the system comprises a portable wireless remote control device, a lighting system controller, and at least one lighting system. Each lighting system comprises one or more lighting modules (e.g., light emitting diodes (LEDs), incandescent bulbs, neon lamps, fluorescent lamps, etc.).

In one embodiment, the portable wireless remote control device comprises a wireless transceiver, processor, memory, light control logic, user interface (UI), and an antenna. The portable wireless remote control device may communicate wirelessly (e.g., radio frequency, infrared frequency, etc.) with the lighting system controller. In a particular embodiment, the user interface is a keypad comprising an indication LED, an all-on button, an all-off button, a standby button, a function button, a mode button, and a plurality of on/off buttons; all for controlling lighting systems coupled to the lighting system controller.

In one embodiment, the lighting system controller comprises a wireless transceiver, processor, memory, light control logic, and an antenna. The lighting system controller may further comprise a means for removably coupling the lighting controller to a surface, at least one output jack for controlling a lighting system coupled thereto, and at least one bank of indication light emitting diodes (LEDs) for indicating a status of each lighting system coupled to the lighting controller. Each lighting system is coupled (e.g., wired) to the lighting system controller and may be powered either by the lighting system controller or an alternative source (e.g., electrical outlet, generator, solar cell, battery, etc.).

These and other features, aspects and advantages of the present invention will become understood with reference to the following description, appended claims and accompanying figures.

BRIEF DESCRIPTION OF THE DRAWINGS

FIG. 1 illustrates a diagram of a wireless controller for a lighting system, according to an embodiment of the present invention.

FIG. 2 illustrates a perspective view of a lighting system controller, according to an embodiment of the present invention.

FIG. 3 illustrates a perspective view of an alternative lighting system controller, according to an embodiment of the present invention.

FIG. 4 illustrates a view of a portable remote control, according to an embodiment of the present invention.

FIG. 5 illustrates a process for controlling at least one lighting system, according to an embodiment of the present invention.

FIG. 6A illustrates an alternative process for controlling at least one lighting system, according to an embodiment of the present invention.

FIG. 6B illustrates an alternative process for controlling at least one lighting system, according to an embodiment of the present invention.

FIG. 7A illustrates an alternative process for controlling at least one lighting system, according to an embodiment of the present invention.

FIG. 7B illustrates an alternative process for controlling at least one lighting system, according to an embodiment of the present invention.

DETAILED DESCRIPTION OF THE INVENTION

The following description is made for the purpose of illustrating the general principles of the present invention and is not meant to limit the inventive concepts claimed herein. Further, particular features described within can be used in combination with other described features in each of the various possible combinations and permutations. Unless otherwise specifically defined herein, all terms should be given their broadest possible interpretation including meanings implied from the specification as well as meanings understood by those skilled in the art and/or as defined in dictionaries, treatises, etc.

Embodiments of the invention provide a control system for controlling at least one lighting system. In one embodiment, the control system comprises a lighting controller electrically coupled to each lighting system and a remote control device configured for transmitting control signals to the lighting controller. The lighting controller is configured for receiving control signals from the remote control device and controlling operation of each coupled lighting system based on control signals from the remote control device. In one embodiment, the remote control device transmits control signals to the lighting controller via a wireless communication medium.

Referring now to the embodiments of the invention shown in the drawings, FIG. 1 illustrates a system **100** for controlling at least one lighting system **400** by means of a portable wireless remote control device **200**, according to an embodiment of the present invention. The system **100** comprises a portable wireless remote control device **200** and a lighting system controller **300**. In one embodiment, an apparatus **50** comprises the system **100** and at least one lighting system **400** electrically coupled to the lighting system controller **300**.

Each lighting system **400** comprises one or more lighting modules **402** (e.g., light emitting diodes (LEDs), incandescent bulbs, neon lamps, fluorescent lamps, etc.).

In one embodiment of the present invention, the portable wireless remote control device **200** comprises a wireless transceiver **202**, processor **204**, memory **206**, light control logic **208**, user interface (UI) **210** (e.g., keypad), and an antenna **212**. The portable wireless remote control device **200** communicates with the lighting system controller **300** over a wireless communication medium (e.g., radio frequency (RF), infrared frequency, etc.).

As illustrated in FIG. 1, the lighting system controller **300** comprises a wireless transceiver **302**, processor **304**, memory **306**, light control logic **308**, and an antenna **310**. Each lighting system **400** is coupled (e.g., wired) to the lighting system controller **300** and may be powered either by the lighting system controller **300** or an alternative source (e.g., electrical outlet, generator, solar cell, battery, etc.).

In one embodiment, the lighting controller **300** includes an electrical switching device (circuit) **305** that is controlled by the control circuit **308** for selectively switching electrical power to each lighting system **400** based on user commands from the remote control device **200**. In the example shown in FIG. 2, the electrical switching device **305** is connected between the electrical power input **314** and the power outlets **318** for selectively switching electrical power to each coupled lighting system **400**. In the example shown in FIG. 3, the electrical switching device **305** is connected between the electrical power input **314** and the power outlets **326** for selectively switching electrical power to each coupled lighting system **400**.

FIG. 2 illustrates a perspective view of a lighting system controller **300**, according to an embodiment of the present invention. In this embodiment the controller **300** is essentially rectangular in shape and houses the wireless transceiver **302**, processor **304**, memory **306**, and light control logic/circuits **308**. The controller **300** also comprises the antenna **310**, a power switch **312**, a power cord inlet **314**, and coupling member **316** (e.g., apertures) for attaching the lighting system controller **300** to a surface (e.g., wall, ceiling, etc.) via coupling means such as screws, nuts/bolts, etc. In this embodiment the power cord inlet **314** is designed to receive a removable power cord, however it is appreciated that in alternative embodiments a non-removable power cord may be used. The power switch **312** provides a means for turning on/off the lighting system controller **300**. The antenna **310** provides the means for communicating with the portable wireless remote control device **200** (FIG. 1).

Moreover, the lighting system controller **300** comprises a plurality of output jacks **318**, a plurality of indication light emitting diodes (LEDs) **320**, a reset button **322**, and a reset indication LED **324**. Each output jack in the plurality of output jacks **318** is capable of connecting and controlling at least one lighting system thereto. Each bank of indication LEDs **320** illuminate to indicate the activity status for a given output jack **318**. For example, the indication LEDs **320** may identify when a given lighting system is turned on and/or active, when the lighting system is in standby mode, when instructions are being sent to the lighting system, etc. The reset button **322** provides a means of synchronizing the lighting system controller **300** with the portable wireless remote control device **200** (FIG. 1). The reset indication LED provides an indication that the lighting system controller **300** and the portable wireless remote control device are in the process of synchronizing.

In this embodiment, each lighting system connected to the lighting system controller **300** via the output jacks **318** is

powered by an external source. In an alternative embodiment, each output jack **318** is also capable of providing power to the lighting system as well as control instructions/signals.

The lighting system controller **300** may be located proximate the lighting systems **400** (e.g., attached to the ceiling near a lighting system, on the same truss component as the lighting system, etc.), wherein an operator (user) may send wireless signals to the lighting system controller **300** via the portable remote control device **200** from a distance without the need for wires/cables running between the remote control device **200** and the lighting system controller **300**. The portable remote control device **200** allows wireless control (via the lighting system controller **300**) one or more lighting systems **400** (FIG. 1) individually or at the same time.

In one embodiment of the present invention, the lighting controller system **300** wirelessly transmits signals comprising status signals back to the portable remote control device **200** (FIG. 1), wherein the status signals may indicate the status of the various lighting systems **400** and or lighting modules **402** (FIG. 1).

In another embodiment of the present invention, each lighting system **400** (FIG. 1) may have a dedicated lighting controller system **300**, wherein the lighting controller **400** may be a component part of the lighting controller system **300**. As such, a single remote control **200** (FIG. 1) may be used to transmit control function codes to multiple lighting controller systems **300**.

In yet another embodiment of the present invention, each lighting system **400** may include logic/programming of lighting sequences for the lighting modules **402** contained therein (FIG. 1). In this scenario, the coupled lighting controller system **300** provides control signals (based on function codes received from the remote control **200**) to the lighting system to invoke different lighting programs in the lighting system **400** (desired by an operator of the remote control **200**).

FIG. 4 illustrates a view of a portable remote control device **200**, according to an embodiment of the present invention. The device **200** is essentially rectangular in shape and comprises the wireless transceiver **202**, processor **204**, memory **206**, lighting control logic/circuits **208**, and user interface (UI) **210** in a keypad configuration. In this embodiment, the user interface (UI) **210** comprises an indication LED **214**, an all-on button **216**, and all-off button **218**, a standby button **220**, a function button **222**, a mode button **224**, and a plurality of power jack on/off buttons **226**.

The indication LED **214** is designed to blink when a command from the portable wireless controller device **200** has been sent to the lighting system controller **300**. The all-on button **216** is designed to turn on all lighting systems connected to the lighting system controller **300** via a power jack **326**. The all-off button **218** is designed to turn off all lighting systems connected to the lighting system controller **300** via a power jack **326**. The standby button **220** is designed to set all of the lighting systems connected to the lighting system controller **300** via an output jack **318** to a blackout/standby mode.

The function button **222** is designed to cycle through each function (e.g., standby, sound activated, active, etc.) a given lighting system possesses, said lighting system being connected to the lighting system controller **300** via an output jack **318**. The mode button **224** is designed to cycle through each mode (e.g., solid, strobe, pattern, etc.) a given lighting system possesses, said lighting system being connected to the lighting system controller **300** via an output jack **318**. Finally, the plurality of power jack on/off buttons **226** are designed to turn on and/or off each individual lighting system connected to the lighting system controller **300** via a power jack **326**.

The remote control user interface (UI) **210** may alternatively include a display device (e.g., indicator lights, display screen, etc.) to display the received status information in addition to the indication LED **214**. The remote control UI **210** may include other input devices instead of, or in addition to, the keypad embodiment illustrated in FIG. 4. Such other input devices may include joy stick, track ball, touch pad, touch screen, etc., for sending control function codes from the remote control **200** to the lighting controller system **300**.

With respect to the portable remote control device **200**, the lighting control logic/circuits **208** may maintain a look-up table in memory **206** which includes an entry for each key in the user interface (UI) **210**, each entry including a key number and a unique control function code. Activating a key causes an associated control function code to be selected and wirelessly transmitted from the portable remote control device **200** to the lighting system controller **300**. The lighting system controller **300** receives the control function code from the portable wireless controller **200**, and based on the received control function code, the lighting control logic/circuits **308** sends corresponding lighting control signal to a coupled lighting system **400** (FIG. 1).

Each lighting control signal may comprise a sequence or set of signals that controls operation of one or more lighting modules **402** of the lighting system **400** (FIG. 1). For example, a lighting control signal may comprise a programmed sequence of signals for changing on/off status of a first lighting module **402** every N seconds, and changing on/off status of a second lighting module **402** every M seconds, etc. In this example, the lighting control logic/circuits **308** of the lighting controller device **300** includes the various programming of lighting sequences for the lighting modules **402** for desired lighting patterns (FIG. 1).

FIG. 3 illustrates a perspective view of an alternative lighting system controller **301**, according to an embodiment of the present invention. In this embodiment the lighting system controller **301** is essentially rectangular in shape and comprises the wireless transceiver **302**, processor **304**, memory **306**, and light control logic/circuits **308** as in the lighting system controller **300** in FIG. 1. FIG. 3 further illustrates the antenna **310**, power switch **312**, power cord inlet **314**, and coupling member **316** (e.g., bracket) for attaching the lighting system controller **301** to a surface (e.g., wall, ceiling, truss system, etc.). In this embodiment the power cord **314** is non-removable by design.

The lighting system controller **301** comprises a single output jack **318**, two indication light emitting diodes (LEDs) **320**, a reset button **322**, and a reset indication LED **324**. The single output jack **318** is capable of connecting and controlling at least one lighting system thereto. The two indication LEDs **320** light up to indicate the activity status for the lighting system controller **301**. For example, the indication LEDs **320** may identify when the system controller **301** is turned on and/or active, when the lighting system controller **301** is in standby mode, etc. In this embodiment, each lighting system connected to the lighting system controller **301** via the output jack **318** is powered by an external source. In an alternative embodiment, the output jack **318** is also capable of providing power to the lighting system as well as control instructions/signals. This alternative embodiment also features a plurality of power jacks **326** capable of providing electrical power to at least eight separate lighting systems.

In another example, a single portable remote control device **200** may be used to selectively transmit control function codes to multiple lighting controller systems. For example, the remote control UI **210** may include a selector button to

select which lighting controller systems **300** and **301** should control function codes being transmitted (one at a time, or simultaneously).

FIG. 5 illustrates a process **500** for controlling at least one lighting system **400** using a remote control device **200** and lighting controller system such as the control lighting system controller **300** in FIG. 1 and the control lighting system controller **301** in FIG. 3, according to embodiments of the present invention. The process **500** begins with process block **502** which comprises providing a system **100** for controlling the lighting system(s) **400** (FIG. 1). The system **100** provided in process block **502** comprises a portable wireless remote control device **200** and a lighting system controller **300**.

Process block **504** which comprises providing at least one lighting system **400**. In one embodiment of the present invention, the lighting system **400** provided according to process block **504** comprises one or more lighting module **402** (e.g., light emitting diodes (LEDs), incandescent bulbs, neon lamps, fluorescent lamps, etc.).

In one embodiment of the present invention, process block **506** comprises coupling each lighting system **400** to an output jack **318** located on the lighting system controller **300** (FIG. 2). In an alternative embodiment of the present invention, process block **506** comprises coupling each lighting system **400** to a power jack **326** located on the lighting system controller **301** (FIG. 3). Process block **506** is complete after coupling the lighting system(s) **400** to the lighting system controller.

In one embodiment of the present invention, synchronizing the remote control device **200** with the lighting system controller **300** as per process block **508** comprises turning on the lighting system controller **300** via the power switch **312** (FIG. 2). After the controller is turned on, the reset button **322** on the controller **300** is pressed whereupon the reset indication LED **324** begins to flash (FIG. 2). After the reset indication LED **324** begins flashing, any button in the keypad user interface (UI) of the wireless remote control device **200** may be pressed (FIG. 4). Upon pressing a button on the wireless remote control device **200**, the indication LED **324** on the lighting controller **300** turns off to indicate that synchronization is successful (FIG. 2). In an alternative embodiment, the reset indication LED **324** may remain on instead of flashing (FIG. 2).

In one embodiment of the present invention, process block **510** comprises controlling the lighting system(s) **400** via the wireless remote control device **200** (FIG. 4). Controlling the lighting system(s) **400** utilizes the user interface (UI) of the remote control device **200** (FIG. 4). In one embodiment, the remote control device **200** user interface (UI) is in a keypad configuration (FIG. 4). Controlling the lighting system(s) **400** may comprise turning on all lighting systems connected to the lighting system controller **300** by pressing the all-on button **216** (FIG. 4). Turning off all the lighting systems may be performed by pressing the all-off button **218** (FIG. 4). Pressing the standby button **220** on the remote control device **200** sets all lighting systems **400** coupled to the lighting system controller **300** to a blackout/standby mode (FIG. 4).

In one embodiment of the present invention, pressing the function button **222** on the remote control device **200** controls the lighting systems **400** by cycling through each function (e.g., standby, sound activated, active, etc.) a given lighting system **400** possesses (FIG. 4). Pressing the mode button **224** on the remote control device **200** controls the lighting systems **400** coupled to the lighting system controller **300** by cycling through each mode (e.g., solid, strobe, pattern, etc.) a given lighting system possesses (FIG. 4). Additionally, the lighting system(s) **400** may be individually turned on and/or off by

pressing a corresponding on/off button **226** on the wireless remote control device **200** (FIG. 4).

FIG. 6A illustrates flowchart of a process **600** providing example details of the control process **510** (FIG. 5) for controlling at least one lighting system **400** (FIG. 1), according to an embodiment of the present invention. Process block **602** comprises the remote control device **200** (FIG. 1) receiving input from a user. The process **600** may be implemented by the control logic **208**, according to an embodiment of the invention.

The remote control device **200** receiving input from a user may comprise, for example, a user pressing a button on a keypad on the remote control device **200** (FIG. 4). Alternatively, input from the user may comprise the user pressing multiple buttons on the remote control device **200** (FIG. 4), speaking into a microphone located on the remote control device **200**, etc.

Process block **604** comprises the remote control device **200** identifying a specific control function corresponding to the input received from the user. In one embodiment, each button in the keypad configured user interface **210** maps to a corresponding control function in a look-up table stored in memory **206** (FIG. 1). In one example, process block **604** uses the processor **204** and/or control logic/circuits **208** in the remote control device **200** to identify the specific control function in the look-up table in memory **206** that corresponds to the input received from the user (FIG. 1).

Process block **606** comprises the remote control device **200** communicating the identified control function to at least one lighting system controller such as the lighting system controller **300** (FIG. 1). In one embodiment, the wireless transceiver **202** utilizes the antenna **212** to wirelessly communicate the identified control function to the lighting system controller **300** (FIG. 1).

Further, the remote control device **200** may wirelessly receive information from each lighting system controller **300**. FIG. 6B illustrates a flowchart of such a process **650** for controlling **510** (FIG. 5) at least one lighting system **400** (FIG. 1), according to an embodiment of the present invention. Process **652** comprises the remote control device **200** receiving information from a lighting system controller **300**.

In one embodiment, input from the lighting system controller **300** is received by the antenna **212** and interpreted using the wireless transceiver **202** and processor **204** (FIG. 1). Such information may include, for example: acknowledgment from the lighting system controller **300** in response to a control signal sent from the remote control device **200** (e.g., control signal received, error, etc.), the status of the lighting system controller **300**, the status of one or more lighting systems **400** electrically coupled to the lighting system controller **300**, the status of one or more lighting elements **402**, etc. (FIG. 1).

The remote control device **200** may display information based on said information received from the remote control system **300**. For example, process block **654** comprises identifying a specific display information corresponding to the information received from the lighting system controller **300** (FIG. 1). In one embodiment, each button in the keypad **210** is capable of displaying a certain pattern(s) (e.g., flash, blink, strobe, solid color, etc.) to a user based on information received from the lighting system controller **300**. The capable display pattern(s) for each button may be stored in a look-up table residing in memory **206** (FIG. 1). Process block **654** uses the processor **204** and control logic/circuits **208** (FIG. 1) to identify the specific keypad button and display pattern in the look-up table corresponding to the information received from the lighting system controller **300**.

Process block **656** comprises the remote control device **200** communicating the display information to the user (FIG. 4). In one embodiment, communicating comprises the remote control device **200** displaying the pattern on the identified keypad button in the user interface **210** of the remote control device **200** (FIG. 1) corresponding to the received information. In an alternative embodiment, communicating may comprise displaying words and/or images on a display screen located in the remote control device **200** (FIG. 1). Additionally communicating may comprise playing an audio file stored in memory **206** through a speaker located in the remote control device **200**.

FIG. 7A illustrates flowchart of a process **700** for controlling **510** (FIG. 5) at least one lighting system **400** (FIG. 1), according to an embodiment of the present invention. The process **700** may be implemented by the control logic **308** of a lighting controller system **300**, according to an embodiment of the invention.

Process block **702** comprises the lighting system controller **300** receiving input from a remote control device **200** (FIG. 1). In one embodiment, input from the remote control device **200** is received by the wireless transceiver **302** and interpreted using the control logic **308** and/or processor **304** in the lighting system controller **300** (FIG. 1).

Process block **704** comprises the lighting system controller **300** identifying a specific control function corresponding to the input received from the remote control device **200** (FIG. 1). In one embodiment, a lighting system **400** is capable of displaying certain patterns and/or sequences (e.g., flash, blink, strobe, solid color, pattern, audio activated, etc.), based on control signals received from a coupled lighting system controller **300**. In another embodiment, output jacks **318** and power jacks **326** in a lighting system controller **300** (FIG. 2) are capable of communicating operations and/or commands (e.g., turn on, turn off, enter standby mode, self-test, etc.) to lighting system(s) **400** connected thereto (FIG. 1).

In one example, while lighting systems **400** coupled to a power jack **326** may only be capable of on/off operations; lighting systems **400** coupled to an output jack **318** of the lighting system controller **300** (FIG. 3) may be capable of additional operations, for example, entering certain modes (e.g., standby, strobe, solid light, flicker, fade in/out, etc.). In one embodiment, the operation(s) for each output jack **318** and power jack **326** in a lighting system controller **300** are stored in a look-up table stored in memory **306** (FIG. 1).

Processor **304** of the lighting system controller **300** uses control logic/circuits **308** and the look-up table in memory **306** to identify (select) a specific jack (e.g., output jack **318** or power jack **326**) and display operation corresponding to the input received from the remote control device **200** (FIG. 1).

Process block **706** comprises the lighting system controller **300** communicating the identified display operation via the identified jack (output jack **318** or power jack **326**) to at least one lighting system **400** (FIG. 1) coupled thereto.

Additionally, the lighting system controller **300** is capable of receiving information from a user directly, wherein the user may initiate, for example, synchronizing/re-synchronizing communication between a remote control device **200** and the lighting system controller **300** (FIG. 1). FIG. 7B illustrates a flowchart of such a process **750** for controlling **510** (FIG. 5) at least one lighting system **400** (FIG. 1), according to an embodiment of the present invention. The user may initiate process block **752** by pressing the reset button **322** on the lighting system controller **300** thereby sending an input signal to the controller **300** (FIG. 2).

Process block **754** comprises the lighting system controller **300** identifying the display function to send to the remote

control device **200** corresponding to the input received from the user at the lighting system controller **300** (FIG. **1**). In one embodiment, display functions that can be sent to the remote control device **200** reside in a look-up table stored in memory **306** and may include, for example, that the indication LED **214** on the remote control device **200** (FIG. **4**) illuminates or blinks during synchronization. Process block **754** uses the processor **304** and control logic/circuits **308** (FIG. **1**) to identify the specific display function in the look-up table corresponding to the input received from the user at the lighting system controller **300**.

Process block **756** comprises the lighting system controller **300** communicating the identified display function to the remote control device **200** (FIG. **2**). In one embodiment, the wireless transceiver **302** of the lighting system controller **300** utilizes the antenna **310** to wirelessly communicate the identified display function to the remote control device **200** (FIG. **1**) for display thereon.

As is known to those skilled in the art, the aforementioned example architectures described above, according to the present invention, can be implemented in many ways, such as program instructions for execution by a processor, as software modules, as microcode, as computer program products on computer readable media, as logic circuits, as application specific integrated circuits, as firmware, etc. Further, embodiments of the invention can take the form of an entirely hardware embodiment, an entirely software embodiment or an embodiment containing both hardware and software elements.

The present invention has been described in considerable detail with reference to certain preferred versions thereof; however, other versions are possible. Therefore, the spirit and scope of the appended claims should not be limited to the description of the preferred versions contained herein.

The terminology used herein is for the purpose of describing particular embodiments only and is not intended to be limiting of the invention. As used herein, the singular forms "a", "an" and "the" are intended to include the plural forms as well, unless the context clearly indicates otherwise. It will be further understood that the terms "comprises" and/or "comprising," when used in this specification, specify the presence of stated features, integers, steps, operations, elements, and/or components, but do not preclude the presence or addition of one or more other features, integers, steps, operations, elements, components, and/or groups thereof.

The corresponding structures, materials, acts, and equivalents of all means or step plus function elements in the claims below are intended to include any structure, material, or act for performing the function in combination with other claimed elements as specifically claimed. The description of the present invention has been presented for purposes of illustration and description, but is not intended to be exhaustive or limited to the invention in the form disclosed. Many modifications and variations will be apparent to those of ordinary skill in the art without departing from the scope and spirit of the invention. The embodiment was chosen and described in order to best explain the principles of the invention and the practical application, and to enable others of ordinary skill in the art to understand the invention for various embodiments with various modifications as are suited to the particular use contemplated.

What is claimed is:

1. A control system for controlling at least one lighting system, comprising:
 - a lighting controller detachably electrically coupled to each lighting system; and

a remote control device configured for transmitting control signals to the lighting controller;

wherein the lighting controller is configured for receiving control signals from the remote control device and controlling operation of each coupled lighting system based on control signals from the remote control device; and wherein, for each lighting system coupled to the lighting controller, the lighting controller is further configured for cycling through one or more of lighting functions and one or more lightings modes of the lighting system.

2. The control system of claim **1**, wherein the lighting controller comprises:

a communication module configured for wireless communication with the remote control device over a wireless communication medium;

a lighting control logic configured for controlling operation of each coupled lighting system; and

at least one output jack for controlling a lighting system coupled thereto.

3. The control system of claim **2**, wherein:

the lighting control logic is further configured for controlling operation of a coupled lighting system based on a received control function code from the remote control device, wherein the lighting control logic sends a corresponding lighting control signal to a coupled lighting system.

4. The control system of claim **3**, wherein:

the lighting control logic is further configured to generate a lighting control signal comprising a set of signals that control operation of one or more lighting modules of the coupled lighting system, based on control signals received from the remote control device.

5. The control system of claim **2**, wherein the lighting controller further comprises:

a coupling mechanism for removably coupling the lighting controller to a surface; and

at least one display device for visually indicating a status of each lighting system coupled to the lighting controller.

6. The control system of claim **2**, wherein the lighting controller further comprises:

a synchronization button for synchronizing the remote control device with the lighting controller;

a synchronization LED for indicating whether the remote control device is synchronized with the lighting controller; and

at least one electrical power jack for providing electricity to a lighting system coupled thereto.

7. The control system of claim **6**, wherein the coupling mechanism comprises:

a plurality of apertures for coupling the lighting controller to a surface by nuts and bolts.

8. The control system of claim **7**, wherein the coupling mechanism comprises:

a clamp for coupling the lighting controller to a truss system.

9. The control system of claim **7**, wherein the remote control device comprises:

a communication module configured for wireless communication with the lighting controller via a wireless communication medium;

a user interface configured for receiving user commands for commanding operation of each lighting system via the lighting controller; and

a control logic configured for selectively transmitting control signals to the lighting controller based on user commands received via the user interface.

11

10. The control system of claim 9, wherein the user interface comprises a keypad for receiving commands for operation of each lighting system.

11. The control system of claim 10, wherein the user interface comprises:

- an indication LED;
- an all-on button;
- an all-off button;
- a standby button;
- a function button;
- a mode button; and
- a plurality of on/off buttons.

12. The control system of claim 11, wherein the indication LED of the remote control device is configured for indicating when signals are sent to or received from the lighting controller.

13. The control system of claim 11, wherein the all-on button of the remote control device is configured for turning on all lighting systems coupled to the lighting controller via a power jack by sending a control signal from the remote control device to the lighting controller.

14. The control system of claim 11, wherein the all-off button of the remote control device is configured for turning off all lighting systems coupled to the lighting controller via a power jack by sending a control signal from the remote control device to the lighting controller.

15. The control system of claim 11, wherein the standby button of the remote control device is configured for setting all lighting systems coupled to the lighting controller via an output jack to a standby mode by sending a control signal from the remote control device to the lighting controller.

16. The control system of claim 11, wherein:

the function button of the remote control device is configured for cycling through each lighting function a lighting system possesses by sending a control signal from the remote control device to the lighting controller, wherein the lighting system is coupled to the lighting controller via an output jack; and

wherein each lighting system has at least one of the following lighting functions: standby, a sound activated, and active.

17. The control system of claim 11, wherein:

the mode button of the remote control device is configured for cycling through each lighting mode a given lighting system possesses by sending a control signal from the remote control device to the lighting controller, wherein the lighting system is coupled to the lighting controller via an output jack; and

wherein each lighting system has at least one of the following lighting modes: a solid, strobe and pattern.

18. The control system of claim 11, wherein each on/off button of the remote control device is configured to turn on or turn off each lighting system coupled to the lighting controller via a power jack by sending a control signal from the remote control device to the lighting controller.

19. The control system of claim 5, wherein the remote control device is configured for sending signals to and receiving signals from more than one lighting controller.

20. The control system of claim 19, wherein the remote control device is configured for controlling each of the lighting devices coupled to the lighting controller individually.

21. The control system of claim 20, wherein the remote control device is configured for controlling all of the lighting devices coupled to the lighting controller at once.

22. The control system of claim 11, wherein the remote control device is further configured for receiving signals from

12

a lighting controller and displaying information based on the signals received from said lighting controller.

23. A method for wirelessly controlling at least one lighting system, comprising:

- 5 providing a control system for controlling the at least one lighting system;
- providing at least one lighting system;
- electrically coupling each lighting system to the control system; and
- 10 controlling each lighting system coupled to the control system;
- wherein, for each lighting system coupled to the control system, the control system is configured for cycling through one or more of lighting functions and one or more lightings modes of the lighting system.

24. The method of claim 23, wherein the control system comprises:

- a lighting controller detachably electrically coupled to each lighting system;
- 20 a remote control device configured for transmitting control signals to the lighting controller;
- wherein the lighting controller is configured for receiving control signals from the remote control device and controlling operation of each coupled lighting system based on control signals from the remote control device.

25. The method of claim 24, further comprising:

- synchronizing the remote control device with the lighting controller prior to controlling each lighting system coupled to the control system.

26. The method of claim 25, wherein the lighting controller comprises:

- a communication module configured for wireless communication with the remote control device over a wireless communication medium;
- 25 a lighting control logic configured for controlling operation of each coupled lighting system;
- at least one output jack for controlling a lighting system coupled thereto;
- a coupling mechanism for removably coupling the lighting controller to a surface; and
- at least one display device for visually indicating a status of each lighting system coupled to the lighting controller;
- wherein the lighting control logic is further configured for controlling operation of a coupled lighting system based on a received control function code from the remote control device, wherein the lighting control logic sends a corresponding lighting control signal to a coupled lighting system; and
- wherein the lighting control logic is further configured to generate a lighting control signal comprising a set of signals that control operation of one or more lighting modules of the coupled lighting system, based on control signals received from the remote control device.

27. The method of claim 26, wherein the remote control device comprises:

- a communication module configured for wireless communication with the lighting controller via a wireless communication medium;
- 30 a user interface configured for receiving user commands for commanding operation of each lighting system via the lighting controller; and
- a control logic configured for selectively transmitting control signals to the lighting controller based on user commands received via the user interface;
- wherein the user interface comprises a keypad for receiving commands for operation of each lighting system; and

13

wherein an indication display of the remote control device is configured for indicating when signals are sent to or received from the lighting controller.

28. The method of claim 26, wherein controlling each lighting system comprises:

in response to a mode button of the remote control device being pressed, cycling through each mode a given lighting system possesses by sending a control signal from the remote control device to the lighting controller, wherein the lighting system is coupled to the lighting controller via an output jack; and

in response to each on/off button of the remote control device being pressed, turning on or turning off each lighting system coupled to the lighting controller via a power jack by sending a control signal from the remote control device to the lighting controller.

29. The method of claim 26, wherein the remote control device is further configured for receiving signals from a lighting controller and displaying information based on the signals received from said lighting controller.

30. A lighting apparatus, comprising:
at least one lighting system; and
a control system comprising:

- a lighting controller detachably electrically coupled to each lighting system; and
- a remote control device configured for wirelessly communicating with the lighting controller via a wireless communication medium;

wherein the lighting controller is configured for receiving control signals from the remote control device and controlling operation of each coupled lighting system based on control signals from the remote control device; and wherein, for each lighting system coupled to the lighting controller, the lighting controller is further configured for cycling through one or more of lighting functions and one or more lightings modes of the lighting system.

31. The apparatus of claim 30, wherein the lighting controller comprises:

a communication module configured for wireless communication with the remote control device over a wireless communication medium;

14

a lighting control logic configured for controlling operation of each coupled lighting system; and
at least one output jack for controlling a lighting system coupled thereto.

32. The apparatus of claim 31, wherein:
the lighting control logic is further configured for controlling operation of a coupled lighting system based on a received control function code from the remote control device, wherein the lighting control logic sends a corresponding lighting control signal to a coupled lighting system.

33. The apparatus of claim 32, wherein:
the lighting control logic is further configured to generate a lighting control signal comprising a set of signals that control operation of one or more lighting modules of the coupled lighting system, based on control signals received from the remote control device.

34. The apparatus of claim 33, wherein the remote control device comprises:

- a communication module configured for wireless communication with the lighting controller via a wireless communication medium;
- a user interface configured for receiving user commands for commanding operation of each lighting system via the lighting controller; and
- a control logic configured for selectively transmitting control signals to the lighting controller based on user commands received via the user interface.

35. The apparatus of claim 34, wherein the remote control device is further configured for receiving signals from a lighting controller and displaying information based on the signals received from said lighting controller.

36. The control system of claim 1, wherein:
each lighting system is individually connected to the lighting controller.

37. The control system of claim 1, wherein:
the lighting controller is separately proximate to each lighting system.

* * * * *