



US007652436B2

(12) **United States Patent**
Dowling et al.

(10) **Patent No.:** **US 7,652,436 B2**
(45) **Date of Patent:** ***Jan. 26, 2010**

(54) **METHODS AND SYSTEMS FOR ILLUMINATING HOUSEHOLD PRODUCTS**

(75) Inventors: **Kevin J. Dowling**, Westford, MA (US);
Josh Strauss, Evanston, IL (US);
Michael K. Blackwell, Milton, MA (US)

(73) Assignee: **Philips Solid-State Lighting Solutions, Inc.**, Burlington, MA (US)

(*) Notice: Subject to any disclaimer, the term of this patent is extended or adjusted under 35 U.S.C. 154(b) by 115 days.

This patent is subject to a terminal disclaimer.

3,586,936 A 6/1971 McLeroy
3,595,991 A 7/1971 Diller
3,601,621 A 8/1971 Ritchie
3,643,088 A 2/1972 Osteen et al.
3,696,393 A 10/1972 McDonald
3,740,570 A 6/1973 Kaelin et al.
3,746,918 A 7/1973 Drucker et al.

(Continued)

FOREIGN PATENT DOCUMENTS

AU 6 267 9 12/1996

(21) Appl. No.: **11/949,497**

(22) Filed: **Dec. 3, 2007**

(Continued)

(65) **Prior Publication Data**

US 2008/0130267 A1 Jun. 5, 2008

Related U.S. Application Data

(63) Continuation of application No. 10/656,807, filed on Sep. 5, 2003, now Pat. No. 7,303,300.

(60) Provisional application No. 60/408,309, filed on Sep. 5, 2002.

OTHER PUBLICATIONS

“LM117-LM317A-LM317 3-Terminal Adjustable Regulator”, National Semiconductor Corporation, May 1997, pp. 1-20.

(Continued)

Primary Examiner—John A Ward

(51) **Int. Cl.**
G05F 1/00 (2006.01)

(52) **U.S. Cl.** **315/297**; 362/101; 362/231

(58) **Field of Classification Search** 362/96, 362/101, 217, 249, 800, 643; 315/297, 312
See application file for complete search history.

(57) **ABSTRACT**

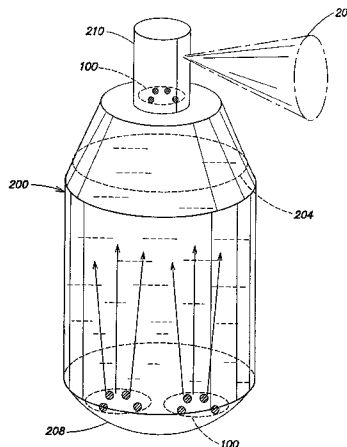
Methods and systems for generating one or more scents in conjunction with light. Light of various colors, including dynamic lighting effects, may be generated such that at least one characteristic of the light may be based at least in part on one or more characteristics of a scent or scents, and/or proximate environmental conditions. In one example, one or more LED-based light sources are employed together with a scent-producing facility in a conventional household product (e.g., an integrated air-freshener/LED night light, an LED-simulated candle with scent, etc.).

(56) **References Cited**

U.S. PATENT DOCUMENTS

1,389,132 A 8/1921 Galavan
2,909,097 A 10/1959 Alden et al.
3,318,185 A 5/1967 Kott
3,561,719 A 2/1971 Grindle

20 Claims, 15 Drawing Sheets



U.S. PATENT DOCUMENTS					
3,760,174 A	9/1973	Boenning et al.	4,863,223 A	9/1989	Weissenbach et al.
3,818,216 A	6/1974	Larraburu	4,870,325 A	9/1989	Kazar
3,832,503 A	8/1974	Crane	4,874,320 A	10/1989	Freed et al.
3,858,086 A	12/1974	Anderson et al.	4,887,074 A	12/1989	Simon et al.
3,909,670 A	9/1975	Wakamatsu et al.	4,922,154 A	5/1990	Cacoub
3,924,120 A	12/1975	Cox, III	4,934,852 A	6/1990	Havel
3,958,885 A	5/1976	Stockinger et al.	4,962,687 A	10/1990	Belliveau et al.
3,974,637 A	8/1976	Bergey et al.	4,965,561 A	10/1990	Havel
4,001,571 A	1/1977	Martin	4,973,835 A	11/1990	Kurosu et al.
4,054,814 A	10/1977	Fegley et al.	4,979,081 A	12/1990	Leach et al.
4,070,568 A	1/1978	Gala	4,980,806 A	12/1990	Taylor et al.
4,082,395 A	4/1978	Donato et al.	4,992,704 A	2/1991	Stinson
4,096,349 A	6/1978	Donato	5,003,227 A	3/1991	Nilssen
4,241,295 A	12/1980	Williams, Jr.	5,008,595 A	4/1991	Kazar
4,271,408 A	6/1981	Teshima et al.	5,008,788 A	4/1991	Palinkas
4,272,689 A	6/1981	Crosby et al.	5,010,459 A	4/1991	Taylor et al.
4,273,999 A	6/1981	Pierpoint	5,027,262 A	6/1991	Freed
4,298,869 A	11/1981	Okuno	5,034,807 A	7/1991	Von Kohorn
4,329,625 A	5/1982	Nishizawa et al.	5,036,248 A	7/1991	McEwan et al.
4,339,788 A	7/1982	White et al.	5,038,255 A	8/1991	Nishihashi et al.
4,342,947 A	8/1982	Bloyd	5,072,216 A	12/1991	Grange
4,360,804 A	11/1982	Okura	5,078,039 A	1/1992	Tulk et al.
4,367,464 A	1/1983	Kurahashi et al.	5,083,063 A	1/1992	Brooks
4,388,567 A	6/1983	Yamazaki et al.	5,089,748 A	2/1992	Ihms
4,388,589 A	6/1983	Molldrem, Jr.	5,122,733 A	6/1992	Havel
4,392,187 A	7/1983	Bornhorst	5,126,634 A	6/1992	Johnson
4,394,600 A	7/1983	Flannagan	5,128,595 A	7/1992	Hara
4,420,711 A	12/1983	Takahashi et al.	5,130,909 A	7/1992	Gross
4,455,562 A	6/1984	Dolan et al.	5,134,387 A	7/1992	Smith et al.
4,500,796 A	2/1985	Quin	5,142,199 A	8/1992	Elwell
4,515,295 A	5/1985	Dougherty	5,154,641 A	10/1992	McLaughlin
4,559,480 A	12/1985	Nobs	5,161,879 A	11/1992	McDermott
4,581,612 A	4/1986	Jones	5,164,715 A	11/1992	Kashiwabara et al.
4,581,655 A	4/1986	Ide et al.	5,184,114 A	2/1993	Brown
4,597,033 A	6/1986	Meggs et al.	5,194,854 A	3/1993	Havel
4,612,720 A	9/1986	Manners-Smith et al.	5,209,560 A	5/1993	Taylor et al.
4,622,881 A	11/1986	Rand	5,225,765 A	7/1993	Callahan et al.
4,625,152 A	11/1986	Nakai	5,226,723 A	7/1993	Chen
4,635,052 A	1/1987	Aoike et al.	5,226,723 A	7/1993	Chen
4,644,342 A	2/1987	Abbas	5,254,910 A	10/1993	Yang
4,647,217 A	3/1987	Havel	5,256,948 A	10/1993	Boldin et al.
4,654,629 A	3/1987	Bezos et al.	5,278,542 A	1/1994	Smith et al.
4,656,398 A	4/1987	Michael et al.	5,282,121 A	1/1994	Bornhorst et al.
4,668,895 A	5/1987	Schneiter	5,283,517 A	2/1994	Havel
4,675,575 A	6/1987	Smith et al.	5,287,352 A	2/1994	Jackson et al.
4,682,079 A	7/1987	Sanders et al.	5,294,865 A	3/1994	Haraden
4,686,425 A	8/1987	Havel	5,298,871 A	3/1994	Shimohara
4,687,340 A	8/1987	Havel	5,301,090 A	4/1994	Hed
4,688,154 A	8/1987	Nilssen	5,307,295 A	4/1994	Taylor et al.
4,688,869 A	8/1987	Kell	5,329,431 A	7/1994	Taylor et al.
4,695,769 A	9/1987	Schweickardt	5,350,977 A	9/1994	Hamamoto et al.
4,701,669 A	10/1987	Head et al.	5,357,170 A	10/1994	Luchaco et al.
4,705,406 A	11/1987	Havel	5,371,618 A	12/1994	Tai et al.
4,707,141 A	11/1987	Havel	5,374,876 A	12/1994	Horibata et al.
4,720,709 A	1/1988	Imanura et al.	5,375,043 A	12/1994	Tokunaga
4,727,289 A	2/1988	Uchida	5,381,074 A	1/1995	Rudzewicz et al.
4,740,882 A	4/1988	Miller	5,388,357 A	2/1995	Malita
4,753,148 A	6/1988	Johnson	5,402,702 A	4/1995	Hata
4,771,274 A	9/1988	Havel	5,404,282 A	4/1995	Klinke et al.
4,780,621 A	10/1988	Bartleucci et al.	5,406,176 A	4/1995	Sugden
4,782,336 A	11/1988	Bailey	5,410,328 A	4/1995	Yoksa et al.
4,794,383 A	12/1988	Havel	5,412,284 A	5/1995	Moore et al.
4,818,072 A	4/1989	Mohebban	5,412,552 A	5/1995	Fernandes
4,824,269 A	4/1989	Havel	5,420,482 A	5/1995	Phares
4,833,542 A	5/1989	Hara et al.	5,421,059 A	6/1995	Leffers, Jr.
4,837,565 A	6/1989	White	5,432,408 A	7/1995	Matsuda et al.
4,843,627 A	6/1989	Stebbins	5,436,535 A	7/1995	Yan
4,845,481 A	7/1989	Havel	5,436,853 A	7/1995	Shimohara
4,845,745 A	7/1989	Havel	5,450,301 A	9/1995	Waltz et al.
4,857,801 A	8/1989	Farrell	5,461,188 A	10/1995	Drago et al.
4,858,088 A	8/1989	Agabekov	5,463,280 A	10/1995	Johnson
			5,465,144 A	11/1995	Parker et al.
			5,475,300 A	12/1995	Havel
			5,489,827 A	2/1996	Xia

5,491,402 A	2/1996	Small	6,095,661 A	8/2000	Lebens et al.
5,493,183 A	2/1996	Kimball	6,097,352 A	8/2000	Zavracky et al.
5,504,395 A	4/1996	Johnson et al.	6,104,414 A	8/2000	Odryna et al.
5,519,496 A	5/1996	Borgert et al.	6,127,783 A	10/2000	Pashley et al.
5,545,950 A	8/1996	Cho	6,132,072 A	10/2000	Turnbull et al.
5,559,681 A	9/1996	Duarte	6,135,604 A	10/2000	Lin
5,561,346 A	10/1996	Byrne	6,150,774 A	11/2000	Mueller et al.
5,575,459 A	11/1996	Anderson	6,158,882 A	12/2000	Bischoff, Jr.
5,575,554 A	11/1996	Guritz	6,166,496 A	12/2000	Lys et al.
5,592,051 A	1/1997	Korkala	6,175,342 B1	1/2001	Nicholson et al.
5,607,227 A	3/1997	Yasumoto et al.	6,177,761 B1	1/2001	Pelka et al.
5,614,788 A	3/1997	Mullins et al.	6,181,126 B1	1/2001	Havel
5,621,282 A	4/1997	Haskell	6,183,086 B1	2/2001	Neubert
5,621,603 A	4/1997	Adamec et al.	6,183,104 B1	2/2001	Ferrara
5,633,629 A	5/1997	Hockstem	6,184,628 B1	2/2001	Ruthenber
5,634,711 A	6/1997	Kennedy et al.	6,196,471 B1	3/2001	Ruthenber
5,640,061 A	6/1997	Bornhorst et al.	6,211,626 B1	4/2001	Lys et al.
5,642,129 A	6/1997	Zavracky et al.	6,215,409 B1	4/2001	Blach
5,653,529 A	8/1997	Socharski	6,237,290 B1	5/2001	Tokomoto et al.
5,656,935 A	8/1997	Havel	6,250,774 B1	6/2001	Begemann et al.
5,673,059 A	9/1997	Zavracky et al.	6,252,358 B1	6/2001	Xydis et al.
5,684,309 A	11/1997	McIntosh et al.	6,273,338 B1	8/2001	White
5,688,042 A	11/1997	Madadi et al.	6,283,612 B1	9/2001	Hunter
5,701,058 A	12/1997	Roth	6,292,901 B1	9/2001	Lys et al.
5,712,650 A	1/1998	Barlow	6,310,590 B1	10/2001	Havel
5,721,471 A	2/1998	Begemann et al.	6,314,669 B1	11/2001	Tucker
5,734,590 A	3/1998	Tebbe	6,323,832 B1	11/2001	Nishizawa et al.
5,751,118 A	5/1998	Mortimer	6,329,764 B1	12/2001	van de Ven
5,752,766 A	5/1998	Bailey et al.	6,330,111 B1	12/2001	Myers
5,769,527 A	6/1998	Taylor et al.	6,331,915 B1	12/2001	Myers
5,784,006 A	7/1998	Hockstein	6,340,868 B1	1/2002	Lys et al.
5,790,329 A	8/1998	Klaus et al.	6,357,893 B1	3/2002	Belliveau
5,796,376 A	8/1998	Banks	6,361,186 B1	3/2002	Slayden
5,803,579 A	9/1998	Turnbull et al.	6,369,525 B1	4/2002	Chang et al.
5,808,689 A	9/1998	Small	6,371,637 B1	4/2002	Atchinson et al.
5,812,105 A	9/1998	Van de Ven	6,379,209 B1	4/2002	Tucker
5,821,695 A	10/1998	Vilanilam et al.	6,445,139 B1	9/2002	Marshall et al.
5,836,676 A	11/1998	Ando et al.	6,448,550 B1	9/2002	Nishimura
5,848,837 A	12/1998	Gustafson	6,459,919 B1	10/2002	Lys et al.
5,850,126 A	12/1998	Kanbar	6,476,779 B1	11/2002	Yano et al.
5,851,063 A	12/1998	Doughty et al.	6,495,964 B1	12/2002	Muthu et al.
5,852,658 A	12/1998	Knight et al.	6,528,954 B1	3/2003	Mueller et al.
5,854,542 A	12/1998	Forbes	6,540,373 B2	4/2003	Bailey
RE36,030 E	1/1999	Nadeau	6,543,164 B1	4/2003	Sperl et al.
5,859,508 A	1/1999	Ge et al.	6,548,967 B1	4/2003	Dowling et al.
5,896,010 A	4/1999	Mikolajczak et al.	6,550,952 B1	4/2003	Hulse et al.
5,900,850 A	5/1999	Bailey et al.	6,551,282 B1	4/2003	Exline et al.
5,907,742 A	5/1999	Johnson et al.	6,558,021 B2	5/2003	Wu et al.
5,912,653 A	6/1999	Fitch	6,561,690 B2	5/2003	Balestriero et al.
5,924,784 A	7/1999	Chliwnyj et al.	6,566,824 B2	5/2003	Panagotacos et al.
5,927,845 A	7/1999	Gustafson et al.	6,568,834 B1	5/2003	Scianna
5,946,209 A	8/1999	Eckel et al.	6,577,080 B2	6/2003	Lys et al.
5,949,581 A	9/1999	Kurtenbach et al.	6,582,103 B1	6/2003	Popovich et al.
5,952,680 A	9/1999	Strite	6,592,238 B2	7/2003	Cleaver et al.
5,959,547 A	9/1999	Tubel et al.	6,596,977 B2	7/2003	Muthu et al.
5,961,201 A	10/1999	Gismondi	6,603,243 B2	8/2003	Parkyn et al.
5,963,185 A	10/1999	Havel	6,608,453 B2	8/2003	Morgan et al.
5,974,553 A	10/1999	Gandar	6,624,597 B2	9/2003	Dowling et al.
5,980,064 A	11/1999	Metroyanis	6,636,003 B2	10/2003	Rahm et al.
6,008,783 A	12/1999	Kitagawa et al.	6,639,574 B2	10/2003	Scheibe
6,016,038 A	1/2000	Mueller et al.	6,642,666 B1	11/2003	St. Germain
6,018,237 A	1/2000	Havel	6,680,579 B2	1/2004	Allen et al.
6,020,825 A	2/2000	Chansky et al.	6,683,423 B2	1/2004	Cunningham
6,025,550 A	2/2000	Kato	6,690,341 B2	2/2004	Tokimoto et al.
6,028,582 A	2/2000	Drew et al.	6,693,385 B2	2/2004	Koyama
6,031,343 A	2/2000	Recknagel et al.	6,704,989 B1	3/2004	Lutz et al.
6,056,420 A	5/2000	Wilson et al.	6,707,389 B2	3/2004	Pederson
6,068,383 A	5/2000	Robertson et al.	6,717,376 B2	4/2004	Lys et al.
6,069,595 A	5/2000	Tokimoto	6,720,745 B2	4/2004	Mueller et al.
6,069,597 A	5/2000	Hansen	6,749,310 B2	6/2004	Pohlert
6,072,280 A	6/2000	Allen	6,781,329 B2	8/2004	Mueller et al.
6,074,074 A	6/2000	Marcus	2001/0033488 A1	10/2001	Chliwnyj' et al.
6,092,915 A	7/2000	Rensch	2002/0038157 A1	3/2002	Dowling et al.

2002/0044066	A1	4/2002	Dowling et al.	EP	0495305	7/1992
2002/0047569	A1	4/2002	Dowling et al.	EP	0567280	10/1993
2002/0047624	A1	4/2002	Stam et al.	EP	0534710	1/1996
2002/0048169	A1	4/2002	Dowling et al.	EP	0734082	9/1996
2002/0057061	A1	5/2002	Mueller et al.	EP	0752632	1/1997
2002/0060526	A1	5/2002	Timmermans et al.	EP	0752632	8/1997
2002/0070688	A1	6/2002	Dowling et al.	EP	0823812	2/1998
2002/0074559	A1	6/2002	Dowling et al.	EP	0935234	8/1999
2002/0078221	A1	6/2002	Blackwell et al.	EP	0942631	9/1999
2002/0101197	A1	8/2002	Lys et al.	EP	1020352	7/2000
2002/0126064	A1	9/2002	Yen	EP	1113215	7/2001
2002/0130627	A1	9/2002	Morgan et al.	EP	1162400	12/2001
2002/0145394	A1	10/2002	Morgan et al.	FR	2 640 791	6/1990
2002/0145869	A1	10/2002	Dowling	FR	88 17359	12/1998
2002/0152045	A1	10/2002	Dowling et al.	GB	2045098	10/1980
2002/0153851	A1	10/2002	Morgan et al.	GB	2131589	11/1982
2002/0158583	A1	10/2002	Lys et al.	GB	2135536	8/1984
2002/0163316	A1	11/2002	Dowling et al.	GB	2176042	12/1986
2002/0171365	A1	11/2002	Morgan et al.	GB	2210720	6/1989
2002/0171377	A1	11/2002	Mueller et al.	JP	2247688	10/1990
2002/0171378	A1	11/2002	Morgan et al.	JP	03045166	2/1991
2002/0176259	A1	11/2002	Ducharme	JP	3-88205	9/1991
2002/0195975	A1	12/2002	Dowling et al.	JP	06043830	2/1994
2003/0011538	A1	1/2003	Lys et al.	JP	7-39120	7/1995
2003/0028260	A1	2/2003	Blackwell	JP	8-106264	4/1996
2003/0057884	A1	3/2003	Dowling et al.	JP	8-007611	12/1996
2003/0057886	A1	3/2003	Lys et al.	JP	9 320766	12/1997
2003/0057887	A1	3/2003	Dowling et al.	JP	10-144126	5/1998
2003/0057890	A1	3/2003	Lys et al.	JP	2000-149608	5/2000
2003/0076281	A1	4/2003	Morgan et al.	JP	2001-065033	3/2001
2003/0100837	A1	5/2003	Lys et al.	KR	1019910009	11/1991
2003/0107887	A1	6/2003	Eberl	WO	WO 89/05086	6/1989
2003/0133292	A1	7/2003	Mueller et al.	WO	WO 94/18809	8/1994
2003/0137258	A1	7/2003	Piepgas et al.	WO	WO 95/13498	5/1995
2003/0189412	A1	10/2003	Cunningham	WO	WO 96/41098	12/1996
2003/0198061	A1	10/2003	Chambers et al.	WO	WO 99/06759	2/1999
2003/0222587	A1	12/2003	Dowling et al.	WO	WO 99/30537	6/1999
2004/0032226	A1	2/2004	Lys	WO	WO 00/14705	3/2000
2004/0036006	A1	2/2004	Dowling	WO	WO 01/73818	10/2001
2004/0052076	A1	3/2004	Mueller et al.	WO	WO 02-061328	8/2002
2004/0066652	A1	4/2004	Hon			
2004/0090787	A1	5/2004	Dowling et al.			
2004/0105261	A1	6/2004	Ducharme et al.			
2004/0130909	A1	7/2004	Mueller et al.			
2005/0128743	A1	6/2005	Chuey et al.			
2007/0086199	A1	4/2007	Demarest et al.			
2007/0109782	A1	5/2007	Wolf et al.			
2007/0121319	A1	5/2007	Wolf et al.			

FOREIGN PATENT DOCUMENTS

CA	2 134 848	5/1995
CA	2 178 432	12/1996
DE	02315709	10/1974
DE	0205307	12/1983
DE	03438154	4/1986
DE	3837313	5/1989
DE	3805998	9/1989
DE	3925767	4/1990
DE	8902905	5/1990
DE	3917101	11/1990
DE	3916875	12/1990
DE	4041338	7/1992
DE	4130576	3/1993
DE	9414688	2/1995
DE	9414689	2/1995
DE	4419006	12/1995
DE	29607270	8/1996
DE	19525987	10/1996
DE	29620583	3/1997
DE	19651140	6/1997
DE	19602891	7/1997
EP	0482680	4/1992

OTHER PUBLICATIONS

- “DS96177 RS-485-RS-422 Differential Bus Repeater”, National Semiconductor Corporation, Feb. 1996, pp. 1-8.
- “DS2003—DA9667—DS2004 High Current—Voltage Darlington Drivers”, National Semiconductor Corporation, Dec. 1995, pp. 1-8.
- “LM140A—LM140—LM340A—LM78000 Series 3—Terminal Positive Regulators”, National Semiconductor Corporation, Jan. 1995, pp. 1-14.
- High End Systems, Inc., Trackspot User Manual, Aug. 1997, Excerpts (Cover, Title page, pp. ii through iii and 2-13 through 2-14).
- Artistic License, AL4000 DMX512 Processors, Revision 3.4, Jun. 2000, Excerpts (Cover, pp. 7,92 through 102).
- Artistic License, Miscellaneous Drawings (3 sheets) Jan. 12, 1995.
- Artistic License, Miscellaneous Documents (2 sheets Feb. 1995 and Apr. 1996).
- Newnes’s Dictionary of Electronics, Fourth Edition, S.W. Amos, et al., Preface to First Edition, pp. 278-279.
- “http:—www.luminus.cx-projects-chaser”, (Nov. 13, 2000), pp. 1-16.
- Hewlett Packard Components, “Solid State Display and Optoelectronics Designer’s Catalog,” pp. 30-43, Jul. 1973.
- INTEC Research, TRACKSPOT, <http:—www.intec-research.com-trackspot.htm>, pp. 1-4, Apr. 24, 2003.
- SHARP, Optoelectronics Data Book, pp. 1096-1097, 1994-1995.
- About DMX-512 Lighting Protocol—Pangolin Laser Systems, pp. 1-4, Apr. 7, 2003.
- Avitec Licht Design ’89-90, pp. 1-4.
- Dr. Ing, Ulrich Tietze, Dr. Ing, Christoph Schenk, pp. 566-569.
- Case No. 6:02-cv-270-ORL-I9JGG in the United States District Court, Middle District of Florida, Orlando Division, Plaintiff’s Amended Verified Complaint.

Case No. 6:02-cv-270-ORL-I9JGG in the United States District Court, Middle District of Florida, Orlando Division, Defendant's Answer and Counterclaims.

Case No. 6:02-cv-270-ORL-I9JGG in the United States District Court, Middle District of Florida, Orlando Division, Plaintiff's Answer to Counterclaims.

Case No. 6:02-cv-270-ORL-I9JGG in the United States District Court, Middle District of Florida, Orlando Division, Plaintiff's Answers to Defendant's First Set of Interrogatories w-Exhibit 1.

Case No. 02 CV 11137MEL in the United States District Court, District of Massachusetts, Plaintiff's Complaint and Jury Demand.

Case No. 02 CV 11137MEL in the United States District Court, District of Massachusetts, Defendant's Answer and Affirmative Defenses.

Furry, Kevin and Somerville, Chuck, Affidavit, LED effects, Feb. 22, 2002, pp. 24-29.

Putman, Peter H., "The Allure of LED," *www.sromagazine.biz*, Jun.-Jul. 2002, pp. 47-52.

Bremer, Darlene, "LED Advancements Increase Potential," *www.ecmag.com*, Apr. 2002, p. 115.

Longo, Linda, "LEDS Lead the Way," *Home Lighting & Accessories*, Jun. 2002, pp. 226-234.

iLIGHT Technologies, "Explore the iLight Possibilities", <http://www.ili2ht-tech.com>, Sep. 7, 2004, 1 page.

iLIGHT Technologies, "Curved or straight in white or color", <http://www.ili2ht-tech.com/products.htm>, Sep. 7, 2004, 1 page.

iLIGHT Technologies, "Curved or straight in white or color", products_white.htm, Sep. 7, 2004, 1 page.

iLIGHT Technologies, "Curved or straight in white or color", products_color.htm, Sep. 7, 2004, 1 page.

iLIGHT Technologies, "Curved or straight in white or color", products_signs.htm, Sep. 7, 2004, 1 page.

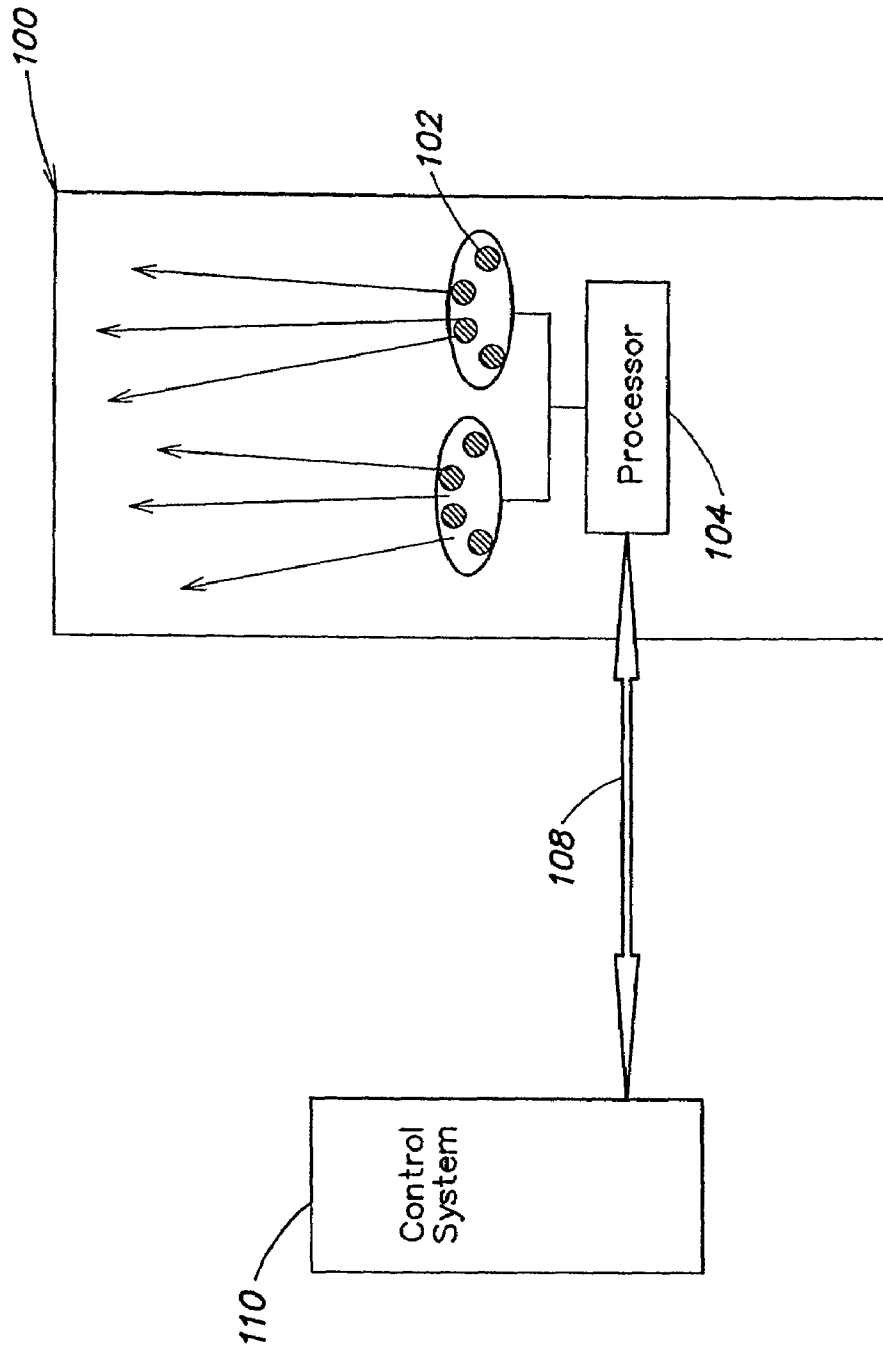


FIG. 1

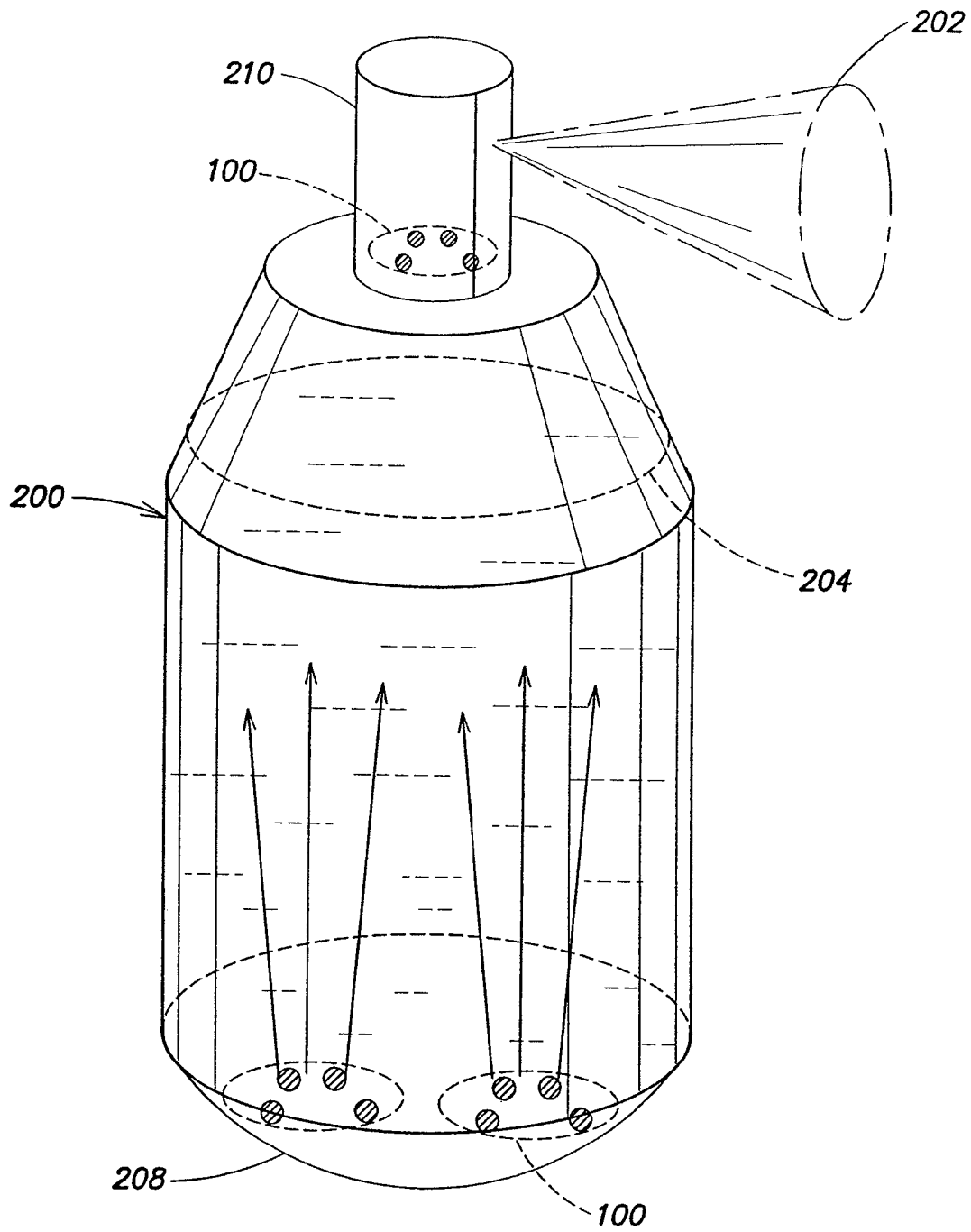


FIG. 2

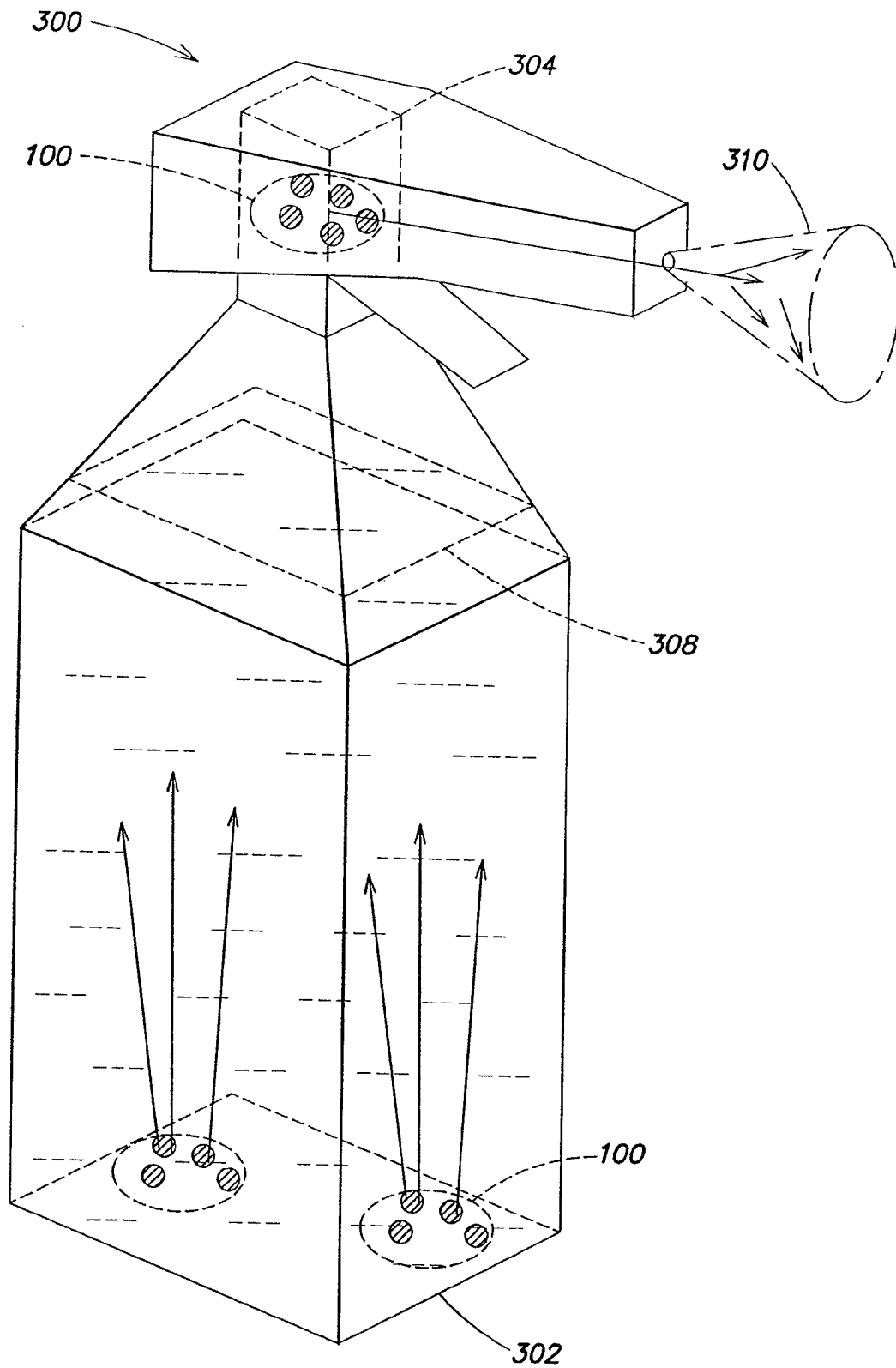


FIG. 3

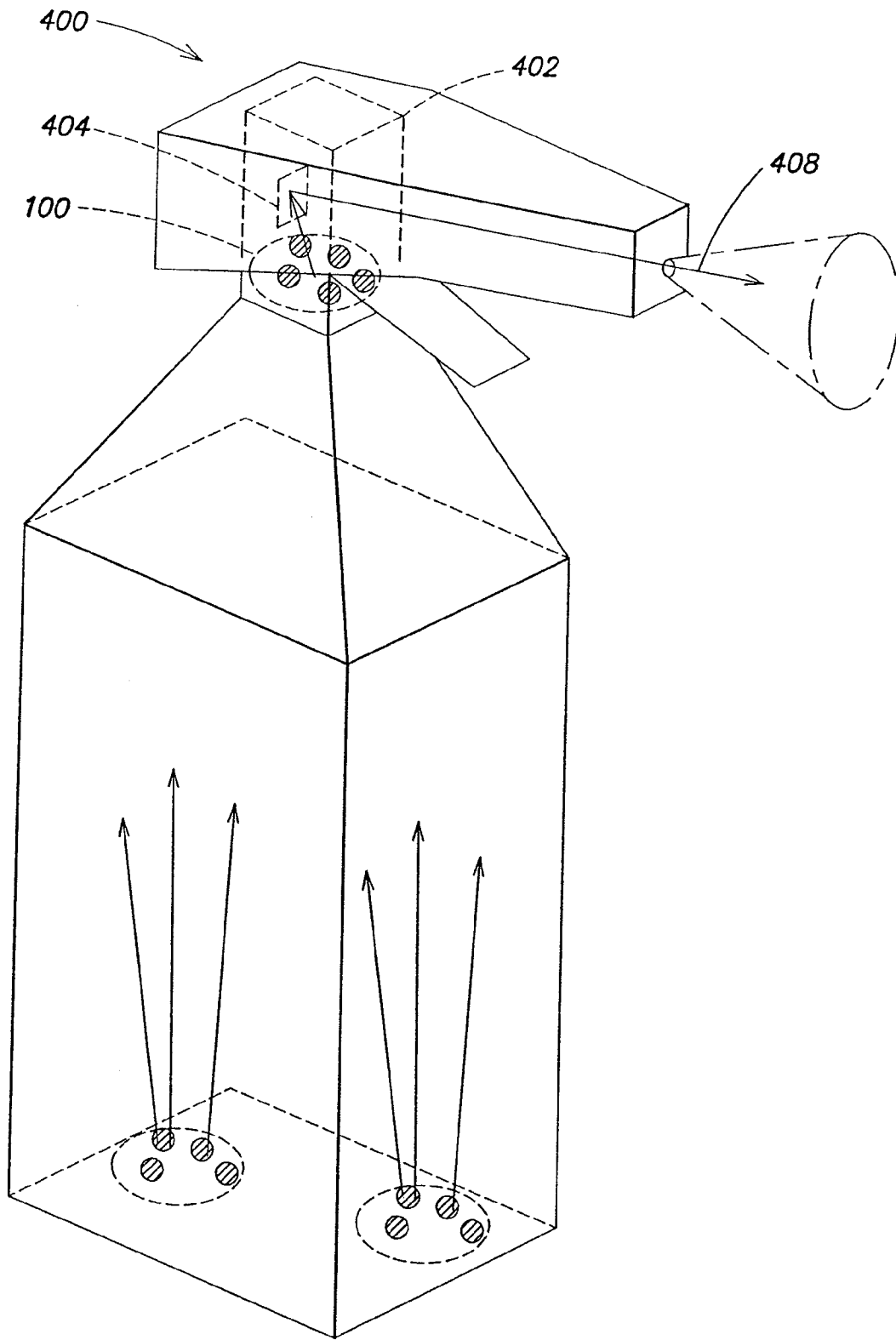


FIG. 4

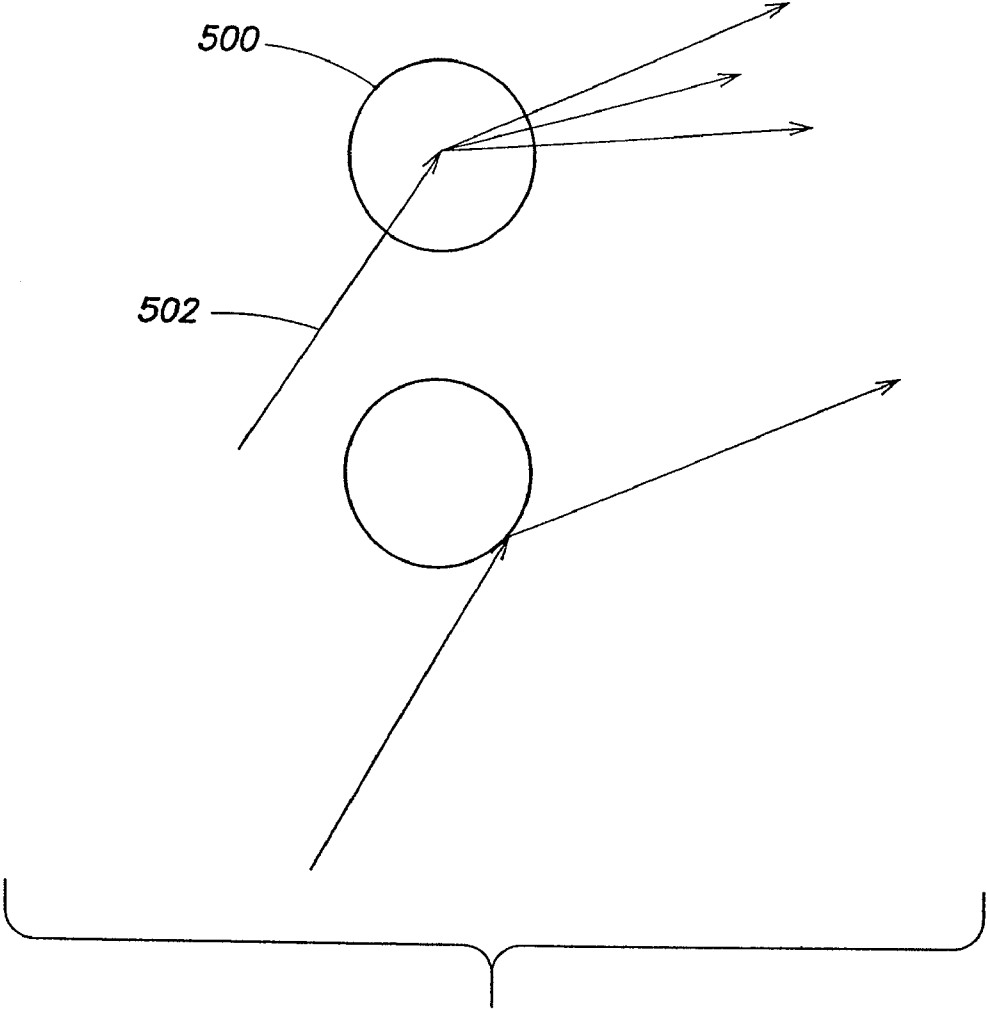


FIG. 5

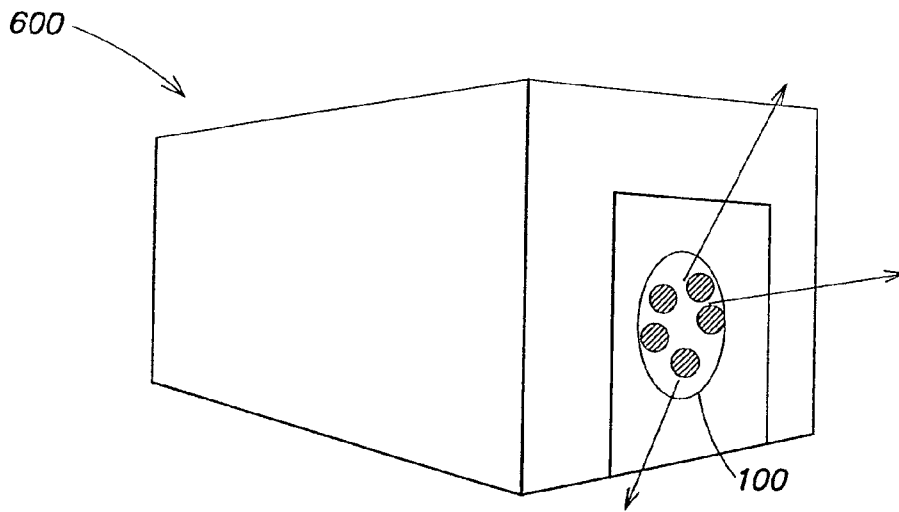


FIG. 6

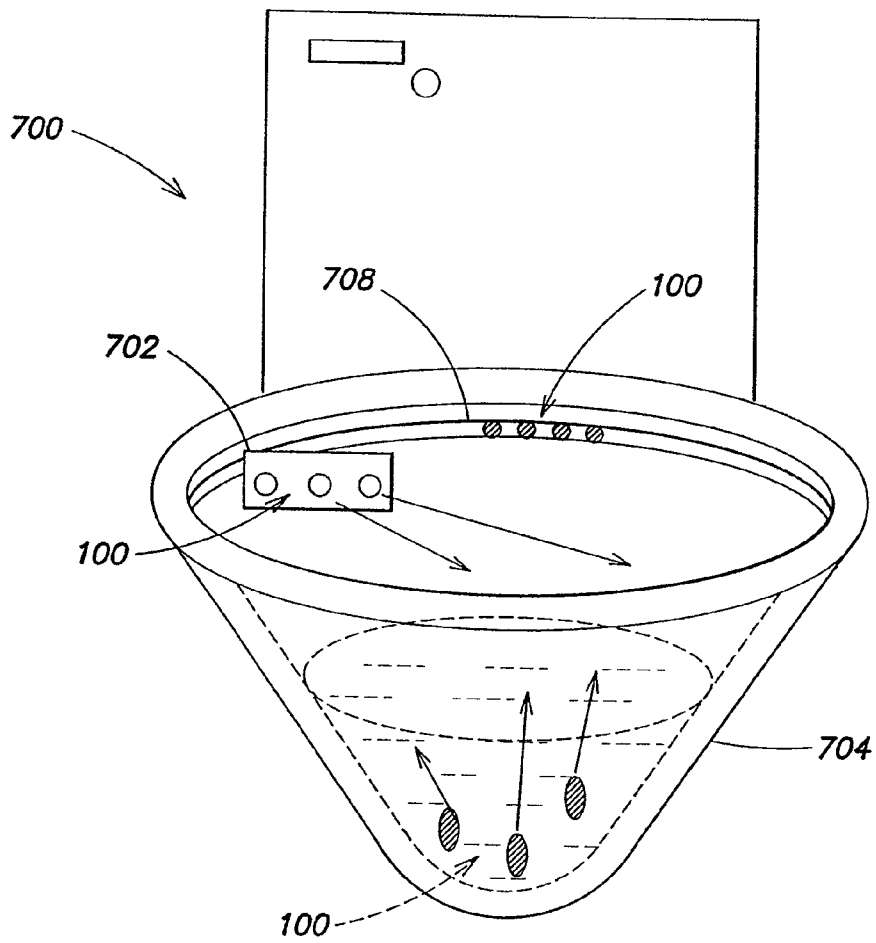


FIG. 7

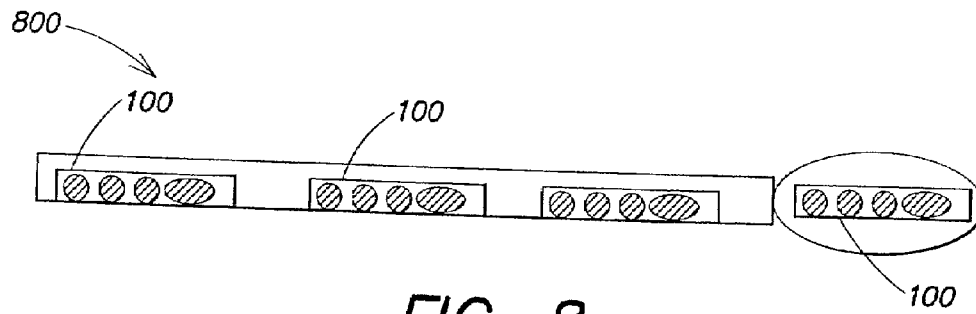


FIG. 8

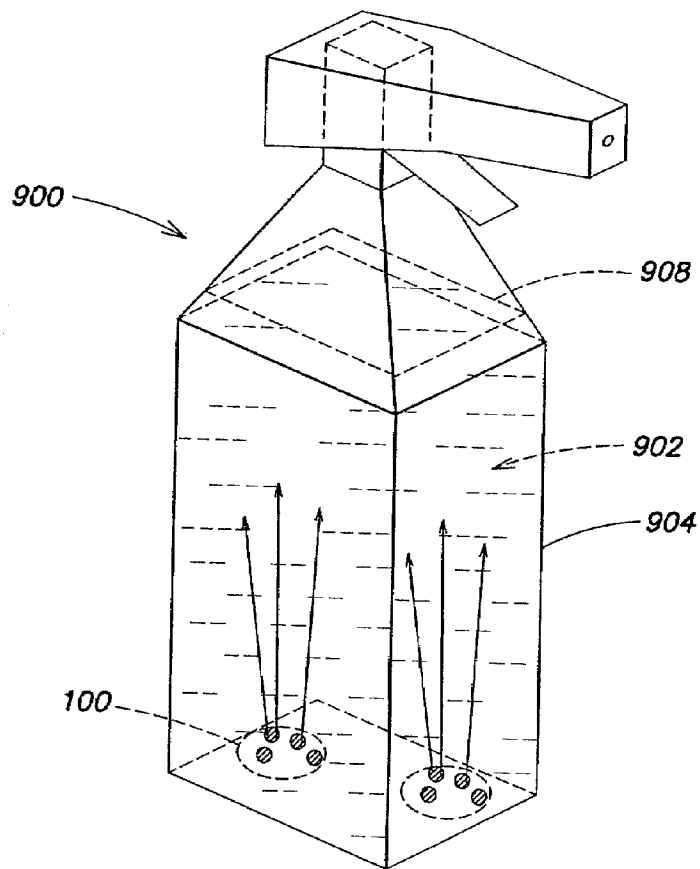


FIG. 9

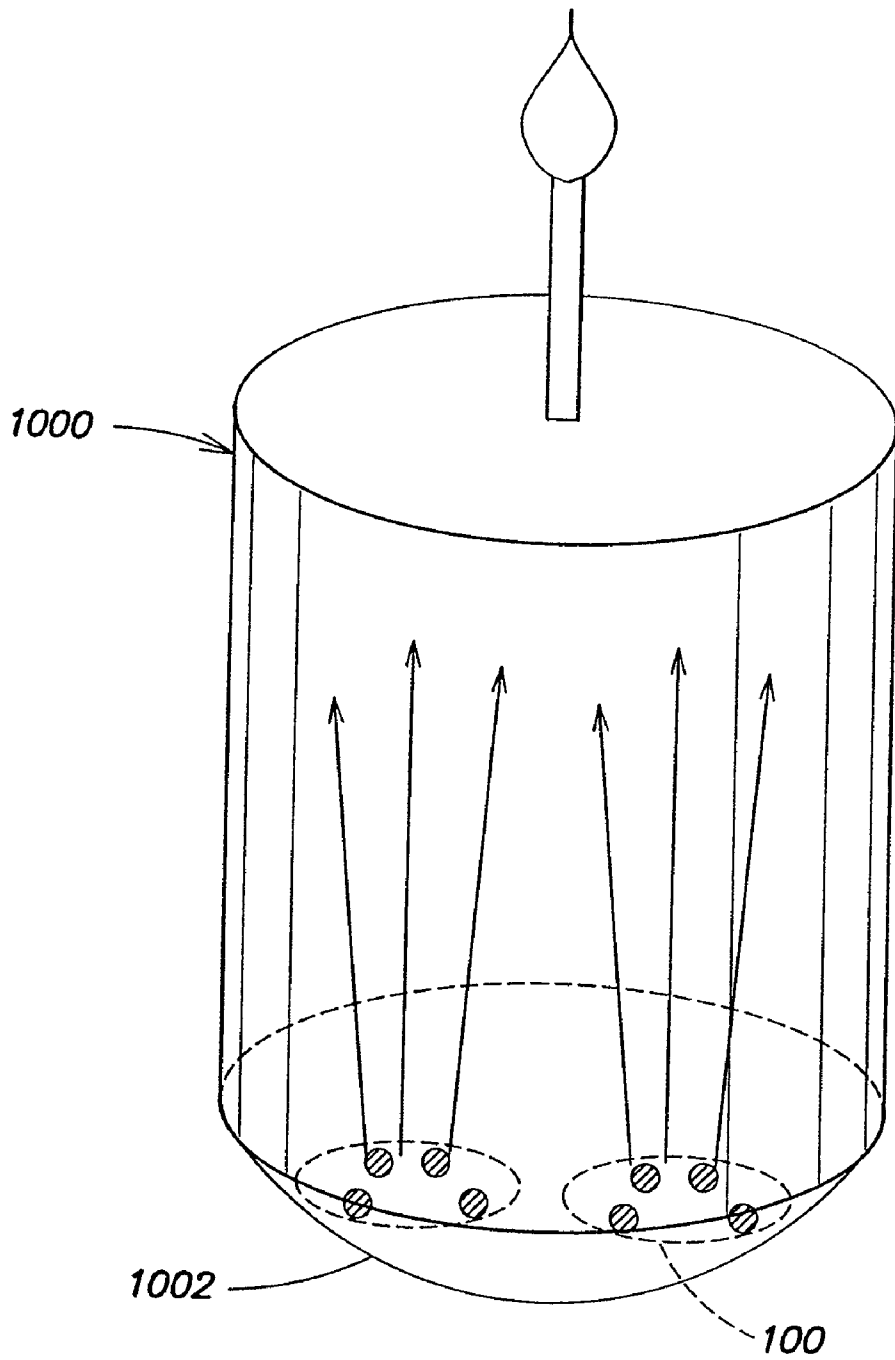


FIG. 10

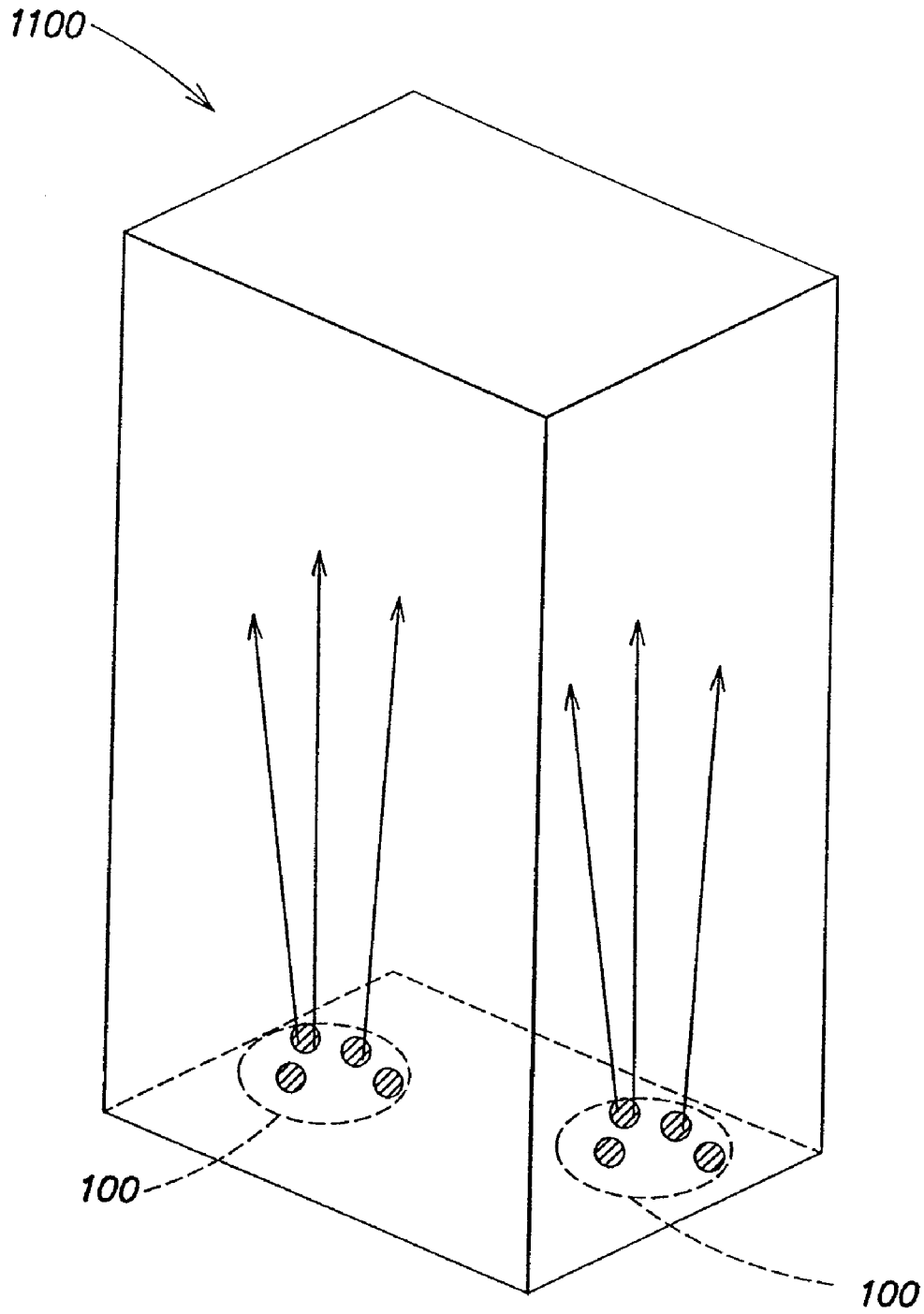


FIG. 11

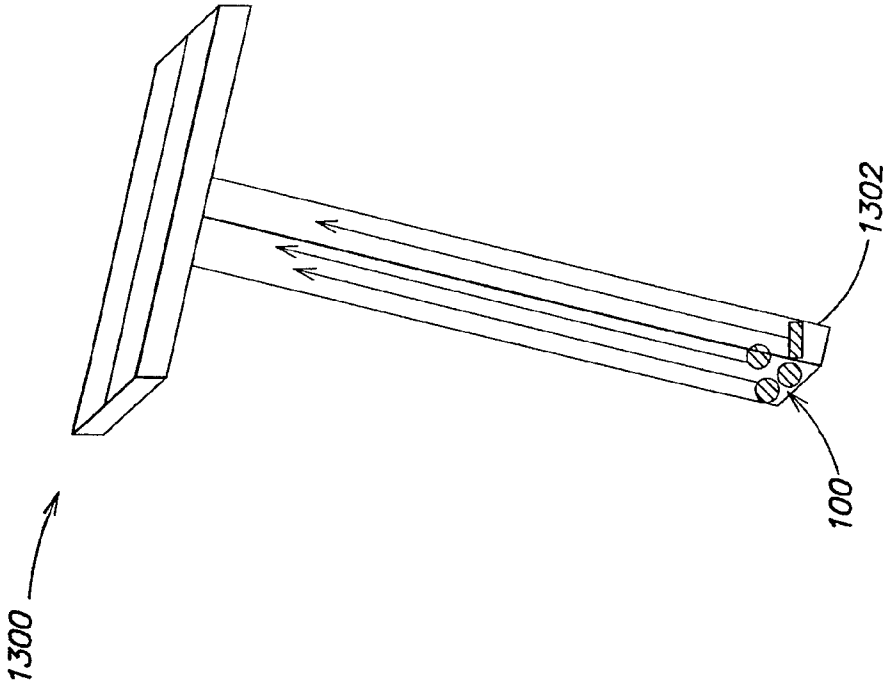


FIG. 13

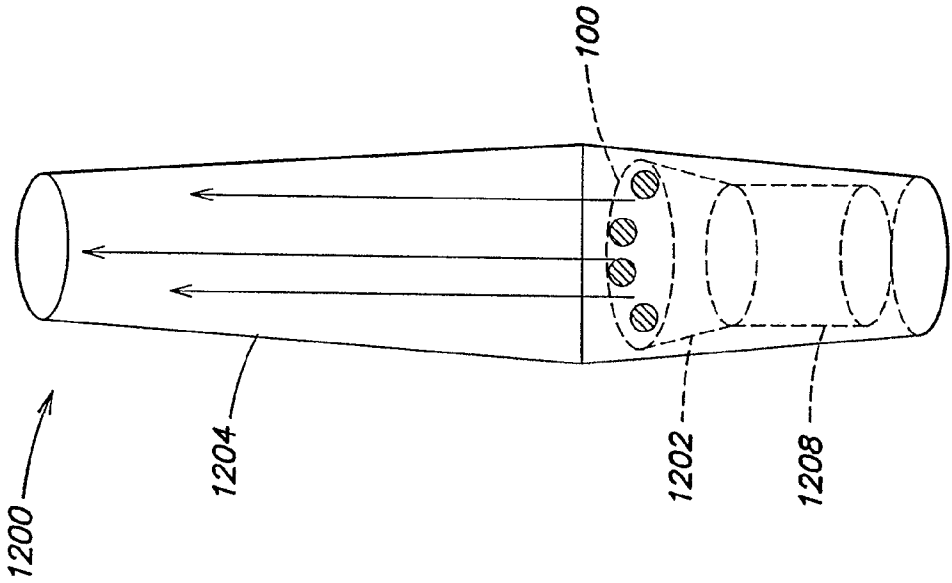


FIG. 12

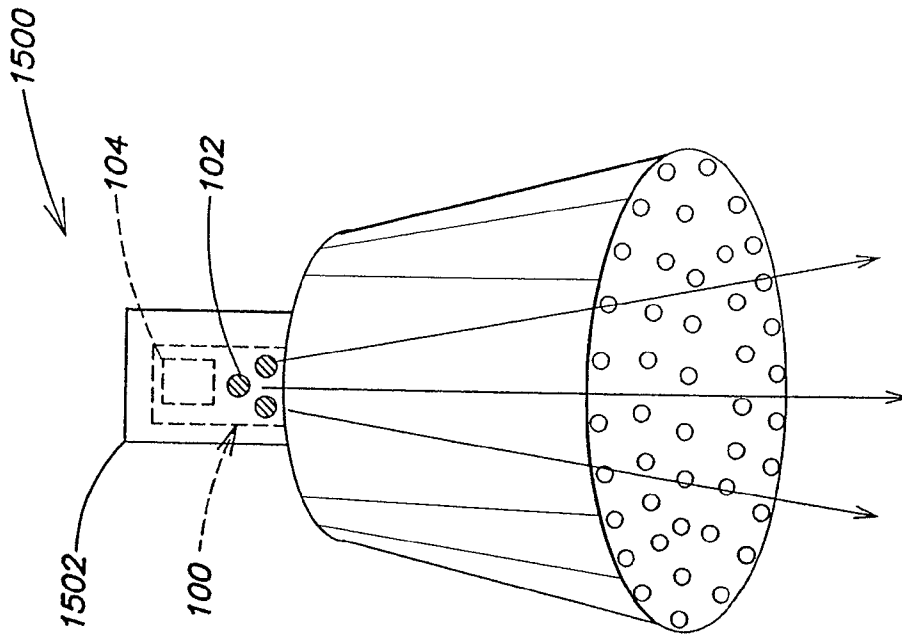


FIG. 15

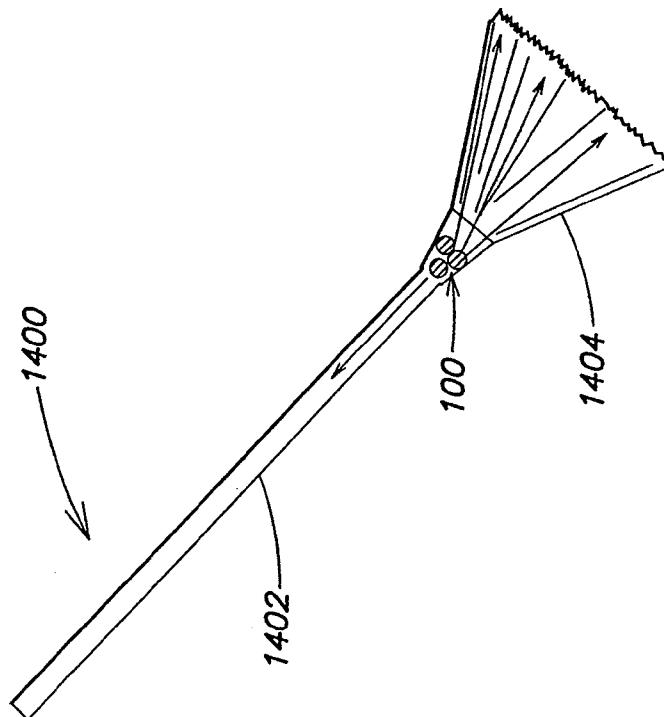


FIG. 14

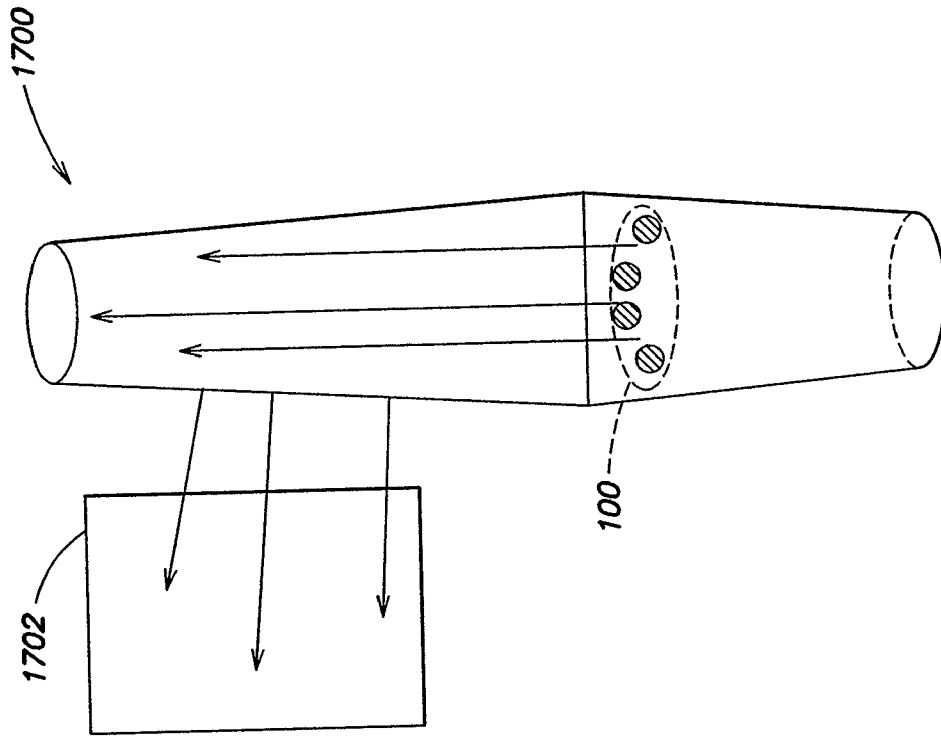


FIG. 17

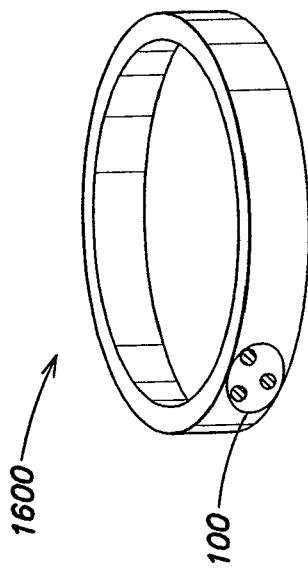


FIG. 16

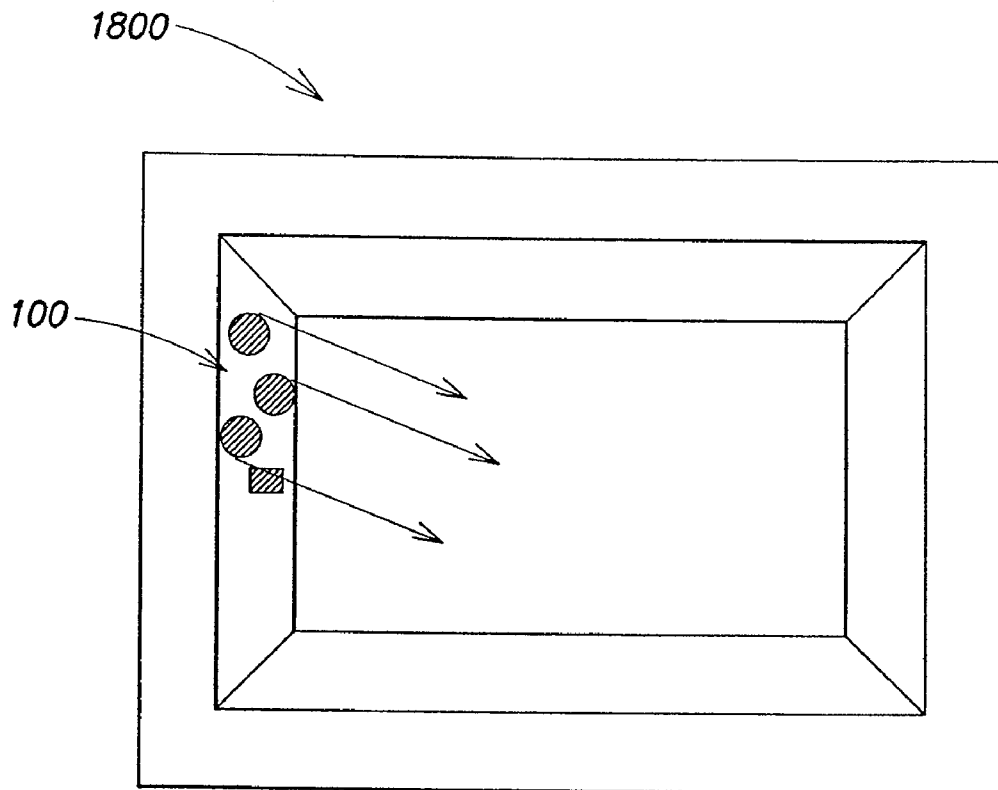


FIG. 18

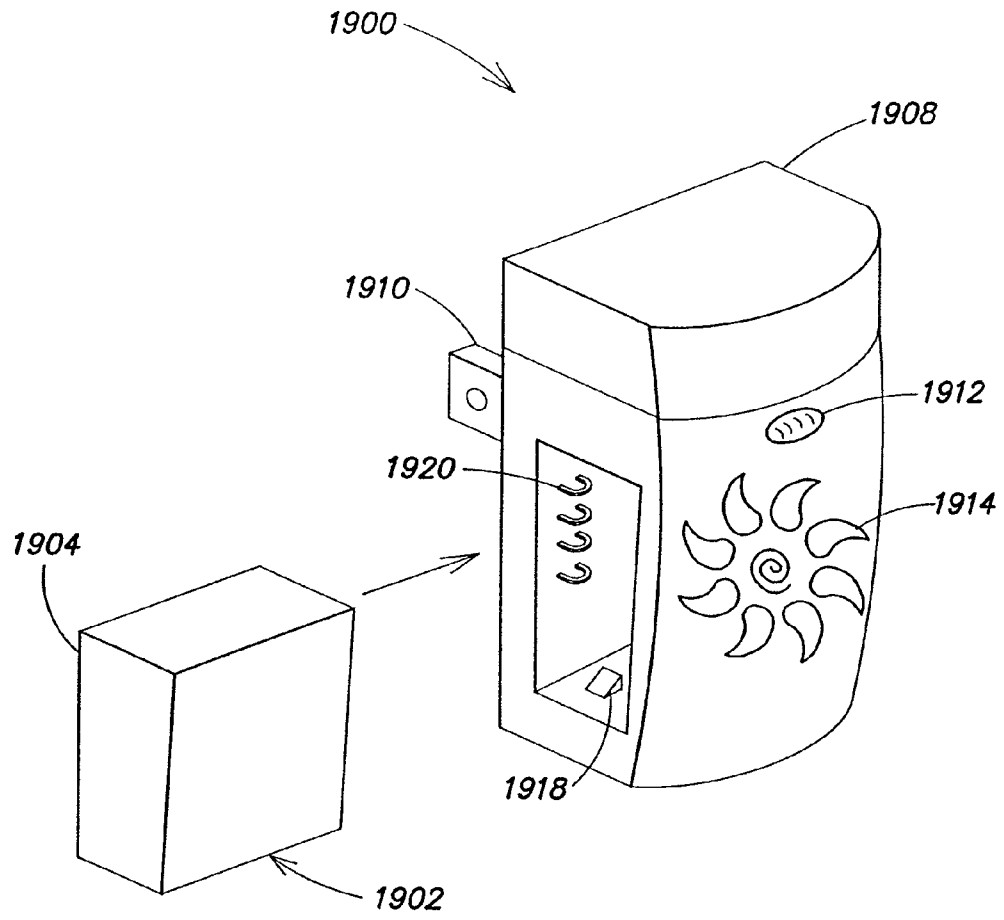


FIG. 19

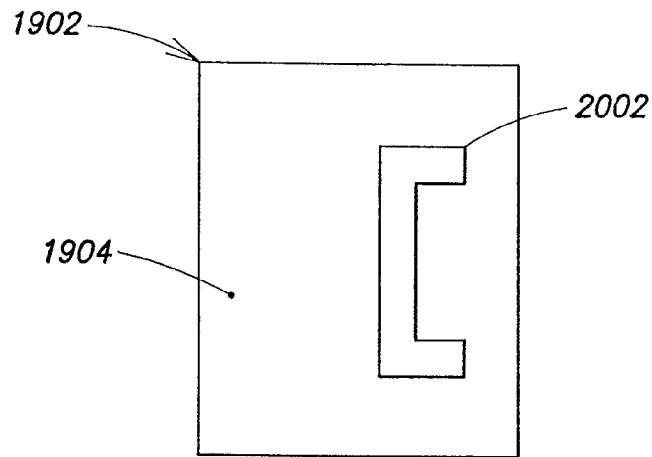


FIG. 20A

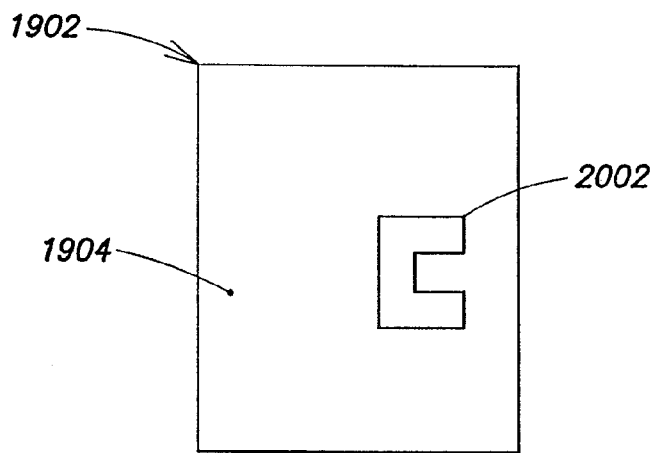


FIG. 20B

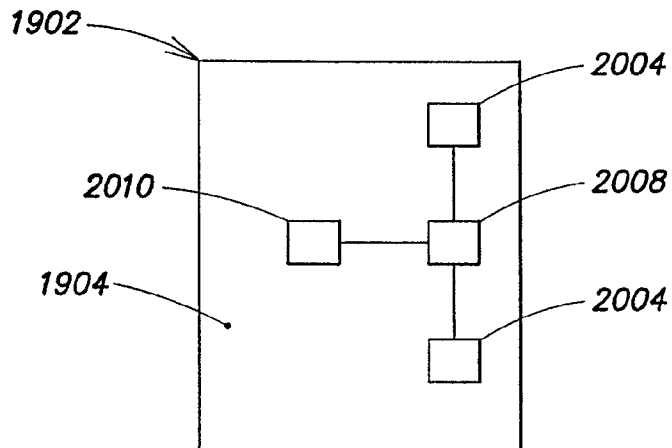


FIG. 20C

METHODS AND SYSTEMS FOR ILLUMINATING HOUSEHOLD PRODUCTS

CROSS-REFERENCES TO RELATED APPLICATIONS

This application claims the benefit, under 35 U.S.C. §120, as a continuation (CON) of U.S. Non-provisional application Ser. No. 10/656,807, filed Sep. 5, 2003, entitled "Methods and Systems for Illuminating Household Products."

Ser. No. 10/656,807 in turn claims the benefit, under 35 U.S.C. §119(e), of the following U.S. Provisional Applications: Ser. No. 60/408,309, filed Sep. 5, 2002, entitled "Methods and Systems for Illuminating Household Products;" and Ser. No. 60/452,767, filed Mar. 7, 2003, entitled "Light Emitting Diode Based Products."

Ser. No. 10/656,807 also claims the benefit, under 35 U.S.C. §120, as a continuation-in-part (CIP) of the following U.S. Non-provisional Applications:

Ser. No. 10/245,786, filed Sep. 17, 2002, entitled "Light Emitting Diode Based Products," now U.S. Pat. No. 6,965,205, which in turn claims the benefit of U.S. provisional application Ser. No. 60/353,569, filed Feb. 1, 2002, entitled "LED Systems and Methods," both of which applications are hereby incorporated herein by reference, and

Ser. No. 10/325,635, filed Dec. 19, 2002, entitled "Controlled Lighting Methods and Apparatus," which application also is hereby incorporated herein by reference, and which application is a continuation-in-part of Ser. No. 09/716,819, filed Nov. 20, 2000, entitled "Systems and Methods for Generating and Modulating Illumination Conditions," now U.S. Pat. No. 7,014,336, which in turn claims priority to U.S. provisional application Ser. No. 60/235,678, filed Sep. 27, 2000, entitled "Ultraviolet Light Emitting Diode Device."

Each of the above-identified applications/patent is hereby incorporated herein by reference.

BACKGROUND

Lighting elements often are used to illuminate a variety of consumer products, including wearable accessories, novelty items, or the like. Existing illuminated products, however, are generally only capable of exhibiting fixed illumination with one or more light sources. An existing wearable accessory, for example, might utilize a single white-light bulb as an illumination source, with the white-light shining through a transparent colored material. Such accessories only exhibit an illumination of a single type (a function of the color of the transparent material) or at best, by varying the intensity of the bulb output, a single-colored illumination with some range of controllable brightness. Other existing systems, to provide a wider range of colored illumination, may utilize a combination of differently colored bulbs. Such accessories, however, remain limited to a small number of different colored states.

SUMMARY

Applicants have generally recognized and appreciated that a variety of consumer products, including but not limited to household products and items, appliances and equipment associated with appliances, wearable accessories, novelty items, toys, games and the like may benefit from improved color illumination processing, and/or networking attributes. High-brightness LEDs, combined with a processor for control, can produce a variety of pleasing effects for display and illumination. Accordingly, one embodiment of the present invention relates to using high-brightness, processor-con-

trolled LEDs in combination with diffuse materials to produce color-changing effects in connection with a variety of consumer products, including household items.

Methods and systems are provided for illuminating a fluid household product. The methods and systems include providing a container for the fluid household product, providing a light system in operative connection with the container, the light system comprising a light and a processor and being capable of producing illumination of a plurality of colors under control of the processor, and illuminating the fluid using the light system. The light system can illuminate a spray of fluid coming from the container. The light systems can illuminate fluids in transparent containers. The light systems can illuminate packaging for a household product.

A wide range of household products can benefit from methods and systems for color changing illumination.

Methods and systems are provided herein for illuminating packaging, including packaging for household products.

Methods and systems are provided herein for illuminating fluids, including liquids, visible gases and vapors, including all of those present in household products and household facilities, such as household water systems.

Methods and systems are provided herein for illuminating chemicals.

Methods and systems are provided herein for illuminating chemical household products.

Methods and systems are provided herein for illuminating products, including household products.

Methods and systems are provided herein for providing illumination for household products. Embodiments include a light system under the control of a processor for providing illumination of a selected color and disposing the illumination system in proximity to the household product to light a feature of the household product. In embodiments the product includes a container, such as a spray container, with the light system placed in the bottom of the container, the neck of the container, the interior of the container, the top of the container, or the nozzle of the container. The container may contain a fluid, such as water, ammonia, bleach, window cleaner, insect repellent, insect killer, lotion, soap, liquid soap, kitchen cleaner, bathroom cleaner, shaving gel, cleaning fluid, lighter fluid, furniture polish, wood treatment, paint, primer, drain cleaner, disinfectant, room deodorizer, carpet deodorizer, room scent, perfume, cologne, shaving foam, toilet cleaner, aerosol, skin care fluid, suntan lotion, shampoo, surface cleaner, and liquid wax. In embodiments the light system changes the color of the fluid in response to the processor. In embodiments the light system illuminates the spray of fluid coming from the container. In embodiments the spray produces a rainbow effect. In embodiments, the color of light changes in response to the processor. The container may be an aerosol can. Color changes may include different color temperatures of white light.

In embodiments, the household product may be a pencil, a pen, a fork, a knife, a spoon, a kitchen utensil, a whisk, a broom, a bottle, a glass, a mug, a coffee maker, a toothpaste tube, a dispenser, a shampoo bottle, a soap holder, a razor, an electric razor, a hair dryer, a picture frame, a marker, a jar, a makeup facility, a perfume dispenser, a brush, a lipstick, a candle or another household product.

In embodiments the processor changes light to indicate data related to the product, such as data about freshness or efficacy. The processor may respond to a network, including to addressable data. The processor may respond to a sensor.

Methods and systems may further include an optical facility for directing light, such as a lens, a mirror, a liquid lens, a spinning mirror, a fresnel lens, a convex lens, a concave lens, a fiber optic, and a light pipe.

Methods and systems are provided for insect control, including methods and systems for providing a light system with a plurality of LEDs and a processor for controlling a color of light from the LEDs; and providing an insect control facility in connection with the light system. The insect control facility can be a roach motel, a flypaper, a mosquito net, a tiki torch, a mosquito coil, a bug zapper, a deck light, a pool light or other facility. The processor can be used to control the light system to produce light of a selected frequency, including white light frequencies, such as to attract or repel selected insects. The insect control facility can be configured as a wand that contains the light system and that sprays insect spray.

Illumination methods and systems are provided herein for illuminating toilets, razors, brooms, animal collars, toothbrushes, candles, showerheads, and other household items.

Methods and systems are provided for illuminating an appliance, such as a faucet, a shower, a tub, a sink, an appliance, a refrigerator, an oven, a microwave, a counter, a drawer, a cabinet, a floor, a ceiling, a wall, a chair, a desk, a table, a washer, a dryer, a mixer, a blender, and a toaster. In embodiments, the light system responds to a sensor associated with the appliance, such as a heat sensor, such as to indicate that the appliance is hot.

Methods and systems are provided for packaging merchandise, including methods and systems for providing a light system with a plurality of LEDs and a processor for controlling a color of light from the LEDs and for disposing the light system in connection with packaging for an item of merchandise. In embodiments the packaging is a can, a container, a box, a package, or a shrinkwrap package. In embodiments, the merchandise is a household cleaner, a wax, a shampoo, a soap, a razor, a toothbrush, a light bulb or skin care product.

Methods and systems are provided for illuminating chemicals, including methods and systems for providing a light system with a plurality of LEDs and a processor for controlling a color of light from the LEDs and for lighting the chemical with the light system, wherein the light interacts with the chemical to create an effect. In embodiments the effect is generated by a luminescent facility of the chemical. In embodiments the effect is used to confirm that a chemical has been applied over a given surface. In embodiments, the chemical is an insect repellent, a deck sealer, a lotion, a medicine or a suntan lotion.

Methods and systems are provided for providing illumination and scent. Included are methods and systems for providing a light system with a plurality of LEDs and a processor for controlling a color of light from the LEDs and for providing a scent-producing facility for producing coordinated illumination and scent. In embodiments coordination is by a network. In embodiments the scent-producing facility is an air freshener. In embodiments the scent is correlated with illumination that reflects at least one of a similar aesthetic condition, an emotional state, an environmental condition, and a data item.

Methods and systems are provided for illuminating a fluid household product. The methods and systems include providing a container for the fluid household product, providing a light system in operative connection with the container, the light system comprising a light and a processor and being capable of producing illumination of a plurality of colors under control of the processor, and illuminating the fluid using the light system. In embodiments the light system illu-

minates a spray of fluid coming from the container. In embodiments the container is transparent and the light system illuminates fluid in the container. In embodiments the light system lights a package for the container.

The following patents and patent applications are hereby incorporated herein by reference:

U.S. Pat. No. 6,016,038, issued Jan. 18, 2000, entitled "Multicolored LED Lighting Method and Apparatus;"

U.S. Pat. No. 6,211,626, issued Apr. 3, 2001 to Lys et al, entitled "Illumination Components;"

U.S. Pat. No. 6,608,453, issued Aug. 19, 2003, entitled "Methods and Apparatus for Controlling Devices in a Networked Lighting System;"

U.S. Pat. No. 6,548,967, issued Apr. 15, 2003, entitled "Universal Lighting Network Methods and Systems;"

U.S. patent application Ser. No. 09/344,699, filed Jun. 25, 1999, entitled "Method for Software Driven Generation of Multiple Simultaneous High Speed Pulse Width Modulated Signals;"

U.S. patent application Ser. No. 09/805,368, filed Mar. 13, 2001, entitled "Light-Emitting Diode Based Products;"

U.S. patent application Ser. No. 09/716,819, filed Nov. 20, 2000, entitled "Systems and Methods for Generating and Modulating Illumination Conditions;"

U.S. patent application Ser. No. 09/675,419, filed Sep. 29, 2000, entitled "Systems and Methods for Calibrating Light Output by Light-Emitting Diodes;"

U.S. patent application Ser. No. 09/870,418, filed May 30, 2001, entitled "A Method and Apparatus for Authoring and Playing Back Lighting Sequences;"

U.S. patent application Ser. No. 10/045,629, filed Oct. 25, 2001, entitled "Methods and Apparatus for Controlling Illumination;"

U.S. patent application Ser. No. 10/158,579, filed May 30, 2002, entitled "Methods and Apparatus for Controlling Devices in a Networked Lighting System;"

U.S. patent application Ser. No. 10/325,635, filed Dec. 19, 2002, entitled "Controlled Lighting Methods and Apparatus;"

U.S. patent application Ser. No. 10/360,594, filed Feb. 6, 2003, entitled "Controlled Lighting Methods and Apparatus;" and

U.S. Provisional Application Ser. No. 60/415,897, filed Oct. 3, 2002, entitled "Methods and Apparatus for Illuminating Environments."

BRIEF DESCRIPTION OF THE DRAWINGS

FIG. 1 depicts a group of LEDs under the control of a processor for providing color changing illumination.

FIG. 2 depicts a spray container with optional light systems for providing an illumination facility.

FIG. 3 depicts a spray bottle with light systems for providing an illumination facility.

FIG. 4 depicts a spray bottle with a light system and an optics facility.

FIG. 5 depicts an optical effect of a liquid particle on a light ray.

FIG. 6 depicts an insect control facility with an illumination facility.

FIG. 7 depicts a toilet with an illumination facility.

FIG. 8 depicts a toothbrush with an illumination facility.

FIG. 9 depicts a liquid bottle with an illumination facility.

FIG. 10 depicts a candle with an illumination facility in a removable base.

FIG. 11 depicts a package for merchandise with an illumination facility.

5

FIG. 12 depicts a wand with an illumination facility and a spray facility.

FIG. 13 depicts a razor with an illumination facility.

FIG. 14 depicts broom with an illumination facility.

FIG. 15 depicts a showerhead with an illumination facility.

FIG. 16 depicts an animal collar with an illumination facility.

FIG. 17 depicts an illumination facility for use in interaction with an application of a chemical.

FIG. 18 depicts an appliance with an illumination facility.

FIG. 19 illustrates one example of a scent producing apparatus incorporating an illumination source, according to one embodiment of the invention.

FIGS. 20A, B, and C illustrate various features related to a scent cartridge of the apparatus of FIG. 19, according to one embodiment of the invention.

DETAILED DESCRIPTION

FIG. 1 depicts an illumination system 100 with a group of lights 102 under the control of a processor 104 for providing color-changing illumination. Control can be provided through a wide variety of facilities. Optional system elements can include facilities for networking light systems 100, including a network 108 (which can be a wired or wireless network, bus, circuit, or similar facility) and a control system 110, which could be a personal computer or other computer system. Methods and systems for networked and non-networked computer control of illumination systems 100 are described in the patents and patent applications referenced above and incorporated by reference herein.

The lights 102 can be LEDs or other illumination systems. In preferred embodiments, LEDs can be used.

An illumination system 100 consisting of a plurality of LEDs 102 combined with a processor 104 can be disposed in many different environments, including those that relate to household products.

FIG. 2 depicts a spray container 200 with light systems 100 for providing illumination to different portions of the spray container 200. The spray container 200 generates a spray 202 of a fluid 204 that is stored in the interior of the spray container 200. Light systems 100 can be disposed in the bottom 208 of the container 200, in the neck 210 of the container 200, or elsewhere in the interior or on the exterior of the container 200. In embodiments, the container 200 is a can, such as an aerosol can.

In embodiments, the container 200 can be made of a clear material, so that the interior fluid 204 is illuminated by the light systems 100. The fluid 204 can be clear, or substantially transparent or translucent, so that it takes on a color that is altered by the light from the light systems 100 in the bottom 208 of the container 200.

In embodiments, the light systems in the neck 210 of the container 200 light the fluid 204 as it sprays from the container 200, so that the spray is an illuminated spray, optionally a color-changing illuminated spray.

The fluid 204 can be any fluid, such as fluid useful in a household products, such as water, ammonia, bleach, window cleaner, insect repellent, insect killer, lotion, soap, liquid soap, kitchen cleaner, bathroom cleaner, shaving gel, cleaning fluid, lighter fluid, furniture polish, wood treatment, paint, primer, drain cleaner, disinfectant, room deodorizer, carpet deodorizer, room scent, perfume, cologne, shaving foam, toilet cleaner, aerosol, skin care fluid, suntan lotion, shampoo, surface cleaner, and liquid wax.

FIG. 3 depicts a spray bottle 300 with light systems 100 for providing an illumination. The spray bottle 300 may include a

6

bottom 302, with light systems 100 and/or a neck 304 with light systems 100. The light systems 100 in the bottom 302 can light a fluid 308 that is stored in the spray bottle 300. The bottle 300 can be clear, so that a light system 100 illuminates the fluid in colors. The light systems 100 in the neck 304 can illuminate a spray 310 of the fluid 308 in color-changing illumination conditions.

As with fluids in a can or similar container 200, the fluid 308 can be any fluid, such as fluid useful in a household products, such as water, ammonia, bleach, window cleaner, insect repellent, insect killer, lotion, soap, liquid soap, kitchen cleaner, bathroom cleaner, shaving gel, cleaning fluid, lighter fluid, furniture polish, wood treatment, paint, primer, drain cleaner, disinfectant, room deodorizer, carpet deodorizer, room scent, perfume, cologne, shaving foam, toilet cleaner, aerosol, skin care fluid, suntan lotion, shampoo, surface cleaner, after shave and liquid wax.

Thus, the fluid 308 can be illuminated either in the bottle 300 or in a spray 310 or stream that is sprayed from the bottle 300.

FIG. 4 depicts a spray bottle 400 with a light system 100 in the neck 402. The system also includes an optics facility 404, such as a mirror or lens, that reflects light from the spray bottle 400 in a ray 408. The ray 408 can illuminate a spray coming from the bottle, or it can be directed otherwise from the bottle 400, such as out the top, or down into the fluid in the bottle 400. The optics facility 404 is one of many optional optics facilities 404, such as mirrors, lenses, and the like, that can be used to manipulate light from a light system 100 disposed on or in a household product, such as a container 200, or bottle 300, 400.

FIG. 5 depicts an optical effect of a fluid particle 500 on a light ray 502. A fluid particle 500 can reflect or refract light 502, resulting in redirection of the light, and in some cases changing the color of the light, such as in a rainbow effect. Sprays and streams of fluid coming from a household products, faucet, or shower head can be illuminated by light systems 100, creating aesthetically pleasing effects, due to the interaction of light from the light systems 100 with the fluids.

FIG. 6 depicts an insect control facility 600 with an illumination facility. A light system 100 can be disposed on the insect control facility 600. Insects respond to light of different frequencies. The light from the light systems 100 can be used to attract or repel insects. The control facility 600 can be used in a roach motel, mosquito net, tiki torch, mosquito coil, bug zapper, deck light, pool light or other insect control facility 600.

FIG. 7 depicts a toilet 700 with an illumination facility. The toilet 700 can include one or more light systems 100. For example, a light system 100 can be disposed to light the water in the bowl 704. A light system 100 could also be used to light an odor control mechanism, such as a bar or puck 702 that is disposed in a rack above the bowl. A light system 100 can be disposed in a ring 708 in the bowl. A light system can be used to illuminate water in other locations in the house, such as a bathtub, sink or fountain.

In general, a light system 100 can be used to light any household object or appliance, such as a toilet, faucet, shower, tub, sink, appliance, refrigerator, oven, microwave, counter, drawer, cabinet, floor, ceiling, wall, chair, desk, table, washer, dryer, mixer, blender, toaster, or the like.

Lights systems 100 can be used to provide color-controlled illumination to common household products. FIG. 8 depicts a toothbrush 800 with an illumination facility including light systems 100. The toothbrush can be provided with clear, transparent, translucent or similar materials to permit color changes through the light systems 100. Household products

include a wide variety of items that can benefit from color changing effects, such as, in addition to the toothbrush, a pencil, a pen, a fork, a knife, a spoon, a kitchen utensil, a whisk, a broom, a bottle, a glass, a mug, a coffee maker, a toothpaste tube, a dispenser, a shampoo bottle, a soap holder, a razor, an electric razor, a hair dryer, a picture frame, a marker, a jar, a makeup facility, a perfume dispenser, a brush, a lipstick, and a candle.

FIG. 9 depicts a bottle 900 with an illumination facility. The light systems 100 can light the interior 902 or exterior 904 of the bottle 900. The bottle 900 can be made of materials needed to allow the light systems 100 to provide attractive, aesthetic, or attention-getting effects. The light systems 100 can illuminate a fluid 908 in the interior. Lighting the fluid 908 can provide a pleasing effect, or can attract attention to the bottle on a merchandise shelf. The fluid in the bottle 900 can be any fluid, such as those described above, such as liquid soap, or another fluid, such as water, ammonia, bleach, window cleaner, insect repellent, insect killer, lotion, soap, liquid soap, kitchen cleaner, bathroom cleaner, shaving gel, cleaning fluid, lighter fluid, furniture polish, wood treatment, paint, primer, drain cleaner, disinfectant, room deodorizer, carpet deodorizer, room scent, perfume, cologne, shaving foam, toilet cleaner, aerosol, skin care fluid, suntan lotion, shampoo, after shave, surface cleaner, and liquid wax.

One use of a light system 100 in connection with a container 200, or bottom 300, 400 or 900, or in connection with any other disposable product or product with limited useful life, is as an indicator of a condition of the product. The light system 100 can be coupled with a sensor for sensing a condition of the product, or with a timer for measuring time, or the like. For example a light system can illuminate when a chemical product is no longer working well, such as an odor control chemical. A light system 100 can illuminate in a certain way when a product has reached a certain age. A light system 100 can illuminate in a certain way when a container is nearly empty. Thus, a light system 100 can be used to provide information to a consumer using a product, such as a household product, about the condition of the product itself. A wide range of product characteristics can be measured and indicated by light systems 100 under the control of a processor 104.

FIG. 10 depicts a candle 1000 with an illumination facility in a removable base 1002. The light systems 100 illuminate the candle 1000, providing color-changing effects. The base 1002 can hold the light systems 100, so that disposable candles 1000 can be used with one base 1002. Many other disposable household objects can be disposed on a base 1002 to provide illumination, such as odor control items, scent-producing items, sprays, fluids, soaps and the like. A glass can be disposed on the base 1002 to illuminate any fluid in it, such as those described above.

FIG. 11 depicts a package 1100 for merchandise. The package 1100 can include light systems 100 to provide an illumination facility for the package 1100. The package 1100 can be illuminated on the shelf to attract attention to any product or merchandise, such as any product that can be provided in a can, container, or box. The product can be a household cleaner, wax, shampoo, soap, razor, toothbrush, skin care product, or any other household or other product described herein or found on retail shelves.

FIG. 12 depicts a wand 1200 with a light system 100 for illumination and a spray facility 1202. The wand 1200 includes a housing 1204 that is translucent or transparent, so that it glows in the color produced by light from the light system 100. The wand 1200 also includes a spray facility 1202 for spraying a fluid from a reservoir 1208. The fluid can

be any fluid, such as those mentioned above. In an embodiment, the wand sprays insect repellent, and the light system 100 illuminates the spray, as well as the exterior housing 1204 of the wand 1200.

FIG. 13 depicts a razor 1300 with an illumination facility. A light system 100 lights a housing 1302, which may be made of transparent or translucent material, so that the light system 100 changes the color of the housing 1302 under control of a processor 104 (not shown) of the light system 100.

FIG. 14 depicts broom 1400 with an illumination facility. A light system 100 is disposed in the handle 1402 of the broom 1400. The light system 100 can light the handle 1402, which can be made of a transparent or translucent material to accept color changes from the light system 100. The light system 100 can also be used to light in another direction, such as toward the floor when the broom 1400 is in use. The broom 1400 could be a push broom, hand broom, brush, or similar facility with a handle 1402 and bristles 1404.

FIG. 15 depicts a showerhead 1500 with an illumination facility. A light system 100 with lights 102, such as LEDs, and a processor 104, can be disposed in the neck 1502 of the showerhead. The light system 100 can illuminate the water spray from the showerhead 1500. Similarly, a light system 100 could be used to illuminate a water spray from a faucet, such as that of a sink or tub.

FIG. 16 depicts an animal collar 1600 with an illumination facility. A light system 100 can illuminate the collar, or illuminate the area around the collar. The collar can be a flea collar or similar insect control collar, or it can be a conventional collar.

FIG. 17 depicts an illumination facility 1700 for use in interaction with an application of a chemical 1702. Light from the illumination facility 1700 can be provided in any color of the spectrum, under control of a processor 104. Thus, the light can interact with the chemical 1702 to create an effect. For example, a chemical can include a luminescent portion that lights under light of a given spectrum. Such a luminescent facility could be used to confirm, with an illumination facility 1700 that a chemical has been applied over all of a given surface, such as a surface covered with insect repellent, a deck sealer, or a suntan lotion.

FIG. 18 depicts an appliance 1800 with an illumination facility. The appliance 1800 may be an oven, microwave oven, refrigerator, washer, dryer, toaster, or other appliance. The light system 100 can be used to light the appliance 1800 or an interior or exterior environment of or about the appliance 1800. The light system 100 can be coupled with a sensor to sense an environmental condition and to display illumination that indicates the condition. For example, an oven can light in a red color if it is hot. Sensor and feedback applications are described more particularly in certain patents and patent applications incorporated by reference herein.

In yet another embodiment of the present invention, an illumination system is disposed in combination with a scent-producing facility. Together with a processor or processors, this combination allows simultaneous or coordinated production of controlled scent and illumination. In embodiments, the scent/illumination device can be employed in conjunction with a network. In embodiments, the device may be provided with addressable control facilities. In embodiments, the devices can be employed using data delivery protocols such as DMX and power protocols such as pulse width modulation. In embodiments, the devices may be equipped with a communications facility, such as a transmitter, receiver, transceiver, wireless communications facility, wire, cable, or connector. Thus, the device can store, manipulate and otherwise handle data, including instructions that facilitate controlled

illumination or controlled scent, or both. The device may also, in embodiments, receive control signals from another source, such as a user interface, an external computer, a sensor, or the like.

A wide variety of illumination and display effects can be employed in connection with the scent producing facility, ranging from color washes, to rainbow effects, to rapid changes in color, and the like. The scents can also be controlled whereby different chemicals are triggered to respond to an input signal (e.g. Digiscents Inc. multi-scent devices) and a 'smell wash' or smell sequence synchronous with a color wash or color sequence can be activated.

In other embodiments, the illumination can reflect a sensed condition, such as a condition sensed in the environment of the scent-producing facility. In other embodiments, the illumination can reflect a condition of the scent-producing facility, such as remaining life of the device, the remaining amount of scent-producing materials or chemicals, the quality of the scent, the strength of scent, battery life, or the like.

The scent-producing facility may be an air freshener or other scent-producing facility that may optionally plug into a room outlet. In embodiments, the scent may be varied in response to data received by the device, as controlled by a processor that also controls the illumination.

The scent-producing facility can be programmed to produce scents in concert with the illumination; thus, a scent may be correlated with illumination that reflects a similar aesthetic condition, emotional state, environmental condition, data item, or other object or characteristic. For example, a pine scent could be coupled with green illumination, while a pumpkin scent could be coupled with orange illumination. Thus, a wide range of correlated colors and scents can be provided in a device where one or more processors controls both scent and illumination.

In an embodiment, the device is a combined air freshener and color-changing night-light, with a processor for control of the illumination condition of the night light, and with LEDs providing the source of illumination for the night light.

In an embodiment, a gel may be presented and a color changing illumination system may be directed to illuminate the gel. For example, there are many fragrances, deodorants, and the like that are made into gels. This gel can be made into most any shape and an illumination system may be used to project light through the gel. In an embodiment, the gel may appear to be glowing in colors.

In an embodiment, the gel or other material may evaporate over time and as the material evaporates, the light levels captured by the material may diminish. This will result in the light levels decreasing as the material evaporates giving an indication of material life. In an embodiment, the light may actually appear when the evaporation, or other process, has removed a portion of the material.

In an embodiment, the illumination may be associated with a sensor. Such a sensor may measure or indicate germ, bacteria or other contamination levels and cause an illumination system to emit certain lighting conditions. An embodiment may be a color changing "germ alert sensors" that would hang in the toilet or trashcan, etc. Example: as your tidy bowl reached the terrifying point of not flooding the sewer lines with chlorine at every flush, your tiny tricolor LED would pulse RED hues to alert you.

Another aspect of the present invention is providing light from an apparatus that is coordinated with a scent generation portion of the apparatus. For example, the apparatus may be a plug-in style air freshener and the light produced by the air freshener may be colored to coordinate with the type of scent being emitted. The light emitted from an evergreen scented

air freshener may be greenish blue for example. Another aspect of the present invention is providing an indication of useful life of a portion of a system. The system, an air freshening system for example, may have a life limited air cartridge and an indication of life may be provided. The indication of life may be provided through a certain lighting pattern for example.

An embodiment of the present invention is a scent producing apparatus **1900** with an illumination source **100**. One such device is illustrated in FIG. **19**. The illumination source, or system, may be similar to that described above as illumination system **100**. The illumination system **100** may be arranged to produce color controllable illumination through an optic **1908** for example. The scent producing apparatus **1900** may be adapted to plug into a conventional wall power outlet through an adapter **1910**. The apparatus **1900** may include a vented portion **1914** to facilitate the emission of scent from a scent cartridge **1902** once installed.

According to one aspect of the invention, the scent producing apparatus **1900** may be adapted to read, or otherwise identify, certain characteristics of the scent cartridge. For example, it may identify the type of cartridge, the scent to be produced by the cartridge, the date of manufacture, date of installation, serial number or other parameter. In an embodiment, the scent producing apparatus may be adapted to alter the color, pattern, intensity or other parameter of the light emitted by the illumination system **100**. For example, the cartridge **1902** may be encoded to identify the type of scent it produces. The scent producing apparatus **1900** may read the code and alter the light it produces to match the type of scent. The scent may be deemed an evergreen scent and the light emitted from the illumination system **100** may be altered to be green or blue for example. The light may also have a temporal effect such as to alternate between a green and blue or generate some other pattern intended to coordinate with the scent.

In another embodiment, the scent producing apparatus **1900** may also monitor the duration the cartridge **1902** is in the scent producing apparatus **1900** or otherwise monitor the effectiveness of the cartridge. Once the effectiveness, or lapsed time, indicates the cartridge should be changed, the illumination system **100** may be adapted to change the lighting pattern, color, intensity or other parameter it is producing. This method of operation may be useful indicating to a user that the cartridge is due to be changed. In an embodiment, the apparatus **1900** may include a user interface **1912**, much like the user interface identified above. The user interface **1912** may be used to override the indication light to provide normal illumination or alter the illumination to accommodate his/her desires. In an embodiment, the illumination system **100** may be adapted to stay in an override operation mode for a preset period of time. For example, the preset period may be three days, such that the light stays in the override lighting pattern for three days and then automatically converts back to the end of usefulness indication. This may be useful to allow a user to go into an override mode for a period of time but automatically be reminded that the cartridge needs to be renewed. In an embodiment, the user may set the time of the override and/or the user may have the option of electing an override period that does not automatically end.

In an embodiment, the apparatus **1900** may have a set of contacts **1920**. The contacts **1920** may be associated with a processor in the apparatus **1900** (e.g. processor **104** of the illumination system **100**). The processor **104** may be adapted to monitor the contacts **1920** for activity or association characteristics with a cartridge **1902**. For example, the contacts **1920** may be on a rear interior wall of the apparatus **1900** and the cartridge **1902** may have conductive strips **2002** on the

11

rear wall **1904** of the cartridge **1902**. The illustrations in FIGS. **20A** and **B** show different patterns of conductive strips **2002** on the rear wall **1904** of the cartridge **1902**. The illustration in FIG. **20A** may represent the conductive strip pattern associated with an evergreen scent cartridge while the illustration in FIG. **20B** may represent a raspberry scent cartridge. When a cartridge **1902** with the pattern **2002** of FIG. **20A** is inserted into the apparatus **1900**, the contacts **1920** will sense the pattern and the processor **104** can adjust the color of the light emitted accordingly. For example, the bottom protrusion of pattern **2002** may be aligned with one of the contacts **1920** in an array of contacts and the upper protrusion of pattern **2002** may be associated with another contact **1920** of the array. Depending on the placement of the upper pattern, for example, may dictate which contact in the array is associated with the pattern. The processor **104** may then recognize the pattern and adjust the lighting accordingly. This is but one example of a system designed to recognize a cartridge type of many that are envisioned by the applicant and encompassed by the present invention. For example, FIG. **20C** illustrates another such method.

FIG. **20C** illustrates the rear wall **1904** of a cartridge **1902**. The rear wall **1904** may include three electrically conductive pads. Pads **2004** may be designed to bring power to a circuit on the cartridge **1902** and the third pad **2010** may be a data pad for the circuit. These three pads may be associated with a circuit (e.g. integrated circuit **2008**) and the integrated circuit may be adapted to output data to the data pad, which in turn may be associated with the processor **104** in the apparatus **1900**. The integrated circuit may be adapted to produce data indicative of the cartridge type, scent, manufacturing date, installation date, lapsed time that the cartridge received power (e.g. measure of time in use), or other parameter. The circuit may include a counter and once the counter reaches a particular point it may indicate it is time to change the cartridge through a display of a certain lighting pattern, or it may make a sound or provide some other type of alert. The timing system may provide several indications of remaining usefulness so the user can become informed as to the state (e.g. the cartridge is 80% spent) and time the replacement accordingly.

In an embodiment, the apparatus **1900** may be programmed to display a color of light that is an indication of useful remaining life of the cartridge. For example, the light may be blue when the cartridge is new or full and it may gradually, or in some other predetermined way, change through a rainbow of colors until it reaches red where red indicates the cartridge has reached the end of its useful life. The user interface **1912** may allow a user to select such a mode, for example.

In an embodiment, the apparatus **1900** may include a switch **1918** where the switch **1918** is depressed, or otherwise activated, when the cartridge **1902** is loaded into the apparatus. The processor **104** may monitor the activation of the switch **1918** as an indication of the cartridge **1902** being loaded. From this indication, the apparatus **1900** may monitor or predict certain events. For example, the processor **104** may begin a timing circuit in an effort to predict the useful life of the cartridge **1902**. In an embodiment, the switch may be associated with a mechanism or circuit to indicate whether the cartridge has been removed during a power down cycle. For example, the switch may be associated with a dial where the position of the dial can be read. When the apparatus **1900** is re-powered, the processor **104** may check the dial position and compare to the position indication of the dial before power-down to indicate if the cartridge has been removed. If the cartridge was removed, the processor may automatically start a new timer for the prediction of cartridge life expect-

12

ancy. In an embodiment, the processor may also provide an indication (e.g. certain lighting pattern) that it believes the cartridge has been changed and ask for a user confirmation through the user interface **1912**.

While the invention has been described in connection with certain preferred embodiments, other embodiments will be readily understood by those of ordinary skill in the art and are encompassed herein.

The invention claimed is:

1. A method of providing light in conjunction with a scent-producing product and/or a scent-producing facility that includes the scent-producing product, the method comprising:

A) providing at least one light system, comprising at least one light source controllable by a processor for generating radiation of one or more colors and/or one or more brightness levels;

B) disposing the at least one light system in proximity to the scent-producing facility so as to generate the radiation in proximity to the scent-producing facility and/or the scent-producing product; and

C) generating at least one selected color of the radiation in response to a signal from the processor.

2. The method of claim 1, wherein the signal relates to data indicative of a condition of the scent-producing product.

3. The method of claim 1, further comprising sensing at least one condition in an environment proximate to the scent-producing facility, wherein C) comprises generating the at least one selected color of the radiation based at least in part on the sensed at least one condition.

4. The method of claim 1, further comprising:

D) varying a scent produced by the scent-producing product; and

E) varying the at least one selected color of the radiation based at least in part on D).

5. The method of claim 1, wherein:

B) comprises disposing the at least one light system in proximity to the scent-producing facility so as to illuminate at least a portion of the scent-producing facility and/or the scent-producing product with the radiation; and

C) comprises generating the at least one selected color of the radiation so as to cause a color change of the scent-producing facility and/or the scent-producing product.

6. An apparatus, comprising:

a scent-producing facility that includes a scent-producing product; and

at least one light system comprising at least one light source controllable by a processor for generating radiation of one or more colors and/or one or more brightness levels, the at least one light system disposed proximate to the scent-producing facility and configured to generate at least one selected color of the radiation in response to a signal from the processor.

7. The apparatus of claim 6, wherein the scent-producing product comprises a liquid or a gel.

8. The apparatus of claim 6, wherein the scent-producing facility comprises a household air-freshener.

9. The apparatus of claim 6, further comprising at least one sensor for monitoring at least one condition in an environment proximate to the apparatus, wherein the at least one controller controls the at least one light source and/or the scent-producing facility based at least in part on the monitored at least one condition.

13

10. The apparatus of claim 9, wherein the at least one sensor is configured to monitor germ, bacteria or other contamination levels in the environment proximate to the apparatus.

11. An apparatus, comprising:

at least one LED-based light source for generating light having one or more colors and/or one or more brightness levels;

a scent-producing facility for producing at least one scent from a scent-producing product; and

at least one controller for controlling the at least one LED-based light source and the scent-producing facility so as to generate the light in coordination with the at least one scent.

12. The apparatus of claim 11, wherein the at least one controller receives at least one control signal from an external source for controlling the at least one light source and/or the scent-producing facility.

13. The apparatus of claim 11, wherein the scent-producing facility comprises an air-freshener, and wherein the at least one LED-based light source comprises an LED-based night light.

14. The apparatus of claim 11, wherein the at least one controller controls the at least one LED-based light source

14

based at least in part on at least one condition associated with the scent-producing facility, the scent-producing product or the at least one scent.

15. The apparatus of claim 14, wherein the at least one condition comprises an amount of the scent-producing product, a quality of the at least one scent, a strength of the scent, or a remaining life of the scent-producing facility.

16. A method, comprising:

A) generating at least one scent; and

B) generating light via at least one LED-based light source, wherein at least one characteristic of the light is based at least in part on the at least one scent.

17. The method of claim 16, further comprising generating the at least one scent and/or the at least one characteristic of the light based at least in part on at least one environmental condition.

18. The method of claim 17, wherein the at least one environmental condition includes germ, bacteria or other contamination levels.

19. The method of claim 16, wherein the at least one scent and the at least one characteristic of light share at least one correlated aesthetic attribute.

20. The method of claim 16, further comprising generating the at least one characteristic of light based at least in part on at least one condition associated with the at least one scent.

* * * * *