



US007637649B2

(12) **United States Patent**  
**Garcia et al.**

(10) **Patent No.:** **US 7,637,649 B2**  
(45) **Date of Patent:** **Dec. 29, 2009**

(54) **REVERSIBLE LAMP**

(75) Inventors: **Ceferino Garcia**, Juarez (MX); **Richard C. Laird**, El Paso, TX (US)

(73) Assignee: **Osram Sylvania Inc.**, Danvers, MA (US)

(\* ) Notice: Subject to any disclaimer, the term of this patent is extended or adjusted under 35 U.S.C. 154(b) by 17 days.

(21) Appl. No.: **11/583,444**

(22) Filed: **Oct. 19, 2006**

(65) **Prior Publication Data**

US 2008/0094856 A1 Apr. 24, 2008

(51) **Int. Cl.**  
**H01R 33/00** (2006.01)  
**H05B 31/00** (2006.01)

(52) **U.S. Cl.** ..... **362/640**; 362/262; 362/651; 362/652; 362/655; 362/659

(58) **Field of Classification Search** ..... 362/652-658, 362/262, 651, 659, 260, 265, 640; 313/318.01-318.05  
See application file for complete search history.

(56) **References Cited**

U.S. PATENT DOCUMENTS

4,899,266 A 2/1990 Ahroni  
5,313,134 A \* 5/1994 Borgis et al. .... 313/318.01  
6,607,293 B2 \* 8/2003 Suzuki et al. .... 362/430

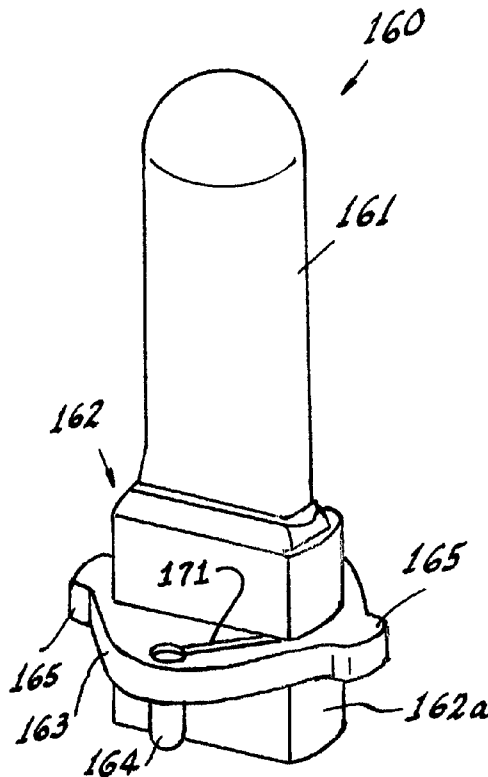
\* cited by examiner

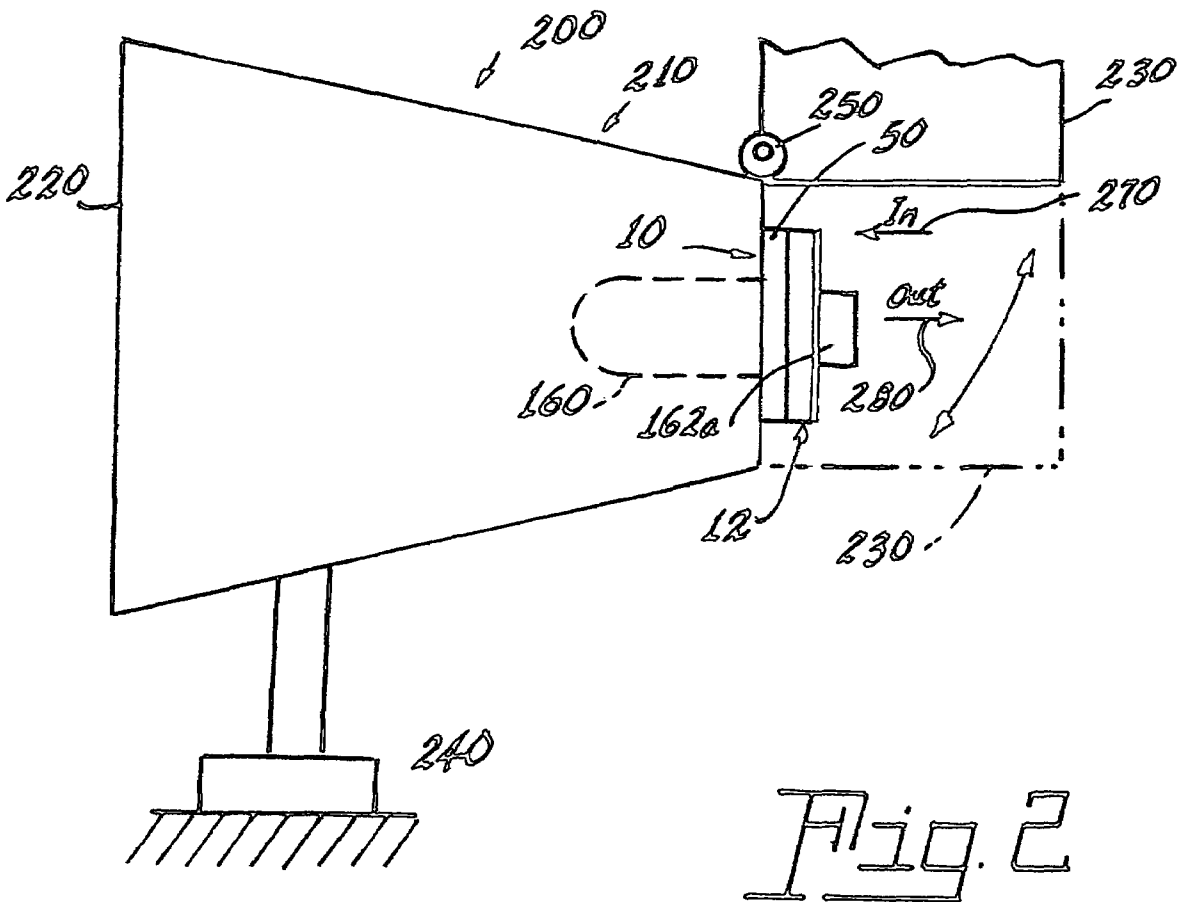
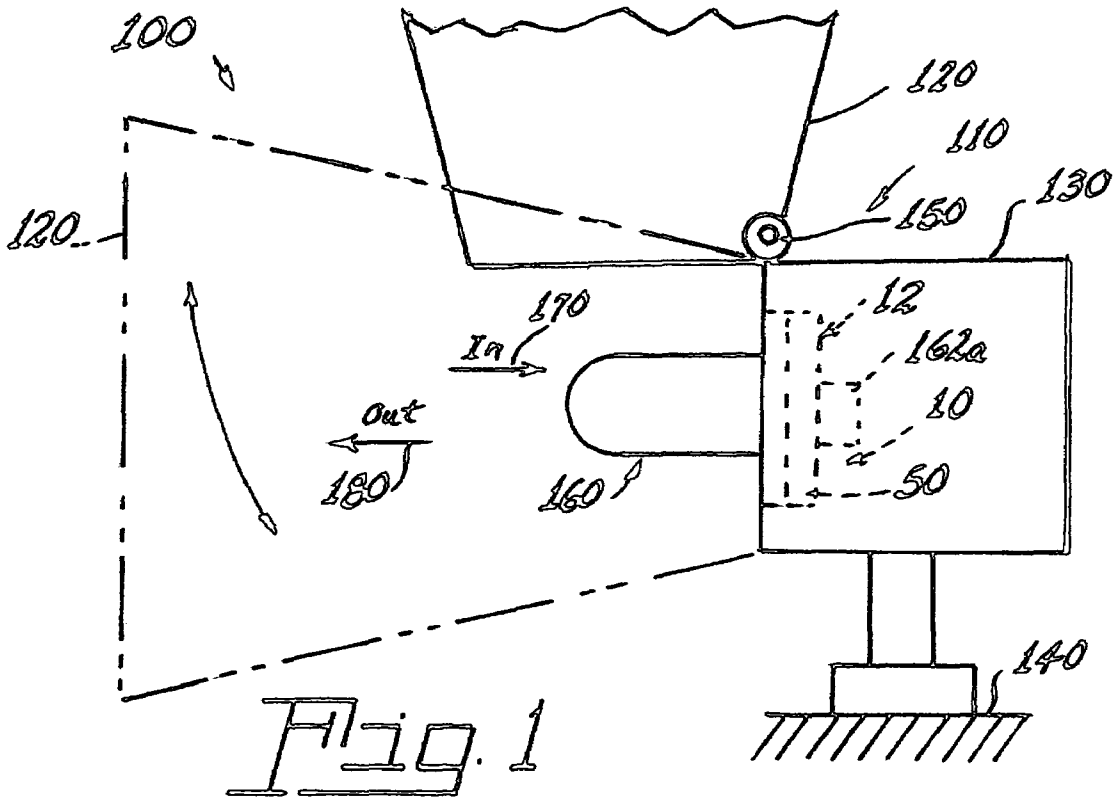
*Primary Examiner*—Sharon E Payne  
*Assistant Examiner*—Sean P Gramling  
(74) *Attorney, Agent, or Firm*—William H. McNeill

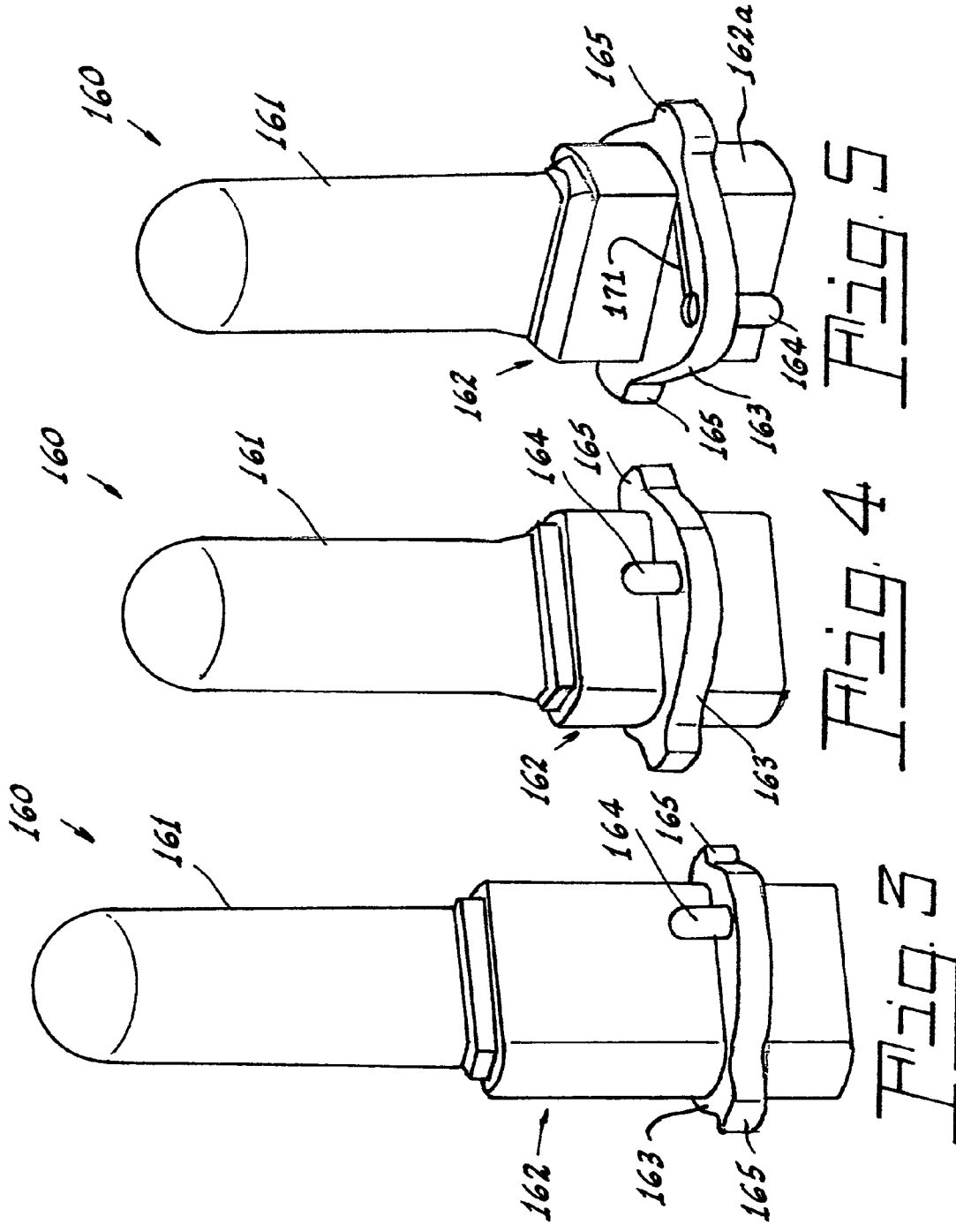
(57) **ABSTRACT**

A lamp (160) comprising: a light-emitting lamp capsule (161) arrayed about a longitudinal axis (161a); a base (162) supporting said lamp capsule (161), said base (162) including a peripheral flange (163) extending normal to said longitudinal axis (161a); and electrical contacts (164) attached to said peripheral flange for providing power to said light-emitting lamp capsule (161), said electrical contacts (164) extending from said peripheral flange (163) in a direction parallel to said longitudinal axis (161a).

**6 Claims, 2 Drawing Sheets**







1

**REVERSIBLE LAMP**CROSS-REFERENCE TO RELATED  
APPLICATION

This application is a filing under 37 CFR 1.114 of application Ser. No. 11/583,444, filed Oct. 19, 2006 and priority is claimed from the filing date of the parent application.

## TECHNICAL FIELD

This invention relates to lamps and more particularly to lamps that can load from a front or rear loading position.

## BACKGROUND ART

Lamp fixture manufacturers design fixtures for high power lamps to accept lamps from either a front or rear position. Such designs require a number of different lamps and a number of different sockets. Naturally, this requires manufacturers to keep an inventory of multiple lamps and sockets; an expensive and cumbersome approach to fixture design. It would, therefore, be an advance in the art if a lamp having multiple configurations could be provided that could load from either a forward loading or rear loading fixture.

## DISCLOSURE OF INVENTION

It is, therefore, an object of the invention to obviate the disadvantages of the prior art.

It is another object of the invention to enhance lamp sockets.

Yet another object of the invention is the provision of a lamp socket that can accept multiple lamps from a variety of positions.

These objects are accomplished, in one aspect of the invention, by a lamp comprising: a light-emitting lamp capsule arrayed about a longitudinal axis; a base **162** supporting said lamp capsule, said base including a peripheral flange extending normal to said longitudinal axis, and electrical contacts attached to said peripheral flange for providing power to said light-emitting lamp capsule, said electrical contacts extending from said peripheral flange in a direction parallel to said longitudinal axis.

## BRIEF DESCRIPTION OF THE DRAWINGS

FIG. **1** is a diagrammatic view of a front-loading fixture; FIG. **2** is a diagrammatic view of a rear-loading fixture; and FIGS. **3-5** are perspective views of lamps illustrating embodiments of the invention;

BEST MODE FOR CARRYING OUT THE  
INVENTION

For a better understanding of the present invention, together with other and further objects, advantages and capabilities thereof, reference is made to the following disclosure and appended claims taken in conjunction with the above-described drawings.

Referring now to the drawings with greater particularity, there is shown in FIG. **1** a front-loading fixture **100** having a housing **110** that includes a front portion **120** and a rear portion **130**. The rear portion **130** can be fixed to a support **140** and the front portion **120** can be opened via a hinge **150** to gain access to a lamp **160** that is inserted into a socket **10**. The

2

lamp **160** is inserted and removed from the socket **10** in the directions indicated by the arrows **170, 180**.

A rear-loading fixture **200** is depicted in FIG. **2** wherein the fixture **200** has a housing **210** with a front portion **220** and a rear portion **230**. In this instance it is the front portion **220** that is fixed to a support **240** and the rear portion **230** that can be opened via a hinge **250** to gain access to a lamp **160** that is inserted into socket **10**. The lamp **160** for fixture **200** is inserted and removed from the rear as indicated by the arrows **270, 280**.

Referring to FIGS. **3-5**, lamps **160** capable of accomplishing this desirable result comprise a lamp capsule **161** having a reversible base **162** of a suitable material, such as a high temperature ceramic or plastic. The base **162** includes a flange **163** with a pair of lamp contacts **164** oppositely disposed thereon and projecting therefrom. Lamp retainers **165** are formed with the flange **163** and are orthogonal to the lamp contacts **164**. The bases **162** can have a long body, as is shown in FIG. **3** or a short body, as shown in FIGS. **4** and **5** to accommodate various types of light-emitting lamp capsules **161** such as tungsten halogen capsules, arc discharge capsules or capsules containing other types of light emitters. The capsules can be of varying lengths to provide different focal points.

The lamps **160**, shown in FIGS. **3** and **4**, have the lamp contacts **164**, in the form of cylindrical prongs **164a** and **164b**, facing forward, that is, towards the lamp capsule, and these lamps are used with fixtures **200**, where the lamps are inserted from the rear of the fixture.

The lamp **160**, shown in FIG. **5**, has the lamp contacts **164** facing rearward, that is, away from the lamp capsule and these lamps are employed with fixtures **100**, where the lamp would be inserted from the front of the fixture.

Electrical connection from the lamp lead-ins can be provided via trenches **171** set into the flange **163**, one of which is illustrated in FIG. **5**.

While there have been shown what are at present considered to be the preferred embodiments of the invention, it will be apparent to those skilled in the art that various changes and modifications can be made herein without departing from the scope of the invention as defined by the appended claims.

The invention claimed is:

**1.** A lamp comprising:

a light-emitting lamp capsule having a given diameter arrayed about a longitudinal axis;

a reversible base supporting said lamp capsule, said base including a peripheral flange extending normal to said longitudinal axis and having a diameter larger than said given diameter; and

electrical contacts in the form of cylindrical prongs attached to said peripheral flange for providing power to said light-emitting lamp capsule, said electrical contacts extending from said peripheral flange in a direction parallel to said longitudinal axis and being positioned on a diameter larger than said given diameter whereby said light-emitting lamp supported by said reversible base can be adapted for use with front or rear loading fixtures.

**2.** The lamp of claim **1** wherein said peripheral flange has a forward surface facing said light-emitting lamp capsule and said electrical contacts are positioned on said forward surface and extend toward said light-emitting lamp capsule.

**3.** The lamp of claim **1** wherein said peripheral flange has a rear surface facing away from said light-emitting lamp capsule and said electrical contacts are positioned on said rear surface and extend away from said light-emitting lamp capsule.

3

4. The lamp of claim 1 wherein said peripheral flange includes lamp retainers.

5. The lamp of claim 4 wherein said lamp retainers are orthogonal to said lamp contacts.

6. A lamp comprising:  
a reversible base, said base having oppositely disposed first and second surfaces;  
a first lamp receiving body projecting from said first surface and a second lamp receiving body projecting from said second surface and a light-emitting lamp capsule having a given diameter arrayed about a longitudinal axis fitted into and projecting from one of said first or second lamp receiving bodies;

4

said base including a peripheral flange extending normal to said longitudinal axis and having a diameter larger than said given diameter; and

electrical contacts in the form of cylindrical prongs attached to said peripheral flange for providing power to said light-emitting lamp capsule, said electrical contacts extending from said peripheral flange in a direction parallel to said longitudinal axis and being positioned on a diameter larger than said given diameter, whereby said light-emitting lamp can be adapted for use with front or rear loading fixtures.

\* \* \* \* \*