



US007600891B2

(12) **United States Patent**
Belliveau et al.

(10) **Patent No.:** **US 7,600,891 B2**
(45) **Date of Patent:** ***Oct. 13, 2009**

(54) **THEATRE LIGHT APPARATUS
INCORPORATING LED TRACKING SYSTEM**

(76) Inventors: **Richard S. Belliveau**, 10643 Floral Park, Austin, TX (US) 78759; **Michael Bell**, 6008 Salton Dr., Austin, TX (US) 78759; **David Dahly**, 12095 Turkey Run, Austin, TX (US) 78727; **David Karl Peck**, 1600 Quail Crest Dr., Austin, TX (US) 78758

(*) Notice: Subject to any disclaimer, the term of this patent is extended or adjusted under 35 U.S.C. 154(b) by 36 days.

This patent is subject to a terminal disclaimer.

(21) Appl. No.: **11/516,822**

(22) Filed: **Sep. 7, 2006**

(65) **Prior Publication Data**

US 2008/0062681 A1 Mar. 13, 2008

(51) **Int. Cl.**
F21V 9/00 (2006.01)

(52) **U.S. Cl.** **362/231**; 362/8; 362/11; 362/16; 362/18; 362/233

(58) **Field of Classification Search** 362/231, 362/8, 11, 16, 18, 233, 800; 315/241 P, 241 S, 315/185 S, 200 A, 312, 323, 324

See application file for complete search history.

(56) **References Cited**

U.S. PATENT DOCUMENTS

4,392,182 A	7/1983	Di Matteo	362/5
4,392,187 A	7/1983	Bornhorst	362/233
4,963,798 A *	10/1990	McDermott	315/312
5,149,190 A *	9/1992	MacKenzie	362/234
5,353,211 A *	10/1994	Merko	362/294
5,402,326 A	3/1995	Belliveau	362/284
5,426,576 A *	6/1995	Hewlett	362/293
5,580,163 A *	12/1996	Johnson, II	362/285
6,357,893 B1 *	3/2002	Belliveau	362/285
6,693,392 B2 *	2/2004	Belliveau	315/200 A
6,909,123 B2 *	6/2005	Hayashimoto et al.	257/98
2002/0075685 A1 *	6/2002	Rasmussen et al.	362/282
2005/0134810 A1 *	6/2005	Belliveau	353/87
2006/0119795 A1 *	6/2006	Lipsey et al.	353/20

* cited by examiner

Primary Examiner—Sandra L. O’Shea

Assistant Examiner—Mark Tsidulko

(74) *Attorney, Agent, or Firm*—Walter J. Tencza, Jr.

(57) **ABSTRACT**

A multiparameter light is disclosed, which incorporates an LED (light emitting diode) tracking ring surrounding a main output lens. The LED tracking ring is capable of additive color mixing and in turn can simulate the color of the main projected light projecting from the main output aperture or output lens of the multiparameter light.

40 Claims, 5 Drawing Sheets

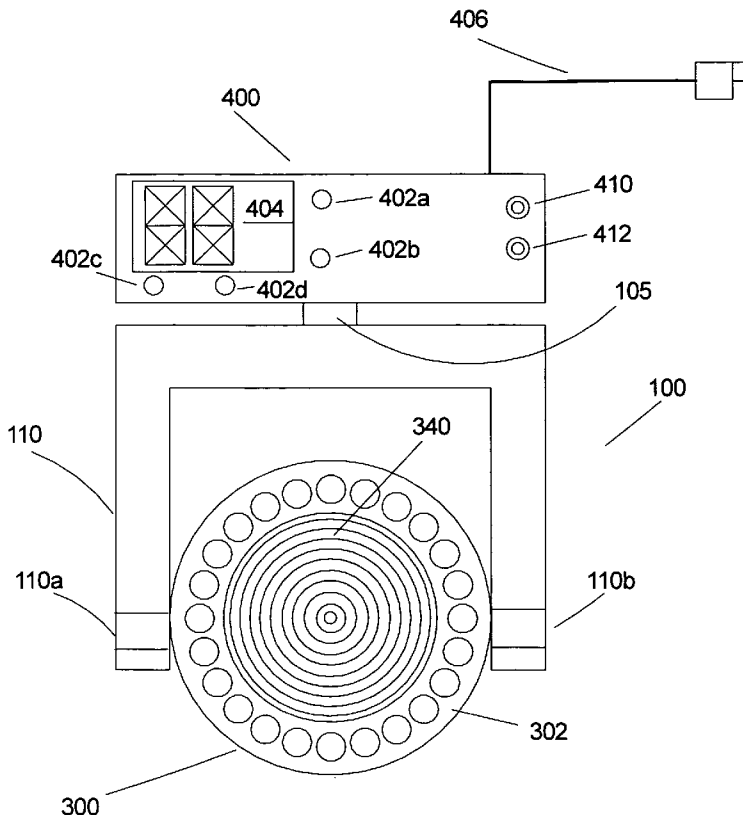


FIG 1

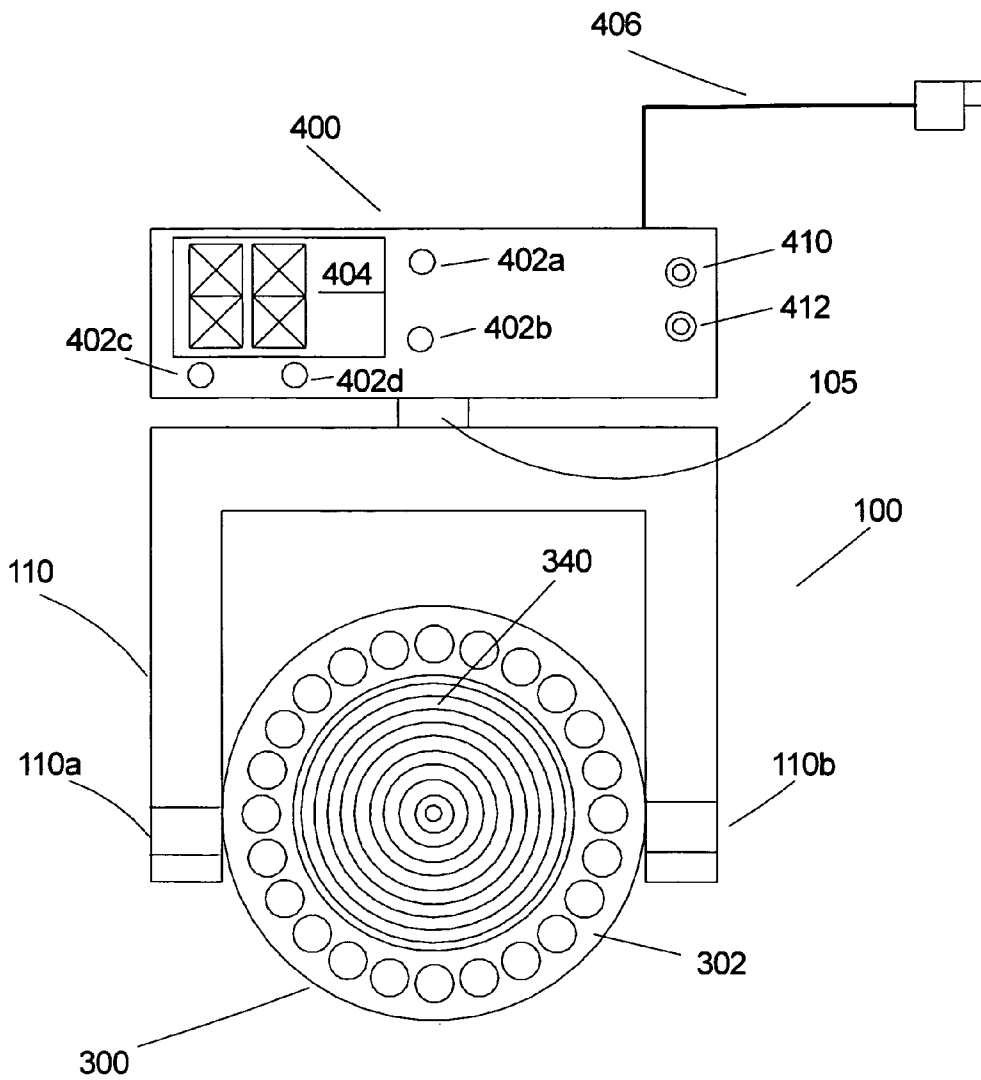


FIG 2A

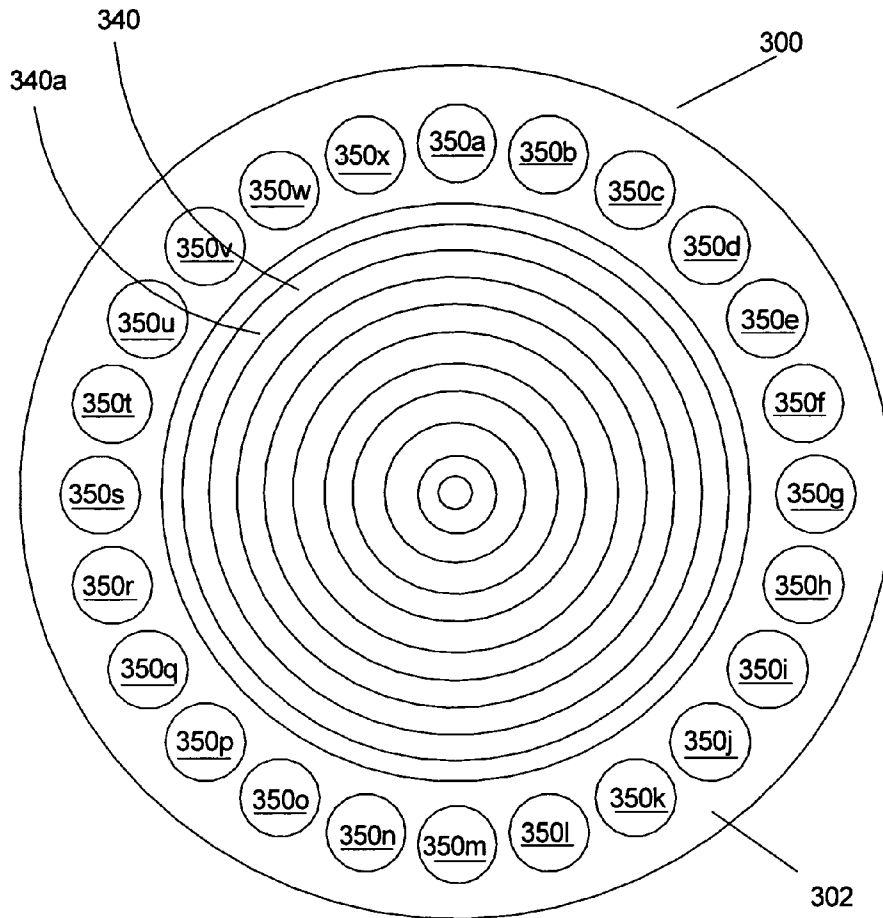


FIG 2B

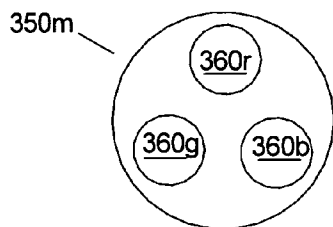


FIG 2C

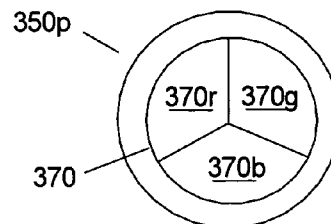


FIG 3

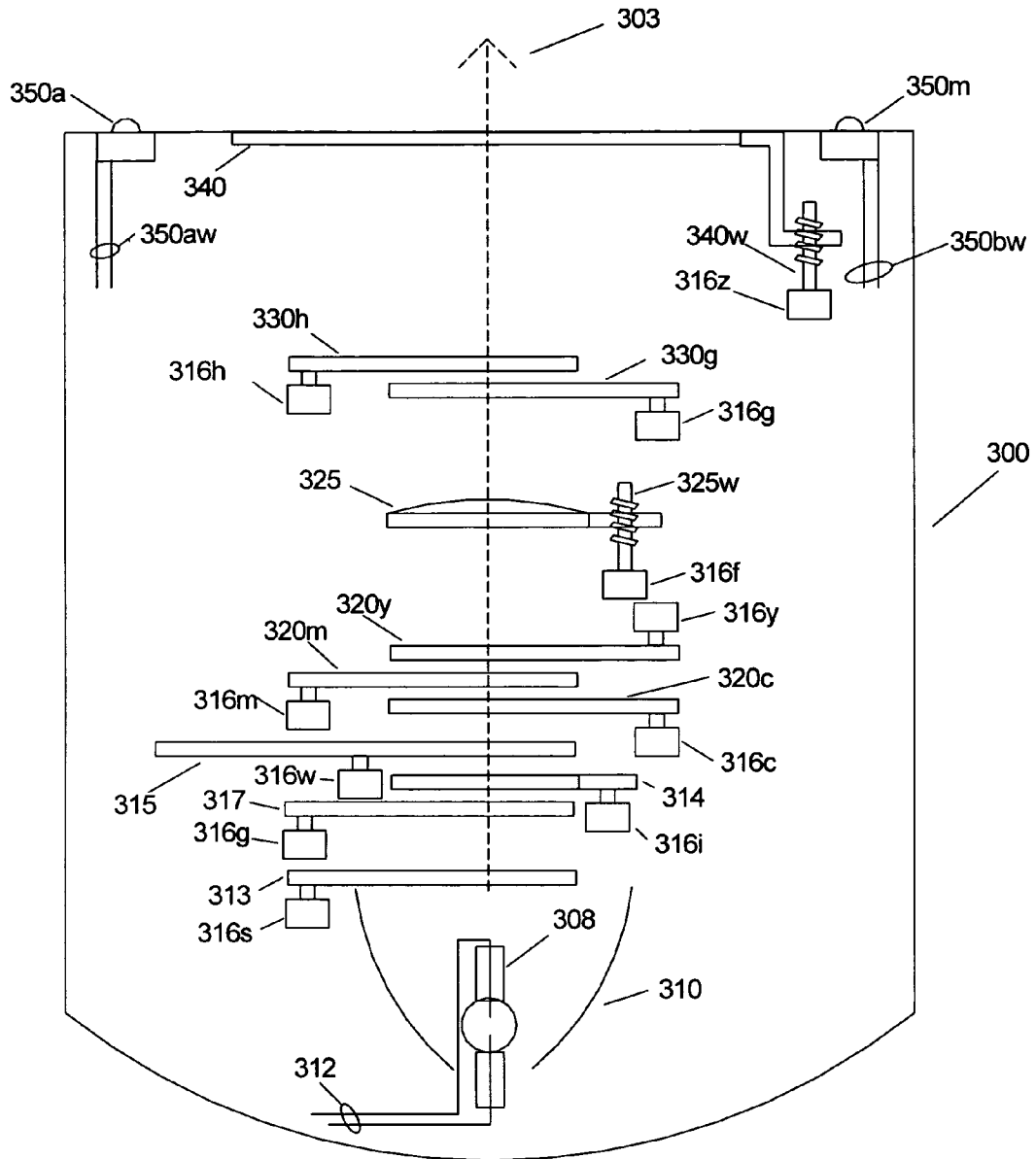


FIG 4

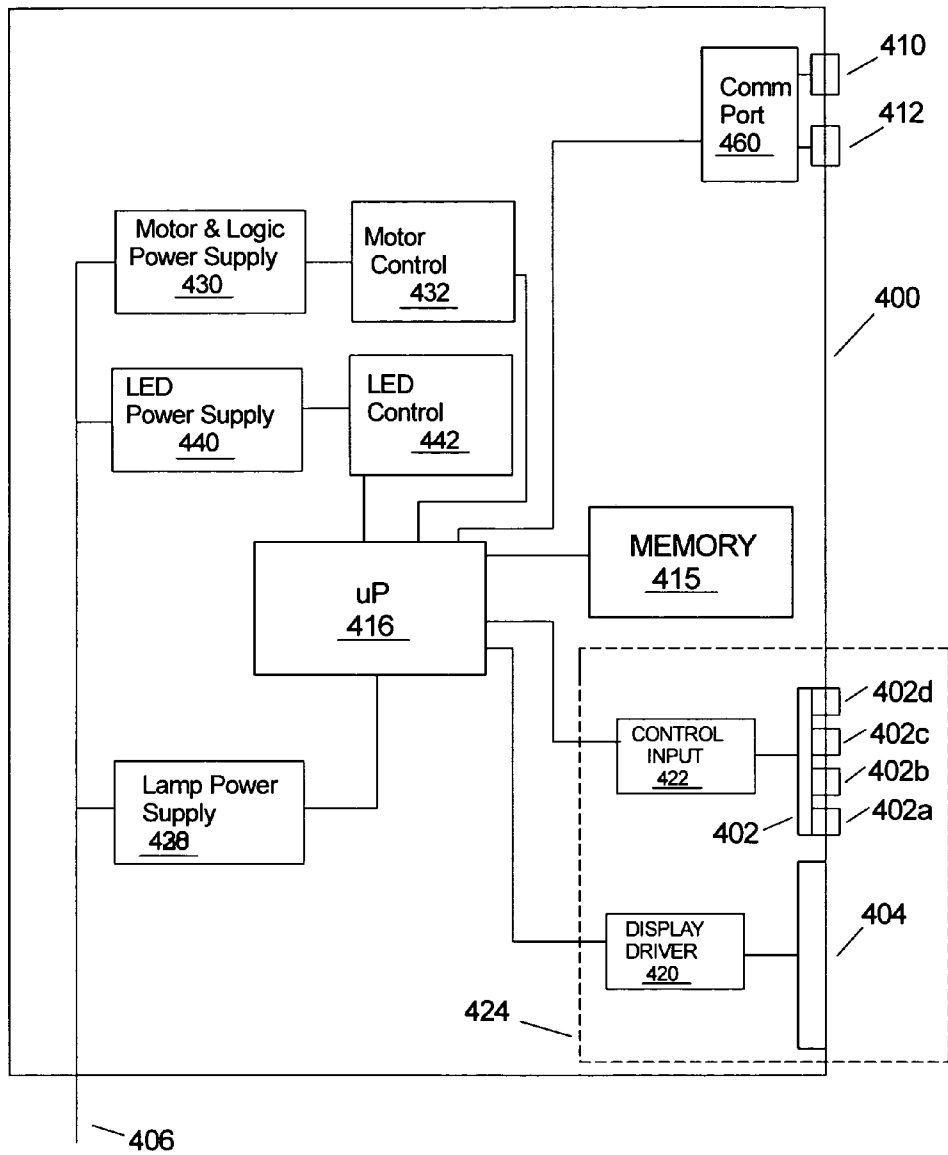
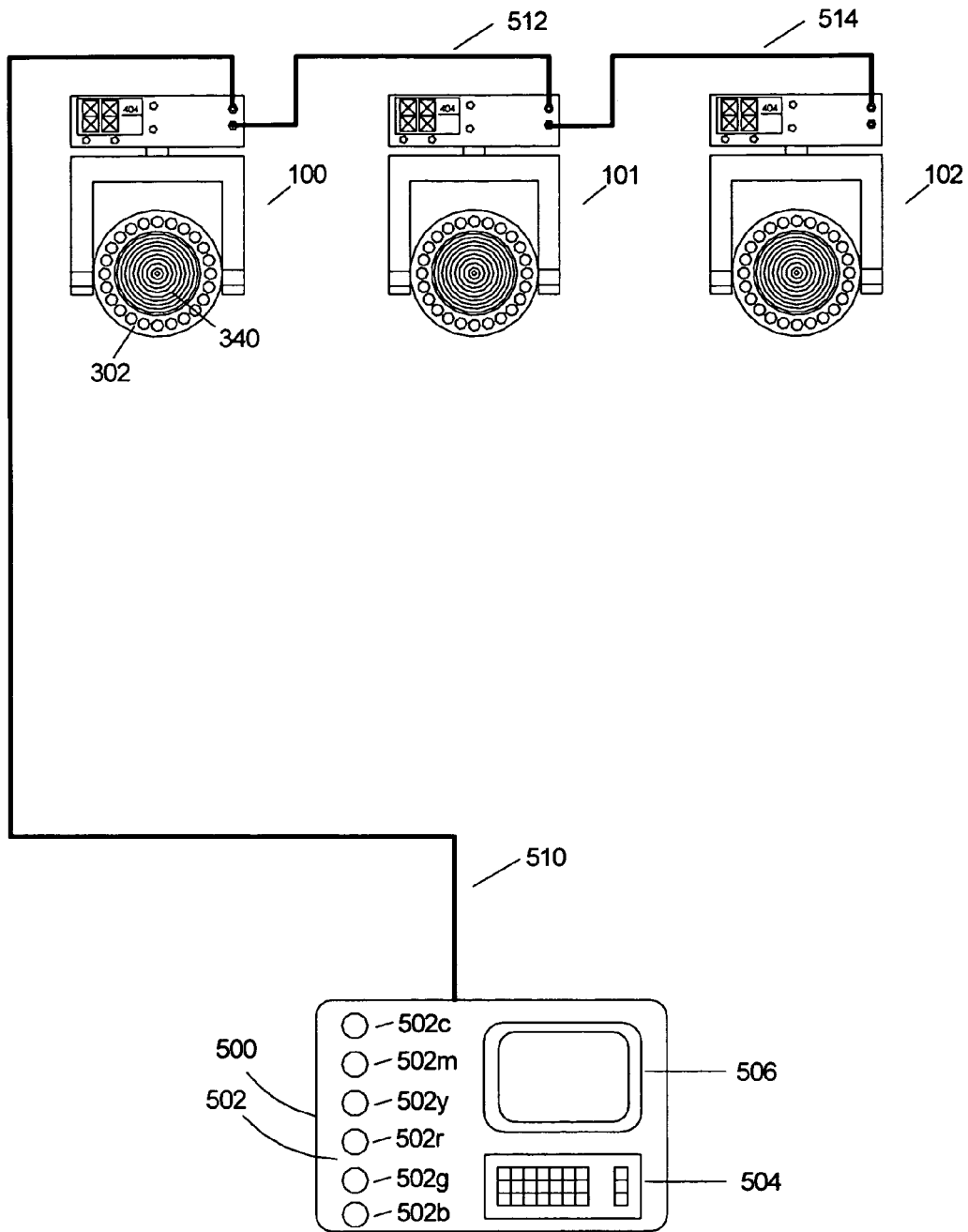


FIG 5



THEATRE LIGHT APPARATUS INCORPORATING LED TRACKING SYSTEM

FIELD OF THE INVENTION

This invention relates to multiparameter lighting fixtures.

BACKGROUND OF THE INVENTION

Multiparameter lighting fixtures are lighting fixtures, which illustratively have two or more individually remotely adjustable parameters such as focus, color, image, position, or other light characteristics. Multiparameter lighting fixtures are widely used in the lighting industry because they facilitate significant reductions in overall lighting system size and permit dynamic changes to the final lighting effect. Applications and events in which multiparameter lighting fixtures are used to great advantage include showrooms, television lighting, stage lighting, architectural lighting, live concerts, and theme parks. Illustrative multi-parameter lighting fixtures are described in the product brochure showing the High End Systems product line for the year 2000 and are available from High End Systems, Inc. of Austin, Tex.

Multiparameter lighting fixtures are commonly constructed with a lamp housing that may pan and tilt in relation to a base housing so that light projected from the lamp housing can be remotely positioned to project on the stage surface. Commonly a plurality of multiparameter lights are controlled by an operator from a central controller. The central controller is connected to communicate with the plurality of multiparameter lights via a communication system. U.S. Pat. No. 4,392,182 titled "Computer controlled lighting system having automatically variable position, color, intensity and beam divergence" to Bornhorst and incorporated herein by reference, disclosed a plurality of multiparameter lights and a central controller.

The lamp housing of the multiparameter light contains the optical components and the lamp. The lamp housing is rotatably mounted to a yoke that provides for a tilting action of the lamp housing in relation to the yoke. The lamp housing is tilted in relation to the yoke by a motor actuator system that provides remote control of the tilting action by the central controller. The yoke is rotatably connected to the base housing that provides for a panning action of the yoke in relation to the base housing. The yoke is panned in relation to the base housing by a motor actuator system that provides remote control of the panning action by the central controller.

It is desirable for a multiparameter light to have a large light output aperture to create a large beam of light cross section. This often causes a problem because the final output lens that often establishes the output aperture of a multiparameter light must be large in diameter. When the output lens diameter exceeds eight inches the glass lens can become quite heavy. The increased weight of the lens requires a more expensive support frame and larger motors to drive the increased weight of the lamp housing.

SUMMARY OF THE INVENTION

A novel high power multiparameter light apparatus is disclosed. The multiparameter light of one or more embodiments of the present invention incorporates an LED (light emitting diode) tracking ring surrounding a main output lens. The LED tracking ring is capable of additive color mixing and in turn can simulate the color of the main projected light projecting from the main output aperture or output lens of the multiparameter light.

BRIEF DESCRIPTION OF THE DRAWINGS

FIG. 1 shows a multiparameter light in accordance with an embodiment of the present invention;

FIG. 2A shows a fresnel lens and an LED tracking ring incorporated into the multiparameter light of FIG. 1;

FIG. 2B shows an LED from the color tracking ring of FIG. 2A comprised of a plurality of separate colored LEDs;

FIG. 2C shows an LED from the color tracking ring of FIG. 2A comprised of a single RGB (red, green, and blue) LED;

FIG. 3 shows an internal view of components of a lamp housing of the multiparameter light of FIG. 1;

FIG. 4 shows an internal view of the components of the base housing of the multiparameter light of FIG. 1; and

FIG. 5 shows a lighting system comprised of a plurality of multiparameter lights in accordance with an embodiment of the present invention connected for communication to a central controller.

DETAILED DESCRIPTION OF THE DRAWINGS

In the description that follows, like parts are marked throughout the specification and drawings with the same reference numerals, respectively. The drawing figures are not necessarily to scale. Certain features of embodiments of the present invention may be shown exaggerated in scale or in somewhat schematic form and some details of conventional elements may not be shown in the interest of clarity and conciseness. The present invention is susceptible to embodiments of different forms. There are shown in the drawings, and herein will be described in detail, specific embodiments of the present invention with the understanding that the present disclosure is to be considered an exemplification of the principles of the invention, and is not intended to limit the invention to that illustrated and described herein. It is to be fully recognized that the different teachings of the embodiments discussed below may be employed separately or in any suitable combination to produce the desired results.

In particular, various embodiments of the present invention provide a number of different methods and apparatus for operating and controlling multiple IPLD lighting systems. The concepts of the invention are discussed in the context of IPLD lighting systems but the use of the concepts of the present invention is not limited to IPLD systems and may find application in other lighting and other visual systems where control of the system is maintained from a remote location and to which the concepts of the current invention may be applied.

FIG. 1 shows a multiparameter light **100** in accordance with an embodiment of the present invention. The multiparameter light **100** includes a lamp housing **300** and a base housing **400**. The multiparameter light **100** is capable of remotely panning and tilting the lamp housing **300** in relation to the base housing **400**. The lamp housing **300** is mounted by bearing assemblies **110a** and **110b** so that the lamp housing **300** can tilt in relation to a yoke **110**. The yoke **110** can pan in relation to the base housing **400** by means of a bearing **105**. The lamp housing **300** is remotely tilted in relation to the base housing **400** by a first motor actuator not shown for simplicity. The yoke **110** is remotely panned in relation to the base housing **400** by a second motor actuator not shown for simplicity.

The lamp housing **300** includes, or has located therein, an output lens **340**. The output lens **340** may be a polymer fresnel lens and typically is the main output lens of the lamp housing **300**. A polymer fresnel lens is used in accordance with an embodiment of the present invention for output lens **340** to

reduce the weight associated with glass fresnel lenses of the prior art. The output lens 340 includes an output aperture 340a shown in FIG. 2A. Also shown is a plurality of LEDs that are used for form an LED tracking ring 302. Glass fresnel lenses are used in the prior art for non-imaging applications and therefore are used in wash lights that do not project a pattern (referred to as gobo in the art). In accordance with one or more embodiments of the present invention, it has been found that with the use of a close tolerance polymer fresnel lens for output lens 340, patterns formed by gobos placed into a light path by a gobo wheel can be projected by an automated theatre light of one or more embodiments of the present invention without too much distortion caused by any abnormalities of the output lens 340. Generally, the use of a gobo wheel comprising gobo patterns that can be indexed into a light path for projection by an automated theatrical light is known in the art and is disclosed in U.S. Pat. No. 5,402,326 titled "Gobo Holder for a Lighting System", inventor Richard Belliveau (co-inventor on present application). Most high tolerance polymer fresnel lenses are constructed of acrylic however it has been found that the use of a polycarbonate fresnel lens can be used to accommodate the elevated temperatures found in high performance theatrical lights

The base housing 400 has a graphical display 404 and input keys 402a, 402b, 402c and 402d used for setting a communications address as well as controlling other functions of the multiparameter light 100. The multiparameter light also includes a power input cord 406 for connecting the multiparameter light 100 to a source of power.

FIG. 2A shows a more detailed drawing of a possible embodiment for the lamp housing 300. The LED tracking ring 302 is shown constructed of a circular array of LEDs shown as LEDs 350a through 350x that are located along the perimeter of the output lens 340 in a ring like fashion.

FIG. 3 shows an internal look at components of the lamp housing 300 of the multiparameter light 100 in accordance with an embodiment of the present invention. The lamp housing 300 includes, or has located therein, a central lamp 308. The central lamp 308 may be a metal halide, mercury, xenon, halogen, LED or other light source. The central lamp 308 has power wires 312 connected thereto. The central lamp 308 is contained within a reflector 310 that reflects light emitted by the central lamp 308 forward along a light pathway 303 shown by a dashed line. The lamp housing 300 includes, or has located therein, a strobe shutter 313, which is driven by a motor actuator 316s. A gobo wheel 317 is shown and various gobos placed upon the gobo wheel can be driven into the light path or light pathway 303 by motor actuator 316g to be focused by a focusing lens 325 driven by a motor actuator 316g. The lamp housing 300 further includes, or has located therein, a variable iris 314. The variable iris 314 is remotely varied in the light path 303 by a motor actuator 316i. The lamp housing 300 further includes, or has located therein, a color filter wheel 315, which may contain several different colors that can be varied in the light path 303. The color filter wheel 315 is driven by a motor actuator 316w.

The lamp housing 300 may further include, or have located therein, a subtractive color system using Cyan, Magenta and Yellow (referred to as CMY). The subtractive color system may be used to variably modify the colors of the projected light from central lamp 308. The subtractive color system may be constructed of dichroic color filter media that is fashioned into color filter flags 320c, 320m and 320y that are serially positioned in the light path 303 and can be varied across the light path 303 by motors. The color filter flags 320c, 320m, and 320y, may be cyan, magenta, and yellow color filter flags, respectively. The cyan color filter flag 320c

is varied in the light path 303 by a motor actuator 316c. The magenta color filter flag 320m is varied in the light path 303 by a motor actuator 316m. The yellow color filter flag 320y is varied in the light path 303 by a motor actuator 316y. The color filter wheel 315 acts as a color varying system to vary the color of the light emitted by the output lens 340. The system of CMY (cyan, magenta, and yellow) color filters acts as a color varying system to vary the color of the light emitted by the output lens 340.

The focus lens 325 of FIG. 3 is shown varied in the light path 303 by a lead screw system 325w by motor actuator 316f. A first flag 330g is used to vary optical power and is varied in the light path 303 by a motor actuator 316g. A second flag 330h is used to vary optical power and is varied in the light path 303 by a motor actuator 316h. The first and second flags 330g and 330h, respectively, can be constructed of arrays of lenticular lenses, radial lenses or even clear art glass patterned with raised areas that can provide a power of magnification. The optical power varying flags are used to convert the projected output of the output lens 340 from a hard edge (imaging application) to a soft edge (non-imaging application). When the optical power varying flags 330g and 330h are inserted fully into the light path 303, gobo images from the gobo wheel 317 are not focusable and the automated theatre light or multiparameter light 100 converts from a hard edge to a soft edge light output from output lens 340

The output lens 340 is a fresnel lens constructed of a polymer. The polymer material may be clear acrylic or polycarbonate. The output lens 340 is varied in the optical path or light pathway 303 by lead screw system 340w driven by motor actuator 316z. The output lens 340 may work in conjunction with the focus lens 325 to operate as a zoom and focus lens system.

An LED (light emitting diode) 350a is shown along with the simplified wiring connection points 350aw. A second LED (light emitting diode) 350m is shown along with simplified connection points 350bw. The connection points 350aw and 350bw connect to the LED control 442 of FIG. 4 but are not shown connected for simplification. The LEDs 350a and 350m of FIG. 3 are the same as LEDs 350a and 350m of FIG. 2A. In the drawing of the lamp housing 300 of FIG. 3 only two of the LEDs that make up the LED tracking ring 302 of FIG. 2A are shown for simplicity.

FIG. 4 shows components in the base housing 400 of FIG. 1. A power input cord 406 is shown for providing a means of supplying operating power. Two communication input connectors 410 and 412 are shown connected to a communications port 460. The communications port 460 may be constructed of an industry standard RS422 or RS485 driver system as known in the art. The communications port 460 forwards control information to a processor 416. The processor 416 may be a single processor or a plurality of processors working together. The processor 416 working in conjunction with operational code stored in a memory 415 receives commands from a central control system such as a central controller 510 shown in FIG. 5. The processor 416 may send instructions to a motor actuator control 432 to vary the state of motors 316s, 316i, 316w, 316c, 316m, 316y, 316g, 316h, and 316z (wiring connections not shown for simplification). The motors shown are preferably stepping type motor actuators but many other types of actuators known in the art could be used.

The motor control 432 also can vary the pan and tilt motors, not shown for simplification, that cause the lamp housing 300 to tilt in relation to the yoke 110 and the yoke 110 to pan in relation to the base housing 400. The base housing 400 also includes or may have located therein, a motor and logic power

supply **430**, which may supply the necessary power to operate all of the motors and the logic circuitry included or inside the base housing **400**.

The processor **416** may operate to send control signals to a lamp power supply **428** which remotely enable and power the central lamp **308**. The processor **416** may send control signals to an LED control **442** that is connected (wiring not shown for simplification) to the plurality of LEDs **350a** through **350x** that comprise the LED tracking ring **302** of FIG. 1. The LED control **442** provides three separate control signals that include a first control signal for the simultaneous control of all of the red LEDs, a second control signal for the simultaneous control of all of the green LEDs and a third control signal for simultaneous control of all of the blue LEDs that make up the LEDs **350a** through **350x**. Alternatively the LED control **442** may provide a separate control signal for each red, blue and green component of each of the LEDs **350a** through **350x**. The LED power supply **440** may supply the necessary power to operate the LEDs **350a** through **350x** that are provided their driving signals by the LED control **442**. The LEDs **350a** through **350x** emit variably colored light that can color match the color of the light projected by the output lens **340** through the output aperture **340a** shown in FIG. 2A.

External input buttons switches **402a**, **402b**, **402c**, and **402d** may be mounted to a circuit board **402** which may be or may be part of a means for external input commands. The action of switches **402a**, **402b**, **402c**, and **402d** are read by a control input **422** and sent to the processor **416** as external input commands. A display device **404**, which may be a dot matrix or other graphical display, is used to provide feedback to an operator. The display device **404** is driven by a display driver **420** that receives commands from the processor **416** to alter display characters of the display device **404**. The switches **402a**, **402b**, **402c** and **402d**, circuit board **402**, control input **422**, display device **404** and the display driver **420** are components of a stand alone control system **424** shown by the dashed lines.

FIG. 5 shows three multiparameter lights or multiparameter theatre lights **100**, **101** and **102** in accordance with an embodiment of the present invention connected by communications wires **510**, **512** and **514** to a central controller **500**. The central controller **500** can communicate commands to the multiparameter theatre lights **100**, **101** and **102** using the DMX protocol standard developed by the United States Institute for Theatre Technology of Syracuse, N.Y., which is commonly used for communication between theatrical devices. The central controller **500** has a display device **506**, input devices **502** and a keyboard **504**. The input devices **502** include input devices **502c**, **502m**, **502y**, **502r**, **502g**, and **502b**. The input devices **502** and the keyboard **504** may be any type of input devices including potentiometers, encoders or a touch screen that is placed over the display device **506**. An operator of the central controller may remotely operate the lights **100**, **101** and **102** by inputting to the input devices **502c**, **502m**, **502y**, **502r**, **502g**, **502b** and the keyboard **504**. The display device **506** may also be a touch screen display device and as such may also accept input commands from an operator. The central controller **500** may be equipped to vary the color and intensity of the LED tracking ring **302** of FIG. 2A as well as the color and intensity of the light projected from the output lens **340**. The light projected by the output lens **340** and through output aperture **340a** can also be referred to as the main output light. It is preferred that the output lens **340** be both the output lens and have an output aperture **340a**, but is it also possible for the output aperture to be separate from the lens such as when using a clear window placed after the lens. Although only three automated theatre lights **100**, **101** and

102 of an embodiment of the present invention are shown in FIG. 5, many more theatre lights in accordance with one or more embodiments of the invention may be controlled by the central controller **500**.

The LEDs in the color tracking ring **350a** through **350x** of FIG. 2A may each be comprised of a plurality of Red, Green and Blue separate LEDs. FIG. 2B shows LED **350m** of FIG. 2A comprised of separate LEDs **360r**, **360g**, and **360b**. Separate LED **360r** represents a separate red LED, separate LED **360g** represents a separate green LED, and separate LED **360b** represents a separate blue LED. FIG. 2C shows LED **350p** of FIG. 2A comprised of a single LED that has been manufactured to incorporate three LED dies **370r**, **370g**, and **370b** into a single output aperture **370**. It is preferred that the LED tracking ring **302** be comprised of LEDs **350a** through **350x**, each of which have been manufactured to incorporate the red, green and blue LED dies into a single output aperture like the RGB LED shown in FIG. 2C. The single package red, green and blue (RGB) provides a better homogenous color blend to the eye when looking at the system operate.

The multiparameter theatre light **100** can operate to project light (main output light) originating from the central lamp **308** and passing through the output lens **340** and output lens aperture **340a**. The motors **316c**, **316m** and **316y** can be used to vary the color filter flags **320c**, **320m** and **320y** into the light pathway **303**. Varying the color filter flags **320c**, **320m** and **320y** varies the saturation of the cyan, magenta and yellow color, respectively, applied to light in the light pathway **303**. Varying the color of the projected light from a multiparameter theatre light, by using cyan, magenta and yellow filters is well known in the art. This practice is referred to as CMY (cyan, magenta and yellow) color mixing. CMY is also referred to in the art as "subtractive color mixing". A product called "Cyberlight" (trademarked) manufactured by High End Systems and described in the "The High End Systems Product Line 2001" brochure makes use of a CMY system to vary the color of the projected light.

The multiparameter theatre light **100** of FIG. 5 is typically remotely controlled by an operator of the central controller **500**. The operator first selects which of the plurality of multiparameter theatre lights **100**, **101** and **102** the operator wishes to control by inputting an address into the keyboard **504**. If the operator enters the address of light **100** the operator may next vary the CMY saturation of the main output remotely by adjusting input devices **502c** for cyan, **502m** for magenta, and **502y** for yellow. The color varying control commands created by the operator with the control system **500** are sent over the communication wire **510** and received by the communications port **460** of FIG. 4. The communications port **460** passes the commands to the processor **416**. The processor **416** acts on the color varying commands in accordance with the operating software stored in the memory **415** and sends the appropriate control signals to the motor control system **432**. The motor control system **432** sends driving signals to the motors **316c**, **316m** and **316y** to vary the CMY color flags **320c**, **320m**, and **320y**, respectively, into the light path **303** to the desired color variation specified by the operator of the control system **500**.

The operator may individually adjust cyan, magenta or yellow to achieve a mixed color in the visible spectrum.

The multiparameter theatre light **100** of FIG. 5 may also have the LED tracking ring color (i.e. produced by LEDs **350a-x**) varied by an operator of the central controller **500** in a similar manner to the CMY control used for varying the color of the main output (i.e. produced from lamp **308** through aperture **340a** of lens **340**). After selecting the multiparameter theatre light **100**, for example, the operator can adjust the

input devices **502r**, **502g** and **502b**. In response to the adjustment of the input devices **502r**, **502g** and **502b**, the tracking ring color varying commands are created by the central controller **500** and are sent over communications wire **510** to the light **100**. The light **100** receives the tracking ring color varying commands at the communications port **460** and sends the received commands to the processor **416**. The processor **416** acts on these commands in accordance with the operating software stored in the memory **415** and sends the appropriate control signals to the LED control **442**. The LED control **442** sends driving signals to the LEDs **350a** through **350x** to control the LEDs intensity to vary the color emitted by the LEDs to that specified by the operator of the central controller **500**.

When the operator adjusts the input device **502r** of FIG. **5** the intensity of the red part, section, or separate LED of all of the LEDs **350a** through **350x** of FIG. **2A** are simultaneously adjusted. When the operator adjusts the input device **502b** of FIG. **5** the intensity of the blue part, section or separate LED of all of the LEDs **350a** through **350x** of FIG. **2A** are simultaneously adjusted. When the operator adjusts the input device **502g** of FIG. **5** the intensity of the green part, section or separate LED of all of the LEDs **350a** through **350x** of FIG. **2A** are simultaneously adjusted. This allows the operator to control the intensity of the red, green and blue LEDs that make up the LEDs **350a** through **350x** of FIG. **2A**. Controlling the intensity of the red, green and blue LEDs that comprise LEDs **350s** through **350x** provides for an additive color mixing or RGB mixing of the color tracking ring **302**. The term additive color mixing (or RGB color mixing) is well defined in the art. An additive color mixing system combines the primary colors of red, green and blue sources of light (RGB) to produce the secondary colors of cyan, magenta, and yellow (CMY). Combining all three primary colors in equally perceived intensities can produce white. Varying the intensities of the red, green and blue results in producing a wide variation of color. The RGB color mixing allows the color tracking ring **302** to vary color within the visible spectrum in a different way than CMY color mixing that is accomplished by varying the color mixing flags **320c**, **320m** and **320y** into the light path **303** of the projected light that is created by the central lamp **308** and the projected light created by the lamp **308** and projected by through the lens aperture **340a** is referred to as the main output. The operator can use the LED tracking ring **302** to match a visible color of the main output project light. This produces a pleasing effect where the color of the main output projected light is color matched or tracked by the light created by the LED tracking ring **302**.

In practice the multiparameter theatre lights **100**, **101** and **102** of FIG. **5** may each have a blue light projected as a main output projected light from the lens aperture **340a** of FIG. **3** using CMY color mixing and the color tracking ring **302** may be color matched to the blue color of the main output projected light. Alternatively a pleasing complementary color may be created by the color tracking ring **302** in relation to the color of the main output projected light. If the colored light projected by the main output is blue then the color tracking ring **302** may be adjusted by an operator of the central control system **500** using the input controls **502r**, **502b** and **502y** to produce a yellow light by varying the RGB LEDs **350a** through **350x**. The color of the main output projected light can be matched to the color tracking ring **302** by an operator of the central control system **500** of FIG. **5**. Alternatively a complementary color can be created.

The multiparameter theatre light **100** of FIG. **1** can also create a strobing effect of the main output projected light projected through the lens **340** and the aperture **340a** of FIG. **1**. This is accomplished when an operator of the control

system **500** of FIG. **5** selects one of the multiparameter theatre lights **100**, **101** or **102** by inputting the correct address of the desired light the operator wishes to remotely control. If the operator has selected light **100** then the operator may adjust a strobe rate by inputting to the keypad **504**. The rate can be a variable strobe rate but most strobe rates are variable between one Hz to twenty Hz. Upon receiving the main output strobe commands generated by the central controller **500** and sent over the communication wire **510** the light **100** receives the strobe commands at the communications port **460** and sends the received commands to the processor **416**. The processor **416** acts on the main output strobe commands in accordance with the operating software stored in the memory **415** and sends the appropriate control signals to the motor control system **432**. The motor control system **432** sends driving signals to the motor **316s** to drive the strobe shutter **313** into and out of the light path **303** at the desired control rate specified by the operator of the control system **500**. The use of a strobe shutter in a light path of a multiparameter light, in a general sense, is known in the theatre art.

The operator of the control system **500** of FIG. **5** may also wish to control the LED tracking ring **302** to strobe the intensity of the light emitted by the LEDs **350a** through **350x**. The operator of the control system **500** after selecting one or more of the plurality of multiparameter theatre lights **100**, **101** and **102** of FIG. **5** may enter an input with the input keyboard **504** to enter a strobe rate for the LED tracking ring **302**. In this example the operator has selected the light **100** and wishes to control the strobe rate of the LED tracking ring **302** to create a new dynamic effect. The central controller **500** of FIG. **5** sends the LED tracking ring strobe commands to the multiparameter theatre light **100** over communications wire **510**. Upon receiving the LED tracking ring strobe commands generated by the central controller **500** the light **100** receives the LED tracking strobe commands at the communications port **460** and sends the received commands to the processor **416**. The processor **416** acts on these commands in accordance with the operating software stored in the memory **415** and sends the appropriate control signals to the LED control **442**. The LED control **442** sends driving signals to the LEDs **350a** through **350x** to control the LEDs intensity at a rate used to create the required strobe rate. The strobe rate of the LED tracking ring **302** may be synchronous and in phase with the strobe rate of the main output projected light projected through the output lens **340** and through the aperture **340a** or the strobe rate be different. Alternatively, the operator of the central control system **500** of FIG. **5** may cause the strobe rate of the main output projected light to toggle with the strobe of the LED tracking ring **302**. Toggle is explained as the following: When light is being projected from the main output, i.e. from output lens **340**, the LED tracking ring **302** is essentially in a dark phase of the strobe cycle. During the dark portion of the strobe cycle of the main output projected light, the strobe portion of the LED tracking ring **302** is in the illumination phase. In this way a strobe toggle is created by toggling light output between the main output projected light from lens **340** and the light from the LED tracking ring **302** in synchronization.

The commands for the color varying of the main output and the LED tracking ring **302** and the strobe commands for the main output and LED tracking ring **302** can also be created by an operator inputting to the stand alone control system **424**. The operator may input commands through the input devices **402a**, **402b**, **402c** and **402d**. The input commands received by the use of input devices **402a**, **402b**, **402c** and **402d** can be sent from the control input system **422** to the processor **416**. The processor **416** acting in accordance with the memory **415**

can process the commands to control the color varying or strobing of the main output projected light from output lens 340 or the LED tracking ring 302.

The LED tracking ring 302 is shown surrounding the aperture 340a of the output lens 340 and it is preferred to be a ring that surrounds the aperture 340a. The LED tracking ring 302 could take on a different look if desired and may be constructed of a different geometric shape other than a ring. The lamp 308 could also be a plurality of LEDs and in this case the lens 340 would not be required. Alternatively, the output lens 340 and aperture 340a may not be located in the center of the LED tracking ring 302.

The red LEDs of the LED tracking ring 302 may be connectively wired so that all red LED components of the LEDs 350a through 350x of the tracking ring 302 are driven simultaneously as described. The blue LEDs of the LED tracking ring 302 may be wired so that all blue LED components of the LEDs 350a through 350x of the tracking ring 302 are driven simultaneously as described. The LEDs of the LED tracking ring 302 may be wired so that all green LED components of the LEDs 350a through 350x of the tracking ring 302 are driven simultaneously as described. Alternatively separate control of each color component of each LED 350a through 350x may be driven by the LED control 442 of FIG. 4.

We claim:

1. A theatre lighting apparatus comprising:

a base;
a communications port;
an LED control;
a processor;
a memory;
a lamp housing;
the lamp housing comprising:
a central lamp,
a reflector;
a color varying system;
a lens;
an output aperture;
and a plurality of light emitting diodes;

wherein the lamp housing is remotely positioned in relation to the base by a motor;

wherein the central lamp, the reflector, the color varying system, and the lens cooperate to project a first variable colored light;

wherein the plurality of light emitting diodes is comprised of one or more red light emitting diodes, one or more green light emitting diodes, and one or more blue light emitting diodes that cooperate to emit a second variable colored light;

wherein a first command received by the communications port varies the first variable colored light into a first color;

wherein a second command received by the communications port varies the second variable colored light into a second color;

wherein the first command varies the first variable colored light without controlling any of the plurality of light emitting diodes;

wherein the LED control receives the second command from the communications port and controls one or more of the plurality of light emitting diodes in response to the second command in order to control the second variable colored light without varying the first variable colored light;

and wherein the plurality of light emitting diodes are located about the perimeter of the output aperture.

2. The theatre lighting apparatus of claim 1 wherein the first command and the second command are compliant with DMX protocol.

3. The theatre lighting apparatus of claim 1 wherein the color varying system is a subtractive color system.

4. The theatre lighting apparatus of claim 1 wherein a first one of the plurality of light emitting diodes is comprised of a red, green, and blue light emitting diode that comprises red, green and blue dies that project their light from a single output aperture.

5. The theatre lighting apparatus of claim 1 wherein the first color is blue and the second color is blue.

6. The theatre lighting apparatus of claim 1 wherein the first color is blue and the second color is yellow.

7. The theatre lighting apparatus of claim 1 wherein a third command causes the second variable colored light to strobe synchronously and in phase with a strobe of the first variable colored light.

8. The theatre lighting apparatus of claim 1 wherein a third command causes the second variable colored light to strobe and toggle with a strobed light projected through the output aperture.

9. The theatre lighting apparatus of claim 1 wherein the central lamp is a metal halide lamp.

10. The theatre lighting apparatus of claim 1 further comprising a stand alone control system and wherein the stand alone control system controls the varying of the first variable colored light.

11. The theatre lighting apparatus of claim 1 further comprising a stand alone control system and wherein the stand alone control system controls the varying of the second variable colored light.

12. The theatre lighting apparatus of claim 1 wherein the plurality of light emitting diodes are located about the perimeter of the output aperture in a ring like pattern.

13. The theatre lighting apparatus of claim 1 wherein the lens is a polymer fresnel lens.

14. The theatre lighting apparatus of claim 1 wherein the color varying system is comprised of serially positioned color filters comprised of cyan, magenta and yellow colors and wherein the cyan, magenta and yellow color filters form a CMY color mixing system.

15. The theatre lighting apparatus of claim 14 further comprising a gobo wheel for projecting patterns.

16. A theatre lighting apparatus comprising:

a base;
a communications port;
a processor;
a memory;
an LED control;
a lamp housing;
the lamp housing comprising:
a central lamp,
a reflector;
a color varying system;
an output aperture;
and a plurality of light emitting diodes;

wherein the lamp housing is remotely positioned in relation to the base by a motor;

wherein the central lamp, the reflector, and the color varying system cooperate to project a first variable colored light from the output aperture;

wherein the plurality of light emitting diodes is comprised of one or more red, one or more green, and one

11

or more blue light emitting diodes that cooperate to emit a second variable colored light;
 wherein the plurality of light emitting diodes form a light emitting diode tracking system; and
 wherein the LED control controls one or more of the plurality of light emitting diodes in order to control the second variable colored light without varying the first variable colored light.

17. The theatre lighting apparatus of claim 16 wherein the light emitting diode tracking system is comprised of a plurality of light emitting diodes that are located about the output aperture.

18. The theatre lighting apparatus of claim 17 wherein a first one of the plurality of light emitting diodes comprises red, green and blue light emitting diodes integrated into a single output aperture.

19. The theatre lighting apparatus of claim 16 wherein the output aperture is part of a lens.

20. The theatre lighting apparatus of claim 16 wherein the light emitting diode tracking system can emit a strobed light that can toggle with a strobed light projected through the output aperture.

21. A method comprising:
 remotely positioning a lamp housing of a theatre lighting apparatus in relation to a base of the theatre lighting apparatus by motor;
 projecting a first variable colored light from an output aperture of the theatre lighting apparatus by use of and cooperation of a central lamp, a reflector, a color varying system, and a lens of the lamp housing of the theatre lighting apparatus;
 wherein the lamp housing includes a plurality of light emitting diodes which is comprised of one or more red, one or more green, and one or more blue light emitting diodes that cooperate to emit a second variable colored light;
 and further comprising receiving a first command at a communications port of the theatre lighting apparatus, and varying the first variable colored light into a first color in response to the first command, wherein the first command varies the first variable colored light without controlling any of the plurality of light emitting diodes;
 receiving a second command at the communications port of the theatre lighting apparatus and varying the second variable colored light into a second color in response to the second command, without varying the first variable colored light;
 and wherein the plurality of light emitting diodes are located about the perimeter of the output aperture.

22. The method of claim 21 wherein the first command and the second command are compliant with the DMX protocol.

23. The method of claim 21 wherein the color varying system is a subtractive color system.

24. The method of claim 21 wherein a first one of the plurality of light emitting diodes is comprised of a red, green, and blue light emitting diode that comprises red, green and blue diodes that project their light from a single output aperture.

25. The method of claim 24 further comprising providing a gobo wheel for projecting patterns.

26. The method of claim 21 wherein the first color is blue and the second color is blue.

27. The method of claim 21 wherein the first color is blue and the second color is yellow.

12

28. The method of claim 21 further comprising receiving a third command at the communications port of the lighting apparatus and varying the second variable colored light to strobe synchronously and in phase with a strobe of the first variable colored light.

29. The method of claim 21 further comprising receiving a third command at the communications port of the theatre lighting apparatus and varying the second variable colored light to strobe and toggle with a strobed light projected through the output aperture.

30. The method of claim 21 wherein the central lamp is a metal halide lamp.

31. The method of claim 21 further comprising controlling the varying of the first variable colored light with a stand alone control system.

32. The method of claim 21 further comprising controlling the varying of the second variable colored light with a stand alone control system.

33. The method of claim 21 further comprising wherein the plurality of light emitting diodes are located about the perimeter of the output aperture in a ring like pattern.

34. The method of claim 21 wherein the lens is a polymer fresnel lens.

35. The method of claim 21 wherein the color varying system is comprised of serially positioned color filters comprised of cyan, magenta and yellow colors and wherein the cyan, magenta and yellow color filters form a CMY color mixing system.

36. A method comprising:
 remotely positioning a lamp housing of a theatre lighting apparatus in relation to a base of the theatre lighting apparatus by a motor;
 projecting a first variable colored light from an output aperture of the theatre lighting apparatus by use of and cooperation of a central lamp, a reflector, a color varying system, and a lens of the lamp housing of the theatre lighting apparatus;
 wherein the lamp housing includes a plurality of light emitting diodes which is comprised of one or more red, one or more green, and one or more blue light emitting diodes that cooperate to emit a second variable colored light;
 wherein the plurality of light emitting diodes form a light emitting diode tracking system;
 and further comprising controlling the plurality of light emitting diodes with an LED control to thereby control the second variable colored light without controlling the first variable colored light.

37. The method of claim 36 further comprising wherein the light emitting diode tracking system is comprised of a plurality of light emitting diodes that are located about the output aperture.

38. The method of claim 37 wherein a first one of the plurality of light emitting diodes comprises red, green and blue light emitting diodes integrated into a single output aperture.

39. The method of claim 36 wherein the output aperture is part of a lens.

40. The method of claim 36 wherein the light emitting diode tracking system can emit a strobed light that can toggle with a strobed light projected through the output aperture.