



US007441939B2

(12) **United States Patent**  
**Scholeno et al.**

(10) **Patent No.:** **US 7,441,939 B2**  
(45) **Date of Patent:** **Oct. 28, 2008**

(54) **FRONT OR REAR LOADING SOCKET SYSTEM**

7,080,923 B2 \* 7/2006 Plunk et al. .... 362/225  
2004/0032738 A1 \* 2/2004 Harnischmacher ..... 362/296

(75) Inventors: **Michael F. Scholeno**, York, PA (US);  
**Shane Brown**, York, PA (US)

(73) Assignee: **Osram Sylvania Inc.**, Danvers, MA (US)

\* cited by examiner

*Primary Examiner*—Anabel M Ton

(74) *Attorney, Agent, or Firm*—William H. McNeill

(\* ) Notice: Subject to any disclaimer, the term of this patent is extended or adjusted under 35 U.S.C. 154(b) by 0 days.

(57) **ABSTRACT**

(21) Appl. No.: **11/583,471**

(22) Filed: **Oct. 19, 2006**

(65) **Prior Publication Data**

US 2008/0096428 A1 Apr. 24, 2008

(51) **Int. Cl.**  
**F21S 4/00** (2006.01)

(52) **U.S. Cl.** ..... **362/652; 362/225; 362/296**

(58) **Field of Classification Search** ..... 362/296,  
362/225; 439/244

See application file for complete search history.

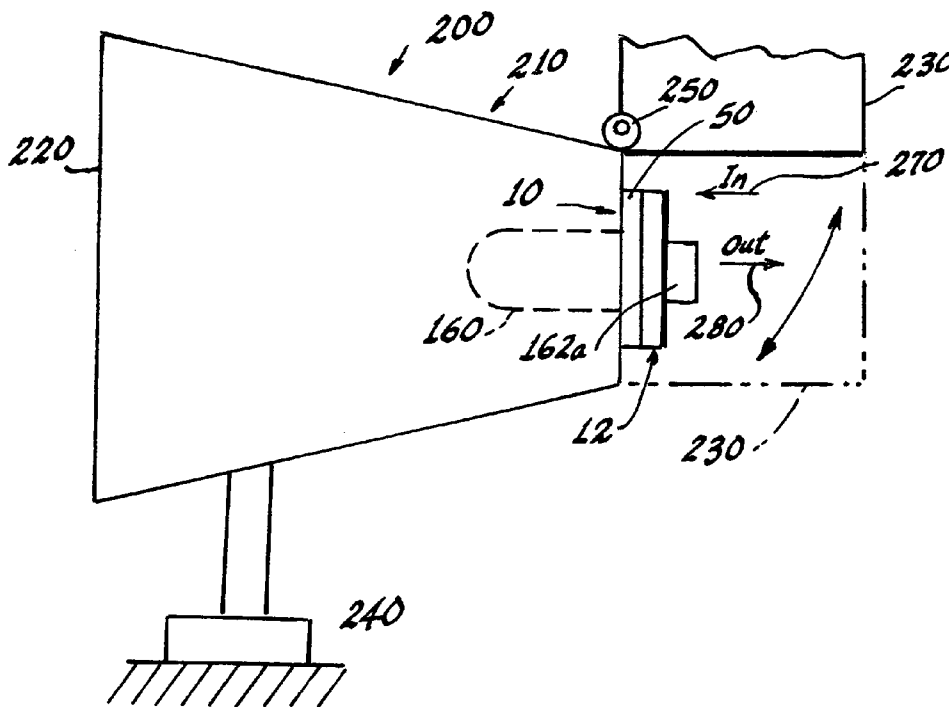
(56) **References Cited**

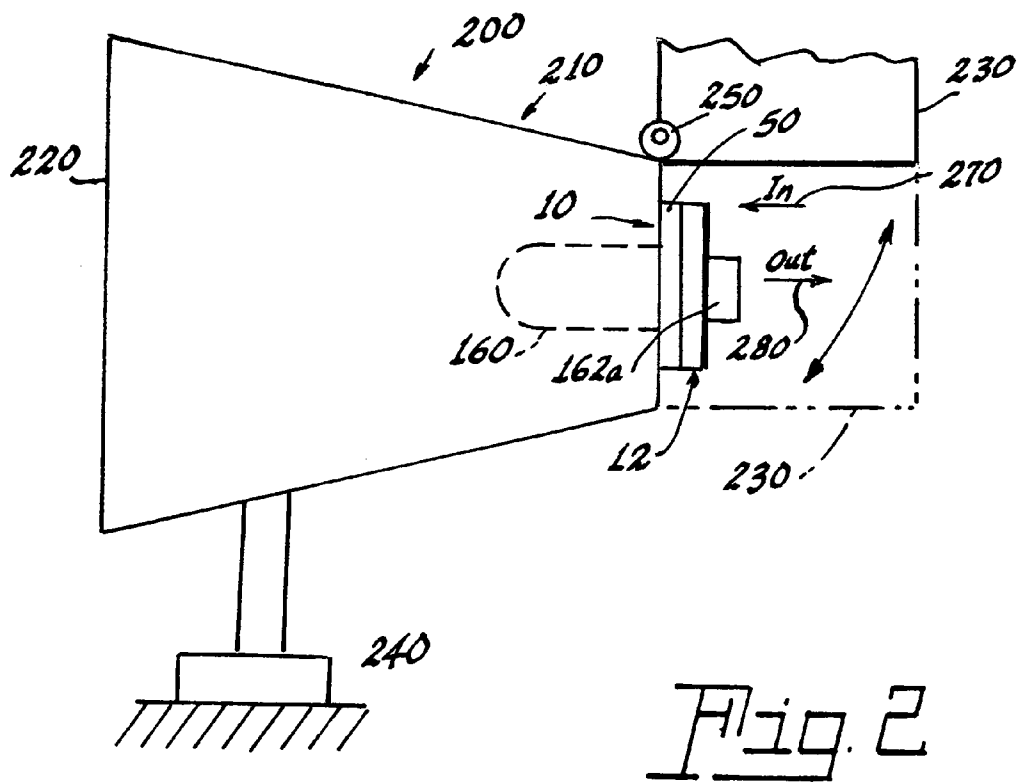
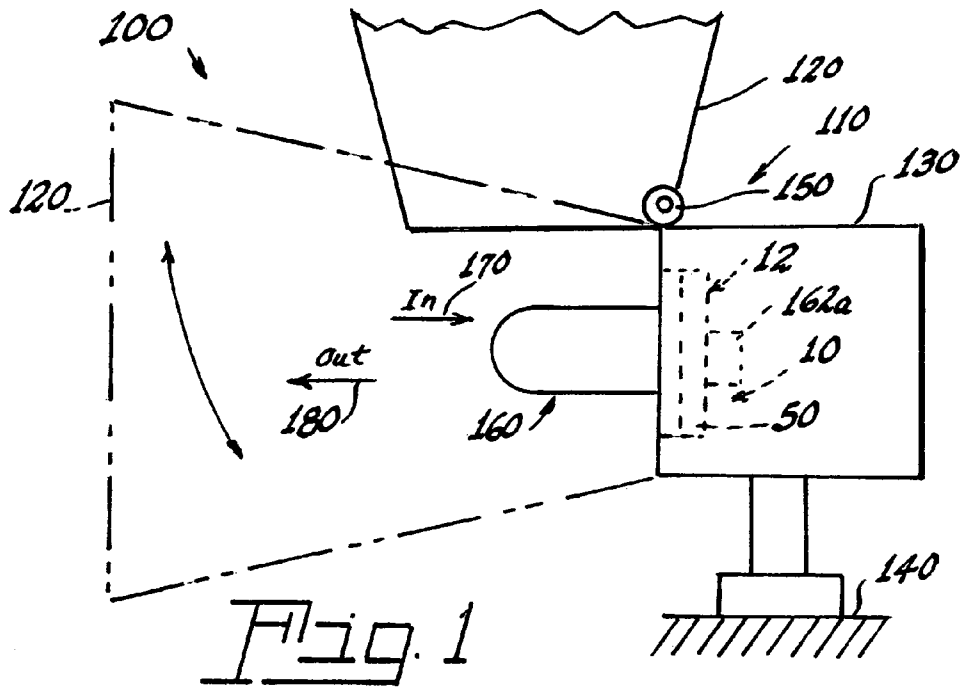
**U.S. PATENT DOCUMENTS**

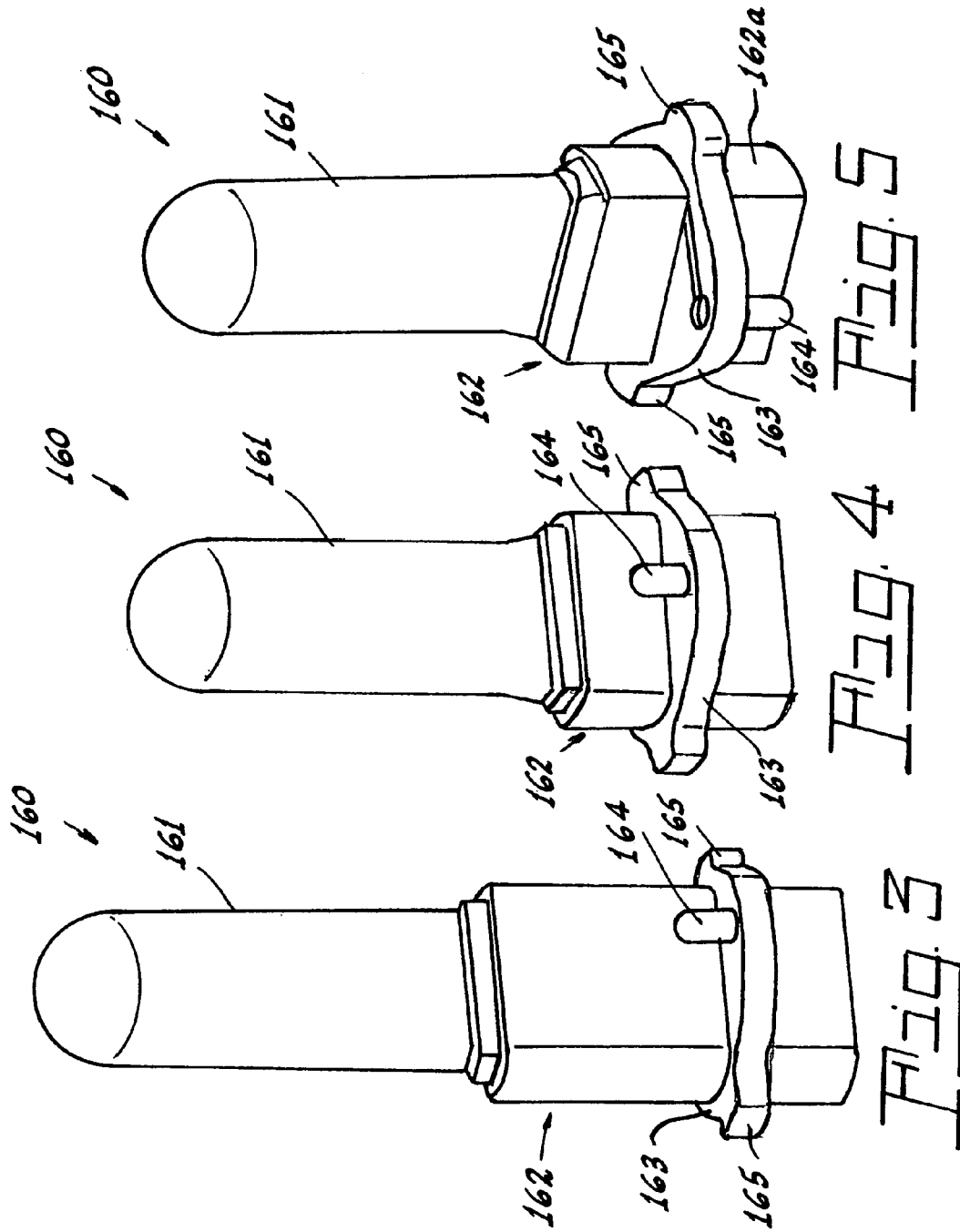
5,924,882 A \* 7/1999 Slazakowski ..... 439/244  
6,162,079 A \* 12/2000 Slazakowski ..... 439/244

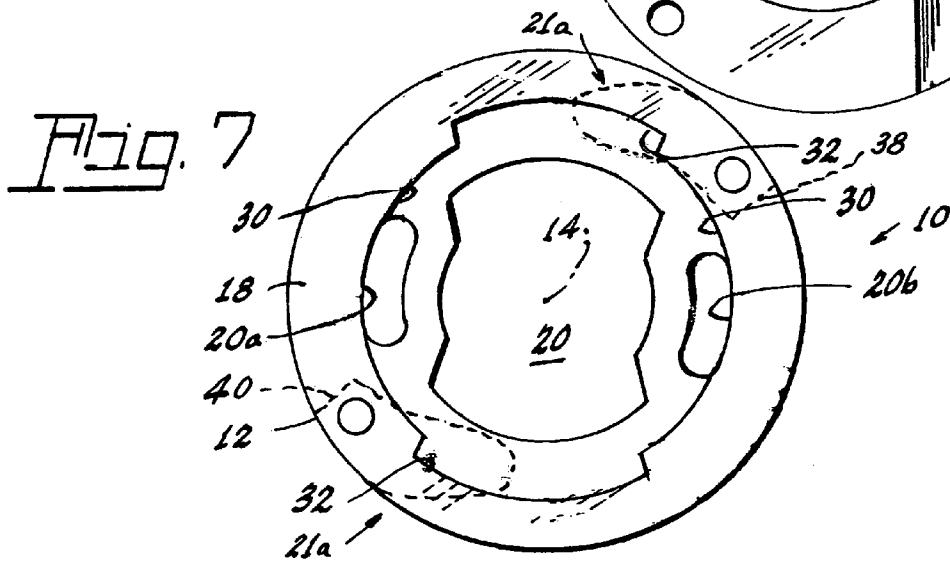
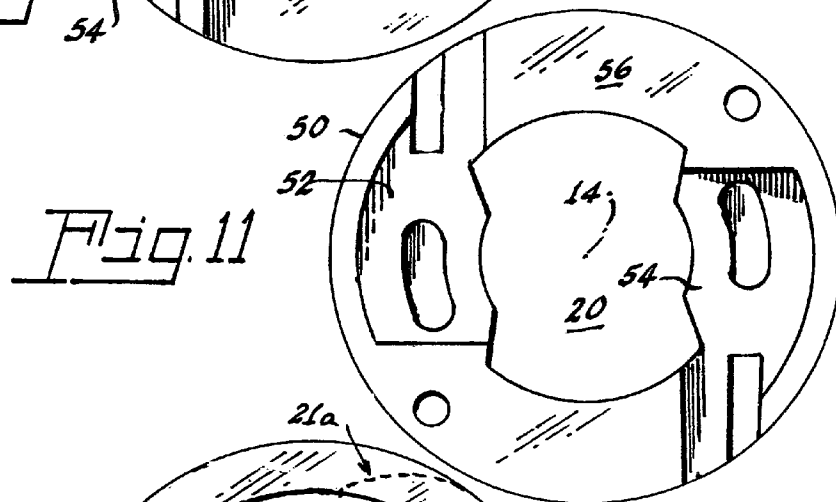
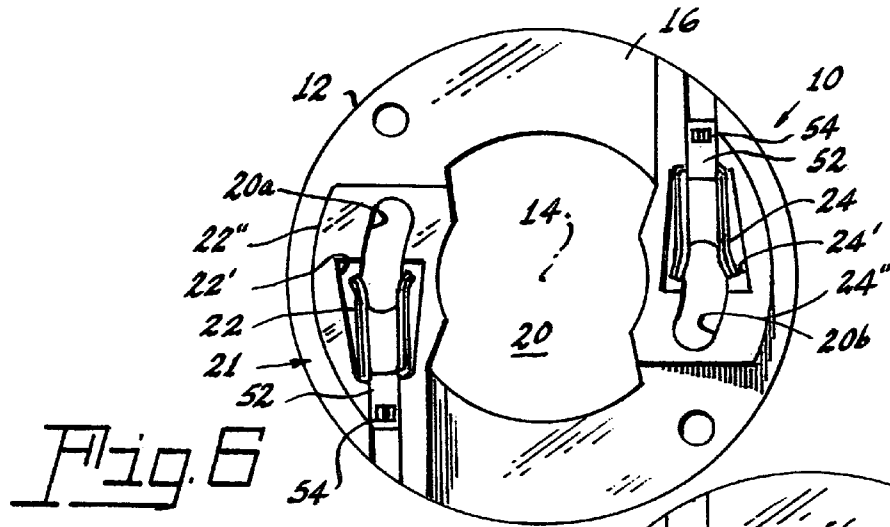
A lamp socket (10) comprises a housing (12) having a longitudinal axis (14) and first and second planar surfaces, (16, 18), respectively, spaced apart along the longitudinal axis (14), and orthogonal thereto. A central, lamp receiving opening (20) is coaxially aligned with the longitudinal axis 14 and mounting means 21 are formed with the first planar surface for accepting, and electrically connecting a lamp, and maintenance means 21a are formed with the second planar surface for maintaining the lamp within the socket. The mounting means (21) includes a first pair of lamp contacts (22, 24) positioned in a first pair of cavities (22', 24') formed in the first planar surface (16). The maintenance means (21a) include first lamp base receivers (30) and second lamp base receivers (32) formed in the second planar surface (18); and first and second lamp base retainers (38, 40), respectively, associated with the second planar surface (18).

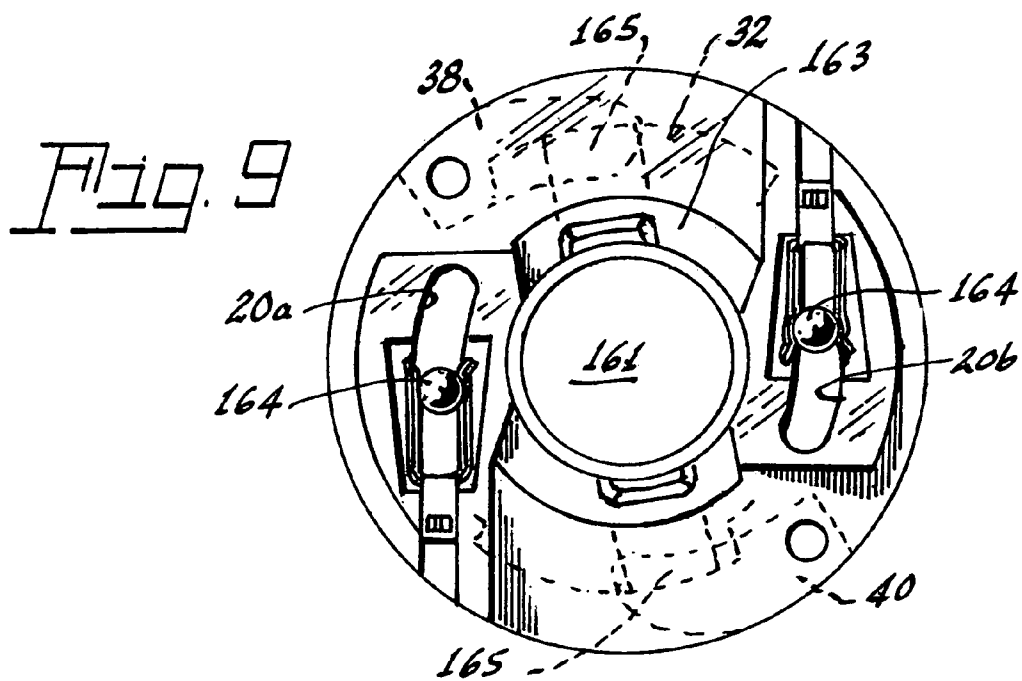
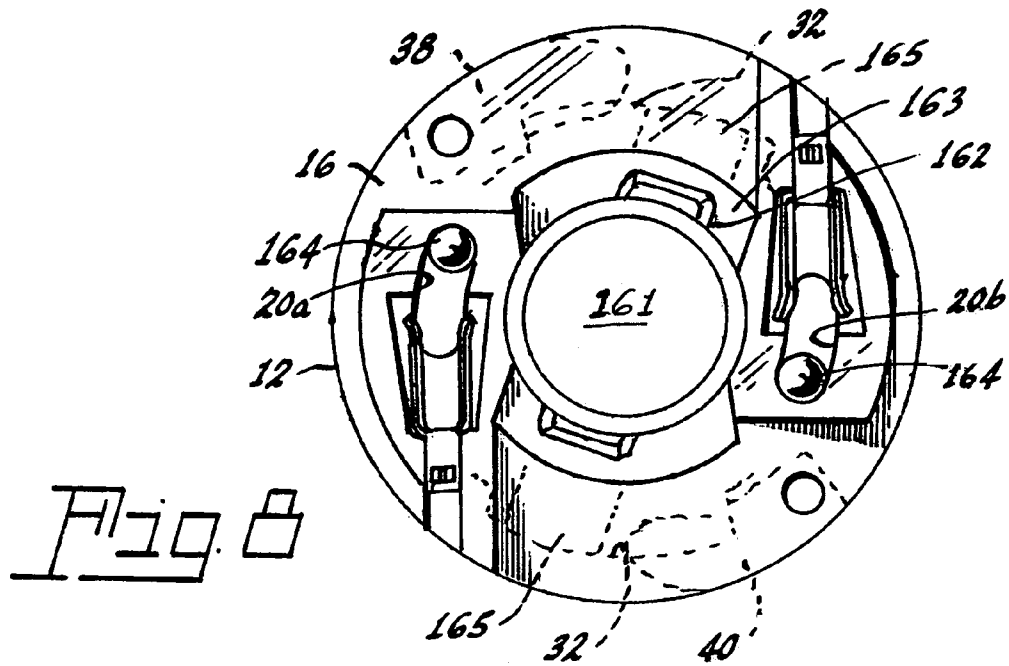
**1 Claim, 7 Drawing Sheets**

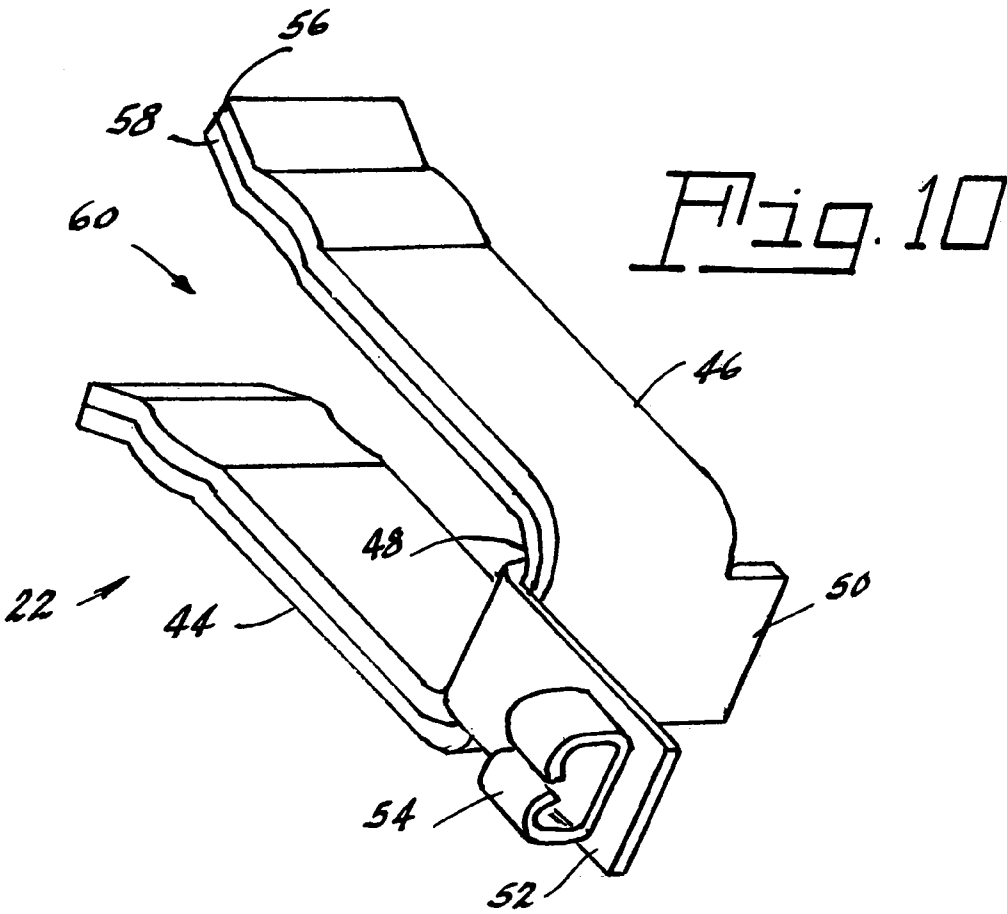












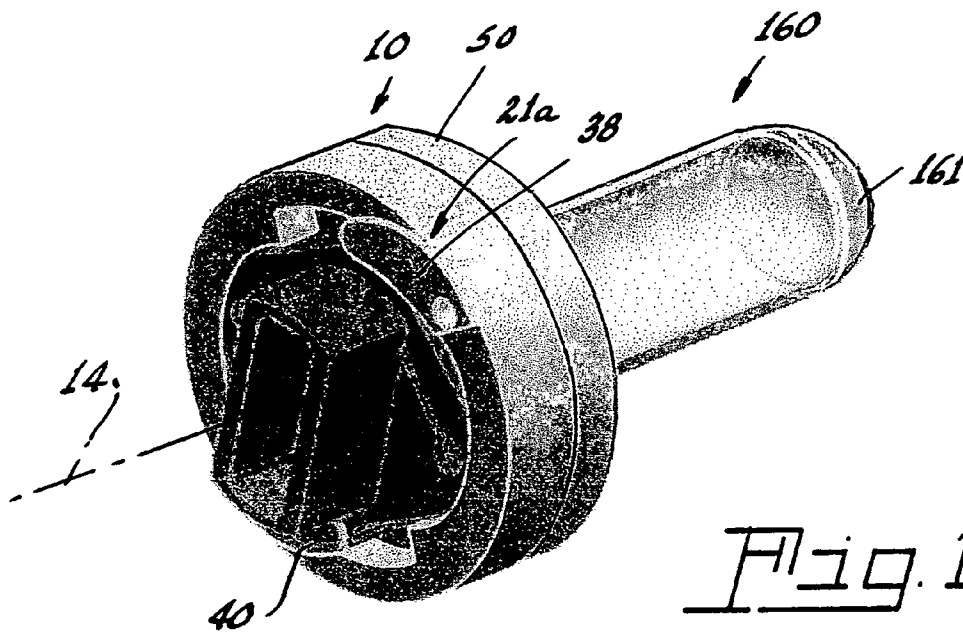
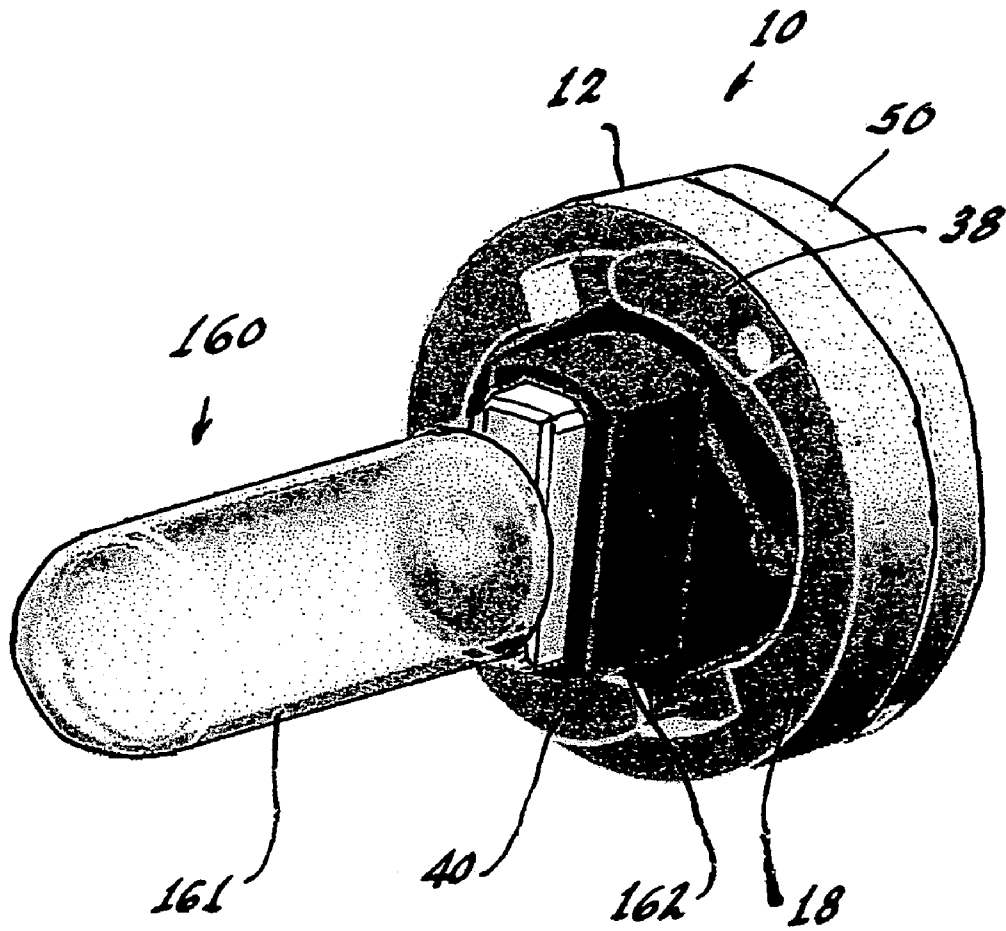


Fig. 12



*Fig. 13*

# 1

## FRONT OR REAR LOADING SOCKET SYSTEM

### TECHNICAL FIELD

This invention relates to lamp sockets and more particularly to lamp sockets that can accept lamps from a front or rear loading position.

### BACKGROUND ART

Lamp fixture manufacturers design fixtures for high power lamps to accept lamps from either a front or rear position. Such designs require a number of different sockets to accept specifically designed lamps. Naturally, this requires manufacturers to keep an inventory of multiple sockets; an expensive and cumbersome approach to fixture design. It would, therefore, be an advance in the art if a single socket could be provided that would accept multiple lamps and that could be positioned to accept lamps from either a forward loading or rear loading fixture.

### DISCLOSURE OF INVENTION

It is, therefore, an object of the invention to obviate the disadvantages of the prior art.

It is another object of the invention to enhance lamp sockets.

Yet another object of the invention is the provision of a lamp socket that can accept multiple lamps from a variety of positions.

These object are accomplished, in one aspect of the invention, by a lamp socket comprising: a housing having a longitudinal axis and first and second planar surfaces spaced apart along the longitudinal axis and orthogonal thereto; a central, lamp receiving opening coaxially aligned with the longitudinal axis; and mounting means formed with the first planar surface for accepting, and electrically connecting a lamp and means formed with the second planar surface for maintaining the lamp within the socket. The socket will accept a lamp from a forward position or a rear entry position and is thus useable in multiple fixtures.

### BRIEF DESCRIPTION OF THE DRAWINGS

- FIG. 1 is a diagrammatic view of a front-loading fixture;  
 FIG. 2 is a diagrammatic view of a rear-loading fixture;  
 FIGS. 3-5 are perspective views of lamps useable with an embodiment of the invention;  
 FIG. 6 is a plan view of a first planar surface of a socket employing an embodiment of the invention;  
 FIG. 7 is a plan view of a second planar surface of a socket employing an embodiment of the invention;  
 FIGS. 8 and 9 illustrate steps in the insertion of a lamp in a socket;  
 FIG. 10 is a perspective view of a spring useable with the invention;  
 FIG. 11 is a plan view of a cover used with an embodiment of the invention;  
 FIG. 12 is a perspective view of a lamp and socket according to an embodiment of the invention; and  
 FIG. 13 is perspective view of a lamp and socket according to another embodiment of the invention.

# 2

## BEST MODE FOR CARRYING OUT THE INVENTION

For a better understanding of the present invention, together with other and further objects, advantages and capabilities thereof, reference is made to the following disclosure and appended claims taken in conjunction with the above-described drawings.

Referring now to the drawings with greater particularity, there is shown in FIG. 1 a front-loading fixture **100** having a housing **110** that includes a front portion **120** and a rear portion **130**. The rear portion **130** can be fixed to a support **140** and the front portion **120** can be opened via a hinge **150** to gain access to a lamp **160** that is inserted into socket **10**. The lamp **160** is inserted and removed from the socket **10** in the directions indicated by the arrows **170**, **180**.

A rear-loading fixture **200** is depicted in FIG. 2 wherein the fixture **200** has a housing **210** with a front portion **220** and a rear portion **230**. In this instance it is the front portion **220** that is fixed to a support **240** and the rear portion **230** that can be opened via a hinge **250** to gain access to a lamp **160** that is inserted into socket **10**. The lamp **160** for fixture **200** is inserted and removed from the rear as indicated by the arrows **270**, **280**.

Referring to FIGS. 3-5, lamps **160** comprise a lamp capsule **161** having a reversible base **162** of a suitable material, such as a high temperature ceramic or plastic. The base **162** includes a flange **163** with a pair of lamp contacts **164** oppositely disposed thereon and projecting therefrom. Lamp retainers **165** are formed with the flange **163** and are orthogonal to the lamp contacts **164**. The bases **162** can have a long body, as is shown in FIG. 3 or a short body, as shown in FIGS. 4 and 5 to accommodate various types of lamp capsules such as tungsten halogen capsules or arc discharge capsules of varying focal length.

The lamps **160**, shown in FIGS. 3 and 4, have the lamp contacts **164** facing forward, that is, towards the lamp capsule, and these lamps are used with fixtures **200**, where the lamps are inserted from the rear of the fixture.

The lamp **160**, shown in FIG. 5, has the lamp contacts **164** facing rearward, that is, away from the lamp capsule and these lamps are employed with fixtures **100**, where the lamp would be inserted from the front of the fixture.

The subject of this invention, a lamp socket **10** that is useable with either type of lamp or either type of fixture, is described below.

Referring now to FIGS. 6 and 7, there is shown a lamp socket **10** having a housing **12** with a longitudinal axis **14** and first and second planar surfaces **16**, **18**, respectively, spaced along the longitudinal axis **14** and orthogonal thereto. A central, lamp receiving opening **20** is coaxially aligned with the longitudinal axis **14**. Mounting means **21** are formed with the first planar surface **16** for accepting and electrically connecting a lamp, and means **21a** are formed with the second planar surface **18** for maintaining a lamp within the socket **10**.

More specifically, in one embodiment of the invention, the mounting means **21** comprises arcuate openings **20a** and **20b** that lead, respectively, into lamp contact engagers **22**, **24** that are positioned in a first pair of cavities **22'**, **24'**. The cavities can be formed directly in the first planar surface **16**; preferably, the cavities are formed in bosses **22"**, **24"** that are raised slightly above the surface **16**, for reasons that will become apparent.

The lamp contact engagers **22**, **24**, one of which, for example contact engager **22**, is shown in FIG. 10, each comprise a U-shaped member **42** having legs **44**, **46** and a bight **48**. A first tab **50** extends from the bight **48** in a direction

3

parallel to the bight 48 and a second tab 52 extends from the bight 48 in a direction orthogonal to the bight. The tab 50 extends into a slot, not shown, formed in the bottom of the cavities 22', 24', to properly position the contacts. A wire connector is 54 formed with the second tab 52 for connecting the lamp to an outside power source. In a preferred embodiment of the invention, the lamp contact engagers 22, 24 are springs having an inner material 56, for example, of nickel to provide a good electrical connection and an outer material 58, for example, of steel to provide the required normal force. Preferably, the entrance 60 of the lamp contact engagers is formed as shown to provide a tactile feel when the bulb is being loaded to allow the operator to know that the bulb is fully inserted. Springs comprised of dual materials are shown in U.S. Pat. No. 7,059,888, issued Jun. 13, 2006 and assigned to the assignee of the instant invention.

Referring now to FIG. 7, first lamp base receivers 30 and second lamp base receivers 32 in the form of arcuate cutouts are formed in the second planar surface 18. The first lamp base receivers 30 receive the portion of flange 163 containing the lamp contacts 164 and the second lamp base receivers 32, which have a larger diameter, receive the lamp retainers 165. First and second lamp base retainer holders 38, 40, respectively, are associated with the second planar surface 18. The lamp base retainer holders 38, 40, can take the form of extended arms that overlie the second lamp base receivers 32 and hold the lamp 160 in position after the lamp 160 has been inserted into the socket 10 and rotated from a first position to a second and locked position, which, in the latter, comprises the lamp retainers 165 being positioned under the lamp retainer holders 38, 40.

FIG. 11 illustrates a cover member 50 that is mounted to the first planar surface 16 and functions to hold the lamp contact engagers 22, 24 in the proper location. Preferably, depressions 52, 54 are formed in the surface 56 of the cover 50 to receive the bosses 22" and 24" formed on the planar surface 16. this feature creates an increased air path to the lamp contact engagers 22, 24.

FIGS. 8 and 9 illustrate the initial loading position of a lamp 160 and the locked position of the lamp 160, respectively, with a socket 10 provided for rear loading of the lamp. As can be seen from a review of the illustrations, the lamp capsule 161 is inserted through the central lamp receiving opening 20 until the lamp contacts 164 penetrate the arcuate openings 20a and 20b. With the lamp 160 fully inserted, the lamp 160 is rotated until the lamp contacts 164 engage the lamp contact engagers 22, 24. At that point the lamp retainers 165 will be positioned under the lamp retainer holders 38, 40

4

and the lamp will be available for operation. A perspective view of a lamp 160 loaded from the rear is shown in FIG. 12.

FIG. 13 provides a perspective view of a lamp 160 when the socket 10 is utilized as a front loading socket. As will be seen from the figure, when utilized as a front loading socket it is the lower portion 162a of the base 162 (see FIGS. 1 and 5) that is inserted into the central lamp opening 20.

Thus there is provided a lamp socket that can function as both a front loading and a rear loading socket, greatly reducing the inventory requirements of fixture manufacturers. The socket can accept tungsten-halogen lamps as well as arc discharge lamps and, additionally, can receive lamps with a wide variance in focal length.

While there have been shown and described what are at present considered to be the preferred embodiments of the invention, it will be apparent to those skilled in the art that various changes and modifications can be made herein without departing from the scope of the invention as defined by the appended claims.

What is claimed is:

1. A front or rear loading lamp socket, said socket comprising:
  - a longitudinal axis and first and second planar surfaces, respectively, spaced apart along said longitudinal axis and orthogonal thereto;
  - a central, lamp receiving opening coaxially aligned with said longitudinal axis and extending through said first and second planar surfaces;
  - mounting means formed with said first planar surface for accepting, and electrically connecting a lamp, and maintenance means formed with said second planar surface for maintaining said lamp within said socket, said mounting means comprising:
    - a first pair of lamp contacts positioned in a first pair of cavities formed in said first planar surface; each of said lamp contacts comprising:
      - a U-shaped member having legs and a bight;
      - a first tab extending from said bight in a direction parallel to said bight; and
      - a second tab extending from said bight in a direction orthogonal to said bight;
    - a wire connector formed with said second tab; and
    - first lamp base receivers and second lamp base receivers formed in said second planar surface; and
    - first and second lamp base retainers associated with said second planar surface.

\* \* \* \* \*