



US007391158B2

(12) **United States Patent**
Espiau et al.

(10) **Patent No.:** **US 7,391,158 B2**
(45) **Date of Patent:** **Jun. 24, 2008**

(54) **PLASMA LAMP WITH DIELECTRIC WAVEGUIDE**

(75) Inventors: **Frederick M. Espiau**, Topanga, CA (US); **Chandrashekar J. Joshi**, Santa Monica, CA (US); **Yian Chang**, Los Angeles, CA (US)

(73) Assignee: **Luxim Corporation**, Sunnyvale, CA (US)

(*) Notice: Subject to any disclaimer, the term of this patent is extended or adjusted under 35 U.S.C. 154(b) by 52 days.

(21) Appl. No.: **11/083,552**

(22) Filed: **Mar. 18, 2005**

(65) **Prior Publication Data**

US 2006/0208645 A1 Sep. 21, 2006

Related U.S. Application Data

(63) Continuation of application No. 10/771,788, filed on Feb. 4, 2004, now Pat. No. 7,348,732, which is a continuation of application No. 09/809,718, filed on Mar. 15, 2001, now Pat. No. 6,737,809.

(60) Provisional application No. 60/222,028, filed on Jul. 31, 2000.

(51) **Int. Cl.**
H05B 37/00 (2006.01)

(52) **U.S. Cl.** **315/39; 315/248; 313/634; 313/636**

(58) **Field of Classification Search** **315/39, 315/248; 313/634, 636**

See application file for complete search history.

(56) **References Cited**

U.S. PATENT DOCUMENTS

3,641,389 A	2/1972	Leidigh
3,787,705 A	1/1974	Bolin et al.
3,826,950 A	7/1974	Hruda et al.
3,860,854 A	1/1975	Hollister
3,942,058 A	3/1976	Haugsjaa et al.
3,943,401 A	3/1976	Haugsjaa et al.
3,993,927 A	11/1976	Haugsjaa et al.
4,001,631 A	1/1977	McNeill et al.
4,041,352 A	8/1977	McNeill et al.
4,053,814 A	10/1977	Regan et al.
4,206,387 A	6/1980	Kramer et al.

(Continued)

FOREIGN PATENT DOCUMENTS

DE 195 32 780 A1 3/1997

(Continued)

OTHER PUBLICATIONS

U.S. Appl. No. 60/192,731, filed Mar. 27, 2000, E. Sandberg et al.

(Continued)

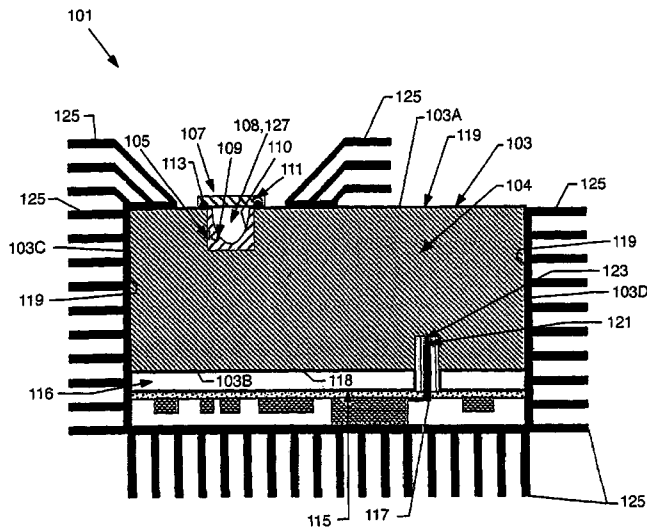
Primary Examiner—David H Vu

(74) *Attorney, Agent, or Firm*—Schwegman, Lundberg & Woessner P.A.

(57) **ABSTRACT**

A dielectric waveguide integrated plasma lamp (DWIPL) with a body consisting essentially of at least one dielectric material having a dielectric constant greater than approximately 2, and having a shape and dimensions such that the body resonates in at least one resonant mode when microwave energy of an appropriate frequency is coupled into the body. A bulb positioned in at least one lamp chamber in the body contains a gas-fill which when receiving energy from the resonating body forms a light-emitting plasma.

38 Claims, 7 Drawing Sheets



U.S. PATENT DOCUMENTS

4,359,668 A 11/1982 Ury
 4,485,332 A 11/1984 Ury et al.
 4,498,029 A 2/1985 Yoshizawa et al.
 4,504,768 A 3/1985 Ury et al.
 4,507,587 A 3/1985 Wood et al.
 4,507,597 A 3/1985 Trost
 4,607,242 A 8/1986 Cozzie
 4,633,128 A 12/1986 Roberts et al.
 4,633,140 A 12/1986 Lynch et al.
 4,652,790 A 3/1987 Wood
 4,673,846 A 6/1987 Yoshizawa et al.
 4,691,179 A 9/1987 Blum et al.
 4,749,915 A 6/1988 Lynch et al.
 4,795,658 A 1/1989 Kano et al.
 4,887,192 A 12/1989 Simpson et al.
 4,902,935 A 2/1990 Wood
 4,908,492 A 3/1990 Okamoto et al.
 4,950,059 A 8/1990 Roberts
 4,954,755 A 9/1990 Lynch et al.
 4,975,625 A 12/1990 Lynch et al.
 4,978,891 A 12/1990 Ury
 5,021,704 A 6/1991 Walker et al.
 5,039,903 A 8/1991 Farrall
 5,051,663 A 9/1991 Ury et al.
 5,070,277 A 12/1991 Lapatovich
 5,072,157 A 12/1991 Greb et al.
 5,077,822 A 12/1991 Cremer
 5,086,258 A 2/1992 Mucklejohn et al.
 5,227,698 A 7/1993 Simpson et al.
 5,313,373 A 5/1994 Bjorner et al.
 5,334,913 A 8/1994 Ury et al.
 5,361,274 A 11/1994 Simpson et al.
 5,404,076 A 4/1995 Dolan et al.
 5,438,242 A 8/1995 Simpson
 5,448,135 A 9/1995 Simpson
 5,498,937 A 3/1996 Korber et al.
 5,525,865 A 6/1996 Simpson
 5,541,475 A 7/1996 Wood et al.
 5,548,182 A 8/1996 Bunk et al.
 5,594,303 A 1/1997 Simpson et al.
 5,786,667 A 7/1998 Simpson et al.
 5,789,863 A 8/1998 Takahashi et al.
 5,814,951 A 9/1998 Smolka et al.
 5,831,386 A 11/1998 Turner et al.
 5,841,242 A 11/1998 Simpson et al.
 5,866,980 A 2/1999 Dolan et al.
 5,903,091 A 5/1999 MacLennan et al.
 5,910,710 A 6/1999 Simpson
 5,910,754 A 6/1999 Simpson et al.
 5,923,116 A 7/1999 Mercer et al.
 5,926,079 A 7/1999 Heine et al.
 5,949,180 A 9/1999 Walker
 6,005,332 A 12/1999 Mercer
 6,016,766 A 1/2000 Pirkle et al.
 6,020,800 A 2/2000 Arakawa et al.
 6,031,333 A 2/2000 Simpson
 6,049,170 A 4/2000 Hochi et al.
 6,084,348 A 7/2000 Love
 6,084,356 A 7/2000 Seki et al.
 6,137,237 A 10/2000 MacLennan et al.
 6,181,054 B1 1/2001 Levin et al.
 6,196,297 B1 3/2001 Campbell et al.
 6,246,160 B1 6/2001 MacLennan et al.
 6,252,346 B1 6/2001 Turner et al.
 6,265,813 B1 7/2001 Knox et al.
 6,291,936 B1 9/2001 MacLennan et al.
 6,310,443 B1 10/2001 MacLennan et al.
 6,313,587 B1 11/2001 MacLennan et al.
 6,326,739 B1 12/2001 MacLennan et al.
 6,424,099 B1 7/2002 Kirkpatrick et al.
 6,476,557 B1 11/2002 Leng et al.

6,509,675 B2 1/2003 MacLennan et al.
 6,566,817 B2 5/2003 Lapatovich
 6,617,806 B2 9/2003 Kirkpatrick et al.
 6,664,842 B1 12/2003 Pobanz
 6,856,092 B2 2/2005 Pothoven et al.
 6,922,021 B2 7/2005 Espiau et al.
 6,949,887 B2 9/2005 Kirkpatrick et al.
 6,962,426 B2 11/2005 Slobodin
 6,980,021 B1 12/2005 Srivastava et al.
 7,253,091 B2 8/2007 Brewer
 2001/0030509 A1 10/2001 Pothoven et al.
 2001/0035720 A1 11/2001 Guthrie et al.
 2002/0001056 A1 1/2002 Sandberg et al.
 2002/0001135 A1 1/2002 Berman et al.
 2002/0011802 A1 1/2002 Espiau et al.
 2002/0030453 A1 3/2002 Kirkpatrick et al.
 2002/0105274 A1 8/2002 Pothoven et al.
 2005/0057158 A1 3/2005 Chang et al.
 2005/0099130 A1 5/2005 Espiau et al.
 2005/0212456 A1 9/2005 Espiau et al.
 2005/0248281 A1 11/2005 Espiau et al.
 2006/0208648 A1 9/2006 Espiau et al.
 2007/0075652 A1 4/2007 Espiau et al.

FOREIGN PATENT DOCUMENTS

EP 0 035 898 A1 3/1981
 EP 0 419 947 A2 9/1990
 JP 8-148127 6/1996
 JP 8148127 6/1996
 WO WO 97/09748 A1 3/1997
 WO WO-9828780 7/1998
 WO WO-9936940 A2 7/1999
 WO WO 00/16365 A1 3/2000
 WO WO-0211181 A1 2/2002
 WO WO 03/083900 A1 10/2003

OTHER PUBLICATIONS

U.S. Appl. No. 60/224,059, filed Aug. 9, 2000, G. Prior et al.
 U.S. Appl. No. 60/224,257, filed Aug. 10, 2000, D. Wilson et al.
 U.S. Appl. No. 60/224,289, filed Aug. 10, 2000, D. Wilson et al.
 U.S. Appl. No. 60/224,290, filed Aug. 10, 2000, D. Wilson et al.
 U.S. Appl. No. 60/224,291, filed Aug. 10, 2000, D. Wilson et al.
 U.S. Appl. No. 60/224,298, filed Aug. 10, 2000, G. Prior et al.
 U.S. Appl. No. 60/224,866, filed Aug. 11, 2000, D. Wilson et al.
 U.S. Appl. No. 60/234,415, filed Sep. 21, 2000, G. Prior et al.
 Pisano, N.A., Amendment and Request for Interference(12pp) and Appendix A(9pp) submitted in U.S. Appl. No. 09/818,092 to Guthrie et al., to USPTO on Nov. 29, 2004.
 Prior, G.A. Declaration(6pp) submitted in U.S. Appl. No. 09/818,092 Guthrie et al.
 Sandberg, E., Declaration submitted in U.S. Appl. No. 09/818,092 Guthrie et al.
 Turner, D., Letter to G.A. Prior(3pp) dated Mar. 31, 2000, submitted in U.S. Appl. No. 09/818,092 Guthrie et al.
 Turner, D., Engineering Services Agreement(3pp); Statement of Work (1p) dated Mar. 31, 2000, submitted in U.S. Appl. No. 09/818,092 Guthrie et al.
 Turner, D., electronic mail message to Wayne Catlett(2pp) sent on Jun. 26, 2000, submitted in U.S. Appl. No. 09/818,092 Guthrie et al.
 Counter Statement Under Rule 7(3) In the Matter of : European Patent Application No. 01957305.4 (EP 1307899), In the Name of : Luxim Corporation dated Jan. 21, 2006 And In The Matter of: An Application Under Section 12 and 82 of the Patents Act 1977 and Articles 1 and 3 of the Protocol on Recognition by Cervasion Limited ("Counterstatement").
 Order to Show Cause Bd. R. 202(d), of Patent Interference No. 105,393 between U.S. Appl. No. 09/818,092 (Guthrie, junior party) and U.S. Patent 6,737,809 (Espiau, senior party) by Administrative Patent Judge S. Medley mailed on Jan. 24, 2006 (Schedule 1 of Counterstatement).
 Guthrie, C., Drawings Submitted with Suggestion of Interference filed Nov. 29, 2004 in U.S. Appl. No. 09/818,092, and Cited in and

Available from Order to Show Cause (OSC) in Patent Interference No. 105,393 mailed from Administrative Patent Judge S. Medley on Jan. 24, 2006. (See p. 10 Lines 1-7 and FN4 of OSC).

Decision of Hon. Thomas WM. Cain, Judge of the Superior Court of California, in *Robert P. Schiro v. Digital Reflection, Inc.*, dated May 11, 2004, (Schedule 2 of Counterstatement).

Mr. Turner's Mar. 31, 2000 Memorandum and Agreement Referred to in Paragraph 19 of the Statement of Case, (Schedule 3 of Counterstatement).

Fusion's International Patent Application WO 99/36940 published Jul. 22, 1999 (Schedule 4 of Counterstatement).

DRI's Schematic dated Apr. 12, 2000 (Schedule 5 of Counterstatement).

Mr. Turner's Notes from the Apr. 11, 2000 Meeting (Schedule 6 of Counterstatement).

Mr. Turner's Apr. 14, 2000 Memorandum and its Attachments including the Second Statement of Work(DRI-00-02), (Schedule 7 of Counterstatement).

DRI's Apr. 20, 2000 Presentation Materials "Dielectric Resonator Concept for Plasma Lamps" (Schedule 8 of Counterstatement).

Excerpt from Professor Joshi's Notebook dated Apr. 20, 2000, (Schedule 9 of Counterstatement).

Mr. Turner's May 12, 2000 Plasma Lamp Development Plan Memorandum, Email and other Attachments thereto, (Schedule 10 of Counterstatement).

Mr. Turner's Oct. 27, 2000 Email, (Schedule 11 of Counterstatement).

Mr. Turner's Nov. 3, 2000 Letter, (Schedule 12 of Counterstatement).

Mr. Turner's May 22, 2001 Letter, (Schedule 13 of Counterstatement).

Declaration of Patent Interference No. 105,393 between U.S. Appl. No. 09/818,092 (Guthrie, junior party) and U.S. Patent 6,737,809 (Espiau, senior party) by Administrative Patent Judge S. Medley mailed on Jan. 24, 2006.

Espiau, Frederick M., et al., U.S. Appl. No. 11/084,069 "Plasma Lamp with Dielectric Waveguide" filed on Mar. 18, 2005.

Espiau, Frederick M., et al., U.S. Appl. No. 11/083,552 "Plasma Lamp with Dielectric Waveguide" filed on Mar. 18, 2005.

Espiau, Frederick M., et al., U.S. Appl. No. 11/083,557 "Plasma Lamp with Dielectric Waveguide" filed on Mar. 18, 2005.

Espiau, Frederick M., et al., U.S. Appl. No. 11/083,558 "Plasma Lamp with Dielectric Waveguide" filed on Mar. 18, 2005.

Espiau, Frederick M., et al., U.S. Appl. No. 11/083,559 "Plasma Lamp with Dielectric Waveguide" filed on Mar. 18, 2005.

Kirkpatrick, Douglas A., U.S. Appl. No. 60/133,885 "High Brightness Microwave Lamp" filed on May 12, 1999.

Kirkpatrick, Douglas A., U.S. Appl. No. 60/177,271 "High Brightness Microwave Lamp" filed on Jan. 21, 2000.

"Coating Definition", from www.answers.com, *Espiau Exhibit 1019*, in *Board of Patent Appeals and Interferences (Interference No. 105,393)*, (Mar. 31, 2006),5 pgs.

"Coating' Definition from online dictionary, www.thefreedictionary.com/coating", *Espiau Exhibit 1020*, in *Board of Patent Appeals and Interferences (Interference No. 105,393)*, (Mar. 21, 2006),4 pgs.

"Coating' Definition from www.WordReference.com", *Espiau Exhibit 1021*, in *Board of Patent Appeals and Interferences (Interference No. 105,393)*, (Mar. 21, 2006),2 pgs.

"Chapter 4—Cavity Resonators, Department of the Army Technical Manual, TM 11-673—Generation and Transmission of Microwave Energy", *Guthrie Exhibit 2104*, *Board of Patent Appeals and Interferences (Interference No. 105,393)*, (Jun. 1953), 12 pgs.

"Definition of 'Waveguide'", *Webster's II New College Dictionary (3rd Edition)*, *Guthrie Exhibit 2047*, *Board of Patent Appeals and Interferences (Interference No. 105,393)*, 2 pgs.

"Diligence Calendar", *Guthrie Exhibit 2044*, *Board of Patent Appeals and Interferences (Interference No. 105,393)*, (Jul. 2000 and Aug. 2000), 1 pg.

"File History US 6,566,817, for High Intensity Discharge Lamp With Only One Electrode, filed Sep. 24, 2001 by Lapatovich, et al.", *Espiau Exhibit 1097*, *Board of Patent Appeals and Interferences (Interference No. 105,393)*, 94 pgs.

"File History of US 6,922,021 for a Microwave Energized Plasma Lamp With Solid Dielectric Waveguide, filed by Jul. 26, 2005 by Espiau, et al.", *Guthrie Exhibit 2078*, *Board of Patent Appeals and Interferences (Interference No. 105,393)*, 468 pgs.

"File History of US 6,962,426 for Recirculation of Reflected Source Light in an Image Projection System, filed Nov. 29, 2001 by Slobodin", *Espiau Exhibit 1096*, *Board of Patent Appeals and Interferences (Interference No. 105,393)*, 116 pgs.

"Fusion Lighting's Website / Lamps for Special Applications", <http://www.web.archive.org/web/20010602134016/fusionlighting.com/special.htm>; *Guthrie Exhibit 2125*, *Board of Patent Appeals and Interferences (Interference No. 105,393)*, (archived Jun. 2, 2001),2 pgs.

"Google "Coating" Definition Search Results", *Espiau Exhibit 1018*, in *Board of Patent Appeals and Interferences (Interference No. 105,393)*, (Mar. 31, 2006),2 pgs.

"Handout for Experiment 1: "Cavity Resonator", Electrical Engineering Department School of Engineering and Applied Science, University of California, Los Angeles", *Espiau Exhibit 1026*, in *Board of Patent Appeals and Interferences (Interference No. 105,393)*, (Winter, 1995),5 pgs.

"Handout for Experiment 3: Cavity Resonator, Electrical Engineering Department, School of Engineering and Applied Science, University of California, Los Angeles", *Espiau Exhibit 1025*, in *Board of Patent Appeals and Interferences (Interference No. 1025)*, (Winter, 1991),15 pgs.

"Luxim Corporation Consulting Agreement", *Espiau Exhibit 1090*, *Board of Patent Appeals and Interferences (Interference No. 105,393)*, (Jun. 12, 2006),6 pgs.

"Luxim Corporation's Website", *Guthrie Exhibit 2114*, *Board of Patent Appeals and Interferences (Interference No. 105,393)*, (Apr. 11, 2006),50 pgs.

"Luxim Corporation, "Microwave Energized Plasma Lamps"; MiPL: Product Development Plan", *Guthrie Exhibit 2009*, *Board of Appeals and Interferences (Interference No. 105,393)*, (Aug. 2002),14 pgs.

"Other Disclosure Materials—File: "An External Heat Sink"", *Guthrie Exhibit 2025*, *Board of Patent Appeals and Interferences (Interference No. 105,393)*, (Jul. 28, 2000),3 pgs.

"Other Disclosure Materials—File: Light Source 2.1", *Guthrie Exhibit 2021*, *Board of Patent Appeals and Interferences (Interference No. 105,393)*, (Aug. 8, 2000),4 pgs.

"Other Disclosure Materials—File: Light Source 2.11", *Guthrie Exhibit 2026*, *Board of Patent Appeals and Interferences (Interference No. 105,393)*, (Jul. 28, 2000),2 pgs.

"Other Disclosure Materials—File: Light Source 2.2A", *Guthrie Exhibit 2022*, *Board of Patent Appeals and Interferences (Interference No. 105,393)*, (Jul. 27, 2000),4 pgs.

"Other Disclosure Materials—File: Light Source 2.6", *Guthrie Exhibit 2023*, *Board of Patent Appeals and Interferences (Interference No. 105,393)*, (Aug. 8, 2000),2 pgs.

"Other Disclosure Materials—File: Light Source 2.9", *Guthrie Exhibit 2024*, *Board of Patent Appeals and Interferences (Interference No. 2024)*, (Jul. 27, 2000),3 pgs.

"Photograph of Gas-Filled Quartz Bulbs", *Guthrie Exhibit 2042*, *Board of Patent Appeals and Interferences (Interference No. 105,393)*, 1 pg.

"Photographs of Full Wavelength Waveguide", *Guthrie Exhibit 2040*, *Board of Patent Appeals and Interferences (Interference No. 105,393)*, 1 pg.

"Photographs of Half Wavelength Ceramic Waveguide", *Guthrie Exhibit 2041*, *Board of Patent Appeals and Interferences (Interference No. 105,393)*, 1 pg.

"Picture of Lamp Fixture", *Guthrie Exhibit 2036*, *Board of Patent Appeals and Interferences (Interference No. 105,393)*, 1 pg.

"Presentation Materials—Wave Guide Material", *Guthrie Exhibit 2067*, *Board of Patent Appeals and Interferences (Interference No. 105,393)*, 7 pgs.

"Priority-Claimed Disclosure Materials—File: Light Source 2.13", *Guthrie Exhibit 2020*, *Board of Patent Appeals and Interferences (Interference No. 105,393)*, (Aug. 3, 2000),2 pgs.

"Priority-Claimed Disclosure Materials—File: Light Source 2.2", *Guthrie Exhibit 2014*, *Board of Patent Appeals and Interferences (Interference No. 105,393)*, (Jul. 27, 2000),3 pgs.

- "Priority-Claimed Disclosure Materials—File: Light Source 2.3", *Guthrie Exhibit 2015, Board of Patent Appeals and Interferences (Interference No. 105,393)*, (Jul. 19, 2000),4 pgs.
- "Priority-Claimed Disclosure Materials—File: Light Source 2.7", *Guthrie Exhibit 2018, Board of Patent Appeals and Interferences (Interference No. 105,393)*, (Jul. 27, 2000), 4 pgs.
- "Priority-Claimed Disclosure Materials—File: Light Source 2.4", *Guthrie Exhibit 2016, Board of Patent Appeals and Interferences (Interference No. 105,393)*, (Aug. 8, 2000),4 pgs.
- "Priority-Claimed Disclosure Materials—File: Light Source 2.5", *Guthrie Exhibit 2017, Board of Patent Appeals and Interferences (Interference No. 105,392)*, (Jul. 28, 2000),4 pgs.
- "Priority-Claimed Disclosure Materials—File: Light Source 2.8", *Guthrie Exhibit 2019, Board of Patent Appeals and Interferences (Interference No. 105,393)*, (Jul. 26, 2000),5 pgs
- "Synonyms for the Word 'Direct', from Thesaurus.com", *Guthrie Exhibit 2110, Board of Patent Appeals and Interferences (Interference No. 105,393)*, (Jun. 18, 2006),1 pg.
- "Turner Engineering Company; Conceptual Design: Final PowerPoint Presentation", *Guthrie Exhibit 2070, Board of Patent Appeals and Interferences (Interference No. 105,393)*, (May 22, 2000),30 pgs.
- "Turner Engineering Corporation's Website", *Guthrie Exhibit 2113, Board of Patent Appeals and Interferences (Interference No. 105,393)*, (Jun. 13, 2006),25 pgs.
- Bergan, D. A., "E-Mail to N. Pisano With Espiau's Objections to Guthrie's Reply Exhibits (Exhibits 2123, 2124, 2125 and 2126)", *Espiau Exhibit 1103, Board of Patent Appeals and Interferences (Interference No. 105,393)*, (Sep. 8, 2006),5 pgs.
- Berman, A., "Declaration", *Guthrie Exhibit 2071, Board of Patent Appeals and Interferences (Interference No. 105,393)*, (Feb. 20, 2006),6 pgs.
- Bleaney, B. J., et al., "Electricity and Magnetism, Second Edition, 1965, Oxford at the Clarendon Press", *Guthrie Exhibit 2108, Board of Patent Appeals and Interferences (Interference No. 105,393)*, (1965),8 pgs.
- Catlett, F. W., "Deposition Transcript", *Guthrie Exhibit 2007, Board of Patent Appeals and Interferences (Interference No. 105,393)*, (Jun. 1, 2005),181 pgs.
- Chang, Y., et al., "Plasma Lamp, U.S. Appl. No. 60/222,028, filed Jul. 31, 2000", *Espiau Exhibit 1012, in Board of Patent Appeals and Interferences (Interference No. 105,393)*, (Jul. 31, 2000),28 pgs.
- Espiau, F. M., et al., "File History, Plasma Lamp With Dielectric Waveguide (U.S. Appl. No. 09/809,718, filed Mar. 15, 2001)", *Espiau Exhibit 1013, in Board of Patent Appeals and Interferences (Interference No. 105,393)*, (Mar. 15, 2001),46 pgs.
- Everett, S., "Declaration", *Guthrie Exhibit 2075, Board of Patent Appeals and Interferences (Interference No. 105,393)*, (Mar. 13, 2006),3 pgs.
- Ghandi, O. P., "Microwave Engineering and Applications, Pergamon Press, Inc.", *Guthrie Exhibit 2119, Board of Patent Appeals and Interferences (Interference No. 105,393)*, (1981),6 pgs.
- Gray, E., "Reply to Office Action of Nov. 3, 2002, in Plasma Lamp With Dielectric Waveguide, U.S. Appl. No. 09/809,718, filed Mar. 11, 2001", *Guthrie Exhibit 2088, Board of Patent Appeals and Interferences (Interference No. 105,393)*, (Mar. 6, 2003),76 pgs.
- Gray, E., "Reply to Office Communication for Plasma Lamp With Dielectric Waveguide, U.S. Appl. No. 09/809,718 (Espiau)", *Guthrie Exhibit 2097, Patent Appeals and Interferences (Interference No. 105,393)*, (Sep. 27, 2003),66 pgs.
- Gupta, M. S., "Corrected Third Declaration", *Guthrie Exhibit 2121, Board of Patent Appeals and Interferences (Interference No. 105,393)*, (Aug. 1, 2006),34 pgs.
- Gupta, M. S., "Curriculum Vitae", *Guthrie Exhibit 2090, Board of Patent Appeals and Interferences (Interference No. 105,393)*, 36 pgs.
- Gupta, M. S., "Declaration", *Guthrie Exhibit 2089, Board of Patent Appeals and Interferences (Interference No. 105,393)*, (May 1, 2006),28 pgs.
- Gupta, M. S., "Deposition Transcript", *Guthrie Exhibit 2122, Board of Patent Appeals and Interferences (Interference No. 105,393)*, (Aug. 16, 2006),17 pgs.
- Gupta, M., "Deposition Transcript", *Guthrie Exhibit 2117, Board of Patent Appeals and Interferences (Interference No. 105,393)*, (Jun. 22, 2006),48 pgs.
- Gupta, M. S., "Espiau Errata to the Transcript of the Aug. 16, 2006 Deposition of Madhu S. Gupta, Ph.D.", *Espiau Exhibit 1089, Board of Patent Appeals and Interferences (Interference No. 105,393)*, (Aug. 16, 2006),2 pgs.
- Gupta, M. S., "Fourth Declaration of Madhu S. Gupta, Ph.D.", *Guthrie Exhibit 2124, Board of Patent Appeals and Interferences (Interference No. 105,393)*, (Sep. 5, 2006),17 pgs.
- Gupta, M. S., "Second Declaration", *Guthrie Exhibit 2105, Board of Patent Appeals and Interferences (Interference No. 105,393)*, (May 22, 2006),24 pgs.
- Gupta, M. S., "Transcription of Deposition of Madhu S. Gupta, Ph.D. (Vol. 111)", *Guthrie Exhibit 2132, Board of Patent Appeals and Interferences (Interference No. 105,393)*, (Oct. 3, 2006),106 pgs.
- Guthrie, C., "Correction Documentation to Light Source Files 2.1-2.13", *Guthrie Exhibit 2032, Board of Patent Appeals and Interferences (Interference No. 105,393)*, (Aug. 3, 2000),2 pgs.
- Guthrie, C., et al., "A Corrugated Wave-Guide Used for the Excitation of an Electrode-Less Metal Halide Plasma Lamp Incorporating a Solid Dielectric Material", *U.S. Appl. No. 60/224,060, filed Aug. 9, 2000 (Guthrie Exhibit 2028, Board of Patent Appeals and Interferences (Interference No. 105,393))*, 9 pgs.
- Guthrie, C., et al., "A Method for Connecting the Antenna on a Printed Wiring Board to a Wave-Guide in a Light Source in Which an Electrode-Less Lamp is Built into the Wave-Guide Structure", *U.S. Appl. No. 60/224,061, filed Aug. 9, 2000 (Guthrie Exhibit 2027, Board of Patent Appeals and Interferences (Interference No. 105,393))*, 9 pgs.
- Guthrie, C., "Ceramic Test Sample; SPL002 Engineering Drawing", *Guthrie Exhibit 2061, Board of Patent Appeals and Interferences (Interference No. 105,393)*, (Apr. 27, 2000), 1 pg.
- Guthrie, C., "Concept 3 With Heat Sink; WGC003 Engineering Drawing", *Guthrie Exhibit 2064, Board of Patent Appeals and Interferences (Interference No. 105,393)*, (May 16, 2000),1 pg.
- Guthrie, C., et al., "Declaration", *Guthrie Exhibit 2006, Board of Patent Appeals and Interferences (Interference No. 105,393)*, (Feb. 20, 2006),14 pgs.
- Guthrie, C., "Half Wavelength Waveguide Drawing (CTS010)", *Guthrie Exhibit 2048, Board of Patent Appeals and Interferences (Interference No. 105,393)*, (Jul. 20, 2000), 1 pg.
- Guthrie, C., "Lamp With Integrated Waveguide Version I; LWG001 Engineering Drawing", *Guthrie Exhibit 2060, Board of Patent Appeals and Interferences (Interference No. 105,393)*, (Apr. 27, 2000),1 pg.
- Guthrie, C., "SPL020: Engineering Drawing", *Guthrie Exhibit 2043, Board of Patent Appeals and Interferences (Interference No. 105,393)*, (Nov. 3, 2000),2 pgs.
- Guthrie, C., "Waveguide Lamp Concept 3; WGC003 Engineering Drawing", *Guthrie Exhibit 2062, Board of Patent Appeals and Interferences (Interference No. 105,393)*, (May 10, 2000),1 pg.
- Guthrie, C., "Waveguide Lamp Concept 3; WGC003 Engineering Drawing—Waveguide Package", *Guthrie Exhibit 2063, Board of Patent Appeals and Interferences (Interference No. 105,393)*, (May 10, 2000),1 pg.
- Hoover, E., "Declaration", *Guthrie Exhibit 2011, Board of Patent Appeals and Interferences (Interference No. 105,393)*, (Feb. 17, 2006),5 pgs.
- Johnson, A., "E-Mail Message to D. Bergan with Espiau's Objections to Guthrie's Opposition Motion Exhibits (Exhibits 2119 and 2120)", *Espiau Exhibit 1102, Board of Patent Appeals and Interferences (Interference No. 105,393)*, (Oct. 16, 2006),7 pgs.
- Joshi, C. J., "Declaration", *Espiau Exhibit 1051, Board of Patent Appeals and Interferences (Interference No. 105,393)*, (May 22, 2006),3 pgs.
- Joshi, C. J., "Deposition Transcript", *Espiau Exhibit 1068, Board of Patent Appeals and Interferences (Interference No. 105,393)*, (Jul. 7, 2006),50 pgs.
- Joshi, C. J., "Handwritten 'Integrated Lamp-Waveguide Concept', with attached note", *Espiau Exhibit 1031, Board of Patent Appeals and Interferences (Interference No. 105,393)*, (Jul. 11, 2000),13 pgs.

- Joshi, C. J., "Notebook Entries", *Espiau Exhibit 1029, Board of Patent Appeals and Interferences (Interference No. 105,393)*, (Apr. 12, 2000 through Apr. 20, 2000), 16 pgs.
- Joshi, C. J., "Provisional Draft "Integrated Lamp Waveguide Concept", attached to E-Mail from Simon, N.", *Espiau Exhibit 1032, Board of Patent Appeals and Interferences (Interference No. 105,393)*, (Jul. 11, 2000), 13 pgs.
- Kipling, K., et al., "High Brightness Electrodeless Lamp for Projection Display, Society for Information Display", *Espiau Exhibit 1079, Board of Patent Appeals and Interferences (Interference No. 105,393)*, (May 1999), 4 pgs.
- Kirkpatrick, D. A., "Aperture Lamps", *Proceedings, 9th International Symposium on Science & Technology of Light Sources, Espiau Exhibit 1082, Board of Patent Appeals and Interferences (Interference No. 105,393)*, (Aug. 2001), 10 pgs.
- Lee, B. T., "Final Office Action, for U.S. Appl. No. 09/818,092, filed Mar. 26, 2001", *Espiau Exhibit 1048, Board of Patent Appeals and Interferences (Interference No. 105,393)*, (Feb. 2, 2004), 6 pgs.
- Lee, B. T., "Office Action for U.S. Appl. No. 09/818,092, filed Mar. 26, 2001", *Guthrie Exhibit 2002, Board of Patent Appeals and Interferences (Interference No. 105,393)*, (Jul. 27, 2004), 6 pgs.
- Lohse, T., "Declaration", *Guthrie Exhibit 2013, Board of Patent Appeals and Interferences (Interference No. 105,393)*, (Feb. 20, 2006), 3 pgs.
- Mancuso, M. J., "Petition to Accept Unintentionally Delayed Claim for Priority Under 35 U.S.C. 119(e) for the Benefit of Prior Filed Provisional Applications", *Guthrie Exhibit 2092, Board of Patent Appeals and Interferences (Interference No. 105,393)*, (Apr. 27, 2006), 6 pgs.
- Mitcheson, T., et al., "Statement of Case, Ceravison Filing in UK Entitlement", *Guthrie Exhibit 2037, Board of Patent Appeals and Interferences (Interference No. 105,393)*, 52 pgs.
- Morgan, R. C., "Espiau Opposition 1", *Board of Patent Appeals and Interferences (Interference No. 105,393)*, (Jul. 18, 2006), 51 pgs.
- Morgan, R. C., "Espiau Opposition 2", *Board of Appeals and Patent Interferences (Interference No. 105,393)*, (Jul. 18, 2006), 50 pgs.
- Morgan, R. C., "Espiau Opposition 3", *Board of Patent Appeals and Interferences (Interference No. 105,393)*, (Jul. 18, 2006), 45 pgs.
- Morgan, R. C., "Espiau Opposition 4", *Board of Patent Appeals and Interferences (Interference No. 105,393)*, (Jul. 18, 2006), 97 pgs.
- Morgan, R. C., "Espiau Reply 2 Re: Espiau's Motion 2", *Board of Patent Appeals and Interferences (Interference No. 105,393)*, (Sep. 5, 2006), 101 pgs.
- Morgan, R. C., "Espiau Reply 4", *Board of Patent Appeals and Interferences (Interference No. 105,393)*, (Sep. 5, 2005), 95 pgs.
- Morgan, R., "Espiau Reply on Motion 3", *Board of Patent Appeals and Interferences (No. 105,393)*, (Sep. 5, 2006), 83 pgs.
- Morgan, M., "Order Approving Trustee's Sale of Debtor's Assets to Wilson/Guthrie (United States Bankruptcy Court—Northern District of California)", *Espiau Exhibit 1086, Board of Patent Appeals and Interferences (Interference No. 105,393)*, (Mar. 10, 2004), 29 pgs.
- Neate, A., "Declaration", *Guthrie Exhibit 2057, Board of Patent Appeals and Interferences (Interference No. 105,393)*, (Feb. 21, 2006), 4 pgs.
- Neate, A., "DRI Dielectric Waveguide Analysis Results Engineering Report", *Guthrie Exhibit 2058, Board of Patent Appeals and Interferences (Interference No. 105,393)*, 5 pgs.
- Neifeld, R., "E-Mail Message to T. Kearney, et al. With Espiau's Objections to Guthrie's Preliminary Motion Exhibits", *Espiau Exhibit 1100, Board of Patent Appeals and Interferences (Interference No. 105,393)*, (May 9, 2006), 7 pgs.
- Neifeld, R., "E-Mail to T. Kearney, et al. With Espiau's Objections to Guthrie's Responsive Motion Exhibits", *Espiau Exhibit 1101, Board of Patent Appeals and Interferences (Interference No. 105,393)*, (May 30, 2006), 5 pgs.
- Neifeld, R., "Espiau Motion 2, Espiau's Claims are not patentable to Guthrie", *Board of Patent Appeals and Interferences (Interference No. 105,393)*, (May 2, 2006), 49 pgs.
- Neifeld, R., "Espiau Motion 3 to Deny Guthrie Benefit of Provisionals", *Board of Patent Appeals and Interferences (Interference No. 105,393)*, (May 2, 2006), 42 pgs.
- Neifeld, R., "Espiau Motion 4 to Add Count 2", *Board of Patent Appeals and Interferences (Interference No. 105,393)*, (May 2, 2006), 83 pgs.
- Patel, M., "Declaration", *Guthrie Exhibit 2073, Board of Patent Appeals and Interferences (Interference No. 105,393)*, (Mar. 14, 2006), 5 pgs.
- Pisano, N. A., "Amendment and Request Under 35 U.S.C. Sec. 1.604 For Interference With Application", *Guthrie Exhibit 2001, Board of Patent Appeals and Interferences (Interference No. 105,393)*, (Apr. 30, 2004), 25 pgs.
- Pisano, N. A., "Declaration", *Guthrie Exhibit 2072, Board of Patent Appeals and Interferences (Interference No. 105,393)*, (Feb. 21, 2006), 14 pgs.
- Pisano, N. A., "Guthrie Contingent Responsive Motion 4", *Board of Patent Appeals and Interferences (Interference No. 105,393)*, (May 23, 2006), 57 pgs.
- Pisano, N. A., "Guthrie Miscellaneous Motion 2", *Board of Patent Appeals and Interferences (Interference No. 105,393)*, (May 2, 2006), 64 pgs.
- Pisano, N. A., "Guthrie Opposition to Espiau Motion 2", *Board of Patent Appeals and Interferences (Interference No. 105,393)*, (Jul. 18, 2006), 84 pgs.
- Pisano, N. A., "Guthrie Opposition to Espiau Motion 3", *Board of Patent Appeals and Interferences (Interference No. 105,393)*, (Jul. 18, 2006), 70 pgs.
- Pisano, N. A., "Guthrie Opposition to Espiau Motion 4", *Board of Patent Appeals and Interferences (Interference No. 105,393)*, (Jul. 18, 2006), 92 pgs.
- Pisano, N. A., "Guthrie Preliminary Motion 1", *Board of Patent Appeals and Interferences (Interference No. 105,393)*, (May 2, 2006), 27 pgs.
- Pisano, N. A., "Guthrie Preliminary Motion 3", *Board of Patent Appeals and Interferences (Interference No. 105,393)*, (May 2, 2006), 18 pgs.
- Pisano, N. A., "Guthrie Reply 1", *Board of Patent Appeals and Interferences (Interference No. 105,393)*, (Sep. 5, 2006), 52 pgs.
- Pisano, N. A., "Guthrie Reply 2", *Board of Patent Appeals and Interferences (Interference No. 105,393)*, (Sep. 5, 2006), 47 pgs.
- Pisano, N. A., "Guthrie Reply 3", *Board of Patent Appeals and Interferences (Interference No. 105,393)*, (Sep. 5, 2006), 45 pgs.
- Pisano, N. A., "Guthrie Reply 4", *Board of Patent Appeals and Interferences (Interference No. 105,393)*, (Sep. 5, 2006), 93 pgs.
- Pisano, N. A., "Guthrie's Objections to Espiau's Opposition Exhibits", *Guthrie Exhibit 2129, Board of Patent Appeals and Interferences (Interference No. 105,393)*, (Jul. 25, 2006), 12 pgs.
- Pisano, N. A., "Guthrie's Objections to Espiau's Preliminary Motion Exhibits", *Guthrie Exhibit 2127, Board of Patent Appeals and Interferences (Interference No. 105,393)*, (May 9, 2006), 10 pgs.
- Pisano, N. A., "Guthrie's Objections to Espiau's Reply Exhibits", *Guthrie Exhibit 2130, Board of Patent Appeals and Patent Interferences (Interference No. 105,393)*, (Sep. 12, 2006), 11 pgs.
- Pisano, N. A., "Guthrie's Objections to Espiau's Supplemental Preliminary Motion Exhibits", *Guthrie Exhibit 2128, Board of Patent Appeals and Interferences (Interference No. 105,393)*, (May 31, 2006), 7 pgs.
- Pisano, N. A., "Guthrie's Objections to Exhibits Introduced in Espiau's Motion to Exclude", *Guthrie Exhibit 2134, Board of Patent Appeals and Interferences (Interference No. 105,393)*, (Oct. 23, 2006), 4 pgs.
- Pisano, N. A., "Second Declaration", *Guthrie Exhibit 2076, Board of Patent Appeals and Interferences (Interference No. 105,393)*, (Mar. 14, 2006), 3 pgs.
- Pisano, N. A., et al., "Transcript of Mar. 21, 2006 Telephone Conference", *Espiau Exhibit 1069, Board of Patent Appeals and Interferences (Interference No. 105,393)*, (Mar. 21, 2006), 117 pgs.
- Pisano, N. A., et al., "Transcript of Telephonic Hearing before Administrative Patent Judge Sally C. Medley", *Guthrie Exhibit 2123, Board of Patent Appeals and Interferences (Interference No. 105,393)*, (Aug. 24, 2006), 33 pgs.
- Pobanz, C. J., "Declaration", *Espiau Exhibit 1030, Board of Patent Appeals and Interferences (Interference No. 105,393)*, (Apr. 27, 2006), 7 pgs.

- Pobanz, C. W., "MasterCard Statement", *Espiau Exhibit 1052, Board of Patent Appeals and Interferences (Interference No. 105,393)*, (Apr. 7, 2000), 3 pgs.
- Pobanz, C. W., "MasterCard Statement", *Espiau Exhibit 1053, Board of Patent Appeals and Interferences (Interference No. 105,393)*, (May 8, 2000), 2 pgs.
- Pobanz, C. W., "Second Declaration", *Espiau Exhibit 1054, Board of Patent Appeals and Interferences (Interference No. 105,393)*, (May 20, 2006), 3 pgs.
- Pozar, D. M., "Curriculum Vitae", *Exhibit 1035, Board of Patent Appeals and Interferences (Interference No. 105,393)*, 3 pgs.
- Pozar, D. M., "Declaration", *Espiau Exhibit 1056, Board of Patent Appeals and Interferences (Interference No. 105,393)*, (Apr. 29, 2006), 14 pgs.
- Pozar, D. M., "Deposition Transcript", *Espiau Exhibit 1063, Board of Patent Appeals and Interferences (Interference No. 105,393)*, (Jun. 19, 2006), 67 pgs.
- Pozar, D. M., "Errata to the Transcript of the Jun. 19, 2006 Deposition of David M. Pozar", *Espiau Exhibit 1064, Board of Patent Appeals and Interferences (Interference No. 105,393)*, (Jul. 6, 2006), 3 pgs.
- Pozar, D. M., "Fourth Declaration of David M. Pozar", *Espiau Exhibit 1085, Board of Patent Appeals and Interferences (Interference No. 105,393)*, (Aug. 31, 2006), 14 pgs.
- Pozar, D. M., "Second Declaration", *Espiau Exhibit 1057, Board of Patent Appeals and Interferences (Interference No. 105,393)*, (May 21, 2006), 4 pgs.
- Pozar, D. M., "Section 4.7 Excitation of Waveguides—Electric and Magnetic Currents", In: *Microwave Engineering*, 3rd Edition, 2005 (John Wiley & Sons, Inc.), *Espiau Exhibit 1077, Board of Patent Appeals and Interferences (Interference No. 105,393)*, (2005), 8 pgs.
- Pozar, D. M., "Section 5.8 Tapered Lines", In: *Microwave Engineering*, 3rd Edition, 2005 (John Wiley & Sons, Inc.), *Espiau Exhibit 1036, Board of Patent Appeals and Interferences (Interference No. 105,393)*, (2005), 9 pgs.
- Pozar, D. M., "Section 6.4 Circular Waveguide Cavities", in: *Microwave Engineering*, 3rd Edition, 2005 (John Wiley & Sons, Inc.), *Espiau Exhibit 1076, Board of Patent Appeals and Interferences (Interference No. 105,393)*, (2005), 8 pgs.
- Pozar, D. M., "Third Declaration", *Espiau Exhibit 1078, Board of Patent Appeals and Interferences (Interference No. 105,393)*, (Jul. 13, 2006), 9 pgs.
- Prior, G.A., *Patent Disclosure Summary (undated)*, 2 pgs.
- Prior, G. A., et al., *Patent Disclosure Summary*, (Aug. 10, 2000), 3 pages.
- Prior, G., et al., "Quartz Bulb Enclosed in a Wave-Guide", *U.S. Appl. No. 60/234,415, filed Sep. 21, 2000 (Espiau Exhibit 1006, Board of Patent Appeals and Interferences (Interference No. 105,393))*.
- Prior, G., et al., "Wave-Guide Used for the Excitation of an Electrode-Less Metal Halide Plasma Lamp Incorporating a Solid Dielectric Material", *U.S. Appl. No. 60/224,059, filed Aug. 9, 2000 (Guthrie Exhibit 2049, Board of Patent Appeals and Interferences (Interference No. 105,393))*.
- Prior, G., et al., "Wave-Guide Used for the Excitation of an Electrode-Less Metal Halide Plasma Lamp Incorporating a Solid Dielectric Material", *U.S. Appl. No. 60/224,298, filed Aug. 10, 2000 (Guthrie Exhibit 2054, Board of Patent Appeals and Interferences (Interference No. 105,393))*.
- Sandberg, E., et al., "A Mechanical Means of Sealing the Window to an Electrode-Less Metal Halide Lamp that is Integrated into a Waveguide", *U.S. Appl. No. 60/262,536, filed Jan. 17, 2001 (Guthrie Exhibit 2094, Board of Patent Appeals and Interferences (Interference No. 105,393))*, 6 pgs.
- Sandberg, E., "An Improved Drive Circuit for an Electrode-Less Plasma Lamp That is Embedded in a Waveguide", *U.S. Appl. No. 60/241,198, filed Oct. 17, 2000 (Guthrie Exhibit 2093, Board of Patent Appeals and Interferences (Interference No. 105,393))*, 7 pgs.
- Sandberg, E., "Declaration", *Guthrie Exhibit 2035, Board of Patent Appeals and Interferences (Interference No. 105,393)*, (Dec. 12, 2005), 3 pgs.
- Sandberg, E., "Declaration of Edmund Sandberg", *Guthrie Exhibit 2010, Board of Patent Appeals and Interferences (Interference No. 105,393)*, (Feb. 20, 2006), 14 pgs.
- Sandberg, E., et al., "High Efficiency Prism Assembly for Image Projection", *U.S. Appl. No. 60/192,258, filed Mar. 27, 2000 (Espiau Exhibit 1094, Board of Patent Appeals and Interferences (Interference No. 1094))*, 21 pgs.
- Sandberg, E., "Light Source for Use in Microdisplay Based Light Engines", *U.S. Appl. No. 60/192,731, filed Mar. 27, 2000 (Guthrie Exhibit 2045, Board of Patent Appeals and Interferences (Interference No. 105,393))*.
- Shatz, N., et al., "Optimal Design of Nonimaging Projector Lens for Use With an RF-Powered Source and a Rectangular Target", *Proceedings of SPIE, vol. 4446, Espiau Exhibit 1080, Board of Patent Appeals and Interferences (Interference No. 105,393)*, (2002), 14 pgs.
- Simon, N., "Declaration", *Espiau Exhibit 1055, Board of Patent Appeals and Interferences (Interference No. 105,393)*, (May 18, 2006), 4 pgs.
- Smoler, D. E., "Declaration", *Guthrie Exhibit 2074, Board of Patent Appeals and Interferences (Interference No. 105,393)*, (Mar. 13, 2006), 6 pgs.
- Stallman, M., "Declaration", *Guthrie Exhibit 2012, Board of Patent Appeals and Interferences (Interference No. 105,393)*, (Feb. 21, 2006), 4 pgs.
- Thomas, T., "Guthrie Declaration of Tony Thomas", *Guthrie Exhibit 2008, Board of Patent Appeals and Interferences (Interference No. 105,393)*, (Feb. 19, 2006), 4 pgs.
- Turner, B. P., "Curriculum Vitae of Brian P. Turner, Ph.D.", *Espiau Exhibit 1065, Board of Patent Appeals and Interferences (Interference No. 105,393)*, 4 pgs.
- Turner, B. P., "Declaration", *Espiau Exhibit 1066, Board of Patent Appeals and Interferences (Interference No. 105,393)*, (Jul. 12, 2006), 4 pgs.
- Turner, D., "Declaration", *Espiau Exhibit 1034, Board of Patent Appeals and Interferences (Interference No. 105,393)*, (Apr. 27, 2006), 5 pgs.
- Turner, B. P., "Deposition Transcript of Brian P. Turner, Ph.D.", *Espiau Exhibit 1099, Board of Patent Appeals and Interferences (Interference No. 105,393)*, (Oct. 6, 2006), 85 pgs.
- Turner, D. B., "Deposition Transcript of David B. Turner", *Espiau Exhibit 1067, Board of Patent Appeals and Interferences (Interference No. 105,393)*, (Jul. 6, 2006), 56 pgs.
- Turner, D., "E-Mail Message to Chan Joshi, et al.", *Guthrie Exhibit 2065, Board of Patent Appeals and Interferences (Interference No. 105,393)*, (May 15, 2000), 1 pg.
- Turner, D., "E-Mail Message to Chan Joshi, et al., with attached PowerPoint Presentation", *Guthrie Exhibit 2069, Board of Patent Appeals and Interferences (Interference No. 105,393)*, (May 18, 2000), 32 pgs.
- Turner, D., "E-Mail Message to Charles Guthrie", *Guthrie Exhibit 2068, Board of Patent Appeals and Interferences (Interference No. 105,393)*, (May 17, 2000), 1 pg.
- Turner, D., "E-Mail Message to Charlie Guthrie", *Guthrie Exhibit 2066, Board of Patent Appeals and Interferences (Interference No. 105,393)*, (May 15, 2000), 1 pg.
- Turner, D., "E-Mail Message to Greg Prior", *Guthrie Exhibit 2059, Board of Patent Appeals and Interferences (Interference No. 105,393)*, (Apr. 16, 2000), 1 pg.
- Turner, B. P., "Second Declaration of Brian P. Turner", *Espiau Exhibit 1091, Board of Patent Appeals and Interferences (Interference No. 105,393)*, (Sep. 19, 2006), 2 pgs.
- Vu, D. H., "Notice of Allowability for "Plasma Lamp With Dielectric Waveguide", *U.S. Appl. No. 09/809,718, filed Mar. 15, 2001*", *Espiau Exhibit 1047, Board of Patent Appeals and Interferences (Interference No. 105,393)*, (Dec. 12, 2003), 3 pgs.
- Vu, D. H., "Office Action re: Plasma Lamp With Dielectric Waveguide", *U.S. Appl. No. 09/809,718, filed Mar. 15, 2001*", *Guthrie Exhibit 2087, Board of Patent Appeals and Interferences (Interference No. 105,393)*, (Nov. 6, 2002), 18 pgs.
- Vu, D. H., "Office Communication for U.S. Appl. No. 09/809,718, filed Jul. 18, 2003", *Guthrie Exhibit 2096, Board of Patent Appeals and Interferences (Interference No. 105,393)*, (Jul. 18, 2006), 2 pgs.
- Westberg, D. J., "Response to Office Action Mailed Jun. 17, 2002 (in Improved High Intensity Light Source, U.S. Appl. No. 09/818,092, filed Mar. 26, 2001)", *Espiau Exhibit 1043, Board of Patent Appeals and Interferences (Interference No. 105,393)*, (Jun. 5, 2003), 27 pgs.

- Wharmby, D. O., "Chapter 11—Electrodeless Lamps", In: *Lamps & Lighting*, 4th Edition, 1997 (Arnold & John Wiley & Sons, Inc., *Espiau Exhibit 1039, Patent Appeals and Interferences (Interference No. 105,393)*, (1997),13 pgs.
- Wharmby, D. O., "Corrected Third Declaration of David O. Wharmby", *Espiau Exhibit 1083, Board of Patent Appeals and Interferences (Interference No. 105,393)*, (Aug. 3, 2006),28 pgs.
- Wharmby, D. O., "Curriculum Vitae", *Espiau Exhibit 1038, Board of Patent Appeals and Interferences (Interference No. 105,393)*, (Nov. 2005),7 pgs.
- Wharmby, D. O., "Declaration", *Espiau Exhibit 1040, Board of Patent Appeals and Interferences (Interference No. 105,393)*, (May 2, 2006),20 pgs.
- Wharmby, D. O., "Deposition Transcript", *Espiau Exhibit 1061, Board of Patent Appeals and Interferences (Interference No. 105,393)*, (Jun. 15, 2006),57 pgs.
- Wharmby, D. O., "Electrodeless Lamps for Lighting: A Review", *IEE Proceedings-A, Vol. 140(6), Guthrie Exhibit 2085, Board of Patent Appeals and Interferences (Interference No. 105,393)*, (Nov. 1993),9 pgs.
- Wharmby, D. O., "Errata to the Transcript of the Jun. 15, 2006 Deposition of David O Wharmby", *Espiau Exhibit 1062, Board of Patent Appeals and Interferences (Interference No. 105,393)*, (Jul. 7, 2006),4 pgs.
- Wharmby, D. O., "Fourth Declaration of David O. Wharmby", *Espiau Exhibit 1084, Board of Patent Appeals and Interferences (Interference No. 105,393)*, (Aug. 31, 2006),18 pgs.
- Wharmby, D. O., "Second Declaration", *Espiau Exhibit 1058, Board of Patent Appeals and Interferences (Interference No. 105,393)*, (May 23, 2006),5 pgs.
- Wilson, D. , "Declaration", *Guthrie Exhibit 2034, Board of Patent Appeals and Interferences (Interference No. 105,393)*, (Dec. 12, 2005),3 pgs.
- Wilson, D. , et al., "Electrode-Less Metal Halide Plasma Lamp With Integrated Electronics", *U.S. Appl. No. 60/224,290, filed Aug. 10, 2000 (Guthrie Exhibit 2052, Board of Patent Appeals and Interferences (Interference No. 105,393))*.
- Wilson, D. , "Guthrie Declaration of Donald Wilson", *Guthrie Exhibit 2039, Board of Patent Appeals and Interferences (Interference No. 105,393)*, (Feb. 18, 2006),10 pgs.
- Wilson, D. , et al., "High Temperature, Low Cost Window Sealing Technique for Plasma Lamps", *U.S. Appl. No. 60/224,291, filed Aug. 10, 2000 (Guthrie Exhibit 2053, Board of Patent Appeals and Interferences (Interference No. 105,393))*.
- Wilson, D. , et al., "Light Source Consisting of an Electrode-Less Metal Halide Plasma Bulb That is Integrated Into a Wave-Guide", *U.S. Appl. No. 60/224,289, filed Aug. 10, 2000 (Guthrie Exhibit 2051, Board of Patent Appeals and Interferences (Interference No. 105,393))*.
- Wilson, D. , et al., "Means to Reduce EMI in a Wave-Guide", *U.S. Appl. No. 60/224,503, filed Aug. 10, 2000 (Guthrie Exhibit 2029 and 2102, Board of Patent Appeals and Interferences (Interference No. 105,393))*, 20 pgs.
- Wilson, D. , et al., "R.F. Wave-Guide Into Which an Insert of a Hermetic Material That Has Been Either Molded or Plasma Deposited", *U.S. Appl. No. 60/224,257, filed Aug. 10, 2000 (Guthrie Exhibit 2050, Board of Patent Appeals and Interferences (Interference No. 105,393))*.
- Wilson, D. , et al., "Use of a Coating to Prevent the Reduction of Ceramic to Elemental Metal in the Bulb of a Wave-Guide Lamp", *U.S. Appl. No. 60/224,866, filed Aug. 11, 2000 (Guthrie Exhibit 2055, Board of Patent Appeals and Interferences (Interference No. 105,393))*.
- Wilson, D. , et al., "Use of a Heat Sink in a Plasma Light Source (Located Between a Wave Guide That Incorporates the Bulb and the Drive Electronics)", *U.S. Appl. No. 60/224,961, filed Aug. 11, 2000 (Guthrie Exhibit 2030, Board of Patent Appeals and Interferences (Interference No. 105,393))*, 6 pgs.
- Wilson, D. , et al., "Use of a Heat Sink in a Plasma Light Source (Located Externally and Surrounding the Lamp Assembly)", *U.S. Appl. No. 60/224,617, filed Aug. 11, 2000 (Guthrie Exhibits 2031 and 2103, Board of Patent Appeals and Interferences (Interference No. 105,393))*, 20 pgs.
- "A Ceramic Wave-Guide Lamp—From a Concept to Reality", *Espiau Exhibit 1208, Board of Patent Appeals and Interferences (Interference No. 105,393)*, (Aug. 4, 2000),12 pgs.
- "An Integrated Lamp—Waveguide Concept", *Espiau Exhibit 1032, Board of Patent Appeals and Interferences (Interference No. 105,393)*, (Jul. 11, 2000),13 pgs.
- "U.S. Appl. No. 09/809,718, Amendments Under 37 C.F.R. Sec. 1.312 mailed Dec. 15, 2003", 9 pgs.
- "U.S. Appl. No. 10/356,340, Non-Final Office Action mailed Jun. 10, 2004", 6 pgs.
- "U.S. Appl. No. 10/356,340, Notice of Allowance mailed Oct. 21, 2004", 4 pgs.
- "U.S. Appl. No. 10/356,340, Notice of Allowance mailed Feb. 23, 2005", 4 pgs.
- "U.S. Appl. No. 10/356,340, Reply filed Oct. 7, 2004 to Office Action mailed Jun. 10, 2004", 95 pgs.
- "U.S. Appl. No. 10/947,800 Non Final Office Action mailed Jul. 12, 2007", 16 pgs.
- "U.S. Appl. No. 11/010,093 Non Final Office Action mailed Apr. 4, 2007", 22 pgs.
- "U.S. Appl. No. 11/010,093 Non Final Office Action mailed Jun. 14, 2006", 25 pgs.
- "U.S. Appl. No. 11/010,093 Response filed Dec. 13, 2006 to Non Final Office Action mailed Jun. 14, 2006", 13 pgs.
- "U.S. Appl. No. 10/771,788 Non Final Action mailed Mar. 27, 2007", 4 pgs.
- "U.S. Appl. No. 10/771,788 Non Final Action mailed Jun. 19, 2006", 5 pgs.
- "U.S. Appl. No. 10/771,788 Response filed Sep. 27, 2007 to Action mailed on Mar. 27, 2007", 8 pgs.
- U.S. Appl. No. 10/771,788 Amendment and Response filed Dec. 18, 2006 to Non-Final Office Action mailed Jun. 19, 2006.
- "U.S. Appl. No. 11/083,557 Non Final Office Action mailed Aug. 30, 2006", 18 pgs.
- "U.S. Appl. No. 11/083,557 Notice of Allowance mailed May 3, 2007", 19 pgs.
- "U.S. Appl. No. 11/083,557 Preliminary Amendment filed Jul. 15, 2005", 4 pgs.
- "U.S. Appl. No. 11/083,557 Response filed Jan. 19, 2007 to Non Final Office Action mailed Aug. 30, 2006", 13 pgs.
- "U.S. Appl. No. 11/083,558 Preliminary Amendment filed Apr. 26, 2007", 5 pgs.
- "U.S. Appl. No. 11/083,558 Preliminary Amendment filed Jul. 15, 2005", 4 pgs.
- "U.S. Appl. No. 11/084,069, Non-Final Office Action mailed Aug. 9, 2007", 35 pgs.
- "U.S. Appl. No. 11/084,177 Non Final Office Action mailed Aug. 9, 2007", 34 pgs.
- "U.S. Appl. No. 11/084,177 Preliminary Amendment filed Jul. 15, 2005", 4 pgs.
- "U.S. Appl. No. 11/618,673 Preliminary Amendment filed Dec. 29, 2006", 8 pgs.
- "Channel Microwave Quote No. 100102 re: Various Items", *Espiau Exhibit 1162, Board of Patent Appeals and Interferences (Interference No. 105,393)*, (May 18, 200),2 pgs.
- "Complaint for Damages and Injunctive and Other Relief", *Guthrie Exhibit 2229, Board of Patent Appeals and Interferences (Interference No. 105,393)*, (Oct. 23, 2001),38 pgs.
- "Conference Call", *Guthrie Exhibit 2230, Board of Patent Appeals and Interferences (Interference No. 105,393)*, (Feb. 9, 2006),25 pgs.
- "Conference Call", *Guthrie Exhibit 2225, Board of Patent Appeals and Interferences (Interference No. 105,393)*, (Mar. 8, 2007),24 pgs.
- "Coorstek Quotation", *Espiau Exhibit 1197, Board of Patent Appeals and Interferences (Interference No. 105,393)*, (Aug. 2, 2000),3 pgs.
- "Cross-Examination of Carl W. Pobanz", *Espiau Exhibit 1236, Board of Patent Appeals and Interferences (Interference No. 105,393)*, Merrill Legal Solutions,(Aug. 19, 2007),68 pgs.
- "Cross-Examination of David Pozar", *Espiau Exhibit 1063, Board of Patent Appeals and Interferences (Interference No. 105,393)*, (Jun. 19, 2006),196 pgs.
- "Cross-Examination of Matt Espiau (Videotaped)", *Espiau Exhibit 1239, Board of Patent Appeals and Interferences (Interference No. 105,393)*, Merrill Legal Solutions,(Aug. 17, 2007),225 pgs.

- “Declaration of Carl W. Pobanz”, *Espiau Exhibit 1030, Board of Patent Appeals and Interferences (Interference No. 105,393)*, (Apr. 27, 2006),7 pgs.
- “Declaration of Chandrashekhar J. Joshi”, *Espiau Exhibit 1051, Board of Patent Appeals and Interferences (Interference No. 105,393)*, (May 22, 2006),3 pgs.
- “Declaration of David Turner”, *Espiau Exhibit 1034, Board of Patent Appeals and Interferences (Interference No. 105,393)*, (Apr. 27, 2006),5 pgs.
- “Declaration of Ellen Thotus”, *Espiau Exhibit 1242, Board of Patent Appeals and Interferences (Interference No. 105,393)*, (Aug. 29, 2007),3 pgs.
- “Declaration of Frederick Matthew Espiau”, *Guthrie Exhibit 2227, Board of Patent Appeals and Interferences (Interference No. 105,393)*, (Jun. 9, 2000),68 pgs.
- “Declaration of Frederick Matthew Espiau”, *Espiau Exhibit 1168, Board of Patent Appeals and Interferences (Interference No. 105,393)*, (Jul. 29, 2007),17 pgs.
- “Declaration of Penny Ortega”, *Espiau Exhibit 1244, Board of Patent Appeals and Interferences (Interference No. 105,393)*, (Aug. 29, 2007),3 pgs.
- “Declaration of Regis C. Worley, Jr.”, *Guthrie Exhibit 2234, Board of Patent Appeals and Interferences (Interference No. 105,393)*, (Aug. 20, 2007),3 pgs.
- “Deposition (video transcript) of Chandrashekhar Joshi, M.D.”, *Espiau Exhibit 1234, Board of Patent Appeals and Interferences(Interference No. 105,393)*, Merrill Legal Solutions,(Aug. 13, 2007),152 pgs.
- “Deposition of Anthony Cooper”, *Guthrie Exhibit 2218, Board of Patent Appeals and Interferences (Interference No. 105,393)*, (Aug. 9, 2007),27 pgs.
- “Deposition of Chandrashekhar J. Joshi”, *Espiau Exhibit 1068, Board of Patent Appeals and Interferences (Interference No. 105,393)*, (Jul. 7, 2006),139 pgs.
- “Deposition of Charles Guthrie”, *Guthrie Exhibit 2222, Board of Patent Appeals and Interferences (Interference No. 105,393)*, (Aug. 14, 2007),23 pgs.
- “Deposition of David B. Turner”, *Espiau Exhibit 1237 Board of Patent Appeals and Interferences (Interference No. 105,393)*, Merrill Legal Services,(Aug. 20, 2007),201 pgs.
- “Deposition of David Smoler”, *Guthrie Exhibit 2223, Board of Patent Appeals and Interferences (Interference No. 105,393)*, (Aug. 15, 2007),19 pgs.
- “Deposition of Dennis R. Nunes”, *Guthrie Exhibit 2214, Board of Patent Appeals and Interferences (Interference No. 105,393)*, (Aug. 6, 2007),24 pgs.
- “Deposition of Donald M. Wilson”, *Guthrie Exhibit 2215, Board of Patent Appeals and Interferences (Interference No. 105,393)*, (Aug. 6, 2007),77 pgs.
- “Deposition of Floyd Pothoven”, *Guthrie Exhibit 2219, Board of Patent Appeals and Interferences (Interference No. 105,393)*, (Aug. 9, 2007),23 pgs.
- “Deposition of Gregory Prior”, *Guthrie Exhibit 2216, Board of Patent Appeals and Interferences (Interference No. 105,393)*, (Aug. 7, 2007),43 pgs.
- “Deposition of Joseph Bennett”, *Guthrie Exhibit 2221, Board of Patent Appeals and Interferences (Interference No. 105,393)*, (Aug. 12, 2007),17 pgs.
- “Deposition of Madhu S. Gupta, Ph.D.”, *Guthrie Exhibit 2220, Board of Patent Appeals and Interferences (Interference No. 105,393)*, (Aug. 10, 2007),38 pgs.
- “Deposition of Shelby Katz”, *Guthrie Exhibit 2224, Board of Patent Appeals and Interferences (Interference No. 105,393)*, (Aug. 16, 2007),15 pgs.
- “Deposition of Vivek Gandhi”, *Guthrie Exhibit 2217, Board of Patent Appeals and Interferences (Interference No. 105,393)*, (Aug. 8, 2007),14 pgs.
- “Diagram”, *Guthrie Exhibit 2205, Board of Patent Appeals and Interferences(Interference No. 105,393)*, (No date listed),1 pg.
- “Diagram”, *Guthrie Exhibit 2200, Board of Patent Appeals and Interferences(Interference No. 105,393)*, (No date listed),1 pg.
- “Dielectric Resonator Concept for Plasma Lamps”, *Espiau Exhibit 1138, Board of Patent Appeals and Interferences(Interference No. 105,393)*, (Apr. 20, 2000),5 pgs.
- “DRI—Tenco Team Plasma Lamp Business Model”, *Espiau Exhibit 1145, Board of Patent Appeals and Interferences(Interference No. 105,393)*, (prior to Jul. 30, 2007),1 pg.
- “DRI Schematic”, *Espiau Exhibit 1132, Board of Patent Appeals and Interferences(Interference No. 105,393)*, (Jul. 30, 2007),2 pgs.
- “E-mail to D. Turner et al”, *Espiau Exhibit 1228, Board of Patent Appeals and Interferences(Interference No. 105,393)*, (May 14, 2002),1 pg.
- “E-mail to Espiau re: Lamp Project”, *Espiau Exhibit 1226, Board of Patent Appeals and Interferences(Interference No. 105,393)*, (Apr. 23, 2002),1 pg.
- “E-mail to Espiau re: Meeting”, *Espiau Exhibit 1227, Board of Patent Appeals and Interferences(Interference No. 105,393)*, (Apr. 26, 2002),1 pg.
- “E-mail to Nicola A Pisano”, *Guthrie Exhibit 2232, Board of Patent Appeals and Interferences (Interference No. 105,393)*, (May 23, 2007),1 pg.
- “E-mail to Nicola A Pisano”, *Guthrie Exhibit 2233, Board of Patent Appeals and Interferences (Interference No. 105,393)*, (Aug. 21, 2007),1 pg.
- “E-mail to Wayne Catlett et al, re Lamp Schedule”, *Espiau Exhibit 1224, Board of Patent Appeals and Interferences(Interference No. 105,393)*, (Jul. 21, 2000),1 pg.
- “Errata to the transcript of the Aug. 13, 2007 deposition of Chandrashekhar J. Joshi”, *Espiau Exhibit 1235, Board of Patent Appeals and Interferences (Interference No. 105,393)*, (Aug. 28, 2007),5 pgs.
- “Errata to the transcript of the Aug. 14, 2007 deposition of Charles Guthrie”, *Guthrie Exhibit 2238, Board of Patent Appeals and Interferences (Interference No. 105,393)*, (Aug. 30, 2007),3 pgs.
- “Errata to the transcript of the Aug. 15, 2007 deposition of David Smoler”, *Guthrie Exhibit 2237, Board of Patent Appeals and Interferences (Interference No. 105,393)*, (Aug. 29, 2007),3 pgs.
- “Errata to the transcript of the Aug. 17, 2007 Deposition of Frederick “Matt” Espiau”, *Espiau Exhibit 1240, Board of Patent Appeals and Interferences (Interference No. 105,393)*, (Aug. 28, 2007),4 pgs.
- “Errata to the transcript of the Aug. 20, 2007 Deposition of David B. Turner”, *Espiau Exhibit 1238, Board of Patent Appeals and Interferences (Interference No. 105,393)*, (Aug. 27, 2007),3 pgs.
- “Errata to the transcript of the Aug. 6, 2007 deposition of Donald M. Wilson”, *Guthrie Exhibit 2236, Board of Patent Appeals and Interferences (Interference No. 105,393)*, (Aug. 29, 2007),3 pgs.
- “Errata to the transcript of the Aug. 9, 2007 Deposition of Anthony Cooper”, *Guthrie Exhibit 2239, Board of Patent Appeals and Interferences (Interference No. 105,393)*, (Aug. 30, 2007),3 pgs.
- “Errata to the transcript of the Aug. 9, 2007 deposition of Floyd Pothoven”, *Guthrie Exhibit 2235, Board of Patent Appeals and Interferences (Interference No. 105,393)*, (Aug. 29, 2007),3 pgs.
- “Espiau Motion 7 for Priority”, *Guthrie, et al. v. Espiau et al., Board of Patent Appeals and Interferences (Interference No. 105,393)*, (Jul. 30, 2007),94 pgs.
- “Espiau notice of deposition for cross examination and intent to vido record the deposition of Dennis Nunes”, *Espiau Exhibit 1223, Board of Patent Appeals and Interferences(Interference No. 105,393)*, (Aug. 6, 2007),3 pgs.
- “Espiau Opposition 7 (to Guthrie Priority Motion 7)”, *Espiau, Board of Patent Appeals and Interferences (Interference No. 105,393)*, (Aug. 31, 2007),121 pgs.
- “Espiau Third Declaration of David B. Turner”, *Espiau Exhibit 1233, Board of Patent Appeals and Interferences (Interference No. 105,393)*, (Aug. 21, 2007),10 pgs.
- “Experiment 1: Cavity Resonator, School of Engineering and Applied Science”, *Espiau Exhibit 1026, Board of Patent Appeals and Interferences(Interference No. 105,393)*, (Winter, 1995),5 pgs.
- “Experiment 3: Cavity Resonator, School of Engineering and Applied Science”, *Espiau Exhibit 1025, Board of Patent Appeals and Interferences(Interference No. 105,393)*, (Oct. 24, 1990),15 pgs.
- “Fifth Declaration of David M. Pozer”, *Espiau Exhibit 1183, Board of Patent Appeals and Interferences(Interference No. 105,393)*, (Jul. 30, 2007),17 pgs.

- "Financial Ledger", *Espiau Exhibit 1241, Board of Patent Appeals and Interferences (Interference No. 105,393)*, (1999-2001),3 pgs.
- "FWH of U.S. Appl. No. 60/222,028 for Plasma Lamp", *Espiau Exhibit 1012, Board of Patent Appeals and Interferences (Interference No. 105,393)*, 28 pgs.
- "Graph With Handwritten Notes", *Espiau Exhibit 1155, Board of Patent Appeals and Interferences (Interference No. 105,393)*, (prior to Jul. 30, 2007),3 pgs.
- "Guthrie Exhibit List", *Espiau, Board of Patent Appeals and Interferences (Interference No. 105,393)*, (Aug. 31, 2007),13 pgs.
- "Guthrie Opposition 7", *Espiau, Board of Patent Appeals and Interferences (Interference No. 105,393)*, (Aug. 31, 2007),122 pgs.
- "Handwritten Provisional Draft for An Integrated Lamp Waveguide Concept", *Espiau Exhibit 1031, Board of Patent Appeals and Interferences (Interference No. 105,393)*, (Jul. 30, 2007),13 pgs.
- "Handwritten Notes re: Discussion with Wayne, Ingmar, David and Chan", *Espiau Exhibit 1207, Board of Patent Appeals and Interferences (Interference No. 105,393)*, (prior to Jul. 30, 2007),1 pg.
- "<http://www.laseraware.com/history.html>", *Guthrie Exhibit 2206, Board of Patent Appeals and Interferences (Interference No. 105,393)*, (Apr. 11, 2006),1 pg.
- "In Re Digital Reflections, Inc.—Chapter 7 Bankruptcy", *Espiau Exhibit 1243, Board of Patent Appeals and Interferences (Interference No. 105,393)*, (May 28, 2002),57 pgs.
- "Invoice relating to DRI Plasma Lamp Project", *Exhibit 1219, Board of Patent Appeals and Interferences (Interference No. 105,393)*, (Jun. 6, 2000),3 pgs.
- "IPLDWC Design I Drawings", *Espiau Exhibit 1180, Board of Patent Appeals and Interferences (Interference No. 105,393)*, (Jul. 14, 2000),2 pgs.
- "Luxim Corporation Project Summit", *Guthrie Exhibit 2201, Board of Patent Appeals and Interferences (Interference No. 105,393)*, (Jun. 17, 2007),20 pgs.
- "MasterCard Statement—TravelersBank", *Espiau Exhibit 1027, Board of Patent Appeals and Interferences (Interference No. 105,393)*, (Apr. 2000),1 pg.
- "May 21, 2007 Hearing", *Guthrie Exhibit 2231, Board of Patent Appeals and Interferences (Interference No. 105,393)*, (May 21, 2007),33 pgs.
- "Miscellaneous Handwritten Notes", *Espiau Exhibit 1213, Board of Patent Appeals and Interferences (Interference No. 105,393)*, (prior to Jul. 30, 2007),1 pg.
- "Miscellaneous Handwritten Notes", *Espiau Exhibit 1189, Board of Patent Appeals and Interferences (Interference No. 105,393)*, (Jul. 28, 2000),2 pgs.
- "Miscellaneous Handwritten Notes", *Espiau Exhibit 1153, Board of Patent Appeals and Interferences (Interference No. 105,393)*, (May 3, 2000),4 pgs.
- "Miscellaneous Handwritten Notes", *Espiau Exhibit 1137, Board of Patent Appeals and Interferences (Interference No. 105,393)*, (Apr. 20, 2000),3 pgs.
- "Miscellaneous Handwritten Notes", *Espiau Exhibit 1169, Board of Patent Appeals and Interferences (Interference No. 105,393)*, (Jun. 12, 2000),1 pg.
- "Miscellaneous Handwritten Notes", *Espiau Exhibit 1190, Board of Patent Appeals and Interferences (Interference No. 105,393)*, (Jul. 28, 2000),2 pgs.
- "Notebook Pages from Matt Espiau", *Espiau Exhibit 1127, Board of Patent Appeals and Interferences (Interference No. 105,393)*, (Apr. 27, 2000),13 pgs.
- "Notebook Pages from Yian Chang", *Espiau Exhibit 1126, Board of Patent Appeals and Interferences (Interference No. 105,393)*, (Aug. 2000),57 pgs.
- "Notes", *Espiau Exhibit 1229, Board of Patent Appeals and Interferences (Interference No. 105,393)*, (May 14, 2002), 2 pgs.
- "Notes from Meeting with Joshi, Turner, Espiau regarding Review of Samples", *Espiau Exhibit 1209, Board of Patent Appeals and Interferences (Interference No. 105,393)*, (Aug. 8, 2000),2 pgs.
- "Notes re: Alumina Puck and Testing of Puck", *Espiau Exhibit 1125, Board of Patent Appeals and Interferences (Interference No. 105,393)*, (Aug. 8, 2000),143 pgs.
- "Notes Regarding Lighting of Lamp", *Espiau Exhibit 1210, Board of Patent Appeals and Interferences (Interference No. 105,393)*, (Aug. 12, 2000),1 pg.
- "Patent Disclosure Summary", *Espiau Exhibit 1225, Board of Patent Appeals and Interferences (Interference No. 105,393)*, (Apr. 22, 2000),4 pgs.
- "Photo", *Guthrie Exhibit 2207, Board of Patent Appeals and Interferences (Interference No. 105,393)*, (No date listed),1 pg.
- "Photo", *Guthrie Exhibit 2208, Board of Patent Appeals and Interferences (Interference No. 105,393)*, (No date listed),1 pg.
- "Photo", *Guthrie Exhibit 2213, Board of Patent Appeals and Interferences (Interference No. 105,393)*, (Aug. 20, 2007),1 pg.
- "Photograph", *Espiau Exhibit 1222, Board of Patent Appeals and Interferences (Interference No. 105,393)*, (prior to Jul. 30, 2007),1 pg.
- "Photograph", *Espiau Exhibit 1221, Board of Patent Appeals and Interferences (Interference No. 105,393)*, (prior to Jul. 30, 2007),1 pg.
- "Schematic", *Espiau Exhibit 1173, Board of Patent Appeals and Interferences (Interference No. 105,393)*, (prior to Jul. 30, 2007),1 pg.
- "Schematic re: Plasma Lamp Concept", *Espiau Exhibit 1150, Board of Patent Appeals and Interferences (Interference No. 105,393)*, (prior to Jul. 30, 2007),1 pg.
- "Schematics re: Retangular Waveguide", *Espiau Exhibit 1166, Board of Patent Appeals and Interferences (Interference No. 105,393)*, (Jun. 6, 2000),2 pgs.
- "Second Declaration of Carl W. Pobanz", *Espiau Exhibit 1054, Board of Patent Appeals and Interferences (Interference No. 105,393)*, (May 20, 2006),3 pgs.
- "Second Declaration of Chandrashekar J. Joshi", *Espiau Exhibit 1160, Board of Patent Appeals and Interferences (Interference No. 105,393)*, (Jul. 29, 2007),15 pgs.
- "Second Declaration of David B. Turner", *Espiau Exhibit 1158, Board of Patent Appeals and Interferences (Interference No. 105,393)*, (Jul. 24, 2007),19 pgs.
- "Sixth Declaration of David M. Pozar", *Espiau Exhibit 1254, Board of Patent Appeals and Interferences (Interference No. 105,393)*, (Aug. 31, 2007),15 pgs.
- "Sound Deposition Services, Inc., *Guthrie vs. Espiau: Exhibit 1211*", *Guthrie Exhibit 2226, Board of Patent Appeals and Interferences (Interference No. 105,393)*, (Aug. 23, 2007),14 pgs.
- "The Center for High Frequency Electronics", *Guthrie Exhibit 2228, Board of Patent Appeals and Interferences (Interferences No. 105,393)*, <http://www.chfe.ee.ucla.edu/8/26/2007>,(2007),1 pg.
- "Trip Report—Chan, Don, Matt", *Espiau Exhibit 1220, Board of Patent Appeals and Interferences (Interference No. 105,393)*, (Jul. 30, 2007),1 pg.
- "Turner Engineering Purchase Order T62801 / Trade References / T. Weaver's Quote", *Espiau Exhibit 1175, Board of Patent Appeals and Interferences (Interference No. 105,393)*, (prior to Jul. 30, 2007),3 pgs.
- "United States Securities and Exchange Commission Form D", *Guthrie Exhibit 2202, Board of Patent Appeals and Interferences (Interference No. 105,393)*, (May 16, 2007),6 pgs.
- Brougher, S. , "E-Mail to D. Turner re: Lamp Project Schedule", *Espiau Exhibit 1146, Board of Patent Appeals and Interferences (Interference No. 105,393)*, (Apr. 17, 2000),1 pg.
- Catlett, W. , "E-Mail to D. Turner re: DRI Luxim Waveguide Project", *Espiau Exhibit 1186, Board of Patent Appeals and Interferences (Interference No. 105,393)*, (Jul. 22, 2000),2 pgs.
- Chang, Y. , "E-Mail to D. Turner enclosing June Invoice", *Espiau Exhibit 1177, Board of Patent Appeals and Interferences (Interference No. 105,393)*, (Jul. 5, 2000),2 pgs.
- Chang, Y. , "E-Mail to D. Turner re: Time and Expenses for July", *Espiau Exhibit 1204, Board of Patent Appeals and Interferences (Interference No. 105,393)*, (Aug. 1, 2000),14 pgs.
- Chang, Y. , "E-Mail to Espiau re: Integrated Lamp Waveguide Concept", *Espiau Exhibit 1192, Board of Patent Appeals and Interferences (Interference No. 105,393)*, (Jul. 24, 2000),1 pg.
- Chang, Y. , "E-Mail to Espiau re: Lamp Assy. Figures", *Espiau Exhibit 1201, Board of Patent Appeals and Interferences (Interference No. 105,393)*, (Jul. 30, 2000),3 pgs.
- Chang, Y. , "E-Mail to J. Chandrashekar, et al. re: Integrated Lamp Waveguide Concept", *Espiau Exhibit 1200, Board of Patent Appeals and Interferences (Interference No. 105,393)*, (Jul. 30, 2000),1 pg.

- Chang, Y., "E-Mail to M. Espiau re: Drawings", *Espiau Exhibit 1181, Board of Patent Appeals and Interferences*(Interference No. 105,393), (Jul. 16, 2000),1 pg.
- Chang, Y., "E-Mail to M. Espiau re: Integrated Lamp Waveguide Concept w/Lastest Revisions With Drawings", *Espiau Exhibit 1198, Board of Patent Appeals and Interferences*(Interference No. 105,393), (Jul. 27, 2000),1 pg.
- Chang, Y., "E-Mail to M. Espiau re: New Figures / Patent Drawings", *Espiau Exhibit 1194, Board of Patent Appeals and Interferences*(Interference No. 105,393), (Jul. 25, 2000),1 pg.
- Chang, Y., "E-Mail to M. Espiau re: Figures / Patent Drawings", *Espiau Exhibit 1193, Board of Patent Appeals and Interferences*(Interference No. 105,393), (Jul. 25, 2000),1 pg.
- Chang, Y., "E-Mail to M. Espiau, et al. re: Integrated Lamp Waveguide Concept w/ Latest Revisions With Drawings", *Espiau Exhibit 1196, Board of Patent Appeals and Interferences*(Interference No. 105,393), (Jul. 26, 2000),1 pg.
- Chang, Y., "Notes re: The Integrated Dielectric Waveguide Plasma Lamp Concept", *Espiau Exhibit 1152, Board of Patent Appeals and Interferences*(Interference No. 105,393), (2000),32 pgs.
- Espiau, M., "E-Mail to D. Turner re: Three Phase Service", *Espiau Exhibit 1176, Board of Patent Appeals and Interferences*(Interference No. 105,393), (Jun. 29, 2000),2 pgs.
- Espiau, M., "E-Mail to Y. Chang re: Integrated Lamp Waveguide Concept", *Espiau Exhibit 1199, Board of Patent Appeals and Interferences*(Interference No. 105,393), (Jul. 28, 2000),1 pg.
- Espiau, M., "E-Mail to Y. Chang, et al. re: Integrated Lamp Waveguide Concept", *Espiau Exhibit 1195, Board of Patent Appeals and Interferences*(Interference No. 105,393), (Jul. 26, 2000),1 pg.
- Espiau, M., "E-Mail to Y. Chang, et al. re: Integrated Lamp Waveguide Concept", *Espiau Exhibit 1191, Board of Patent Appeals and Interferences*(Interference No. 105,393), (Jul. 24, 2000),1 pg.
- Espiau, M., "E-Mail to Y. Chang, et al. re: Integrated Lamp Waveguide Concept", *Espiau Exhibit 1182, Board of Patent Appeals and Interferences*(Interference No. 105,393), (Jul. 16, 2000),1 pg.
- Espiau, M., "E-Mail to Y. Chang, et al. re: Integrated Lamp Waveguide Concept", *Espiau Exhibit 1179, Board of Patent Appeals and Interferences*(Interference No. 105,393), (Jul. 13, 2000),1 pg.
- Guthrie, C., "E-Mail to D. Turner re: Amplifier for Development", *Espiau Exhibit 1144, Board of Patent Appeals and Interferences*(Interference No. 105,393), (May 6, 2000),1 pg.
- Guthrie, C., "E-Mail to D. Turner re: Dielectric Constants from Trans Tech", *Espiau Exhibit 1154, Board of Patent Appeals and Interferences*(Interference No. 105,393), (May 6, 2000),1 pg.
- Guthrie, C., "E-Mail to D. Turner re: Visit / Potential Meeting", *Espiau Exhibit 1156, Board of Patent Appeals and Interferences*(Interference No. 105,393), (May 6, 2000),1 pg.
- Ishii, T. K., "Microwave Engineering (Second Edition)", *Guthrie Exhibit 2204, Board of Patent Appeals and Interferences*(Interference No. 105,393), (1989),3 pgs.
- Ishii, T. K., "Microwave Engineering (Second Edition)", *Espiau Exhibit 1232, Board of Patent Appeals and Interferences*(Interference No. 105,393), (1989),3 pgs.
- Joshi, C., "E-Mail to M. Espiau re: ILWC Patent Paper", *Espiau Exhibit 1178, Board of Patent Appeals and Interferences*(Interference No. 105,393), (Jul. 13, 2000),2 pgs.
- Mullen, D., "E-Mail to D. Turner re: DRI Meeting", *Espiau Exhibit 1139, Board of Patent Appeals and Interferences*(Interference No. 105,393), (Apr. 20, 2000),1 pg.
- Mullen, D., "E-Mail to Joshi, et al. re: First Pass Thermal Model of Lamp Housing (attaching plasma lamp geometry)", *Espiau Exhibit 1151, Board of Patent Appeals and Interferences*(Interference No. 105,393), (May 1, 2000),2 pgs.
- Pozar, David M., "Microwave Engineering, Third Edition", *Espiau Exhibit 1250, Board of Patent Appeals and Interferences*(Interference No. 105,393), From Chapter 2,(2005),10 pgs.
- Pozar, David M., "Microwave Engineering, Third Edition", *Espiau Exhibit 1251, Board of Patent Appeals and Interferences*(Interference No. 105,393), Chapter 5—Impedance Matching and Tuning,(2005),46 pgs.
- Pozar, David M., "Microwave Engineering, Third Edition", *Espiau Exhibit 1252, Board of Patent Appeals and Interferences*(Interference No. 105,393), Chapter 6, Microwave Resonators,(2005),14 pgs.
- Rizzi, Peter A., "Microwave Engineering Passive Circuits", *Espiau Exhibit 1231, Board of Patent Appeals and Interferences*(Interference No. 105,393), (1988),4 pgs.
- Turner, D., "E-Mail to D. Mullen confirming DRI Meeting", *Espiau Exhibit 1136, Board of Patent Appeals and Interferences*(Interference No. 105,393), (Apr. 18, 2000),1 pg.
- Turner, D., "E-Mail to C. Joshi re: Property Info", *Espiau Exhibit 1143, Board of Patent Appeals and Interferences*(Interference No. 105,393), (Apr. 25, 2000),2 pgs.
- Turner, D., "E-Mail to C. Joshi, et al. re: DRI—Resume, etc.", *Espiau Exhibit 1142, Board of Patent Appeals and Interferences*(Interference No. 105,393), (Apr. 24, 2000),3 pgs.
- Turner, D., "E-Mail to C. Joshi, et al. re: Material Specification", *Espiau Exhibit 1167, Board of Patent Appeals and Interferences*(Interference No. 105,393), (Jun. 9, 2000),3 pgs.
- Turner, D., "E-Mail to C. Joshi, et al. re: DRI / Luxim Agreements", *Espiau Exhibit 1170, Board of Patent Appeals and Interferences*(Interference No. 105,393), (Jun. 20, 2000),14 pgs.
- Turner, D., "E-Mail to C. Joshi, et al. re: First Dielectric Donut Tests", *Espiau Exhibit 1165, Board of Patent Appeals and Interferences*(Interference No. 105,393), (Jun. 8, 2000),1 pg.
- Turner, D., "E-Mail to D. Mullen re: Dielectric Constants from Trans Tech", *Espiau Exhibit 1157, Board of Patent Appeals and Interferences*(Interference No. 105,393), (May 6, 2000),1 pg.
- Turner, D., "E-Mail to S. Brougner re: DRI Plasma Lamp Schedule Update", *Espiau Exhibit 1147, Board of Patent Appeals and Interferences*(Interference No. 105,393), (Apr. 28, 2000),1 pg.
- Turner, D., "E-Mail to S. Brougner re: Lamp Schedule", *Espiau Exhibit 1184, Board of Patent Appeals and Interferences*(Interference No. 105,393), (Jul. 19, 2000),5 pgs.
- Turner, D., "E-Mail to S. Brougner, et al. re: DRI Luxim Waveguide Schedule", *Espiau Exhibit 1206, Board of Patent Appeals and Interferences*(Interference No. 105,393), (Aug. 2, 2000),5 pgs.
- Turner, D., "E-Mail to W. Catlett re: DRI—Luxim Business Structure", *Espiau Exhibit 1214, Board of Patent Appeals and Interferences*(Interference No. 105,393), (Aug. 29, 2000),2 pgs.
- Turner, D., "E-Mail to W. Catlett re: DRI Luxim License Business Structure", *Espiau Exhibit 1217, Board of Patent Appeals and Interferences*(Interference No. 105,393), (Sep. 13, 2000),2 pgs.
- Turner, D., "E-Mail to W. Catlett re: DRI Plasma Lamp Business Meeting", *Espiau Exhibit 1149, Board of Patent Appeals and Interferences*(Interference No. 105,393), (Apr. 28, 2000),6 pgs.
- Turner, D., "E-Mail to W. Catlett re: DRI-Tenco Product Development—Next Steps", *Espiau Exhibit 1161, Board of Patent Appeals and Interferences*(Interference No. 105,393), (May 12, 2000),7 pgs.
- Turner, D., "E-Mail to W. Catlett re: Plasma Lamp Project", *Espiau Exhibit 1163, Board of Patent Appeals and Interferences*(Interference No. 105,393), (May 22, 2000),1 pg.
- Turner, D., "E-Mail to W. Catlett re: DRI—Luxim License Business Structure", *Espiau Exhibit 1215, Board of Patent Appeals and Interferences*(Interference No. 105,393), (Sep. 11, 2000),2 pgs.
- Turner, D., "E-Mail to W. Catlett re: DRI—Luxim License Framework", *Espiau Exhibit 1216, Board of Patent Appeals and Interferences*(Interference No. 105,393), (Sep. 11, 2000),2 pgs.
- Turner, D., "Memorandum to G. Prior re: Tenco Proposal to Develop a Plasma Lamp Excitor and Waveguide", *Espiau Exhibit 1134, Board of Patent Appeals and Interferences*(Interference No. 105,393), (Apr. 14, 2000),7 pgs.
- Turner, D., "Memorandum to G. Prior re: Tenco Engineering Service for Digital Reflection", *Espiau Exhibit 1130, Board of Patent Appeals and Interferences*(Interference No. 105,393), (Mar. 31, 2000),10 pgs.
- Turner, D., "Memorandum to J. Legge re: Production Engineering for DRI Components", *Espiau Exhibit 1133, Board of Patent Appeals and Interferences*(Interference No. 105,393), (Mar. 31, 2000),5 pgs.
- Turner, D., "Memorandum to T. Alton re: Issuing Purchase Order to Kyocera", *Espiau Exhibit 1172, Board of Patent Appeals and Interferences*(Interference No. 105,393), (Jun. 22, 2000),5 pgs.
- Turner, D., "Memorandum to W. Catlett re: Business Structures for Joint DRI—Luxim Development", *Espiau Exhibit 1212, Board of Patent Appeals and Interferences*(Interference No. 105,393), (Aug. 10, 2000),3 pgs.

- Turner, D. , "Memorandum to W. Catlett re: Non-Disclosure Agreement and Interim Product Development Agreement", *Espiau Exhibit 1174, Board of Patent Appeals and Interferences(Interference No. 105,393)*, (Jun. 23, 2000),12 pgs.
- Turner, D. , "Memorandum to W. Catlett re: Termination of Development Activities relating to Projection Light Engine Waveguide Development", *Espiau Exhibit 1218, Board of Patent Appeals and Interferences(Interference No. 105,393)*, (Nov. 3, 2000),1 pg.
- Turner, D. , "Notes", *Espiau Exhibit 1131, Board of Patent Appeals and Interferences(Interference No. 105,393)*, (Apr. 11, 2000),3 pgs.
- Turner, "Notes", *Espiau Exhibit 1128, Board of Patent Appeals and Interferences(Interference No. 105,393)*, (Mar. 6, 2000),1 pg.
- Turner, "Notes", *Espiau Exhibit 1129, Board of Patent Appeals and Interferences(Interference No. 105,393)*, (Mar. 8, 2000),1 pg.
- Turner, "Notes", *Espiau Exhibit 1135, Board of Patent Appeals and Interferences(Interference No. 105,393)*, (Apr. 17, 2000),3 pgs.
- Turner, "Notes", *Espiau Exhibit 1141, Board of Patent Appeals and Interferences(Interference No. 105,393)*, (Apr. 24, 2000),2 pgs.
- Turner, "Notes", *Espiau Exhibit 1148, Board of Patent Appeals and Interferences(Interference No. 105,393)*, (May 1, 2000),1 pg.
- Turner, "Notes from the Jun. 21, 2000 Meeting", *Espiau Exhibit 1171, Board of Patent Appeals and Interferences(Interference No. 105,393)*, (Jun. 21, 2000),6 pgs.
- Turner, "Notes re: DRI Plasma Light from the the May 9, 2000 Meeting", *Espiau Exhibit 1159, Board of Patent Appeals and Interferences(Interference No. 105,393)*, (May 9, 2000),3 pgs.
- Morgan, R.C.; Espiau Motion 7 for Priority dated Jul. 30,2007 (94pp), submitted to the USPTO in Patent Interference No. 105,393, Cited in attached IDS.
- Pisano, N. A.; Guthrie Opposition 7 dated Aug. 31, 2007, (122pp), submitted to the USPTO in Patent Interference No. 105,393, Cited in attached IDS.
- Morgan, R.C.; Espiau Opposition 7 (to Guthrie Priority Motion 7) dated Aug. 31, 2007, 2007 (121pp), submitted to the USPTO in Patent Interference No. 105,393, Cited in attached IDS.
- Notebook pages from Chan Joshi, Cited in attached IDS.
- Notebook pages from Yian Chang, Cited in attached IDS.
- Notebook pages from Matt Espiau, Cited in attached IDS.
- Turner notes from Mar. 6, 2000, Cited in attached IDS.
- Turner notes from Mar. 8, 2000, Cited in attached IDS.
- Turner Mar. 31, 2000 e-mail to Greg Prior, with attached Turner Engineering Company Proposal to Provide Production Engineering, Previously cited in IDS dated Mar. 15, 2006 (included in Schedule 3 of Counterstatement).
- Turner notes from Apr. 11, 2000, Previously cited in IDS dated Mar. 15, 2006 (included in Schedule 6 of Counterstatement).
- Schematics by DRI, Previously cited in IDS dated Mar. 15, 2006 (included in Schedule 5 of Counterstatement).
- Non-disclosure agreement, Mar. 31, 2000, Previously cited in IDS dated Mar. 15, 2006 (included in Schedule 3 of Counterstatement).
- Proposal to Development a Plasma Lamp Exciter and Waveguide, Previously cited in IDS dated Mar. 15, 2006 (included in Schedule 7 of Counterstatement).
- Turner notes from Apr. 17, 2000, Cited in attached IDS.
- Turner Apr. 18, 2000 e-mail to Mullen, Cited in attached IDS.
- Turner notes from Apr. 20, 2000, Cited in attached IDS.
- Presentation of Dielectric Resonator Concept for Plasma Lamps, Previously cited in IDS dated Mar. 15, 2006 (included in Schedule 8 of Counterstatement).
- Mullen Apr. 20, 2000 e-mail to Turner, Cited in attached IDS.
- Reserved.
- Turner notes from Apr. 24, 2000, Cited in attached IDS.
- Turner Apr. 24, 2000 e-mail to Espiau and Joshi, with attached resume of Turner, Cited in attached IDS.
- Turner Apr. 25, 2000 e-mail to Joshi, Cited in attached IDS.
- Guthrie May 6, 2000 forward of amplifier e-mail to Turner, Cited in attached IDS.
- Plasma Lamp Business Model, Cited in attached IDS.
- Brougher Apr. 27, 2000 e-mail to Turner, Cited in attached IDS.
- Turner Apr. 28, 2000 e-mail to Brougher, Cited in attached IDS.
- Turner notes from May 1, 2000, Cited in attached IDS.
- Turner, Apr. 28, 2000 e-mail to Catlett. Cited in attached IDS.
- Plasma Lamp Concept drawing, Cited in attached IDS.
- Mullen May 1, 2000 e-mail to Espiau, Joshi and Turner, with attached diagram, Cited in attached IDS.
- Joshi Technical Note, Cited in attached IDS.
- Turner notes from May 3, 2000, Cited in attached IDS.
- Guthrie May 6, 2000 e-mail to Turner, Cited in attached IDS.
- Graph with handwritten notes, Cited in attached IDS.
- Guthrie May 6, 2000 e-mail to Turner regarding visit, Cited in attached IDS.
- Turner May 6, 2000 e-mail to Mullen, Cited in attached IDS.
- Espiau Second Declaration of David Turner, Cited in attached IDS.
- Turner notes from May 9, 2000, Cited in attached IDS.
- Espiau Second Declaration of Chandrashekhar J. Joshi, Cited in attached IDS.
- Turner May 12, 2000 e-mail to Catlett, with attached development plan and budget, Cited in attached IDS.
- Quote from Channel Microwave Corporation, Cited in attached IDS.
- Turner May 22, 2000 e-mail to Catlett, Cited in attached IDS.
- Turner Jun. 8, 2000 e-mail to Espiau, Joshi and Chang, Cited in attached IDS.
- Drawings of Puck, Cited in attached IDS.
- Turner Jun. 9, 2000 e-mail to Espiau, Joshi and Chang, with attached e-mail from Guthrie and attached Material Specification, Cited in attached IDS.
- Espiau Declaration of Frederick Matthew Espiau, Cited in attached IDS.
- Turner notes from Jun. 12, 2000, Cited in attached IDS.
- Turner Jun. 20, 2000 e-mail to Espiau, Joshi and Chang, with Plasma Lamp Exciter and Waveguide Product Development Agreement. Cited in attached IDS.
- Turner notes from Jun. 21, 2000, Cited in attached IDS.
- Jun. 22, 2000 request for Purchase Order to Kyocera, Cited in attached IDS.
- Jun. 23, 2000 drawing from Chang, Cited in attached IDS.
- Jun. 23, 2000 NDA and Interim Product Development Agreement, Cited in attached IDS.
- Jun. 28, 2000 Purchase Order to PM Industries, Cited in attached IDS.
- Espiau Jun. 29, 2000 e-mail to Turner, Cited in attached IDS.
- Chang Jul. 5, 2000 e-mail to Turner, with attached monthly invoice, Cited in attached IDS.
- Joshi Jul. 13, 2000 e-mail to Espiau, forwarding Jul. 11, 200 N. Simon e-mail, Cited in attached IDS.
- Espiau Jul. 13, 2000 e-mail to Joshi and Chang, Cited in attached IDS.
- Jul. 14, 2000 Drawings, Cited in attached IDS.
- Chang Jul. 16, 2000 e-mail to Espiau, Cited in attached IDS.
- Espiau Jul. 16, 2000 e-mail to Joshi, Chang and Turner, with attached patent write-up, Cited in attached IDS.
- Espiau Fifth Declaration of David M. Pozar, Cited in attached IDS.
- Turner Jul. 19, 2000 e-mail to Brougher. Cited in attached IDS.
- Catlett Jul. 22, 2000 e-mail to Turner. Cited in attached IDS.
- Turner Jul. 28, 2000 notes of call with Espiau and Joshi, Cited in attached IDS.
- Turner Jul. 28, 2000 notes of call with Greg Prior, Cited in attached IDS.
- Espiau Jul. 24, 2000 e-mail to Joshi, Chang and Turner, Cited in attached IDS.
- Chang Jul. 24, 2000 e-mail to Espiau, Joshi and Turner, Cited in attached IDS.
- Chang Jul. 25, 2000 e-mail to Espiau, Cited in attached IDS.
- Espiau Jul. 26, 2000 e-mail to Joshi, Chang and Turner, Cited in attached IDS.
- Chang Jul. 26, 2000 e-mail to Espiau, Joshi and Turner, Cited in attached IDS.
- Aug. 2, 2000 quotation from CoorsTek, Cited in attached IDS.
- Chang Jul. 27, 2000 e-mail to Espiau, Joshi and Turner, Cited in attached IDS.
- Espiau Jul. 25, 2000 e-mail to Chang, Cited in attached IDS.
- Chang Jul. 30, 2000 e-mail to Espiau, Joshi and Turner, Cited in attached IDS.
- Chang Jul. 30, 2000 e-mail to Espiau, with attached lamp assembly figures, Cited in attached IDS.

- Chang Aug. 1, 2000 e-mail to Turner, with attached monthly invoice, Cited in attached IDS.
- Turner Aug. 2, 2000 e-mail to Brougher, Wilson, Espiau, Joshi, Cited in attached IDS.
- Turner notes from Aug. 3, 2000, Cited in attached IDS.
- Presentation, A Ceramic Wave-guide Lamp, From a Concept to a Reality, Cited in attached IDS.
- Turner notes from Aug. 8, 2000, Cited in attached IDS.
- Turner notes from Aug. 12, 2000, Cited in attached IDS.
- Video Of Reduction To Practice, Video, not cited—see Exhibit 1211 for transcript.
- Turner Aug. 10, 2000 to Catlett re: Business Structure for Join DRI—Luxim Development. Cited in attached IDS.
- Turner notes from Aug. 17, 2000, Cited in attached IDS.
- Turner Aug. 29, 2000 e-mail to Catlett, Bailard, Maceiko, Espiau, Joshi and Chang. Cited in attached IDS.
- Turner Sep. 11, 2000 e-mail to Catlett, Espiau, Joshi and Chang, Cited in attached IDS.
- Turner Sep. 11, 2000 e-mail to Catlett, Bailard, Maceiko, Espiau, Joshi and Chang, Cited in attached IDS.
- Turner Sep. 13, 2000 e-mail to Catlett, Bailard, Maceiko, Espiau, Joshi and Chang, Cited in attached IDS.
- Nov. 3, 2000 Termination of Development Activities, Previously cited in IDS dated Mar. 15, 2006 (included in Schedule 12 of Counterstatement).
- Chang Jun. 6, 2000 Fax to Turner, with attached monthly invoice, Cited in attached IDS.
- Trip Report, Cited in attached IDS.
- Picture of Grinding Media Sample, orientation 1, Cited in attached IDS.
- Picture of Grinding Media Sample, orientation 2, Cited in attached IDS.
- Espiau Notice of Deposition For Cross-examination and Intent to Video Record the Deposition of Dennis Nunes, Notice of deposition—not cited.
- Email from Sheena Brougher to Wayne Catlett, dated Jul. 21, 2000, Cited in attached IDS.
- Patent disclosure summary, Cited in attached IDS.
- Email from Floyd Pothoven to Matt Espiau, Apr. 23, 2002, Cited in attached IDS.
- Email from Floyd Pothoven to Matt Espiau, Apr. 26, 2002, Cited in attached IDS.
- Email from Floyd Pothoven, May 14, 2002, Cited in attached IDS.
- Turner handwritten notes of May 14, 2002 meeting, Cited in attached IDS.
- Excerpted pages from Microwave Engineering Passive Circuits, by Peter A. Rizzi, Cited in attached IDS.
- Excerpted pages from Microwave Engineering, by T. Koryu Ishii, second edition, Cited in attached IDS.
- Espiau Third Declaration of David B. Turner, Document authentication—not cited.
- Transcript of the Aug. 13, 2007 Deposition of Chandrashekhar J. Joshi, Cited in attached IDS.
- Errata to the Transcript of the Aug. 13, 2007 Deposition of Chandrashekhar J. Joshi, Cited in attached IDS.
- Transcript of the Aug. 19, 2007 Deposition of Carl W. Pobanz, Cited in attached IDS.
- Transcript of the Aug. 20, 2007 Deposition of David B. Turner, Cited in attached IDS.
- Errata to the Transcript of the Aug. 20, 2007 Deposition of David B. Turner, Cited in attached IDS.
- Transcript of the Aug. 17, 2007 Deposition of Frederick “Matt” Espiau, Cited in attached IDS.
- Errata to the Transcript of the Aug. 17, 2007 Deposition of Frederick “Matt” Espiau, Cited in attached IDS.
- Ledger Book, Cited in attached IDS.
- Espiau Declaration of Ellen Thotus, Cited in attached IDS.
- “Debtor’s Schedules, Executory Contracts, Statement of Affairs, Mailing Matrix List and Mailing Disk,” In re Digital Reflections, Inc., Case No. 02-11132 RR (C.D. Ca. Bankr. May 28, 2002), Cited in attached IDS.
- Espiau Declaration of Penny Ortega, Document authentication—not cited.
- Guthrie Applicants Deposition Video, Video, not cited—see Exhibits 2215, 2216, 2222 and 2223 for transcripts.
- Video of Deposition of Dr. Chanrashekhar J. Joshi, Video, not cited—see Exhibit 1234 for transcript.
- Video of Depositions of Mr. Matt Espiau and Dr. Carl Pobanz, Video, not cited—see Exhibits 1236 and 1239 for transcripts.
- Video of Deposition of Mr. David B. Turner, Video, not cited—see Exhibit 1237 for transcript.
- Guthrie Witnesses Deposition Video, Video, not cited—see Video, not cited—see Exhibits 2214, 2217, 2218, 2219, 2220, 2221, 2224 for transcripts.
- Pozar Section 2.3 from Microwave Engineering, 3rd Ed.: The Terminated Lossless Transmission Line, Cited in attached IDS.
- Pozar Chapter 5 from Microwave Engineering, 3rd Ed.: Impedance Matching and Tuning, Cited in attached IDS.
- Pozar Section 6.1 from Microwave Engineering, 3rd Ed.: Series and Parallel Resonant Circuits, Cited in attached IDS.
- Espiau Sixth Declaration of David M. Pozar, Cited in attached IDS.
- Sketch made by Anthony Cooper, Cited in attached IDS.
- Luxim presentation from 2007, Cited in attached IDS.
- Luxim SEC filing, Cited in attached IDS.
- Version of Exhibit 1232 containing markings made by Matt Espiau, Cited in attached IDS.
- Drawing made by Matt Espiau, Cited in attached IDS.
- Webpage printout with Luxim information and pictures, Cited in attached IDS.
- Still image captured from Exhibit 1211, Cited in attached IDS.
- Transcript of Aug. 6, 2007 deposition of Dennis R. Nunes, Cited in attached IDS.
- Transcript of Aug. 6, 2007 deposition of Donald M. Wilson, Cited in attached IDS.
- Transcript of Aug. 7, 2007 deposition of Gregory Prior, Cited in attached IDS.
- Transcript of Aug. 8, 2007 deposition of Vivek Gandhi, Cited in attached IDS.
- Transcript of Aug. 9, 2007 deposition of Anthony Cooper, Cited in attached IDS.
- Transcript of Aug. 9, 2007 deposition of Floyd Pothoven, Cited in attached IDS.
- Transcript of Aug. 10, 2007 deposition of Dr. Madhu S. Gupta, Ph.D., Cited in attached IDS.
- Transcript of Aug. 12, 2007 deposition of Joseph Bennett, Cited in attached IDS.
- Transcript of Aug. 14, 2007 deposition of Charles Guthrie, Cited in attached IDS.
- Transcript of Aug. 15, 2007 deposition of David Smoler, Cited in attached IDS.
- Transcript of Aug. 16, 2007 deposition of Shelby Katz, Cited in attached IDS.
- Transcript of Mar. 3, 2007 hearing, Cited in attached IDS.
- Transcript of Exhibit 1211, Cited in attached IDS.
- Declaration of Matt Espiau dated Feb. 11, 2005, Cited in attached IDS.
- Webpage printout from <http://www.chfe.ee.ucla.edu/>, Cited in attached IDS.
- Complaint in the matter of *HRL Laboratories v. Inphi Corporation*, Cited in attached IDS.
- Transcript of Feb. 9, 2006 hearing, Cited in attached IDS.
- Transcript of May 21, 2007 hearing, Cited in attached IDS.
- May 23, 2007 e-mail from Bob Morgan to Nicola Pisano (without attachment), Cited in attached IDS.
- Aug. 21, 2007 e-mail from David Bergan to Nicola Pisano (without attachment), Cited in attached IDS.
- Declaration of Regis C. Worley, Jr., Document authentication—not cited.
- Errata to the Aug. 9, 2007 Deposition Transcript of Floyd Pothoven, Cited in attached IDS.
- Errata to the Aug. 6, 2007 Deposition Transcript of Donald M. Wilson, Cited in attached IDS.
- Errata to the Aug. 15, 2007 Deposition Transcript of David Smoler, Cited in attached IDS.
- Errata to the Aug. 14, 2007 Deposition Transcript of Charles Guthrie, Cited in attached IDS.

- Errata to the Aug. 9, 2007 Deposition Transcript of Anthony Cooper, Cited in attached IDS.
- “Second Declaration of James E. King, Esq.”, *Guthrie Exhibit 2256 Board of Patent Appeals and Interferences (Interference No. 105,393)*, (Oct. 19, 2007), 5 pgs.
- “Guthrie Fourth Declaration of Charles Guthrie”, *Guthrie Exhibit 2255 Board of Patent Appeals and Interferences (Interference No. 105,393)*, (Oct. 19, 2007), 4 pg.
- “E-mail from Morgan to Pisano”, *Exhibit 2260, Guthrie v. Espiau, Patent Interference 105,393*, (Oct. 8, 2007), 1 pg.
- “Espiau Opposition 8 (to Guthrie’s Miscellaneous Motion 8 to exclude evidence)”, *Guthrie v. Espiau, Patent Interference 105,393*, (Oct. 24, 2007), 71 pgs.
- “Guthrie Opposition 8 (opposing Espiau miscellaneous motion 8)”, *Guthrie v. Espiau, Patent Interference 105,393*, (Oct. 24, 2007), 63 pgs.
- “Guthrie’s objections to Espiau’s exhibits served with its motion 8”, *Exhibit 2254, Guthrie v. Espiau, Patent Interference 105,393*, (Oct. 18, 2007), 6 pgs.
- “Katie Marie Nunes Death Certificate”, *Exhibit 2258, Guthrie v. Espiau, Patent Interference 105,393*, (Jul. 10, 2000), 1 pg.
- “Kearney to Pisano Letter”, *Re: Guthrie v. Espiau*, (Oct. 19, 2007), 12 pgs.
- “Modesto Bee Obituaries including Katie Marie Nunes”, *Exhibit 2257, Guthrie v. Espiau, Patent Interference 105,393*, (Jul. 10, 2000), 3 pgs.
- “Nilssen et al v. Osram Sylvania et al”, *Exhibit 2259, Guthrie v. Espiau, Patent Interference 105,393*, United States Court of Appeals for the Federal Circuit, (Oct. 10, 2007), 20 pgs.
U.S. Appl. No. 60/337,057, filed Nov. 6, 2001.
U.S. Appl. No. 09/818,092, filed Aug. 3, 2005.
- “Combination Diagram”, *Espiau Exhibit 1270, Board of Patent Appeals and Interferences (Interference No. 105,393)*, (Jul. 8, 2000), 1 pg.
- “Decision—Interlocutory Motions—Bd.R. 125(b)”, *Guthrie v. Espiau, Board of Patent Appeals and Interferences (Interference No. 105,393)*, (Sep. 20, 2007), 3 pgs.
- “Decision—Interlocutory Motions—Bd.R. 125(b)”, *Guthrie v. Espiau, Board of Patent Appeals and Interferences (Interference No. 105,393)*, (Oct. 16, 2007), 3 pgs.
- “Deposition of Benjamin Glenn”, *Espiau Exhibit 1260, Guthrie v. Espiau, Board of Patent Appeals and Interferences (Interference No. 105,393)*, (Sep. 18, 2007), 66 pgs.
- “Deposition of Ellen Thotus”, *Espiau Exhibit 1259, Guthrie v. Espiau, Board of Patent Appeals and Interferences (Interference No. 105,393)*, (Sep. 17, 2007), 42 pgs.
- “Deposition of Penny Ortega”, *Espiau Exhibit 1261, Guthrie v. Espiau, Board of Patent Appeals and Interferences (Interference No. 105,393)*, (Sep. 18, 2007), 24 pgs.
- “Errata to the Transcript of the Sep. 17, 2007 Deposition of Ellen Thotus”, *Espiau Exhibit 1264, Guthrie v. Espiau, Board of Patent Appeals and Interferences (Interference No. 105,393)*, (Sep. 26, 2007), 3 pgs.
- “Errata to the Transcript of the Sep. 18, 2007 Deposition of Benjamin Glenn”, *Espiau Exhibit 1263, Guthrie v. Espiau, Board of Patent Appeals and Interferences (Interference No. 105,393)*, (Sep. 27, 2007), 3 pgs.
- “Espiau List of Exhibits”, *Guthrie v. Espiau, Board of Patent Appeals and Interferences (Interference No. 105,393)*, (Oct. 11, 2007), 15 pgs.
- “Espiau Miscellaneous Motion 8 (to Exclude Exhibits 2240 and 2242, and to Strike Exhibit 2244 and Corresponding Portions of Guthrie Reply 7 and Guthrie Substitute Reply 7)”, *Guthrie v. Espiau, Board of Patent Appeals and Interferences (Interference No. 105,393)*, (Oct. 11, 2007), 32 pgs.
- “Espiau Reply 7”, *Guthrie v. Espiau, Board of Patent Appeals and Interferences (Interference No. 105,393)*, (Sep. 28, 2007), 129 pgs.
- “Espiau Second Declaration of F. Matthew Espiau”, *Espiau Exhibit 1257, Board of Patent Appeals and Interferences (Interference No. 105,393)*, (Sep. 17, 2007), 5 pgs.
- “Espiau Second Declaration of Matthew Argenti”, *Espiau Exhibit 1271, Board of Patent Appeals and Interferences (Interference No. 105,393)*, (Oct. 10, 2007), 5 pgs.
- “Espiau Third Declaration of Brian P. Turner”, *Espiau Exhibit 1262, Board of Patent Appeals and Interferences (Interference No. 105,393)*, (Sep. 25, 2007), 4 pgs.
- “Espiau’s Objections to Guthrie’s Exhibits Served with its Reply 7”, *Espiau Exhibit 1273, Guthrie v. Espiau, Board of Patent Appeals and Interferences (Interference No. 105,393)*, (Oct. 5, 2007), 12 pgs.
- “Faxing 2 page Application to Lease 646 University Ave.”, *Espiau Exhibit 1255, Board of Patent Appeals and Interferences (Interference No. 105,393)*, To Vito Modugno From George Thotus, (Jul. 21, 2000), 1 pg.
- “Guthrie Declaration of James E. King, Esq.”, *Guthrie Exhibit 2244, Board of Patent Appeals and Interferences (Interference No. 105,393)*, (Sep. 27, 2007), 13 pgs.
- “Guthrie Declaration of Ray Paquette”, *Guthrie Exhibit 2241, Board of Patent Appeals and Interferences (Interference No. 105,393)*, (Sep. 30, 2007), 22 pgs.
- “Guthrie Motion 8 (To Exclude Evidence)”, *Guthrie v. Espiau, Board of Patent Appeals and Interferences (Interference No. 105,393)*, (Oct. 10, 2007), 49 pgs.
- “Guthrie Reply 7”, *Guthrie v. Espiau, Board of Patent Appeals and Interferences (Interference No. 105,393)*, (Sep. 28, 2007), 176 pgs.
- “Guthrie Second Declaration of Joe Bennett”, *Guthrie Exhibit 2240, Board of Patent Appeals and Interferences (Interference No. 105,393)*, (Sep. 24, 2007), 5 pgs.
- “Guthrie Sixth Declaration of Madhu S. Gupta, PhD”, *Guthrie Exhibit 2243, Board of Patent Appeals and Interferences (Interference No. 105,393)*, (Sep. 27, 2007), 24 pgs.
- “Guthrie Third Declaration of Charles Guthrie”, *Guthrie Exhibit 2242, Board of Patent Appeals and Interferences (Interference No. 105,393)*, (Sep. 26, 2007), 8 pgs.
- “Guthrie’s Objections to Espiau’s Evidence”, *Guthrie Exhibit 2250, Board of Patent Appeals and Interferences (Interference No. 105,393)*, (Aug. 14, 2007), 3 pgs.
- “Guthrie’s Objections to Espiau’s Exhibits 1255 and 1256”, *Guthrie Exhibit 2252, Board of Patent Appeals and Interferences (Interference No. 105,393)*, (Sep. 24, 2007), 2 pgs.
- “Guthrie’s objections to Espiau’s exhibits served with its opposition 7”, *Guthrie Exhibit 2251, Board of Patent Appeals and Interferences (Interference No. 105,393)*, (Sep. 10, 2007), 10 pgs.
- “Guthrie’s Objections to Espiau’s Exhibits Served with its Reply 7”, *Guthrie Exhibit 2253, Board of Patent Appeals and Interferences (Interference No. 105,393)*, (Oct. 1, 2007), 4 pgs.
- “Guthrie’s Objections to Espiau’s Motion 7 Evidence”, *Guthrie Exhibit 2249, Board of Patent Appeals and Interferences (Interference No. 105,393)*, (Aug. 7, 2007), 35 pgs.
- “Guthrie’s Objections to Espiau’s Opposition 6 Evidence”, *Guthrie Exhibit 2248, Board of Patent Appeals and Interferences (Interference No. 105,393)*, (Jun. 5, 2007), 13 pgs.
- “King Declaration E-Mail”, *Espiau Exhibit 1272, Board of Patent Appeals and Interferences (Interference No. 105,393)*, From Robert Morgan to Nicola Pisano, (Oct. 1, 2007), 1 pg.
- “Photograph of basement of 644 University Avenue, Los Gatos, California”, *Espiau Exhibit 1267, Board of Patent Appeals and Interferences (Interference No. 105,393)*, (No date listed), 1 pg.
- “Photograph of basement of 644 University Avenue, Los Gatos, California”, *Espiau Exhibit 1268, Board of Patent Appeals and Interferences (Interference No. 105,393)*, (No date listed), 1 pg.
- “Photograph of basement of 644 University Avenue, Los Gatos, California”, *Espiau Exhibit 1269, Board of Patent Appeals and Interferences (Interference No. 105,393)*, (No date listed), 1 pg.
- “Picture of Facade of Building #644”, *Espiau Exhibit 1265, Board of Patent Appeals and Interferences (Interference No. 105,393)*, (No date listed), 1 pg.
- “Sketch of basement of 644 University Avenue, Los Gatos, California”, *Espiau Exhibit 1266, Board of Patent Appeals and Interferences (Interference No. 105,393)*, (No date listed), 1 pg.
- “Sound Deposition Services, Inc. Transcript”, *Guthrie Exhibit 2247, Board of Patent Appeals and Interferences (Interference No. 105,393)*, The transcript was derived from the video located at <http://www.redherring.tv/luxim.htm>, (Sep. 11, 2007), 11 pgs.

“Teleconference Transcript for Call before Judge James Moore”,
Guthrie v. Espiau, Board of Patent Appeals and Interferences (Inter-
ference No. 105,393), (Oct. 4, 2007),22 pgs.

“Teleconference Transcript for Call before Judge Sally C. Medley”,
Guthrie Exhibit 2245, Board of Patent Appeals and Interferences
(Interference No. 105,393), (Aug. 1, 2007),30 pgs.

“Teleconference Transcript for Call before Judge Sally C. Medley”,
Guthrie v. Espiau, Board of Patent Appeals and Interferences (Inter-
ference No. 105,393), (Mar. 8, 2007),27 pgs.

“Teleconference Transcript for Call before Judge Sally C. Medley”,
Guthrie v. Espiau, Board of Patent Appeals and Interferences (Inter-
ference No. 105,393), (Oct. 15, 2007),26 pgs.

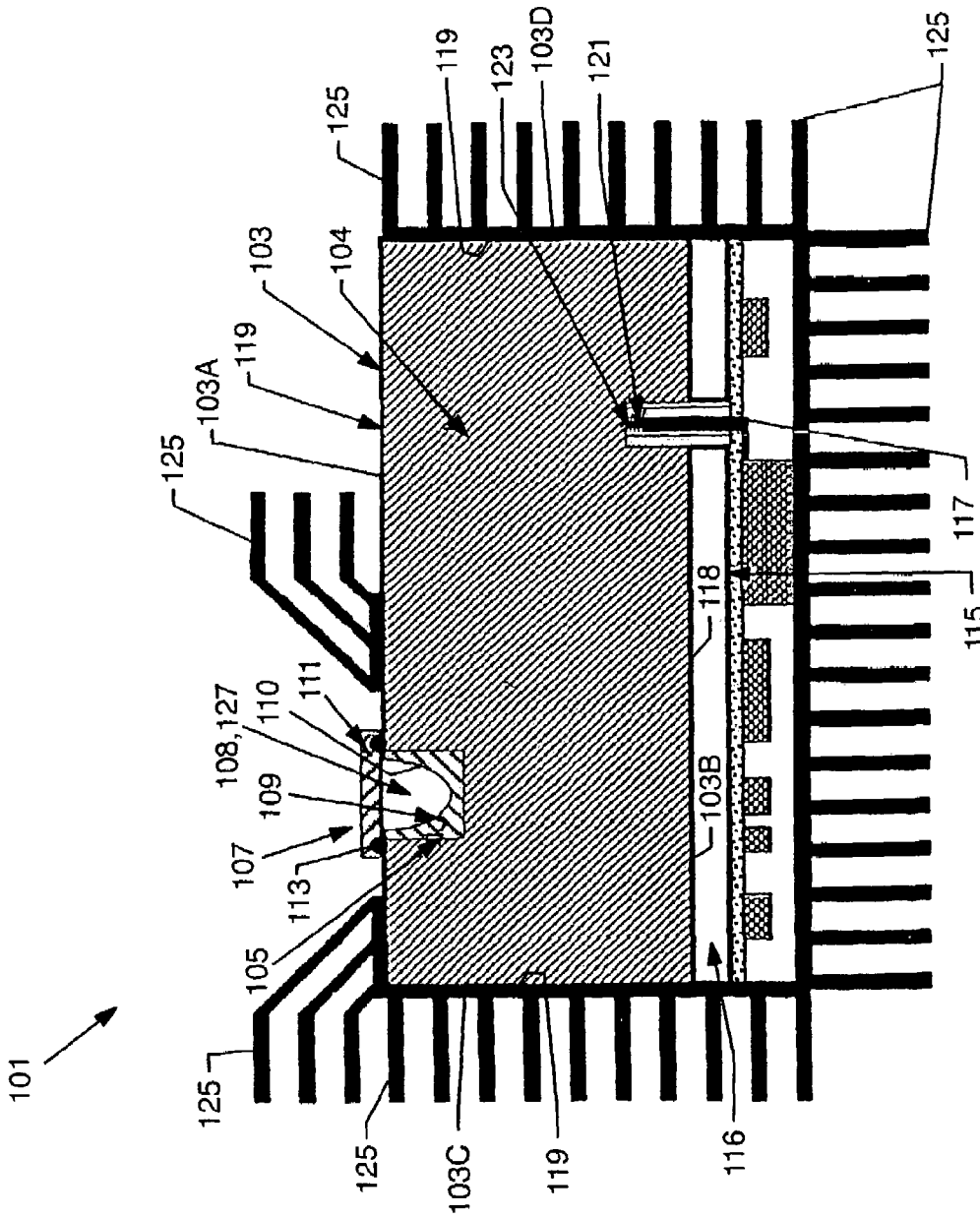


FIG. 1

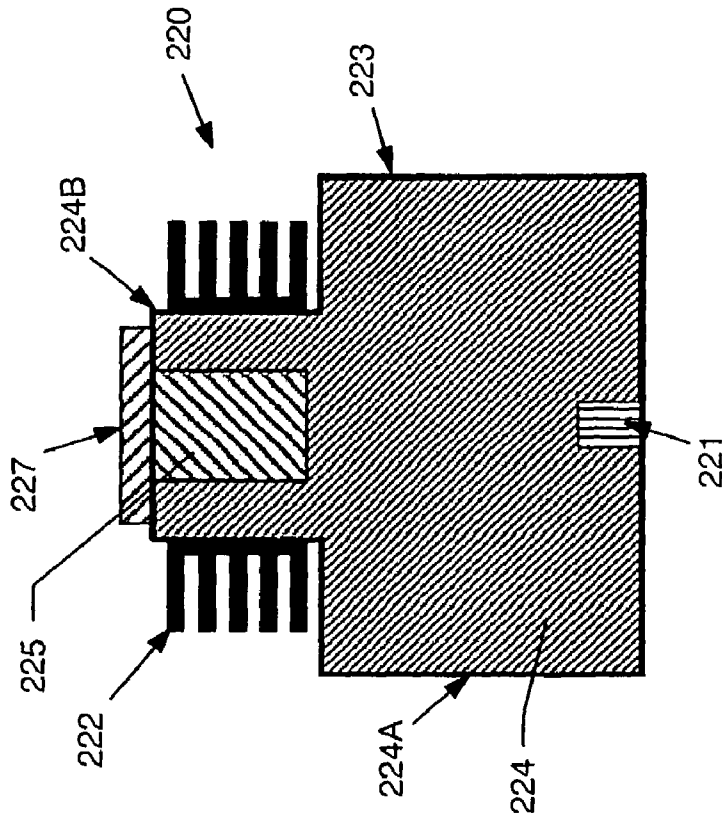


FIG. 2B

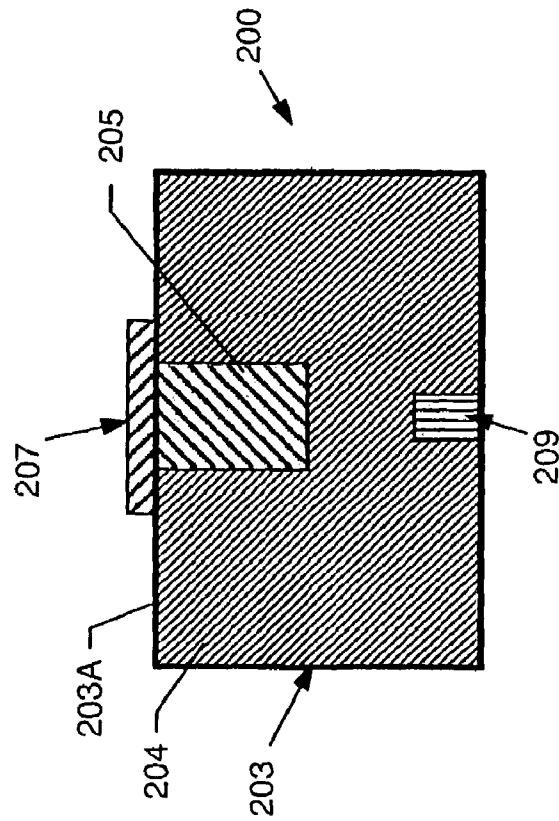


FIG. 2A

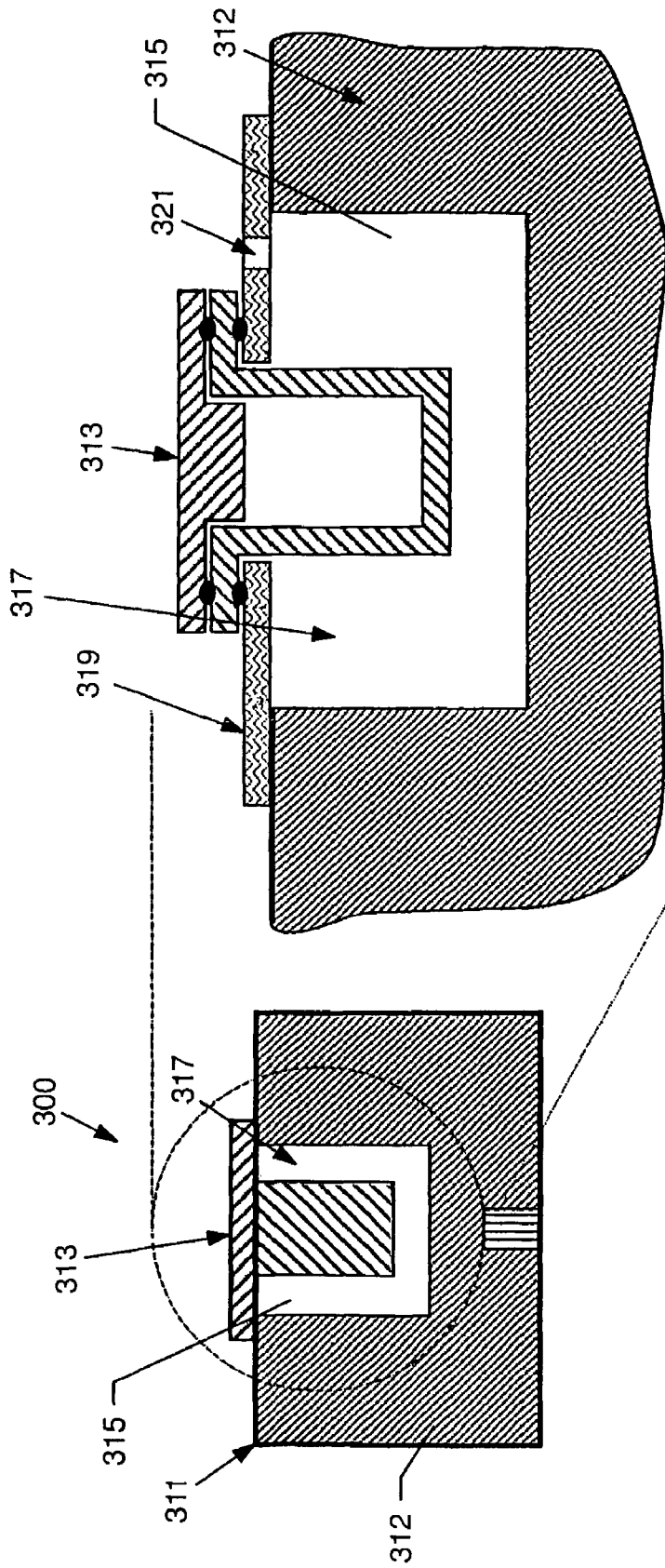


FIG. 3B

FIG. 3A

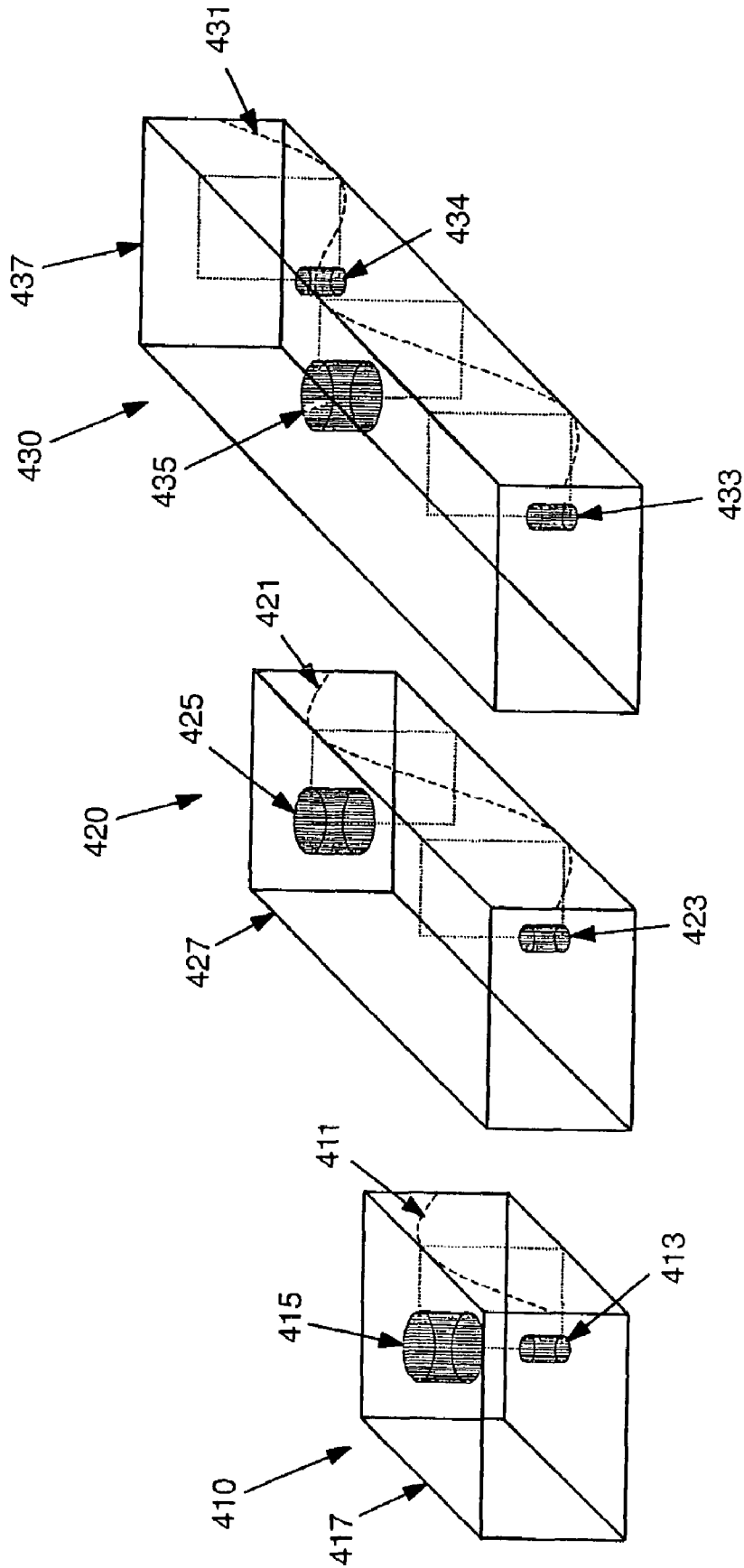


FIG. 4C

FIG. 4B

FIG. 4A

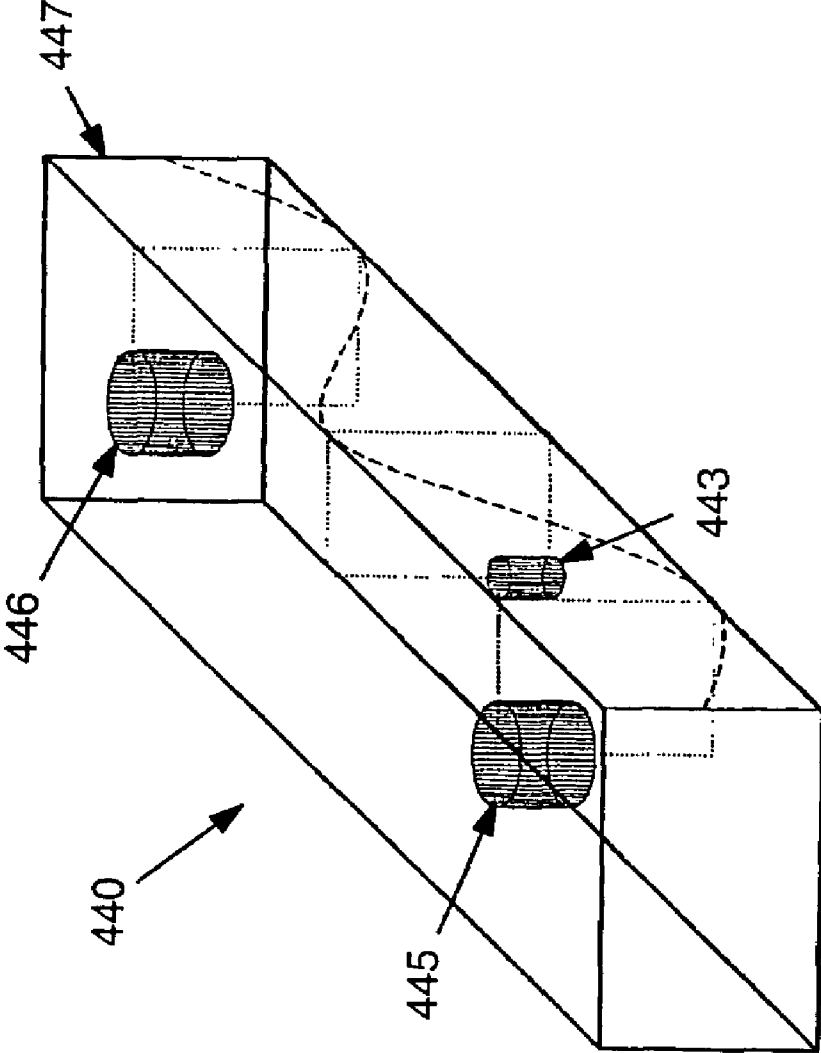


FIG. 4D

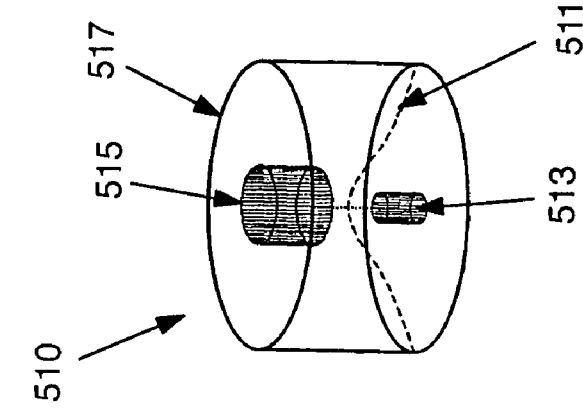
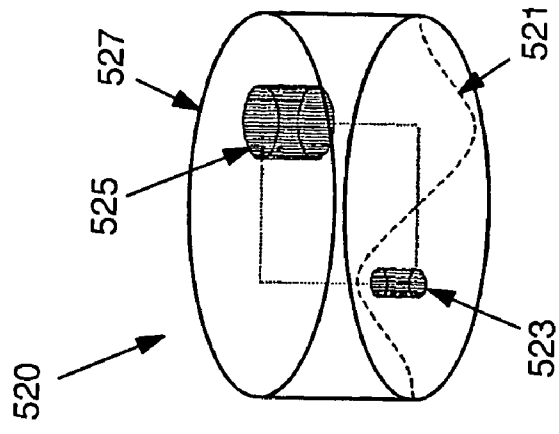
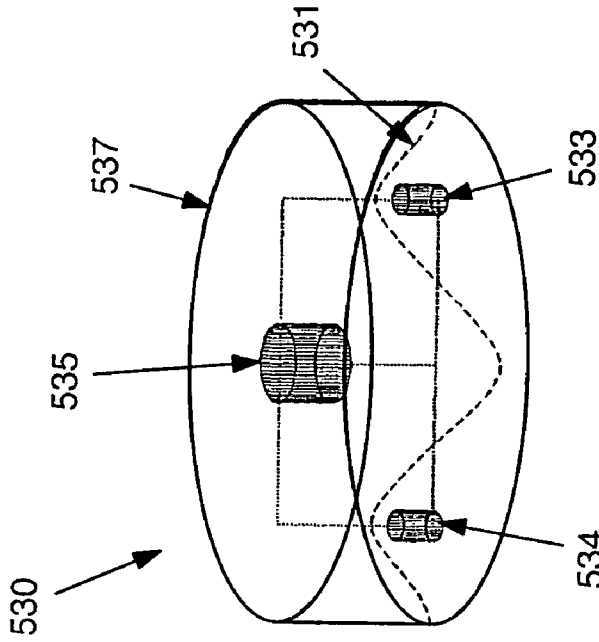


FIG. 5A

FIG. 5B

FIG. 5C

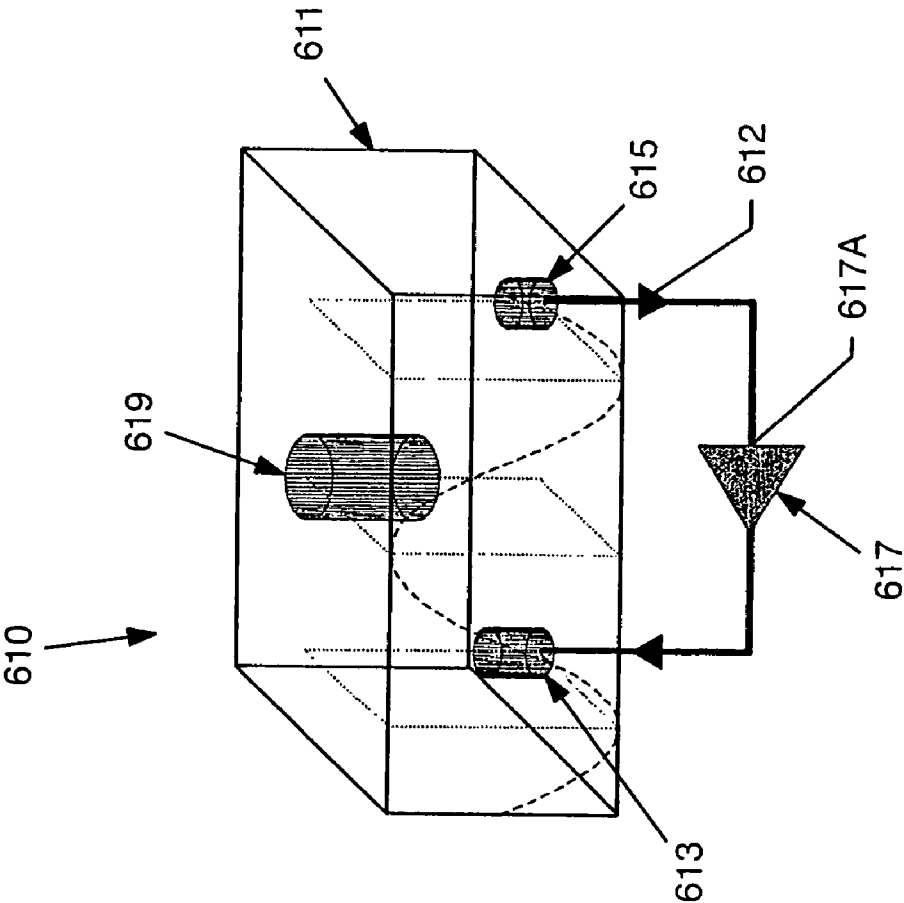


FIG. 6

PLASMA LAMP WITH DIELECTRIC WAVEGUIDE

CROSS-REFERENCE TO RELATED APPLICATIONS

This application is a continuation of U.S. application Ser. No. 10/771,788 filed on Feb. 4, 2004 now U.S. Pat. No. 7,348,732, entitled "Plasma Lamp With Dielectric Waveguide," which is a continuation of U.S. patent application Ser. No. 09/809,718 filed on Mar. 15, 2001 and issued on May 18, 2004 as U.S. Pat. No. 6,737,809, entitled "Plasma Lamp with Dielectric Waveguide," which claims priority to U.S. provisional application Ser. No. 60/222,028 filed on Jul. 31, 2000, entitled "Plasma Lamp" each of which is incorporated herein by reference.

BACKGROUND OF THE INVENTION

1. Field of the Invention

The field of the present invention relates to devices and methods for generating light, and more particularly to electrodeless plasma lamps.

2. Background

Electrodeless plasma lamps provide point-like, bright, white light sources. Because they do not use electrodes, electrodeless plasma lamps often have longer useful lifetimes than other lamps. Electrodeless plasma lamps in the prior art have certain common features. For example in U.S. Pat. No. 4,954,755 to Lynch et al., U.S. Pat. No. 4,975,625 to Lynch et al., U.S. Pat. No. 4,978,891 to Ury et al., U.S. Pat. No. 5,021,704 to Walter et al., U.S. Pat. No. 5,448,135 to Simpson, U.S. Pat. No. 5,594,303 to Simpson, U.S. Pat. No. 5,841,242 to Simpson et al., U.S. Pat. No. 5,910,710 to Simpson, and U.S. Pat. No. 6,031,333 to Simpson, each of which is incorporated herein by reference, the plasma lamps direct microwave energy into an air cavity, with the air cavity enclosing a bulb containing a mixture of substances that can ignite, form a plasma, and emit light.

The plasma lamps described in these patents are intended to provide brighter light sources with longer life and more stable spectrum than electrode lamps. However, for many applications, light sources that are brighter, smaller, less expensive, more reliable, and have long useful lifetimes are desired, but such light sources until now have been unavailable. Such applications include, for example, streetlights and emergency response vehicles. A need exists therefore, for a very bright, durable light source at low cost.

In the prior art, the air-filled cavity of the electrodeless plasma lamp is typically constructed in part by a metal mesh. Metal mesh is used because it contains the microwave energy within the cavity while at the same time permitting the maximum amount of visible light to escape. The microwave energy is typically generated by a magnetron or solid state electronics and is guided into the cavity through one or more waveguides. Once in the air-filled cavity, microwave energy of select frequencies resonates, where the actual frequencies that resonate depend upon the shape and size of the cavity. Although there is tolerance in the frequencies that may be used to power the lamps, in practice, the power sources are limited to microwave frequencies in the range of 1-10 GHz.

Because of the need to establish a resonance condition in the air-filled cavity, the cavity generally may not be smaller than one-half the wavelength of the microwave energy used to power the lamp. The air-filled cavity and thereby, the plasma lamp itself has a lower limit on its size. However, for many applications, such as for high-resolution monitors, bright

lamps, and projection TVs, these sizes remain prohibitively large. A need exists therefore for a plasma lamp that is not constrained to the minimum cavity sizes illustrated by the prior art.

In the prior art, the bulbs are typically positioned at a point in the cavity where the electric field created by the microwave energy is at a maximum. The support structure for the bulb is preferably of a size and composition that does not interfere with the resonating microwaves, as any interference with the microwaves reduces the efficiency of the lamp. The bulbs, therefore, are typically made from quartz. Quartz bulbs, however, are prone to failure because the plasma temperature can be several thousand degrees centigrade, which can bring the quartz wall temperature to near 1000° C. Furthermore, quartz bulbs are unstable in terms of mechanical stability and optical and electrical properties over long periods. A need exists, therefore, for a light source that overcomes the above-described issues, but that is also stable in its spectral characteristics over long periods.

In prior art plasma lamps, the bulb typically contains a noble gas combined with a light emitter, a second element or compound which typically comprises sulfur, selenium, a compound containing sulfur or selenium, or any one of a number of metal halides. Exposing the contents of the bulb to microwave energy of high intensity causes the noble gas to become a plasma. The free electrons within the plasma excite the light emitter within the bulb. When the light emitter returns to a lower electron state, radiation is emitted. The spectrum of light emitted depends upon the characteristics of the light emitter within the bulb. Typically, the light emitter is chosen to cause emission of visible light.

Plasma lamps of the type described above frequently require high intensity microwaves to initially ignite the noble gas into plasma. However, over half of the energy used to generate and maintain the plasma is typically lost as heat, making heat dissipation a problem. Hot spots can form on the bulb causing spotting on the bulb and thereby reducing the efficiency of the lamp. Methods have been proposed to reduce the hot spots by rotating the lamp to better distribute the plasma within the lamp and by blowing constant streams of air at the lamp. These solutions, however, add structure to the lamp, thereby increasing its size and cost. Therefore, a need exists for a plasma lamp that requires less energy to ignite and maintain the plasma, and includes a minimum amount of additional structure for efficient dissipation of heat.

SUMMARY OF THE INVENTION

This invention generally provides, in one aspect, devices and methods of producing bright, spectrally stable light.

In accordance with one embodiment as described herein, a device for producing light comprises an electromagnetic energy source, a waveguide having a body formed of a dielectric material, and a bulb. Preferably, the waveguide is connected to the energy source for receiving electromagnetic energy from the energy source. The waveguide builds and contains the electromagnetic energy. The bulb, which is coupled to the waveguide, receives electromagnetic energy from the waveguide. The received electromagnetic energy ignites a gas-fill that forms a plasma and emits light, preferably in the visible spectral range.

In one preferred embodiment, the bulb is shaped to reflect light outwards through its window. The electromagnetic energy source is preferably a microwave energy source that is efficiently coupled to and preferably thermally isolated from the waveguide. Furthermore, the outer surface of the waveguide, preferably with the exception of the bulb cavity, is

coated with a material to contain the microwave energy within the waveguide. The dielectric forming the waveguide preferably has a high dielectric constant, a high dielectric strength, and a low loss tangent. This permits high power densities within the waveguide. A heat sink preferably is attached to the outer surfaces of the waveguide to dissipate heat.

In accordance with a first alternative embodiment, the lamp is operated in resonant cavity mode. In this mode, the microwave energy directed into the waveguide has a frequency such that it resonates within the waveguide. The microwave feed and the bulb are preferably positioned at locations with respect to the waveguide that correspond to electric field maxima of the resonant frequency.

In accordance with a second alternative embodiment, the lamp is operated in a dielectric oscillator mode. In this mode, an energy feedback mechanism or probe is coupled to the dielectric waveguide at a point that in one embodiment corresponds to an energy maximum. The probe senses the electric field amplitude and phase within the waveguide at the point of coupling. Using the probe signal to provide feedback, the lamp may be continuously operated in resonant cavity mode, even if the resonant frequency changes as the plasma forms in the bulb and/or if the dielectric waveguide undergoes thermal expansion due to the heat generated. The probe provides feedback to the microwave source and the microwave source adjusts its output frequency to dynamically maintain a resonance state.

Further embodiments, variations and enhancements, including combinations of the above-described embodiments, or features thereof, are also described herein or depicted in the accompanying drawings.

BRIEF DESCRIPTION OF THE DRAWINGS

FIG. 1 illustrates a sectional view of a plasma lamp according to a preferred embodiment.

FIGS. 2A and 2B illustrate sectional views of alternative embodiments of a plasma lamp.

FIGS. 3A and 3B illustrate a sectional view of an alternative embodiment of a plasma lamp wherein the bulb is thermally isolated from the dielectric waveguide.

FIGS. 4A-D illustrate different resonant modes within a rectangular prism-shaped waveguide.

FIGS. 5A-C illustrate different resonant modes within using a cylindrical prism-shaped cylindrical waveguide.

FIG. 6 illustrates an embodiment of the apparatus using a feedback mechanism to provide feedback to the microwave source to maintain a resonant mode of operation.

DETAILED DESCRIPTION OF THE PREFERRED EMBODIMENTS

Turning now to the drawings, FIG. 1 illustrates a preferred embodiment of a dielectric waveguide integrated plasma lamp 101 (DWIPL). The DWIPL 101 preferably comprises a source 115 of electromagnetic radiation, preferably microwave radiation, a waveguide 103 having a body formed of a dielectric material, and a feed 117 coupling the radiation source 115 to the waveguide 103. As used herein, the term "waveguide" generally refers to any device having a characteristic and purpose of at least partially confining electromagnetic energy. The DWIPL 101 further includes a bulb 107, that is preferably disposed on an opposing side of the waveguide 103, and contains a gas-fill, preferably comprising a noble gas and a light emitter, which when receiving elec-

tromagnetic energy at a specific frequency and intensity forms a plasma and emits light.

In a preferred embodiment, the microwave radiation source 115 feeds the waveguide 103 microwave energy via the feed 117. The waveguide contains and guides the microwave energy to a cavity 105 preferably located on an opposing side of the waveguide 103 from the feed 117. Disposed within the cavity 105 is the bulb 107 containing the gas-fill. Microwave energy is preferably directed into the enclosed cavity 105, and in turn the bulb 107. This microwave energy generally frees electrons from their normal state and thereby transforms the noble gas into a plasma. The free electrons of the noble gas excite the light emitter. The de-excitation of the light emitter results in the emission of light. As will become apparent, the different embodiments of DWIPLs disclosed herein offer distinct advantages over the plasma lamps in the prior art, such as an ability to produce brighter and spectrally more stable light, greater energy efficiency, smaller overall lamp sizes, and longer useful life spans.

The microwave source 115 in FIG. 1 is shown schematically as solid state electronics, however, other devices commonly known in the art that can operate in the 0.5-30 GHz range may also be used as a microwave source, including but not limited to klystrons and magnetrons. The preferred range for the microwave source is from about 500 MHz to about 10 GHz.

Depending upon the heat sensitivity of the microwave source 115, the microwave source 115 may be thermally isolated from the bulb 107, which during operation preferably reaches temperatures between about 700° C. and about 1000° C. Thermal isolation of the bulb 107 from the source 115 provides a benefit of avoiding degradation of the source 115. Additional thermal isolation of the microwave source 115 may be accomplished by any one of a number of methods commonly known in the art, including but not limited to using an insulating material or vacuum gap occupying an optional space 116 between the source 115 and waveguide 103. If the latter option is chosen, appropriate microwave feeds are used to couple the microwave source 115 to the waveguide 103.

In FIG. 1, the feed 117 that transports microwaves from the source 115 to the waveguide 103 preferably comprises a coaxial probe. However, any one of several different types of microwave feeds commonly known in the art may be used, such as microstrip lines or fin line structures.

Due to mechanical and other considerations such as heat, vibration, aging, or shock, when feeding microwave signals into a dielectric material, contact between the feed 117 and the waveguide 103 is preferably maintained using a positive contact mechanism 121. The contact mechanism 121 provides constant pressure between the feed 117 and the waveguide 103 to minimize the probability that microwave energy will be reflected back through the feed 117 and not transmitted into the waveguide 103. In providing constant pressure, the contact mechanism 121 compensates for small dimensional changes in the microwave feed 117 and the waveguide 103 that may occur due to thermal heating or mechanical shock. The contact mechanism may be a spring loaded device, such as is illustrated in FIG. 1, a bellows type device, or any other device commonly known in the art that can sustain a constant pressure for continuously and steadily transferring microwave energy.

When coupling the feed 117 to the waveguide 103, intimate contact is preferably made by depositing a metallic material 123 directly on the waveguide 103 at its point of contact with the feed 117. The metallic material 123 eliminates gaps that may disturb the coupling and is preferably comprised of gold, silver, or platinum, although other conductive materials may

also be used. The metallic material **123** may be deposited using any one of several methods commonly known in the art, such as depositing the metallic material **123** as a liquid and then firing it in an oven to provide a solid contact.

In FIG. **1**, the waveguide **103** is preferably the shape of a rectangular prism, however, the waveguide **103** may also have a cylindrical prism shape, a sphere-like shape, or any other shape, including a complex, irregular shape the resonant frequencies of which are preferably determined through electromagnetic simulation tools, that can efficiently guide microwave energy from the feed **117** to the bulb **107**. The actual dimensions of the waveguide may vary depending upon the frequency of the microwave energy used and the dielectric constant of the body of waveguide **103**.

In one preferred embodiment, the waveguide body is approximately 12,500 mm³ with a dielectric constant of approximately 9 and operating frequency of approximately 2.4 GHz. Waveguide bodies on this scale are significantly smaller than the waveguides in the plasma lamps of the prior art. As such, the waveguides in the preferred embodiments represent a significant advance over the prior art because the smaller size allows the waveguide to be used in many applications, where waveguide size had previously prohibited such use or made such use wholly impractical. For larger dielectric constants, even smaller sizes for the waveguides may be achieved. Besides the obvious advantages created by a reduction in size, size reduction translates into a higher power density, lower loss, and thereby, an ease in igniting the lamp.

Regardless of its shape and size, the waveguide **103** preferably has a body comprising a dielectric material which, for example, preferably exhibits the following properties: (1) a dielectric constant preferably greater than approximately 2; (2) a loss tangent preferably less than approximately 0.01; (3) a thermal shock resistance quantified by a failure temperature of preferably greater than approximately 200° C.; (4) a DC breakdown threshold of preferably greater than approximately 200 kilovolts/inch; (5) a coefficient of thermal expansion of preferably less than approximately 10^{-5/°} C.; (6) a zero or slightly negative temperature coefficient of the dielectric constant; (7) stoichiometric stability over a preferred range of temperature, preferably from about -80° C. to about 1000° C., and (8) a thermal conductivity of preferably approximately 2 W/mK (watts per milliKelvin).

Certain ceramics, including alumina, zirconia, titanates, and variants or combinations of these materials, and silicone oil may satisfy many of the above preferences, and may be used because of their electrical and thermo-mechanical properties. In any event, it should be noted that the embodiments presented herein are not limited to a waveguide exhibiting all or even most of the foregoing properties.

In the various embodiments of the waveguide disclosed herein, such as in the example outlined above, the waveguide preferably provides a substantial thermal mass, which aids efficient distribution and dissipation of heat and provides thermal isolation between the lamp and the microwave source.

Alternative embodiments of DWIPLS **200**, **220** are depicted in FIGS. **2A-B**. In FIG. **2A**, a bulb **207** and bulb cavity **205** are provided on one side of a waveguide **203**, preferably on a side opposite a feed **209**, and more preferably in the same plane as the feed **209**, where the electric field of the microwave energy is at a maximum. Where more than one maximum of the electric field is provided in the waveguide **203**, the bulb **207** and bulb cavity **205** may be positioned at one maximum and the feed **209** at another maximum. By placing the feed **209** and bulb **207** at a maximum for the electric field, a maximum amount of energy is respectively

transferred and intercepted. The bulb cavity **205** is a concave form in the body of the waveguide **203**.

As shown in FIG. **2B**, the body of the waveguide **223** optionally protrudes outwards in a convex form, from the main part of the body of the waveguide **203** to form the bulb cavity **225**. As in FIG. **2A**, in FIG. **2B**, the bulb **227** is preferably positioned opposite to the feed **221**. However, where more than one electric field maximum is provided in the waveguide **203**, the bulb **207**, **227** may be positioned in a plane other than the plane of the feed **209**, **221**.

Returning to FIG. **1**, the outer surfaces of the waveguide **103**, with the exception of those surfaces forming the bulb cavity **105**, are preferably coated with a thin metallic coating **119** to reflect the microwaves. The overall reflectivity of the coating **119** determines the level of energy contained within the waveguide **103**. The more energy that can be stored within the waveguide **103**, the greater the overall efficiency of the lamp **101**. The coating **119** also preferably suppresses evanescent radiation leakage. In general, the coating **119** preferably significantly eliminates any stray microwave field.

Microwave leakage from the bulb cavity **105** may be significantly attenuated by having a cavity **105** that is preferably significantly smaller than the microwave wavelengths used to operate the lamp **101**. For example, the length of the diagonal for the window is preferably considerably less than half of the microwave wavelength (in free space) used.

The bulb **107** is disposed within the bulb cavity **105**, and preferably comprises an outer wall **109** and a window **111**. In one preferred embodiment, the cavity wall of the body of the waveguide **103** acts as the outer wall of the bulb **107**. The components of the bulb **107** preferably include one or more dielectric materials, such as ceramics and sapphires. In one embodiment, the ceramics in the bulb are the same as the material used in waveguide **103**. Dielectric materials are preferred for the bulb **107** because the bulb **107** is preferably surrounded by the dielectric body of the waveguide **103** and the dielectric materials help ensure efficient coupling of the microwave energy with the gas-fill in the bulb **107**.

The outer wall **109** is preferably coupled to the window **111** using a seal **113**, thereby defining a bulb envelope **127** which contains the gas-fill comprising the plasma-forming gas and light emitter. The plasma-forming gas is preferably a noble gas, which enables the formation of a plasma. The light emitter is preferably a vapor formed of any one of a number of elements or compounds currently known in the art, such as sulfur, selenium, a compound containing sulfur or selenium, or any one of a number of metal halides, such as indium bromide (InBr₃).

To assist in confining the gas-fill within the bulb **107**, the seal **113** preferably comprises a hermetic seal. The outer wall **109** preferably comprises alumina because of its white color, temperature stability, low porosity, and thermal expansion coefficient. However, other materials that generally provide one or more of these properties may be used. The outer wall **109** is also preferably contoured to reflect a maximum amount of light out of the cavity **105** through the window **111**. For instance, the outer wall **109** may have a parabolic contour to reflect light generated in the bulb **107** out through the window **111**. However, other outer wall contours or configurations that facilitate directing light out through the window **111** may be used.

The window **111** preferably comprises sapphire for light transmittance and because its thermal expansion coefficient matches well with alumina. Other materials that have a similar light transmittance and thermal expansion coefficient may

be used for the window **111**. In an alternative embodiment, the window **111** may comprise a lens to collect the emitted light.

As referenced above, during operation, the bulb **107** may reach temperatures of up to about 1000°C . Under such conditions, the waveguide **103** in one embodiment acts as a heat sink for the bulb **107**. By reducing the heat load and heat-induced stress upon the various components of the DWIPL **101**, the useful life span of the DWIPL **101** is generally increased beyond the life span of typical electrodeless lamps. Effective heat dissipation may be obtained by preferably placing heat-sinking fins **125** around the outer surfaces of the waveguide **103**, as depicted in FIG. 1. In the embodiment shown in FIG. 2B, with the cavity **225** extending away from the main part of the body of the waveguide **223**, the DWIPL **220** may be used advantageously to remove heat more efficiently by placing fins **222** in closer proximity to the bulb **227**.

In another embodiment, the body of the waveguide **103** comprises a dielectric, such as a titanate, which is generally not stable at high temperatures. In this embodiment, the waveguide **103** is preferably shielded from the heat generated in the bulb **107** by placing a thermal barrier between the body of the waveguide **103** and the bulb **107**. In one alternative embodiment, the outer wall **109** acts as a thermal barrier by comprising a material with low thermal conductivity such as NZP. Other suitable material for a thermal barrier may also be used.

FIGS. 3A and 3B illustrate an alternative embodiment of a DWIPL **300** wherein a vacuum gap acts as a thermal barrier. As shown in FIG. 3A, the bulb **313** of the DWIPL **300** is disposed within a bulb cavity **315** and is separated from the waveguide **311** by a gap **317**, the thickness of which preferably varies depending upon the microwave propagation characteristics and material strength of the material used for the body of the waveguide **311** and the bulb **313**. The gap **317** is preferably a vacuum, minimizing heat transfer between the bulb **313** and the waveguide **311**.

FIG. 3B illustrates a magnified view of the bulb **313**, bulb cavity **315**, and vacuum gap **317** for the DWIPL **300**. The boundaries of the vacuum gap **317** are formed by the waveguide **311**, a bulb support **319**, and the bulb **313**. The bulb support **319** may be sealed to the waveguide **311**, the support **319** extending over the edges of the bulb cavity **315** and comprising a material such as alumina that preferably has high thermal conductivity to help dissipate heat from the bulb **313**.

Embedded in the support **319** is an access seal **321** for establishing a vacuum within the gap **317** when the bulb **313** is in place. The bulb **313** is preferably supported by and hermetically sealed to the bulb support **319**. Once a vacuum is established in the gap **317**, heat transfers between the bulb **313** and the waveguide **311** are preferably substantially reduced.

Embodiments of the DWIPLs thus far described preferably operate at a microwave frequency in the range of 0.5-10 GHz. The operating frequency preferably excites one or more resonant modes supported by the size and shape of the waveguide, thereby establishing one or more electric field maxima within the waveguide. When used as a resonant cavity, at least one dimension of the waveguide is preferably an integer number of half-wavelengths long.

FIGS. 4A-C illustrate three alternative embodiments of DWIPLs **410**, **420**, **430** operating in different resonant modes. FIG. 4A illustrates a DWIPL **410** operating in a first resonant mode **411** where one axis of a rectangular prism-shaped waveguide **417** has a length that is one-half the wavelength of the microwave energy used. FIG. 4B illustrates a DWIPL **420**

operating in a resonant mode **421** where one axis of a rectangular prism-shaped waveguide **427** has a length that is equal to one wavelength of the microwave energy used. FIG. 4C illustrates a DWIPL **430** operating in a resonant mode **431** where one axis of a rectangular prism-shaped waveguide **437** has a length that is $1\frac{1}{2}$ wavelengths of the microwave energy used.

In each of the DWIPLs and corresponding modes depicted in FIGS. 4A-C, and for DWIPLs operating at any higher modes, the bulb cavity **415**, **425**, **435** and the feed(s) **413**, **423**, **433**, **434** are preferably positioned with respect to the waveguide **417**, **427**, **437** at locations where the electric fields are at an operational maximum. However, the bulb cavity and the feed do not necessarily have to lie in the same plane.

FIG. 4C illustrates an additional embodiment of a DWIPL **430** wherein two feeds **433**, **434** are used to supply energy to the waveguide **437**. The two feeds **433**, **434** may be coupled to a single microwave source or multiple sources (not shown).

FIG. 4D illustrates another embodiment wherein a single energy feed **443** supplies energy into the waveguide **447** having multiple bulb cavities **415**, **416**, each positioned with respect to the waveguide **447** at locations where the electric field is at a maximum.

FIGS. 5A-C illustrate DWIPLs **510**, **520**, **530** having cylindrical prism-shaped waveguides **517**, **527**, **537**. In the embodiments depicted in FIGS. 5A-C, the height of the cylinder is preferably less than its diameter, the diameter preferably being close to an integer multiple of the lowest order half-wavelength of energy that can resonate within the waveguide **517**, **527**, **537**. Placing such a dimensional restriction on the cylinder results in the lowest resonant mode being independent of the height of the cylinder. The diameter of the cylinder thereby dictates the fundamental mode of the energy within the waveguide **517**, **527**, **537**. The height of the cylinder can therefore be optimized for other requirements such as size and heat dissipation. In FIG. 5A, the feed **513** is preferably positioned directly opposite the bulb cavity **515** and the zeroth order Bessel mode **511** is preferably excited.

Other modes may also be excited within a cylindrical prism-shaped waveguide. For example, FIG. 5B illustrates a DWIPL **520** operating in a resonant mode where the cylinder **527** has a diameter that is preferably close to one wavelength of the microwave energy used.

As another example, FIG. 5C illustrates a DWIPL **520** operating in a resonant mode where the cylinder **537** has a diameter that is preferably close to $\frac{1}{2}$ wavelengths of the microwave energy used. FIG. 5C additionally illustrates an embodiment of a DWIPL **530** whereby two feeds **533**, **534** are used to supply energy to the cylinder-shaped waveguide **537**. As with other embodiments of the DWIPL, in a DWIPL having a cylinder-shaped waveguide, the bulb cavity **515**, **525**, **535** and the feed(s) **513**, **523**, **533**, **534** are preferably positioned with respect to the waveguide **517**, **527**, **537** at locations where the electric field is at a maximum.

Using a dielectric waveguide has several distinct advantages. First, as discussed above, the waveguide may be used to help dissipate the heat generated in the bulb. Second, higher power densities may be achieved within a dielectric waveguide than are possible in the plasma lamps with air cavities that are currently used in the art. The energy density of a dielectric waveguide is greater, depending on the dielectric constant of the material used for the waveguide, than the energy density of an air cavity plasma lamp.

Referring back to the DWIPL **101** of FIG. 1, high resonant energy within the waveguide **103**, corresponding to a high value for Q (where Q is the ratio of the operating frequency to the frequency width of the resonance) for the waveguide

results in a high evanescent leakage of microwave energy into the bulb cavity **105**. High leakage in the bulb cavity **105** leads to the quasi-static breakdown of the noble gas within the envelope **127**, thus generating the first free electrons. The oscillating energy of the free electrons scales as $|\lambda|^2$, where $|\lambda|^2$ is the circulating intensity of the microwave energy and λ is the wavelength of that energy. Therefore, the higher the microwave energy, the greater is the oscillating energy of the free electrons. By making the oscillating energy greater than the ionization potential of the gas, electron-neutral collisions result in efficient build-up of plasma density.

Once the plasma is formed in the DWIPL and the incoming power is absorbed, the waveguide's Q value drops due to the conductivity and absorption properties of the plasma. The drop in the Q value is generally due to a change in the impedance of the waveguide. After plasma formation, the presence of the plasma in the cavity makes the bulb cavity absorptive to the resonant energy, thus changing the overall impedance of the waveguide. This change in impedance is effectively a reduction in the overall reflectivity of the waveguide. Therefore, by matching the reflectivity of the feed close to the reduced reflectivity of the waveguide, a sufficiently high Q value may be obtained even after the plasma formation to sustain the plasma. Consequently, a relatively low net reflection back into the energy source may be realized.

Much of the energy absorbed by the plasma eventually appears as heat, such that the temperature of the lamp may approach 1000° C. When the waveguide is also used as a heat sink, as previously described, the dimensions of the waveguide may change due to its coefficient of thermal expansion. Under such circumstances, when the waveguide expands, the microwave frequency that resonates within the waveguide changes and resonance is lost. In order for resonance to be maintained, the waveguide preferably has at least one dimension equal to an integer multiple of the half wavelength microwave frequency being generated by the microwave source.

One preferred embodiment of a DWIPL that compensates for this change in dimensions employs a waveguide comprising a dielectric material having a temperature coefficient for the refractive index that is approximately equal and opposite in sign to its temperature coefficient for thermal expansion. Using such a material, a change in dimensions due to thermal heating offsets the change in refractive index, minimizing the potential that the resonant mode of the cavity would be interrupted. Such materials include Titanates. A second embodiment that compensates for dimensional changes due to heat comprises physically tapering the walls of the waveguide in a predetermined manner.

In another preferred embodiment, schematically shown in FIG. 6, a DWIPL **610** may be operated in a dielectric resonant oscillator mode. In this mode, first and second microwave feeds **613**, **615** are coupled between the dielectric waveguide **611**, which may be of any shape previously discussed, and the microwave energy source **617**. The energy source **617** is preferably broadband with a high gain and high power output and capable of driving plasma to emission.

The first feed **613** may generally operate as described above in other embodiments. The second feed **615** may probe the waveguide **611** to sample the field (including the amplitude and phase information contained therein) present and provide its sample as feedback to an input of the energy source **617** or amplifier. In probing the waveguide **611**, the second feed **615** also preferably acts to filter out stray frequencies, leaving only the resonant frequency within the waveguide **611**.

In this embodiment, the first feed **613**, second feed, **615** and bulb cavity **619** are each preferably positioned with respect to the waveguide **611** at locations where the electric field is at a maximum. Using the second feed **615**, the energy source **617** amplifies the resonant energy within the waveguide **611**. The source **617** thereby adjusts the frequency of its output to maintain one or more resonant modes in the waveguide **611**. The complete configuration thus forms a resonant oscillator. In this manner, automatic compensation may be realized for frequency shifts due to plasma formation and thermal changes in dimension and the dielectric constant.

The dielectric resonant oscillator mode also enables the DWIPL **610** to have an immediate re-strike capability after being turned off. As previously discussed, the resonant frequency of the waveguide **611** may change due to thermal expansion or changes in the dielectric constant caused by heat generated during operation. When the DWIPL **610** is shut-down, heat is slowly dissipated, causing instantaneous changes in the resonant frequency of the waveguide **611**.

However, as indicated above, in the resonant oscillator mode the energy source **617** automatically compensates for changes in the resonant frequency of the waveguide **611**. Therefore, regardless of the startup characteristics of the waveguide **611**, and providing that the energy source **617** has the requisite bandwidth, the energy source **617** will automatically compensate to achieve resonance within the waveguide **611**. The energy source immediately provides power to the DWIPL at the optimum plasma-forming frequency.

While embodiments and advantages of this invention have been shown and described, it would be apparent to those skilled in the art that many more modifications are possible without departing from the inventive concepts herein. The invention, therefore, is not to be restricted except in the spirit of the appended claims.

What is claimed is:

1. A plasma lamp comprising:

a waveguide body comprising at least one solid dielectric material;

the body having a diameter and a length transverse to the diameter, wherein the diameter of the body is greater than the length of the body;

a power source configured to provide power to the body at about a frequency that resonates within the body; and

a fill positioned proximate to the body to receive the power from the body, the fill of the plasma lamp capable of forming a plasma when the power is received from the body.

2. The plasma lamp of claim 1, wherein the body further comprises at least a second solid dielectric material.

3. The lamp of claim 1, further comprising a bulb that encloses the fill.

4. The lamp of claim 3, wherein the body forms an opening and at least a portion of the bulb is positioned in the opening.

5. The lamp of claim 4, wherein at least the portion of the bulb extends from within the opening to an outer surface of the body such that light is transmitted through the bulb away from the body.

6. The lamp of claim 4, wherein the bulb has a transparent portion positioned outside of the opening through which light is transmitted away from the body.

7. The lamp of claim 1, wherein the body has an electrically conductive coating on an outer surface of the body except in a region where the power is provided from the body to the fill.

8. The lamp of claim 5, wherein the outer surface has an electrically conductive coating and the opening exposes at least one uncoated surface of the body through which power is provided from the body to the fill.

11

9. The lamp of claim 1, wherein the body has a cylindrical prism shape.

10. The lamp of claim 3, wherein the bulb is positioned proximate to an electric field maxima of the power in the body.

11. The lamp of claim 1, wherein the diameter of the body is less than about one wavelength of the power in the body at about the resonant frequency.

12. The lamp of claim 1, wherein the diameter of the body is equal to about one half wavelength of the power in the body at about the resonant frequency.

13. The lamp of claim 1, wherein the length of the body is less than about one half wavelength of the power in the body at about the resonant frequency.

14. The lamp of claim 1, wherein the source is configured to excite a zeroth order Bessel mode in the body.

15. The lamp of claim 1, further comprising a first feed coupled to the source to provide the power from the source to the body.

16. The lamp of claim 15, further comprising a second feed coupled to the body.

17. The lamp of claim 1, wherein the power is provided at a frequency in the range of about 500 MHz to 10 GHz and resonates within the body in a fundamental resonant mode.

18. The lamp of claim 3, wherein the body has a central axis transverse to the diameter of the body and the bulb is positioned at about the central axis of the body.

19. The lamp of claim 18, further comprising a probe inserted into the body in a direction substantially parallel to the central axis of the body, the probe coupled to the source to provide the power from the source to the body.

20. The lamp of claim 1, wherein the source includes an amplifier, the lamp further comprising a feed coupled to the body to provide feedback from the body to the amplifier.

21. The lamp of claim 1, wherein the body comprises:

a dielectric constant greater than about 2;

a loss tangent less than approximately 0.01;

a DC breakdown threshold greater than approximately 200 kilovolts/inch;

a thermal shock resistance quantified by a failure temperature greater than approximately 200° C.;

a coefficient of thermal expansion less than approximately 10⁻⁵/° C.; and

stoichiometric stability over a temperature range from about -80° C. to about 1000° C.

22. The lamp of claim 17, wherein the diameter of the body is less than about one wavelength of the power in the body at the resonant frequency, the body has a dielectric constant greater than about 2, and the body includes an outer surface coated with an electrically conductive material.

23. The lamp of claim 22, wherein the body has a central axis transverse to the diameter of the body and the bulb is positioned at about the central axis of the body proximate to an electric field maxima of the power in the body,

the lamp further comprising a probe inserted into the body aligned substantially parallel to the central axis of the body, the probe coupled to the source to provide the power from the source to the body.

24. The lamp of claim 23, wherein the body comprises:

a loss tangent less than approximately 0.01;

a DC breakdown threshold greater than approximately 200 kilovolts/inch;

12

a thermal shock resistance quantified by a failure temperature greater than approximately 200° C.; and
a coefficient of thermal expansion less than approximately 10⁻⁵/° C.

25. A method comprising:

providing a plasma lamp including a waveguide body comprising at least one solid dielectric material, wherein the body has a diameter and a length transverse to the diameter and the diameter of the body is greater than the length of the body;

coupling power into the body at about a frequency that resonates within the body; and

positioning a fill proximate to the body to receive the power from the body to form a light emitting plasma.

26. The method of claim 25, further comprising providing the power from the body to the fill to form a light emitting plasma.

27. The method of claim 25, further comprising adjusting the frequency of the power after the light emitting plasma is formed.

28. The method of claim 26, further comprising transmitting light from the plasma through an opening formed in a surface of the body.

29. The method of claim 28, wherein the surface is coated with an electrically conductive material.

30. The method of claim 25, further comprising enclosing the fill in a bulb and substantially containing the power at the outer surface of the body except for at least one region proximate the bulb and at least one region where power is coupled between a source and the body.

31. The method of claim 25, further comprising causing the power to resonate in the body at a fundamental resonant mode.

32. The method of claim 25, further comprising causing the power to resonate in the body in a resonant mode that is substantially independent of the length of the body.

33. A method comprising:

providing a plasma lamp including a waveguide body comprising at least one dielectric material having a dielectric constant greater than 2, wherein the body has a diameter and a length transverse to the diameter and the diameter of the body is greater than the length of the body;

coupling microwave power into the body at about a frequency that resonates within the body; and

providing the microwave power from the body to the light emitting plasma.

34. The method of claim 33, further comprising causing the power to resonate in the body in a fundamental resonant mode determined by the diameter of the body.

35. The method of claim 34, wherein the fundamental resonant mode is independent of the length of the body.

36. The lamp of claim 1, wherein the body consists essentially of the at least one solid dielectric material and has a volume greater than a volume of the bulb.

37. The lamp of claim 7, wherein the body consists essentially of the at least one solid dielectric material and has a volume greater than a volume of the bulb.

38. The lamp of claim 13, wherein the body consists essentially of the at least one solid dielectric material and has a volume greater than a volume of the bulb.

* * * * *