



US007186003B2

(12) **United States Patent**
Dowling et al.

(10) **Patent No.:** **US 7,186,003 B2**
(45) **Date of Patent:** **Mar. 6, 2007**

(54) **LIGHT-EMITTING DIODE BASED PRODUCTS**

(75) Inventors: **Kevin J. Dowling**, Westford, MA (US); **Frederick M. Morgan**, Quincy, MA (US); **Ihor A. Lys**, Boston, MA (US); **Michael K. Blackwell**, Milton, MA (US); **Alfred Ducharme**, Tewksbury, MA (US); **Ralph Osterhout**, San Francisco, CA (US); **Colin Piepgras**, Salem, MA (US); **George G. Mueller**, Boston, MA (US); **Dawn Geary**, Southborough, MA (US)

(73) Assignee: **Color Kinetics Incorporated**, Boston, MA (US)

(*) Notice: Subject to any disclaimer, the term of this patent is extended or adjusted under 35 U.S.C. 154(b) by 251 days.

(21) Appl. No.: **09/805,368**

(22) Filed: **Mar. 13, 2001**

(65) **Prior Publication Data**

US 2003/0206411 A9 Nov. 6, 2003

Related U.S. Application Data

(63) Continuation-in-part of application No. 09/742,017, filed on Dec. 20, 2000, now abandoned, which is a
(Continued)

(60) Provisional application No. 60/211,417, filed on Jun. 14, 2000, provisional application No. 60/199,333, filed on Apr. 24, 2000, provisional application No. 60/090,920, filed on Jun. 26, 1998, provisional application No. 60/079,285, filed on Mar. 25, 1998, provisional application No. 60/078,861, filed on Mar. 20, 1998, provisional application No. 60/068,792, filed on Dec. 24, 1997, provisional application No. 60/071,281, filed on Dec. 17, 1997.

(51) **Int. Cl.**
H05B 37/00 (2006.01)

(52) **U.S. Cl.** **362/234; 362/253; 315/295; 315/316; 315/324**

(58) **Field of Classification Search** 315/219, 315/224, 209 R, 292, 295; 362/234, 253; 359/290, 291, 292, 293, 297, 298, 299
See application file for complete search history.

(56) **References Cited**

U.S. PATENT DOCUMENTS

1,603,055 A 10/1926 Williams

(Continued)

FOREIGN PATENT DOCUMENTS

AU 6 267 9 12/1996

(Continued)

OTHER PUBLICATIONS

Hewlett Packard Components, "Solid State Display and Optoelectronics Designer's Catalog," pp. 30-43, Jul. 1973.

(Continued)

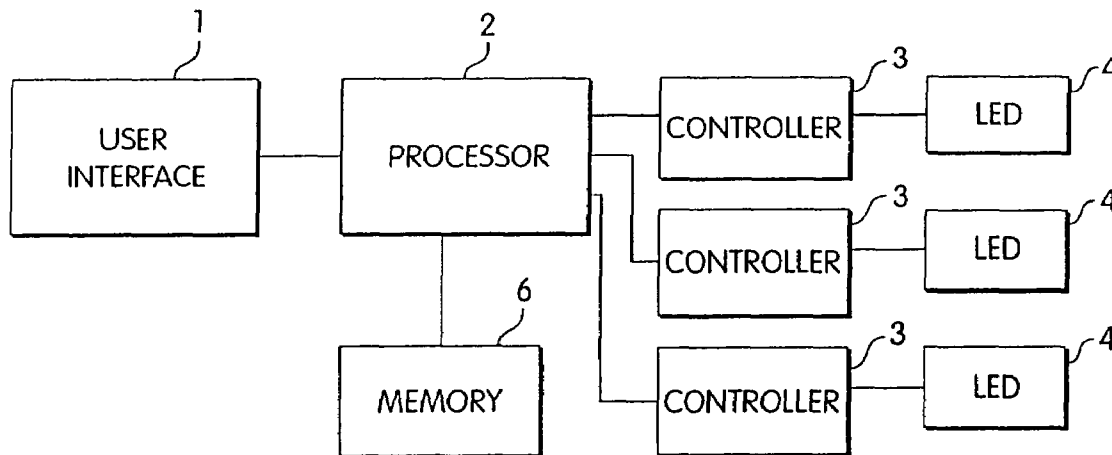
Primary Examiner—David Vu

(74) *Attorney, Agent, or Firm*—Wolf, Greenfield & Sacks, P.C.

(57) **ABSTRACT**

High-brightness LEDs, combined with a processor for control, can produce a variety of pleasing effects for display and illumination. A system disclosed herein uses high-brightness, processor-controlled LEDs in combination with diffuse materials to produce color-changing effects. The systems described herein may be usefully employed to bring autonomous color-changing ability and effects to a variety of consumer products and other household items. The system may also include sensors so that the illumination of the LEDs might change in response to environmental conditions or a user input. Additionally, the system may include an interface to a network, so that the illumination of the LEDs may be controlled via the network.

57 Claims, 24 Drawing Sheets



Related U.S. Application Data

continuation of application No. 09/213,548, filed on Dec. 17, 1998, now Pat. No. 6,166,496, and a continuation-in-part of application No. 09/669,121, filed on Sep. 25, 2000, now Pat. No. 6,806,659, which is a continuation of application No. 09/425,770, filed on Oct. 22, 1999, now Pat. No. 6,150,774, which is a continuation of application No. 08/920,156, filed on Aug. 26, 1997, now Pat. No. 6,016,038, and a continuation-in-part of application No. 09/626,905, filed on Jul. 27, 2000, now Pat. No. 6,340,868, and a continuation-in-part of application No. 09/344,699, filed on Jun. 25, 1999, and a continuation-in-part of application No. 09/333,739, filed on Jun. 15, 1999, and a continuation-in-part of application No. 09/215,624, filed on Dec. 17, 1998, now Pat. No. 6,528,954, and a continuation-in-part of application No. 09/213,659, filed on Dec. 17, 1998, now Pat. No. 6,211,626, and a continuation-in-part of application No. 09/213,607, filed on Dec. 17, 1998, now abandoned, and a continuation-in-part of application No. 09/213,581, filed on Dec. 17, 1998, now Pat. No. 7,038,398, and a continuation-in-part of application No. 09/213,537, filed on Dec. 17, 1998, now Pat. No. 6,292,901, and a continuation-in-part of application No. 09/213,540, filed on Dec. 17, 1998, now Pat. No. 6,720,745, which is a continuation-in-part of application No. 09/213,189, filed on Dec. 17, 1998, now abandoned.

4,009,381	A	2/1977	Schreiber et al.
4,054,814	A	10/1977	Fegley et al.
4,070,568	A	1/1978	Gala
4,076,976	A	2/1978	Fenton
4,082,395	A	4/1978	Donato et al.
4,096,349	A	6/1978	Donato
4,096,552	A	6/1978	Ben-Porat
4,151,547	A	4/1979	Rhoades et al.
4,158,922	A	6/1979	Dana, III
4,179,182	A	12/1979	Smith
4,186,425	A	1/1980	Nadimi
4,237,525	A	12/1980	Deter
4,241,295	A	12/1980	Williams, Jr.
4,267,559	A	5/1981	Johnson et al.
4,271,408	A	6/1981	Teshima et al.
4,271,457	A	6/1981	Martin
4,272,689	A	6/1981	Crosby et al.
4,273,999	A	6/1981	Pierpoint
4,296,459	A	10/1981	DeLuca
4,298,869	A	11/1981	Okuno
4,309,743	A	1/1982	Martin
4,317,071	A	2/1982	Murad
4,329,625	A	5/1982	Nishizawa et al.
4,339,788	A	7/1982	White et al.
4,342,906	A	8/1982	Hyatt
4,342,947	A	8/1982	Bloyd
4,367,464	A	1/1983	Kurahashi et al.
4,388,567	A	6/1983	Yamazaki et al.
4,388,589	A	6/1983	Molldrem, Jr.
4,392,187	A	7/1983	Bornhorst
4,394,600	A	7/1983	Flannagan
4,420,711	A	12/1983	Takahashi et al.
4,455,562	A	6/1984	Dolan et al.
4,459,645	A	7/1984	Glatter
4,470,044	A	9/1984	Bell
4,500,796	A	2/1985	Quin
4,597,033	A	6/1986	Meggs et al.
4,605,882	A	8/1986	DeLuca
4,622,881	A	11/1986	Rand
4,625,152	A	11/1986	Nakai
4,635,052	A	1/1987	Aoike et al.
4,647,217	A	3/1987	Havel
4,654,629	A	3/1987	Bezos et al.
4,654,754	A	3/1987	Daszkowski
4,656,398	A	4/1987	Michael et al.
4,668,895	A	5/1987	Schneiter
4,675,575	A	6/1987	Smith et al.
4,682,079	A	7/1987	Sanders et al.
4,686,425	A	8/1987	Havel
4,687,340	A	8/1987	Havel
4,688,154	A	8/1987	Nilssen
4,688,869	A	8/1987	Kelly
4,695,769	A	9/1987	Schweickardt
4,701,669	A	10/1987	Head et al.
4,705,406	A	11/1987	Havel
4,707,141	A	11/1987	Havel
4,719,544	A	1/1988	Smith
4,727,289	A	2/1988	Uchida
4,729,076	A	3/1988	Masami et al.
4,740,882	A	4/1988	Miller
4,753,148	A	6/1988	Johnson
4,771,274	A	9/1988	Havel
4,777,408	A	10/1988	DeLuca
4,779,172	A	10/1988	Jimenez et al.
4,780,621	A	10/1988	Bartleucci et al.
4,794,383	A	12/1988	Havel
4,802,070	A	1/1989	Westmoland
4,818,072	A	4/1989	Mohebban
4,824,269	A	4/1989	Havel
4,833,542	A	5/1989	Hara et al.
4,837,565	A	6/1989	White
4,843,627	A	6/1989	Stebbins
4,845,481	A	7/1989	Havel

(56)

References Cited

U.S. PATENT DOCUMENTS

2,591,650	A	4/1952	Williams
2,642,553	A	6/1953	Williams
2,644,912	A	7/1953	Williams
2,651,743	A	9/1953	Williams
2,657,338	A	10/1953	Williams
2,673,923	A	3/1954	Williams
2,686,866	A	8/1954	Williams
2,909,097	A	10/1959	Alden et al.
3,037,110	A	5/1962	Williams
3,318,185	A	5/1967	Kott
3,383,503	A	5/1968	Montgomery
3,561,719	A	2/1971	Grindle
3,586,936	A	6/1971	McLeroy
3,595,991	A	7/1971	Diller
3,601,621	A	8/1971	Ritchie
3,624,384	A	11/1971	Ledingham et al.
3,643,088	A	2/1972	Osteen et al.
3,689,758	A	9/1972	Power
3,737,647	A	6/1973	Gomi
3,740,570	A	6/1973	Kaelin et al.
3,746,918	A	7/1973	Drucker et al.
3,760,174	A	9/1973	Boenning et al.
3,787,752	A	1/1974	Delay
3,805,047	A	4/1974	Dockstader
3,814,926	A	6/1974	Frasca
3,818,216	A	6/1974	Larraburu
3,832,503	A	8/1974	Crane
3,858,086	A	12/1974	Anderson et al.
3,866,035	A	2/1975	Richey, Jr.
3,901,121	A	8/1975	Kleiner
3,909,670	A	9/1975	Wakamatsu et al.
3,924,120	A	12/1975	Cox, III
3,942,065	A	3/1976	Russ
3,949,350	A	4/1976	Smith
3,958,885	A	5/1976	Stockinger et al.
3,974,637	A	8/1976	Bergey et al.
4,001,571	A	1/1977	Martin

US 7,186,003 B2

4,845,745 A	7/1989	Havel	5,329,431 A	7/1994	Taylor et al.
4,848,009 A	7/1989	Rodgers	5,350,977 A	9/1994	Hamamoto et al.
4,857,801 A	8/1989	Farrei	5,357,170 A	10/1994	Luchaco et al.
4,863,223 A	9/1989	Weissenbach et al.	5,365,084 A	11/1994	Cochran et al.
4,870,325 A	9/1989	Kazar	5,371,618 A	12/1994	Tai et al.
4,874,320 A	10/1989	Freed et al.	5,374,876 A	12/1994	Horibata et al.
4,887,074 A	12/1989	Simon et al.	5,375,043 A	12/1994	Tokunaga
4,922,154 A	5/1990	Cacoub	5,381,074 A	1/1995	Rudzewicz et al.
4,929,866 A	5/1990	Murata et al.	5,386,351 A	1/1995	Tabor
4,930,052 A	5/1990	Beige	5,388,357 A	2/1995	Malita
4,934,852 A	6/1990	Havel	5,400,228 A	3/1995	Kao
4,935,665 A	6/1990	Murata	5,402,702 A	4/1995	Hata
4,947,291 A	8/1990	McDermott	5,404,282 A	4/1995	Klinke et al.
4,957,291 A	9/1990	Miffitt et al.	5,406,176 A	4/1995	Sugden
4,962,687 A	10/1990	Belliveau et al.	5,408,764 A	4/1995	Wut
4,965,561 A	10/1990	Havel	5,410,328 A	4/1995	Yoksza et al.
4,973,835 A	11/1990	Kurosu et al.	5,412,284 A	5/1995	Moore et al.
4,974,119 A	11/1990	Martin	5,412,552 A	5/1995	Fernandes
4,979,081 A	12/1990	Leach et al.	5,418,697 A	5/1995	Chiou
4,980,806 A	12/1990	Taylor et al.	5,420,482 A	5/1995	Phares
4,992,704 A	2/1991	Stinson	5,421,059 A	6/1995	Leffers, Jr.
5,003,227 A	3/1991	Nilssen	5,432,408 A	7/1995	Matsuda et al.
5,008,595 A	4/1991	Kazar	5,436,535 A	7/1995	Yang
5,008,788 A	4/1991	Palinkas	5,436,853 A	7/1995	Shimohara
5,010,459 A	4/1991	Taylor et al.	5,437,437 A	8/1995	Takano et al.
5,018,053 A	5/1991	Belknap et al.	5,450,301 A	9/1995	Waltz et al.
5,027,262 A	6/1991	Freed	5,461,188 A	10/1995	Drago et al.
5,034,807 A	7/1991	Von Kohorn	5,463,280 A	10/1995	Johnson
5,036,248 A	7/1991	McEwan et al.	5,465,144 A	11/1995	Parker et al.
5,038,255 A	8/1991	Nishihashi et al.	5,471,052 A	11/1995	Ryczek
5,054,778 A	10/1991	Maleyko	5,475,300 A	12/1995	Havel
5,072,216 A	12/1991	Grange	5,475,368 A	12/1995	Collins
5,078,039 A	1/1992	Tulk et al.	5,477,433 A	12/1995	Ohlund
5,083,063 A	1/1992	Brooks	5,489,827 A	2/1996	Xia
5,089,748 A	2/1992	Ihms	5,491,402 A	2/1996	Small
5,117,338 A	5/1992	McCrary	5,493,183 A	2/1996	Kimball
5,122,733 A	6/1992	Havel	5,497,307 A	3/1996	Bae et al.
5,126,634 A	6/1992	Johnson	5,504,395 A	4/1996	Johnson et al.
5,128,595 A	7/1992	Hara	5,504,664 A	4/1996	Ostema
5,130,909 A	7/1992	Gross	5,519,496 A	5/1996	Borgert et al.
5,134,387 A	7/1992	Smith et al.	5,519,591 A	5/1996	McCrary
5,136,483 A	8/1992	Schöniger et al.	5,521,708 A	5/1996	Beretta
5,142,199 A	8/1992	Elwell	5,528,474 A	6/1996	Roney et al.
5,143,442 A	9/1992	Ishikawa et al.	5,530,322 A	6/1996	Ference et al.
5,154,641 A	10/1992	McLaughlin	5,532,848 A	7/1996	Beretta
5,161,879 A	11/1992	McDermott	5,541,817 A	7/1996	Hung
5,164,715 A	11/1992	Kashiwabara et al.	5,545,950 A	8/1996	Cho
5,165,778 A	11/1992	Matthias et al.	5,559,681 A	9/1996	Duarte
5,173,839 A	12/1992	Metz, Jr.	5,561,346 A	10/1996	Byrne
5,184,114 A	2/1993	Brown	5,567,037 A	10/1996	Ferber
5,187,655 A	2/1993	Post et al. 700/17	5,575,459 A	11/1996	Anderson
5,194,854 A	3/1993	Havel	5,575,554 A	11/1996	Guritz
5,201,578 A	4/1993	Westmoland	5,577,832 A	11/1996	Lodhie
5,209,560 A	5/1993	Taylor et al.	5,583,349 A	12/1996	Norman et al.
5,225,765 A	7/1993	Callahan et al.	5,583,350 A	12/1996	Norman et al.
5,226,723 A	7/1993	Chen	5,592,051 A	1/1997	Korkala
5,228,686 A	7/1993	Maleyko	5,607,227 A	3/1997	Yasumoto et al.
5,235,347 A	8/1993	Lee	5,614,788 A	3/1997	Mullins et al.
5,253,149 A	10/1993	Ostema et al.	5,621,282 A	4/1997	Haskell
5,254,910 A	10/1993	Yang	5,621,603 A	4/1997	Adamec et al.
5,256,948 A	10/1993	Boldin et al.	5,634,711 A	6/1997	Kennedy et al.
5,262,658 A	11/1993	Jankowski	5,636,303 A	6/1997	Che et al.
5,268,828 A	12/1993	Miura	5,640,061 A	6/1997	Bornhorst et al.
5,278,542 A	1/1994	Smith et al.	5,642,129 A	6/1997	Zavracky et al.
5,279,513 A	1/1994	Connelly	5,653,529 A	8/1997	Spocharski
5,282,121 A	1/1994	Bornhorst et al.	5,653,530 A	8/1997	Pittman
5,283,517 A	2/1994	Havel	5,655,830 A	8/1997	Ruskouski
5,287,352 A	2/1994	Jackson et al.	5,656,935 A	8/1997	Havel
5,294,865 A	3/1994	Haraden	5,671,996 A	9/1997	Bos et al.
5,298,871 A	3/1994	Shimohara	5,673,059 A	9/1997	Zavracky et al.
5,301,090 A	4/1994	Hed	5,684,309 A	11/1997	McIntosh et al.
5,307,295 A	4/1994	Taylor et al.	5,688,042 A	11/1997	Madadi et al.
5,323,300 A	6/1994	McCrary	5,701,058 A	12/1997	Roth

5,712,650 A	1/1998	Barlow	6,132,072 A	10/2000	Turnbull et al.
5,721,471 A	2/1998	Begemann et al.	6,135,604 A	10/2000	Lin
5,726,535 A	3/1998	Yan	6,139,172 A	10/2000	Bos et al.
5,730,013 A	3/1998	Huang	6,149,283 A	11/2000	Conway et al.
5,734,590 A	3/1998	Tebbe	6,150,771 A	11/2000	Perry
5,751,118 A	5/1998	Mortimer	6,150,774 A	11/2000	Mueller et al.
5,752,766 A	5/1998	Bailey et al.	6,161,910 A	12/2000	Reisenauer et al.
5,769,527 A	6/1998	Taylor et al.	6,166,496 A	12/2000	Lys et al.
5,782,555 A	7/1998	Hochstein	6,168,288 B1	1/2001	St. Claire
5,790,329 A	8/1998	Klaus et al.	6,175,342 B1	1/2001	Nicholson et al.
5,791,965 A	8/1998	Kim	6,181,126 B1	1/2001	Havel
5,803,579 A	9/1998	Turnbull et al.	6,183,086 B1	2/2001	Neubert
5,808,592 A	9/1998	Mizutani et al.	6,183,104 B1	2/2001	Ferrara
5,808,689 A	9/1998	Small	6,183,108 B1	2/2001	Herold
5,812,105 A	9/1998	Van de Ven	6,184,628 B1	2/2001	Ruthenberg
5,821,695 A	10/1998	Vilaniyam et al.	6,188,181 B1	2/2001	Sinha et al.
5,831,686 A	11/1998	Beretta	6,190,018 B1	2/2001	Parsons et al.
5,836,676 A	11/1998	Ando et al.	6,196,471 B1	3/2001	Ruthenberg
5,838,247 A	11/1998	Bladowski	6,211,626 B1	4/2001	Lys et al.
5,848,837 A	12/1998	Gustafson	6,215,409 B1	4/2001	Blach
5,850,126 A	12/1998	Kanbar	6,220,722 B1	4/2001	Begemann
5,851,063 A	12/1998	Doughty et al.	6,227,679 B1	5/2001	Zhang et al.
5,852,658 A	12/1998	Knight et al.	6,233,971 B1	5/2001	Ohlund
5,854,542 A	12/1998	Forbes	6,250,774 B1	6/2001	Begemann et al.
RE36,030 E	1/1999	Nadeau	6,252,358 B1	6/2001	Xydis et al.
5,857,767 A	1/1999	Hochstein	6,273,338 B1	8/2001	White
5,859,508 A	1/1999	Ge et al.	6,273,589 B1	8/2001	Weber et al.
5,876,109 A	3/1999	Scalco	6,292,901 B1	9/2001	Lys et al.
5,893,631 A	4/1999	Padden	6,296,364 B1	10/2001	Day et al.
5,894,196 A	4/1999	McDermott	6,299,329 B1	10/2001	Mui et al.
5,895,986 A	4/1999	Walters et al.	6,299,338 B1	10/2001	Levinson et al.
5,896,010 A	4/1999	Mikolajczak et al.	6,310,590 B1	10/2001	Havel
5,902,166 A	5/1999	Robb	6,323,832 B1	11/2001	Nishizawa et al.
5,907,742 A	5/1999	Johnson et al.	6,329,764 B1	12/2001	van de Ven
5,912,653 A	6/1999	Fitch	6,330,111 B1	12/2001	Myers
5,921,652 A	7/1999	Parker et al.	6,331,915 B1	12/2001	Myers
5,924,784 A	7/1999	Chliwnyj et al.	6,335,548 B1	1/2002	Roberts
5,927,845 A	7/1999	Gustafson et al.	6,340,868 B1	1/2002	Lys et al.
5,938,321 A	8/1999	Bos et al.	6,357,893 B1	3/2002	Belliveau
5,946,209 A	8/1999	Eckel et al.	6,361,198 B1	3/2002	Reed
5,949,581 A	9/1999	Kurtenbach et al.	6,379,025 B1	4/2002	Mateescu et al.
5,952,680 A	9/1999	Strite	6,441,943 B1	8/2002	Roberts
5,959,547 A	9/1999	Tubel et al.	6,445,139 B1	9/2002	Marshall et al.
5,961,201 A	10/1999	Gismondi	6,448,550 B1	9/2002	Nishimura
5,963,185 A	10/1999	Havel	6,459,919 B1	10/2002	Lys et al.
5,974,553 A	10/1999	Gandar	6,474,837 B1	11/2002	Belliveau
5,975,717 A	11/1999	Rahman	6,495,964 B1	12/2002	Muthu et al.
5,980,064 A	11/1999	Metroyanis	6,498,355 B1	12/2002	Harrah et al.
6,002,216 A	12/1999	Mateescu	6,504,301 B1	1/2003	Lowery
6,008,783 A	12/1999	Kitagawa et al.	6,568,834 B1	5/2003	Scianna
6,016,038 A	1/2000	Mueller et al.	6,577,287 B2	6/2003	Havel
6,018,237 A	1/2000	Havel	6,618,031 B1	9/2003	Bohn
6,020,825 A	2/2000	Chansky et al.	6,676,284 B1	1/2004	Wynne Willson
6,023,255 A	2/2000	Bell	6,726,350 B1	4/2004	Herold
6,025,550 A	2/2000	Kato	6,744,223 B2	6/2004	LaFlamme
6,031,343 A	2/2000	Recknagel et al.	6,787,999 B2	9/2004	Stimac et al.
6,050,695 A	4/2000	Fromm	6,811,286 B2	11/2004	Mateescu et al.
6,056,420 A	5/2000	Wilson et al.	2001/0021109 A1	9/2001	Schleifer
6,068,383 A	5/2000	Robertson et al.	2001/0033488 A1	10/2001	Chliwnyj et al.
6,069,597 A	5/2000	Hansen	2002/0047624 A1	4/2002	Stam et al.
6,072,280 A	6/2000	Allen	2003/0107887 A1	6/2003	Eberl
6,086,222 A	7/2000	Juba et al.	2003/0189412 A1	10/2003	Cunningham
6,092,905 A	7/2000	Koehn	2004/0066652 A1	4/2004	Hong
6,095,661 A	8/2000	Lebens et al.	2004/0218387 A1	11/2004	Gerlach
6,097,352 A	8/2000	Zavracky et al.	2005/0122064 A1	6/2005	Chevalier et al.
6,099,185 A	8/2000	Huang et al.	2005/0122292 A1	6/2005	Schmitz et al.
6,100,913 A	8/2000	Aikoh et al.	2005/0122718 A1	6/2005	Kazar et al.
6,111,705 A	8/2000	Rohlfing	2005/0128743 A1	6/2005	Chuey et al.
6,116,748 A	9/2000	George			
6,116,751 A	9/2000	Remp			
6,121,944 A	9/2000	Havel			
6,122,933 A	9/2000	Ohlund			
6,127,783 A	10/2000	Pashley et al.			
			CA	2 178 432	12/1996
			CA	2134848	11/1998

FOREIGN PATENT DOCUMENTS

DE	2315709	10/1974
DE	205307	12/1983
DE	3438154 A1	4/1986
DE	03837313	5/1989
DE	03805998	9/1989
DE	3925767 A1	4/1990
DE	8902905	5/1990
DE	3917101	11/1990
DE	3916875	12/1990
DE	4041338 A1	7/1992
DE	4130576 C1	3/1993
DE	9414688 U1	2/1995
DE	9414689	2/1995
DE	4419006 A1	12/1995
DE	29607270 U1	8/1996
DE	19525897	10/1996
DE	29620583 U1	3/1997
DE	19651140 A1	6/1997
DE	19602891 A1	7/1997
DE	19602891 A1	8/1997
EP	390479	3/1990
EP	507366	3/1992
EP	482680 A1	4/1992
EP	0495305 A2	7/1992
EP	567280 B1	10/1993
EP	629508	6/1994
EP	0534710 B1	1/1996
EP	734082 A2	9/1996
EP	0752632 A2	1/1997
EP	0752632 A3	8/1997
EP	0823812 A2	2/1998
EP	876085	4/1998
EP	0935234 A1	8/1999
EP	0942631 A2	9/1999
EP	1020352 A2	7/2000
EP	1113215 A2	7/2001
EP	1162400 A2	12/2001
FR	2586844 A1	3/1987
FR	2 640 791	6/1990
FR	88 17359	12/1998
GB	238327	8/1925
GB	238997	9/1925
GB	271212	5/1927
GB	296884	9/1928
GB	296885	9/1928
GB	325218	2/1930
GB	368113	3/1932
GB	376744	7/1932
GB	411868	6/1934
GB	412217	6/1934
GB	438884	11/1935
GB	441461	1/1936
GB	480126	2/1938
GB	481167	3/1938
GB	640693	9/1950
GB	646642	11/1950
GB	661083	11/1951
GB	685209	12/1952
GB	686746	1/1953
GB	712050	7/1954
GB	718535	11/1954
GB	942630	11/1963
GB	2045098 A	10/1980
GB	2131589 A	11/1982
GB	2 135 536 A	8/1984
GB	2176042 A	12/1986
GB	2210720 A	6/1989
GB	2 242 364 A	10/1991
GB	2 244 358 A	11/1991
JP	01031240 A	2/1989
JP	2247688	3/1990
JP	2-269939	11/1990
JP	03045166	2/1991

JP	04-015685	1/1992
JP	4-39235	6/1992
JP	5-73807	10/1993
JP	6 43830	2/1994
JP	06043830	2/1994
JP	6 275105 A2	9/1994
JP	6334223	12/1994
JP	07020711 A	1/1995
JP	7-39120	7/1995
JP	7275200	10/1995
JP	8-106264	4/1996
JP	9139289	5/1997
JP	9152840	6/1997
JP	9269746	10/1997
JP	9 320766	12/1997
JP	10-071951	3/1998
JP	10302514	11/1998
JP	2001-153690	6/2001
KR	1019910009812	11/1991
WO	WO 89/05086	6/1989
WO	WO 94/18809	8/1994
WO	WO 95/13498	5/1995
WO	96/11499	4/1996
WO	WO 96/41098	12/1996
WO	WO 97/48138	12/1997
WO	WO 99/06759	2/1999
WO	WO 99/30537 A1	6/1999
WO	WO 01/73818 A1	10/2001
WO	WO 02/061328 A1	8/2002

OTHER PUBLICATIONS

INTEC Research, TRACKSPOT, <http://www.intec-research.com/trackspot.htm>, pp. 1-4, Apr. 24, 2003.

SHARP, Optoelectronics Data Book, pp. 1096-1097, 1994/1995.

About DMX-512 Lighting Protocol—Pangolin Laser Systems, pp. 1-4, Apr. 7, 2003.

Avitec Licht Design '89-90, pp. 1-4.

Dr. Ing, Ulrich Tietze, Dr. Ing, Christoph Schenk, pp. 566-569.

Furry, Kevin and Somerville, Chuck, Affidavit, LED effects, Feb. 22, 2002, pp. 24-29.

Putman, Peter H., "The Allure of LED," www.sromagazine.biz, Jun./Jul. 2002, pp. 47-52.

Bremer, Darlene, "LED Advancements Increase Potential," www.ecmag.com, Apr. 2002, p. 115.

Longo, Linda, "LEDS Lead the Way," Home Lighting & Accessories, Jun. 2002, pp. 226-234.

"LM117/LM317A/LM317 3-Terminal Adjustable Regulator", National Semiconductor Corporation, May 1997, pp. 1-20.

"DS96177 RS-485 / RS-422 Differential Bus Repeater", National Semiconductor Corporation, Feb. 1996, pp. 1-8.

"DS2003 / DA9667 / DS2004 High Current / Voltage Darlington Drivers", National Semiconductor Corporation, Dec. 1995, pp. 1-8.

"LM140A / LM140 / LM340A / LM7800C Series 3—Terminal Positive Regulators", National Semiconductor Corporation, Jan. 1995, pp. 1-14.

High End Systems, Inc., Trackspot User Manual, Aug. 1997, Excerpts (Cover, Title page, pp. ii through iii and 2-13 through 2-14).

Artistic License, AL4000 DMX512 Processors, Revision 3.4, Jun. 2000, Excerpts (Cover, pp. 7,92 through 102).

Artistic License, Miscellaneous Drawings (3 sheets) Jan. 12, 1995.

Artistic License, Miscellaneous Documents (2 sheets Feb. 1995 and Apr. 1996).

- Newnes's Dictionary of Electronics, Fourth Edition, S.W. Amos, et al., Preface to First Edition, pp. 278-279.
"http://www.luminus.cx/projects/chaser", (Nov. 13, 2000), pp. 1-16.
- Co-Pending U.S. Appl. No. 09/971,367, filed Oct. 4, 2001, entitled "Multicolored LED Lighting Method and Apparatus,".
- Case No. 6:02-cv-270-ORL-19JGG in the United States District Court, Middle District of Florida, Orlando Division, Plaintiff's Amended Verified Complaint.
- Case No. 6:02-cv-270-ORL-19JGG in the United States District Court, Middle District of Florida, Orlando Division, Defendant's Answer and Counterclaims.
- Case No. 6:02-cv-270-ORL-19JGG in the United States District Court, Middle District of Florida, Orlando Division, Plaintiff's Answer to Counterclaims.
- Case No. 6:02-cv-270-ORL-19JGG in the United States District Court, Middle District of Florida, Orlando Division, Plaintiff's Answers to Defendant's First Set of Interrogatories w/Exhibit 1.
- Case No. 02 CV 11137MEL in the United States District Court, District of Massachusetts, Plaintiff's Complaint and Jury Demand.
- Case No. 02 CV 11137MEL in the United States District Court, District of Massachusetts, Defendant's Answer and Affirmative Defenses.
- Schlig, Eugene S., "Electrothermal Considerations in Display Applications of Light-Emitting Diodes," *IEEE Transactions on Electron Devices*, vol. ED-19, No. 7, Jul. 1982, pp. 847-851.
- Asai, S. et al., "Heat Conductive Wire Matrix Board for Light Emitting Diode (LED) Dot Matrix Display," *Circuit World*, vol. 21, No. 4, 1995, pp. 27-31.
- "Cree Research, Inc. Announces Fiscal 1994 Results," *PR Newswire*, Jul. 28, 1994, pp. 1-2.
- "Cree Research, Inc. Announces Acquisition of Full-Color LED Display Company," *PR Newswire*, Aug. 9, 1994, pp. 1-2.
- Mishiko, Yashuhiro, et al., "Large-Scale Color LED Display System," *National Technical Report*, vol. 33, No. 1, Feb. 1987, pp. 94-101.
- Miyoshi, Morimasa et al., "Large-Scale Color LED Stock-Information Display Board," *National Technical Report*, vol. 33, No. 1, Feb. 1987, pp. 102-107.
- Motozono, Takefumi et al., "LED Display Devices," *National Technical Report*, vol. 28, No. 1, Feb. 1982, pp. 74-82.
- Tsujikado, Kazumi et al., "Large-Scale LED Display System," *National Technical Report*, vol. 42, No. 3, Jun. 1996, pp. 18-25.
- Shibata, Kazuhisa, "Improvements in Multicolored LEDs May be Practical Display Alternative," *JEE*, Aug. 1985, pp. 60-62.
- Murata, Kazuhisa, "Developers Continue to Refine Blue LED Technologies for Display Use," *Display Devices*, 1992, serial No. 6, pp. 46-50.
- Koga, Kazuyuki et al., "RGB Multi-Color LED DOT-Matrix Unites and Their Application to Large-Size Flat Displays," *Optoelectronics—Devices and Technologies*, vol. 7, No. 2, pp. 221-229, Dec. 1992.
- Murata, Kazuhisa, "SiC Brightens Blues for Full-Color LED Display Units," *JEE*, Nov. 1993, pp. 59-65.
- Lerner, Eric. J., "Laser Diodes and LEDs Light Optoelectronic Devices," *Laser Focus World*, Feb. 1997, pp. 109-117.
- Martin, David, et al., "Material Advances Light Full-Color LED Displays," *Laser Focus World*, Mar. 1997, pp. 119-124.
- LEDtronics, Inc., LEDtronics Press Releases, "Conversion to LED System Provides Safe, Cost-Effective Lighting for Safelight Manufacturing," and "Ultra-Bright LED Replacements Offered for Industrial Control, Motor Control, Pilot Lights," Jun. 30, 1997.
- Color Kinetics Incorporated v. Super Vision International, Inc.*, "Declaration of Wayne Howell in Opposition to Color Kinetics's Motions for Summary Judgment Against Super Vision International, Inc.," United States District Court, District of Massachusetts, Case No. 02 CV 11137 MEL.
- Color Kinetics Incorporated v. Super Vision International, Inc.*, "Declaration of Jerry Laidman in Opposition to Color Kinetics, Inc.'s Motion for Summary Judgment Against Super Vision International, Inc.," United States District Court, District of Massachusetts, Case No. 02 CV 11137 MEL.
- Color Kinetics Incorporated v. Super Vision International, Inc.*, "Affidavit of Alfred D. Ducharme," United States District Court, District of Massachusetts, Case No. 02 CV 11137 MEL.
- Color Kinetics Incorporated v. Super Vision International, Inc.*, "Declaration of Clive Mitchell in Opposition of Color Kinetics Inc.'s Motion for Summary Judgment Against Super Vision International, Inc.," United States District Court, District of Massachusetts, Case No. 02 CV 11137 MEL.
- Color Kinetics Incorporated v. Super Vision International, Inc.*, "Declaration of Bruce Hagopian in Support of Super Vision International, Inc.'s Motion for Summary Judgment Against Color Kinetics, Inc.," United States District Court, District of Massachusetts, Case No. 02 CV 11137 MEL.
- Color Kinetics Incorporated v. Super Vision International, Inc.*, "Declaration of William Little in Opposition to Color Kinetics's Motions for Summary Judgment Against Super Vision International, Inc.," United States District Court, District of Massachusetts, Case No. 02 CV 11137 MEL.
- Color Kinetics Incorporated v. Super Vision International, Inc.*, "Super Vision International, Inc.'s Notice of Filing Declaration of Brent W. Brown," United States District Court, District of Massachusetts, Case No. 02 CV 11137 MEL.
- Color Kinetics Incorporated v. Super Vision International, Inc.*, "Super Vision International, Inc.'s Notice of Filing Amended Declaration of George G. Izenour," United States District Court, District of Massachusetts, Case No. 02 CV 11137 MEL.
- Color Kinetics Incorporated v. Super Vision International, Inc.*, "Super Vision International, Inc.'s Notice of Filing Declaration of Paul A. Miller," United States District Court, District of Massachusetts, Case No. 02 CV 11137 MEL.
- Color Kinetics Incorporated v. Super Vision International, Inc.*, "Declaration of Brett Kingstone in Opposition to Color Kinetic's Motion for Summary Judgment Against Super Vision International, Inc.," United States District Court, District of Massachusetts, Case No. 02 CV 11137 MEL.
- Proctor, P., "Bright Lights, Big Reliability," *Aviation Week and Space Technology*, Sep. 5, 1994, vol. 141, No. 10, p. 29, Abstract Only.
- Pollack, A., "The Little Light Light That Could," *The New York Times*, Apr. 29, 1996, Business/Financial Desk, Section D, p. 1, col. 2, Abstract Only.

- Chinnock, C., "Blue Laser, Bright Future," *Byte*, Aug. 1995, vol. 20, Abstract Only.
- Electronics*, vol. 67, No. 20, pp. A4, Abstract Only.
- Color Kinetics v. Super Vision International, Inc.*, "Super Vision International, Inc.'s Notice of Filing Declaration of Steve Faber," United States District Court, District of Massachusetts, Case No. 02 CV 11137 MEL.
- Color Kinetics v. Super Vision International, Inc.*, "Super Vision International, Inc.'s Notice of Filing Declaration of Russell Martin," United States District Court, District of Massachusetts, Case No. 02 CV 11137 MEL.
- Color Kinetics v. Super Vision International, Inc.*, "Super Vision International, Inc.'s Notice of Filing Declaration of Tam Bailey," United States District Court, District of Massachusetts, Case No. 02 CV 11137 MEL.
- Color Kinetics v. Super Vision International, Inc.*, "Super Vision International, Inc.'s Notice of Filing Declaration of Peter Micha," United States District Court, District of Massachusetts, Case No. 02 CV 11137 MEL.
- Color Kinetics v. Super Vision International, Inc.*, "Super Vision International, Inc.'s Notice of Filing Declaration of Brett Kingstone Part I," United States District Court, District of Massachusetts, Case No. 02 CV 11137 MEL.
- Color Kinetics v. Super Vision International, Inc.*, "Super Vision International, Inc.'s Notice of Filing Declaration of Brett Kingstone Part II," United States District Court, District of Massachusetts, Case No. 02 CV 11137 MEL.
- Color Kinetics v. Super Vision International, Inc.*, "Super Vision International, Inc.'s Notice of Filing Declaration of Brett Kingstone Part III," United States District Court, District of Massachusetts, Case No. 02 CV 11137 MEL.
- Color Kinetics v. Super Vision International, Inc.*, "Super Vision International, Inc.'s Notice of Filing Declaration of Brett Kingstone Part IV," United States District Court, District of Massachusetts, Case No. 02 CV 11137 MEL.
- Color Kinetics v. Super Vision International, Inc.*, "Super Vision International, Inc.'s Notice of Filing Declaration of Brett Kingstone Part V," United States District Court, District of Massachusetts, Case No. 02 CV 11137 MEL.
- Color Kinetics v. Super Vision International, Inc.*, "Super Vision International, Inc.'s Notice of Filing Declaration of Brett Kingstone Part VII," United States District Court, District of Massachusetts, Case No. 02 CV 11137 MEL.
- Color Kinetics v. Super Vision International, Inc.*, "Super Vision International, Inc.'s Notice of Filing Declaration of Brett Kingstone Part VIII," United States District Court, District of Massachusetts, Case No. 02 CV 11137 MEL.
- Color Kinetics v. Super Vision International, Inc.*, "Super Vision International, Inc.'s Notice of Filing Declaration of Brett Kingstone Part IX," United States District Court, District of Massachusetts, Case No. 02 CV 11137 MEL.
- Color Kinetics v. Super Vision International, Inc.*, "Super Vision International, Inc.'s Notice of Filing Declaration of Brett Kingstone Part X," United States District Court, District of Massachusetts, Case No. 02 CV 11137 MEL.
- Color Kinetics v. Super Vision International, Inc.*, "Super Vision International, Inc.'s Notice of Filing Declaration of Brett Kingstone Part XI," United States District Court, District of Massachusetts, Case No. 02 CV 11137 MEL.
- United States District Court District of Massachusetts, Case No. 02 CV 11137 MEL, *Color Kinetics Incorporated v. Super Vision International, Inc.*, "Expert Witness Rebuttal Report of Dr. David I. Kennedy Prepared and Submitted on Behalf of Super Vision International, Inc."
- United States District Court District of Massachusetts, Case No. 02 CV 11137 MEL, *Color Kinetics Incorporated v. Super Vision International, Inc.*, "Super Vision International, Inc.'s Motion for Summary Judgment Against Color Kinetics, Inc."
- United States District Court District of Massachusetts, Case No. 02 CV 11137 MEL, *Color Kinetics Incorporated v. Super Vision International, Inc.*, "Color Kinetics' Memorandum in Support of its Motion for Summary Judgment on the Issue of Infringement".
- United States District Court District of Massachusetts, Case No. 02 CV 11137 MEL, *Color Kinetics Incorporated v. Super Vision International, Inc.*, "Color Kinetics' Memorandum in Support of its Motion for Summary Judgment on the Issue of Invalidity".
- United States District Court District of Massachusetts, Case No. 02 CV 11137 MEL, *Color Kinetics Incorporated v. Super Vision International, Inc.*, "Color Kinetics' Memorandum in Support of its Motion for Summary Judgment on Super Vision's 'Badmouthing' Claims".
- United States District Court District of Massachusetts, Case No. 02 CV 11137 MEL, *Color Kinetics Incorporated v. Super Vision International, Inc.*, "Color Kinetics' Memorandum in Support of its Motion for Summary Judgment on the Issue of Inequitable Conduct".
- United States District Court District of Massachusetts, Case No. 02 CV 11137 MEL, *Color Kinetics Incorporated v. Super Vision International, Inc.*, "Color Kinetics' Opening Memorandum Concerning Claim Construction".
- United States District Court, Case No. 02 CV 11137 MEL, *Color Kinetics Incorporated v. Super Vision International, Inc.*, "Super Vision International, Inc.'s Response to Color Kinetics' Motion for Summary Judgment on the Issue of Inequitable Conduct."
- United States District Court, Case No. 02 CV 11137 MEL, *Color Kinetics Incorporated v. Super Vision International, Inc.*, "Super Vision International, Inc.'s Response to Color Kinetics' Motion for Summary Judgment on the Issue of Infringement".
- United States District Court, Case No. 02 CV 11137 MEL, *Color Kinetics Incorporated v. Super Vision International, Inc.*, "Super Vision International, Inc.'s Response to Color Kinetics' Motion for Summary Judgment on the Issue of Invalidity".
- United States District Court, Case No. 02 CV 11137 MEL, *Color Kinetics Incorporated v. Super Vision International, Inc.*, "Super Vision International, Inc.'s Response to Color Kinetics' Opening Memorandum Concerning Claim Construction".
- Color Kinetics v. Super Vision International, Inc.*, "Preliminary Expert Witness Report of Dr. David I. Kennedy Prepared and Submitted on Behalf of Super Vision International, Inc.," United States District Court of Massachusetts Case No. 02 CV 11137 MEL.
- G. MacGregor et al., "Solid-State Displays for CRT Replacement in Data Annotation Systems," Optotek Limited, Proceedings, IEEE-SID Conference on Display Devices and Systems, 1974, Washington, DC, pp. 59-65.
- P.G. Wareberg and D.I. Kennedy, "Flat-Panel Video Resolution LED Display System," Optotek Limited, IEEE, 1982, pp. 746-751.
- R.J. Spiger, "LED Multifunction Keyboard Engineering Study," Jun. 1983.
- D. Effer et al., "Fabrication and Properties of Gallium Phosphide Variable Colour Displays," Jul. 1973.

Optotek Limited, Technical Manual for Multicolor Interactive Switch Module AN-601 and Input Simulator AN-600, Sep. 1986.

Des Keppel, "Tech Tips, Pulse Adding Circuit," ETI Nov. 1986.

Neil Muir, "Dual Colour LED Driver," ETI Nov. 1986.

Multicolour Pendant, Maplin Magazine, Dec. 1981.

"Solid-State Dark Room Lighting," Elektor, Oct. 1983.

Open Letter to the USPTO, Oct. 14, 2004, <http://www.artisticlicense.com/app.notes/appnote027.pdf>.

<http://www.artisticlicense.com/appnotes/appnote015.pdf>, pp. 1-17.

International Search Report from PCT Application PCT/US01/13151.

Co-pending U.S. Appl. No. 09/805,590, filed Mar. 13, 2001, Kevin J. Dowling et al., "Light-Emitting Diode Based Products".

* cited by examiner

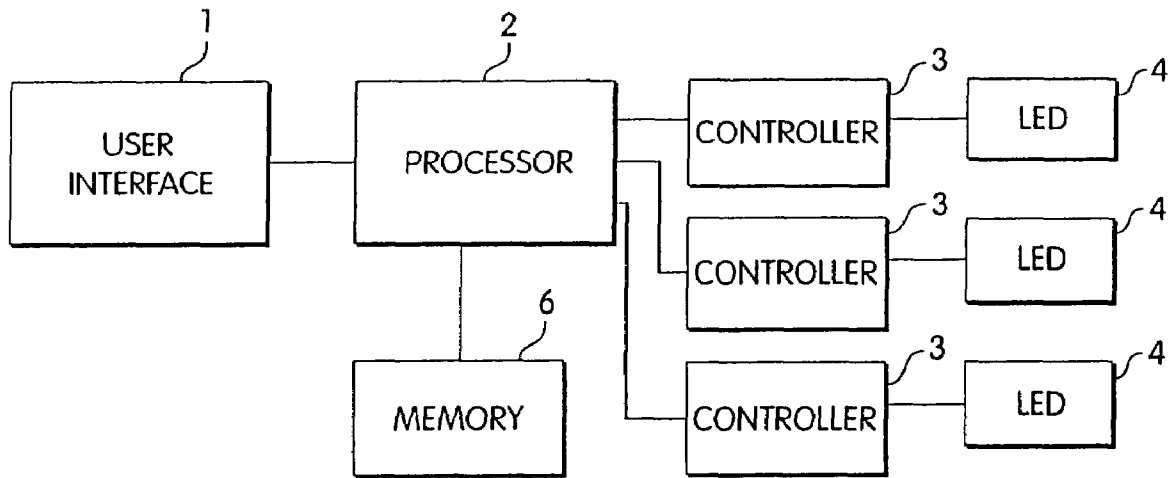


Fig. 1

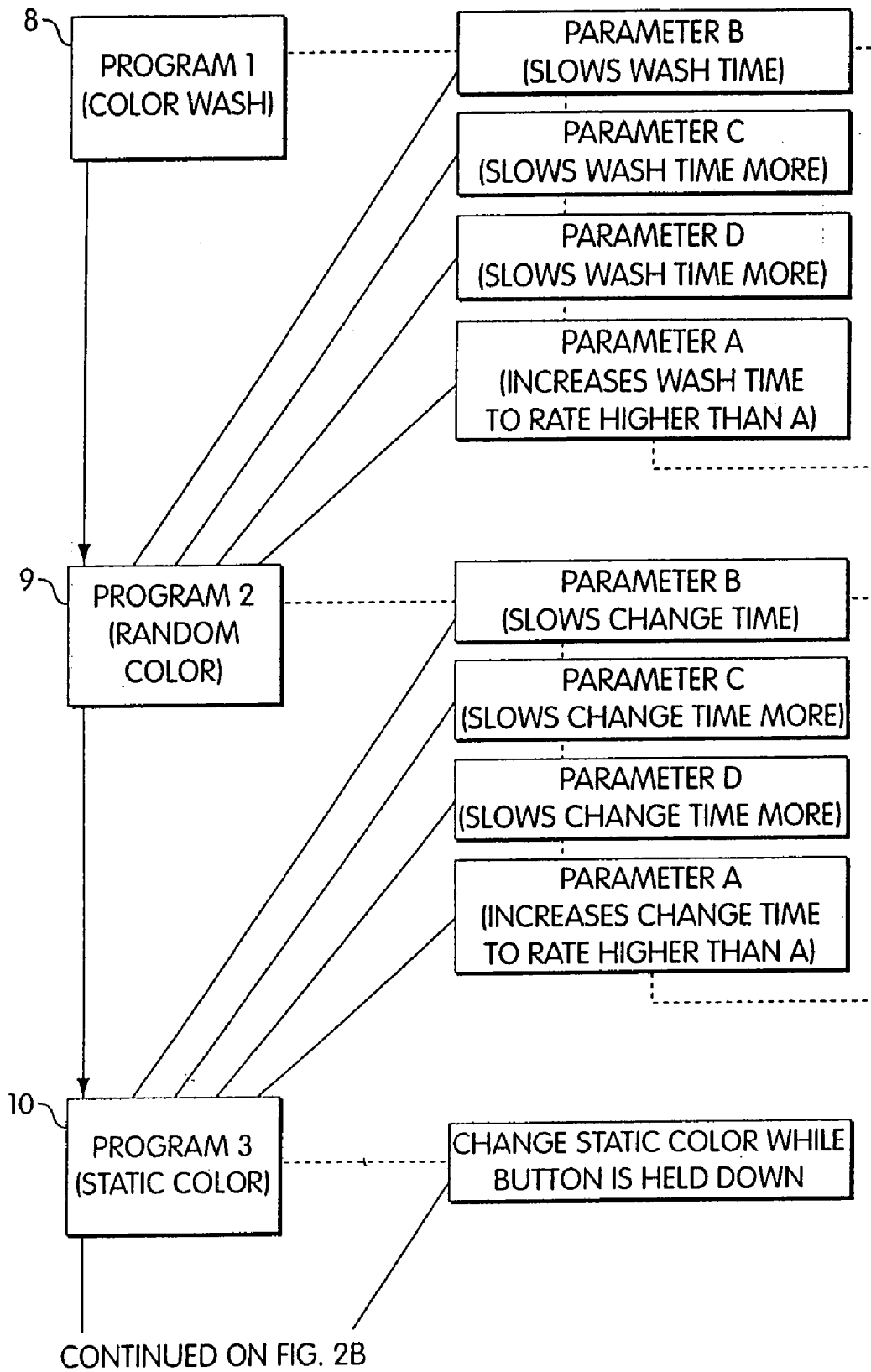


Fig. 2A

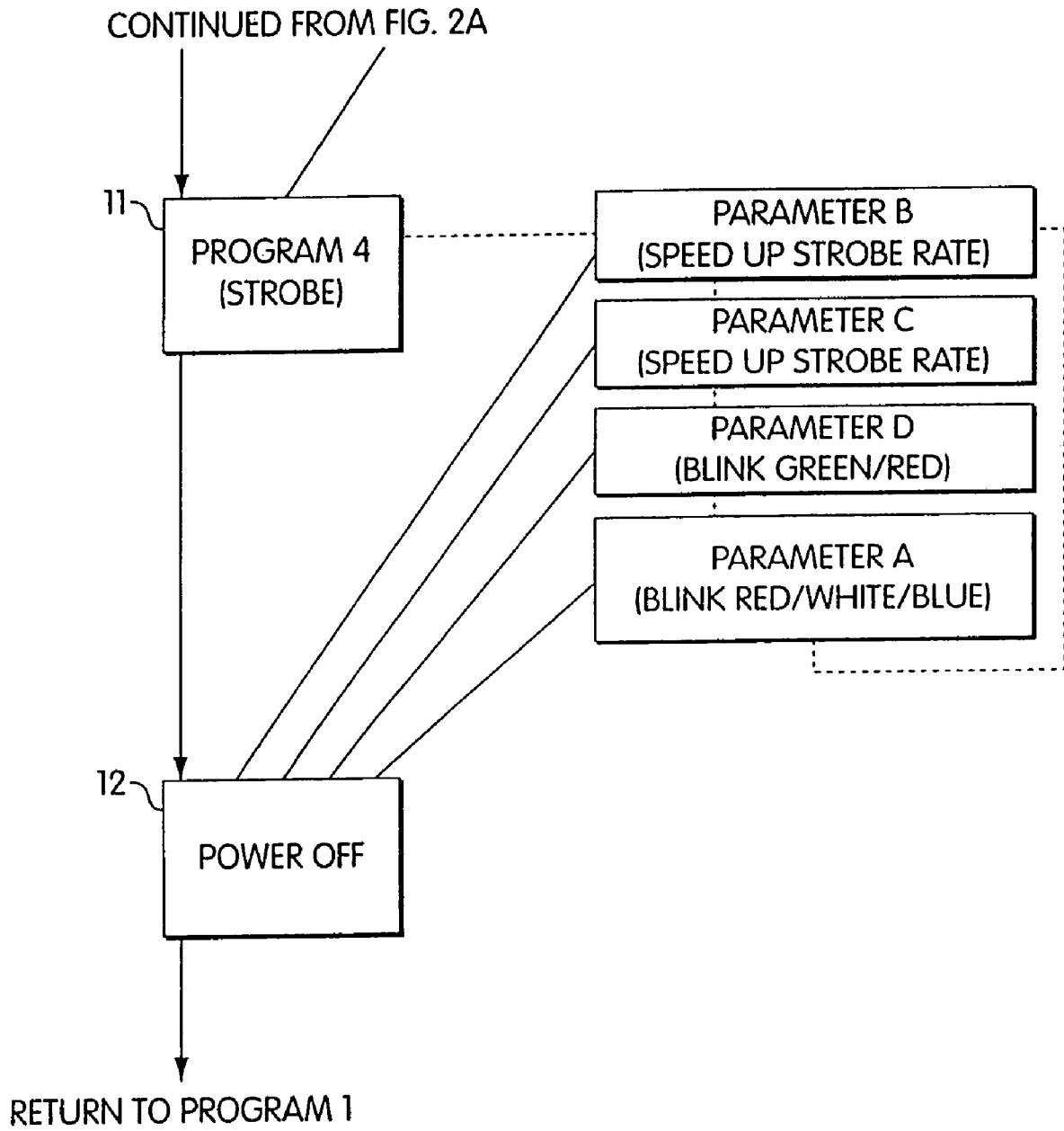


Fig. 2B

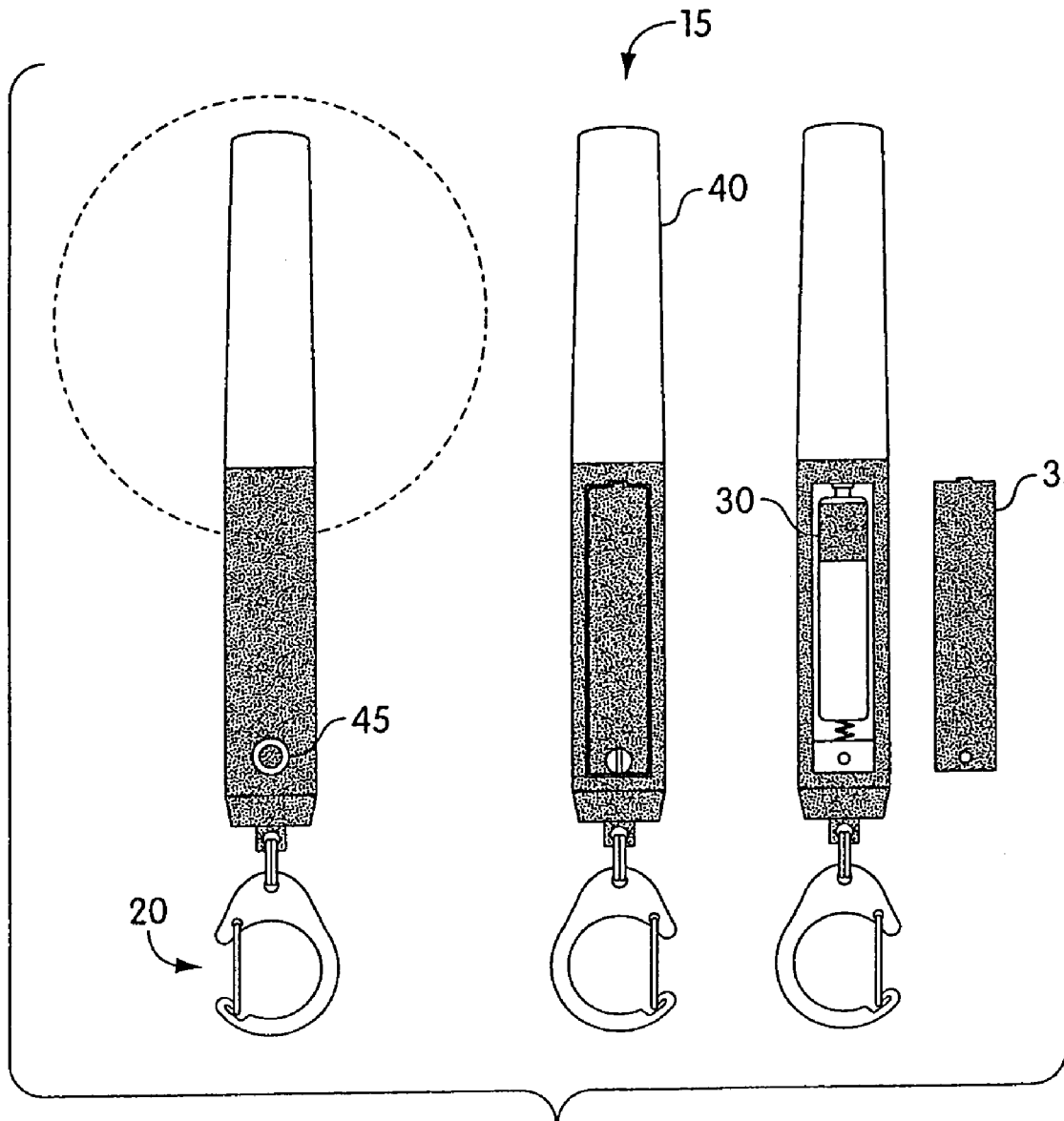


Fig. 3

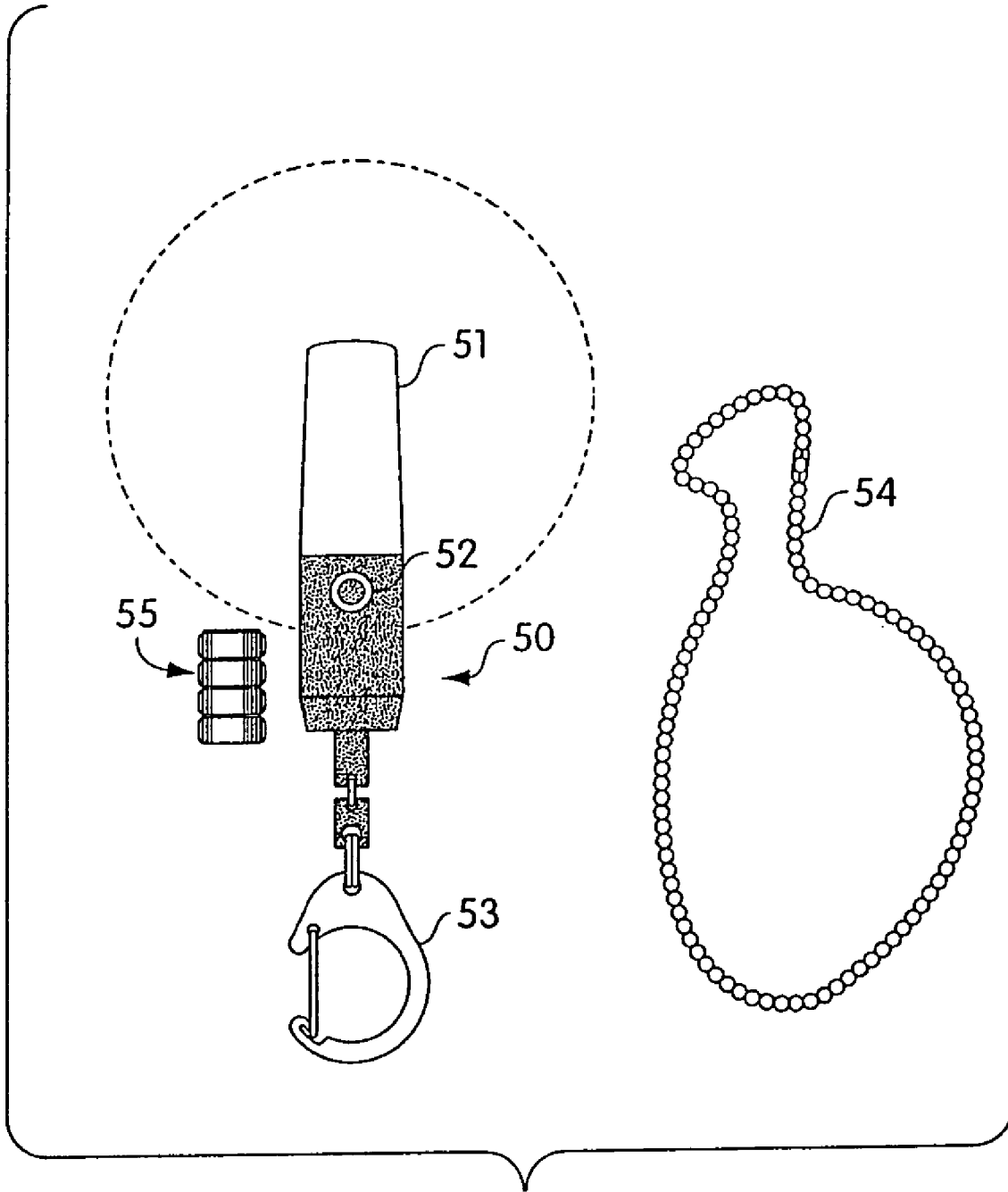


Fig. 4

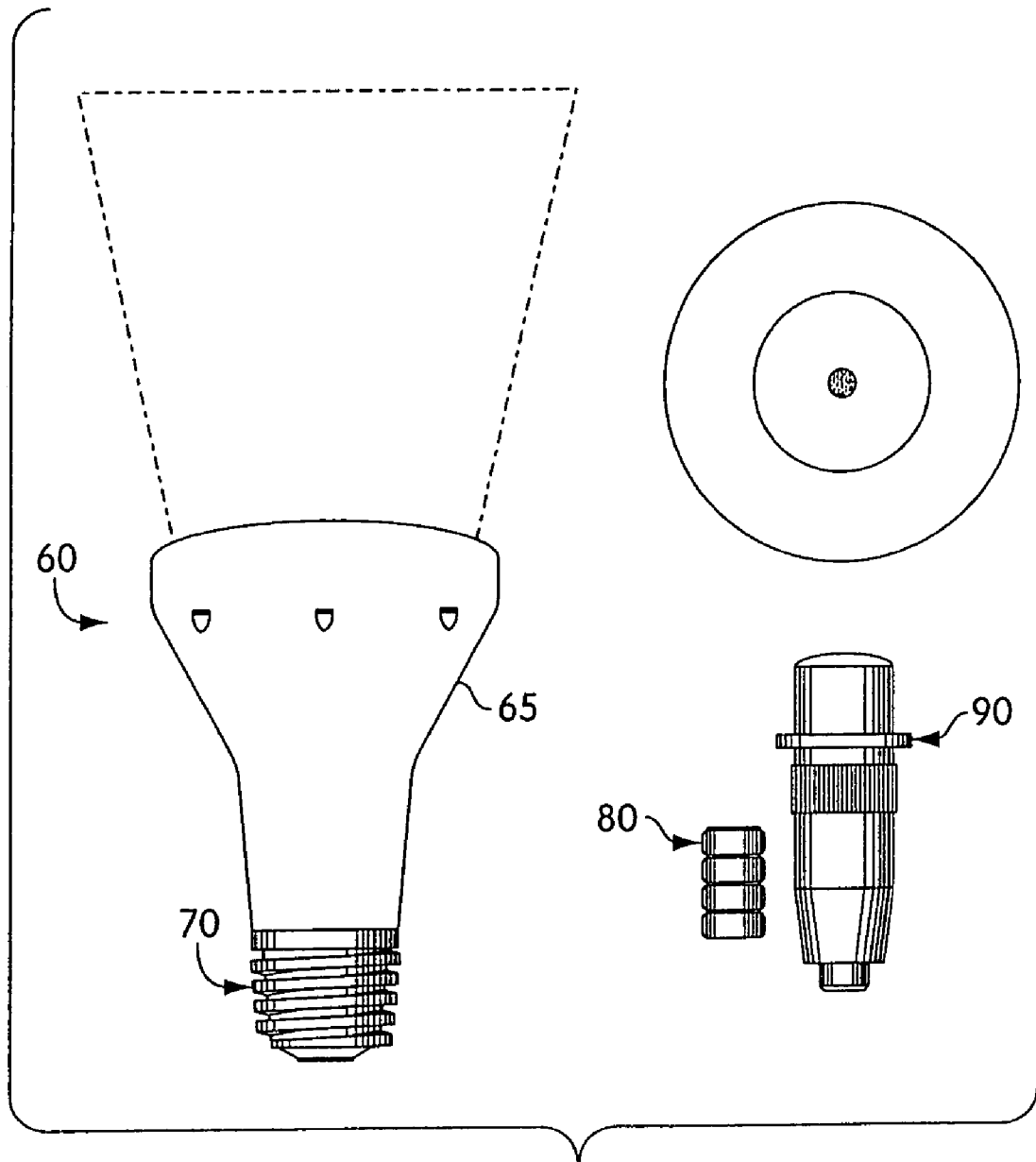


Fig. 5

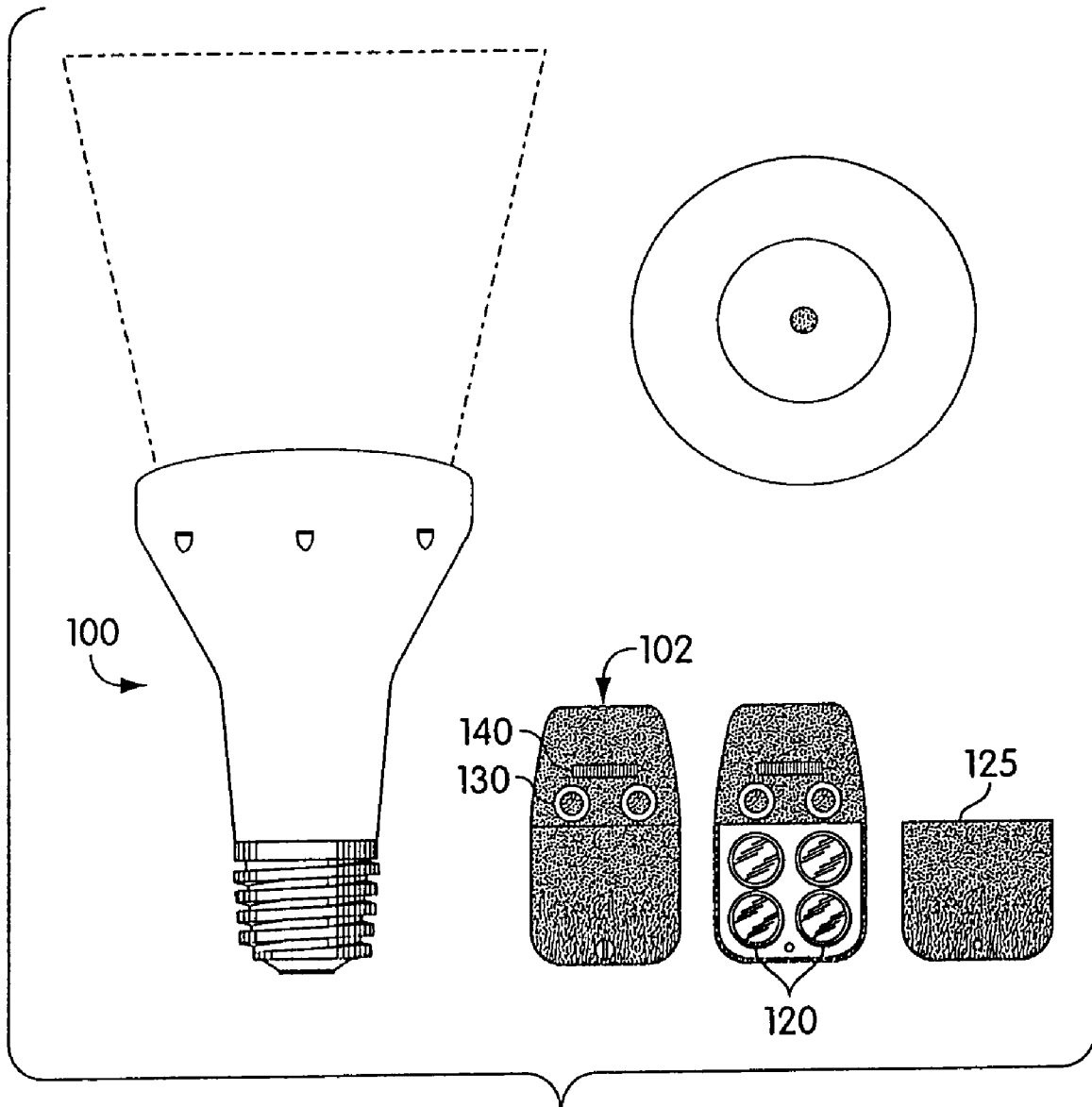


Fig. 6

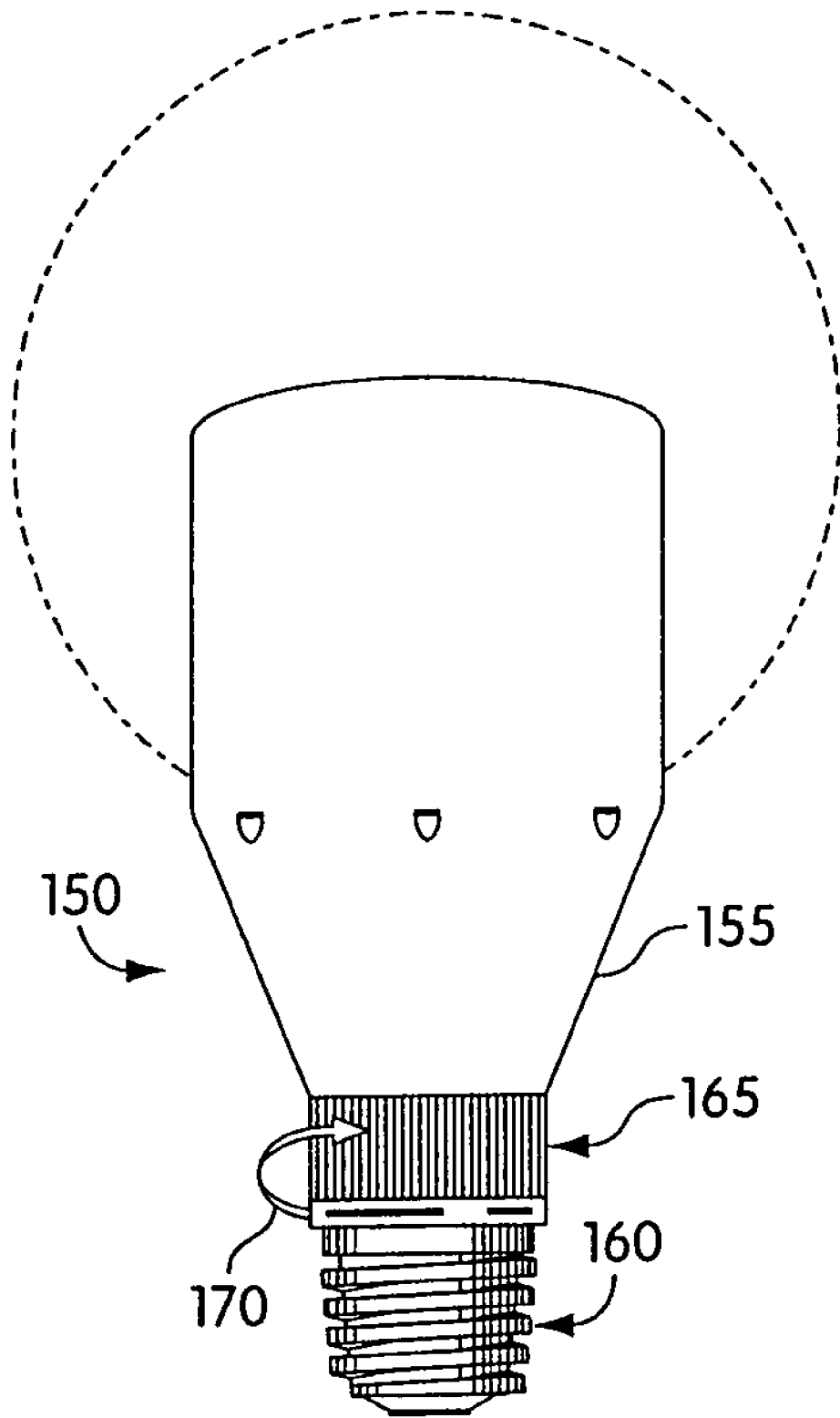


Fig. 7

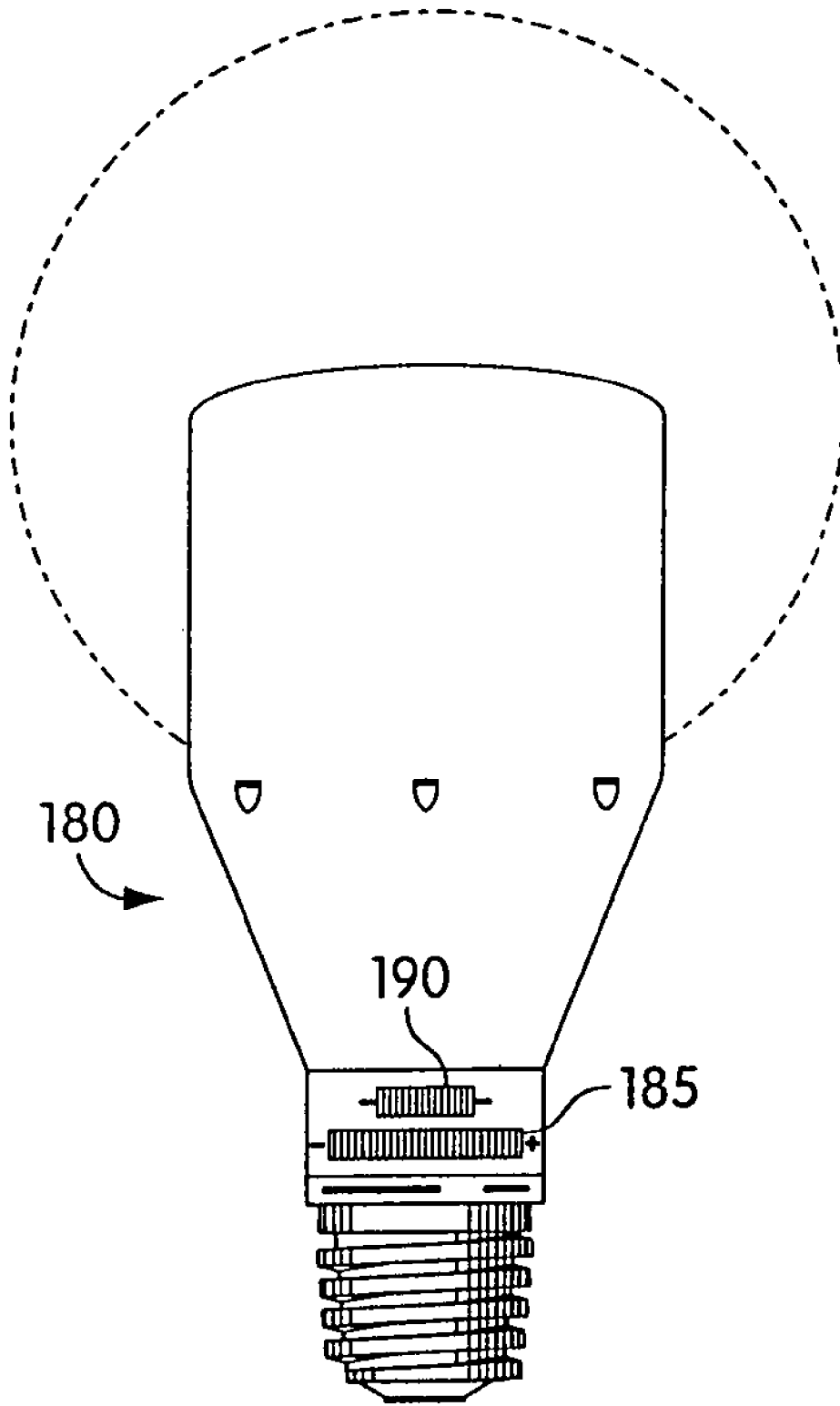


Fig. 8

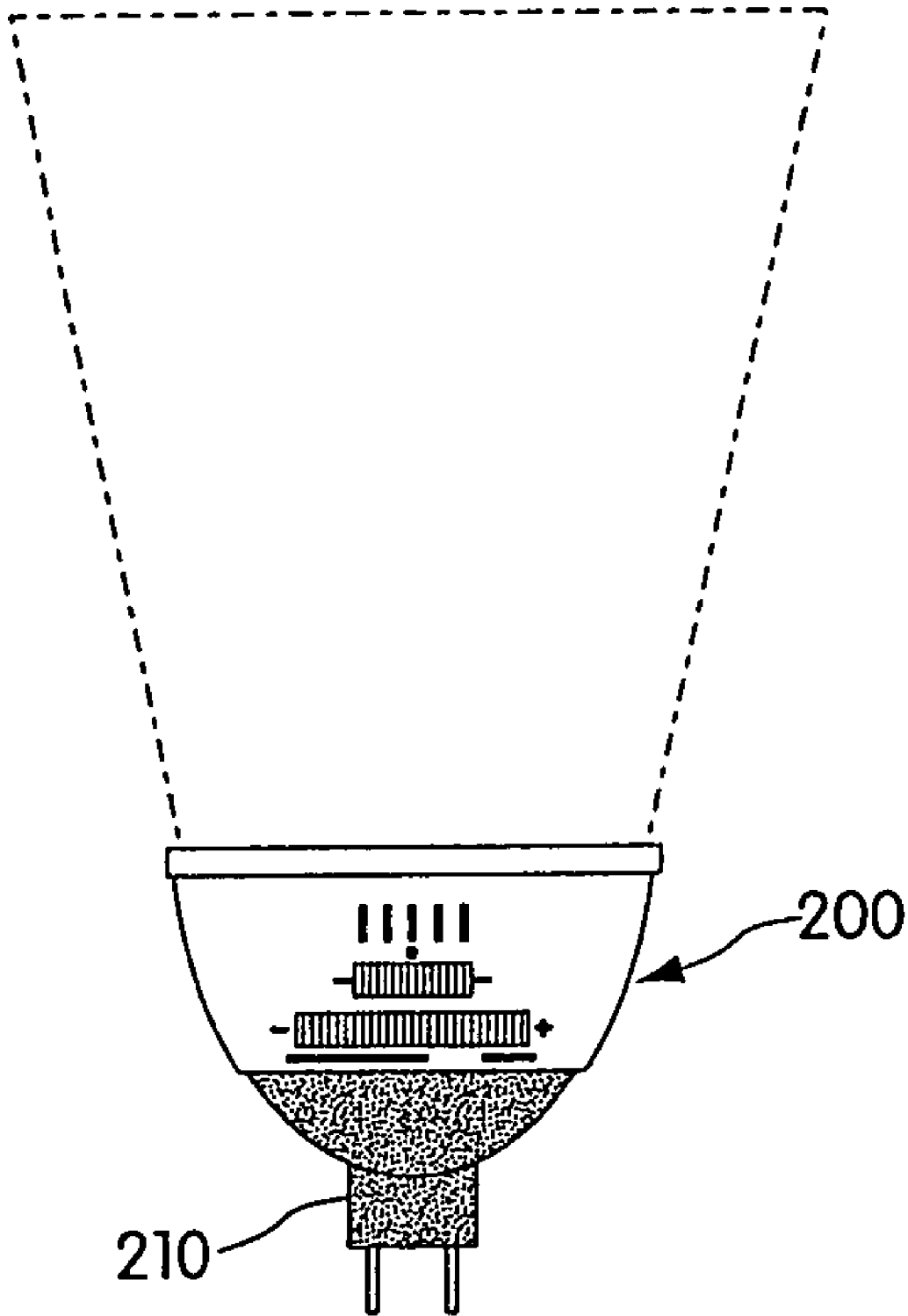


Fig. 9

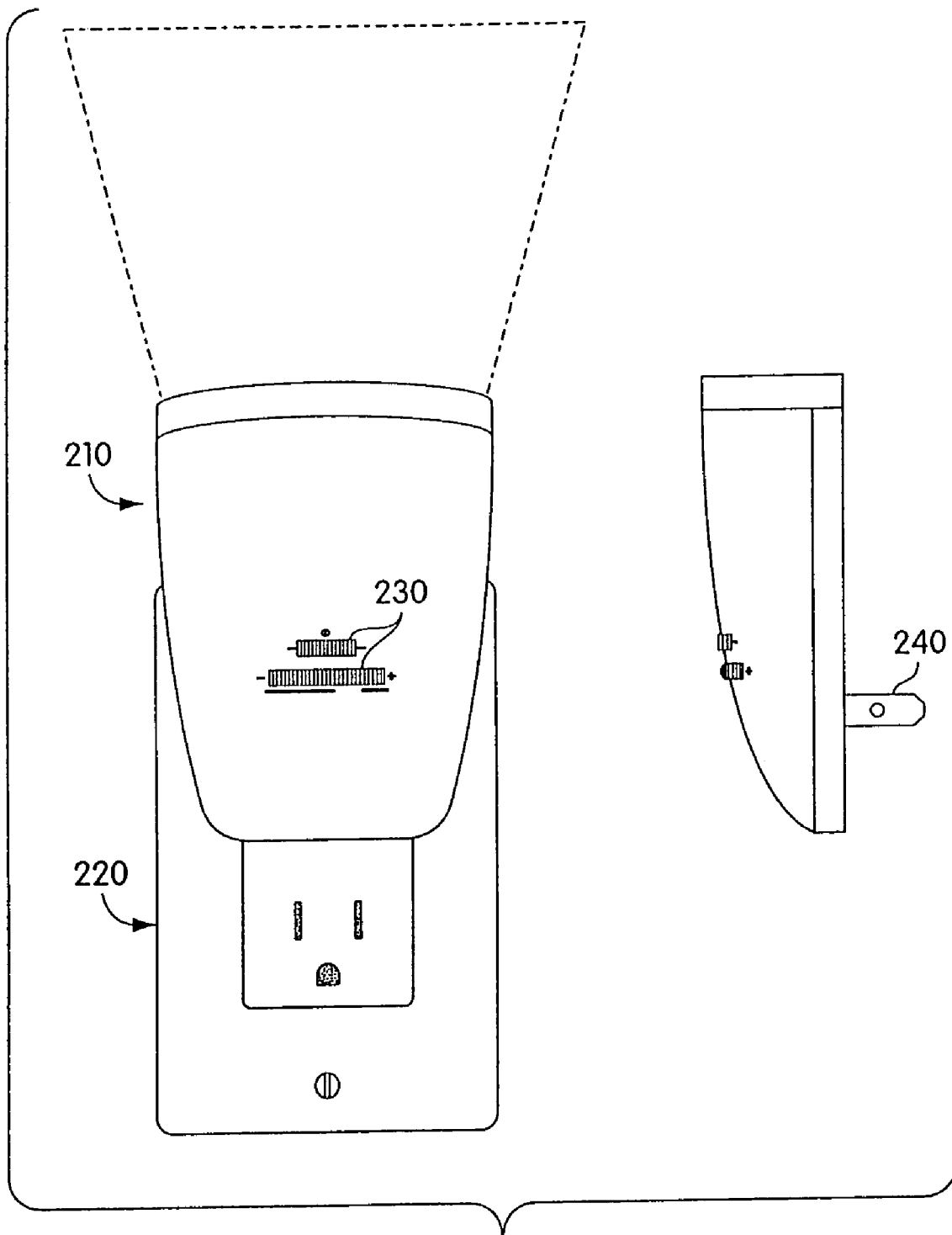


Fig. 10

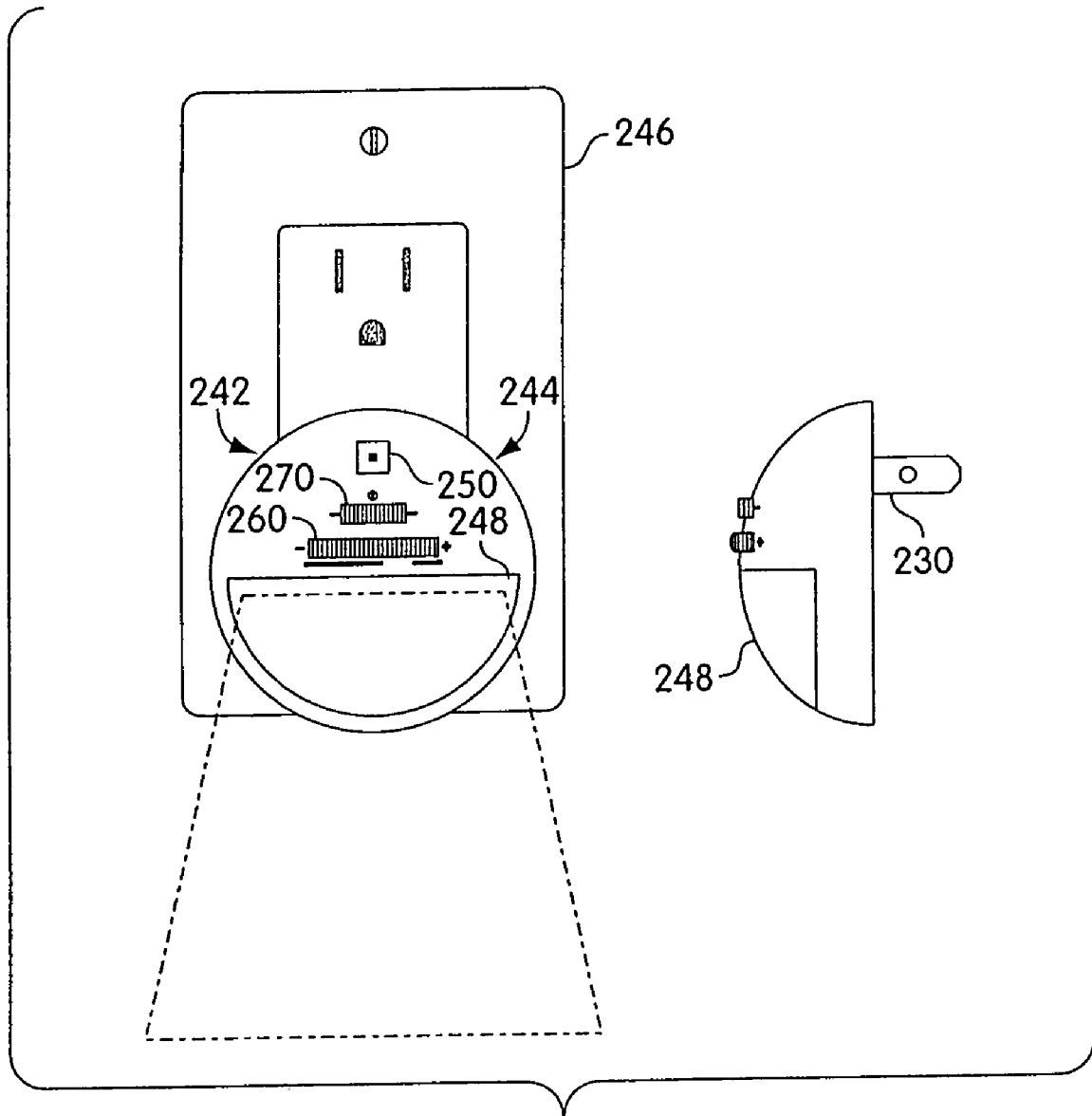


Fig. 11

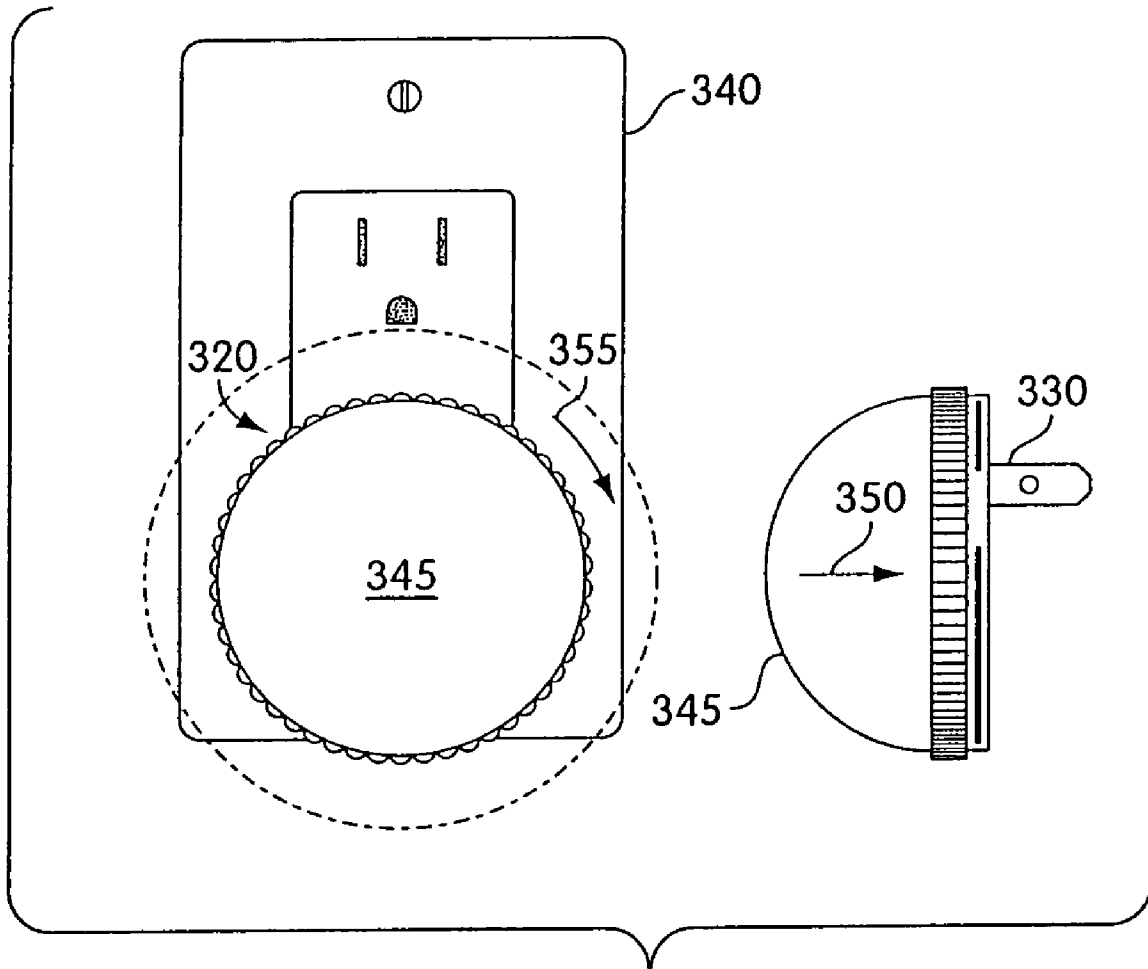


Fig. 12

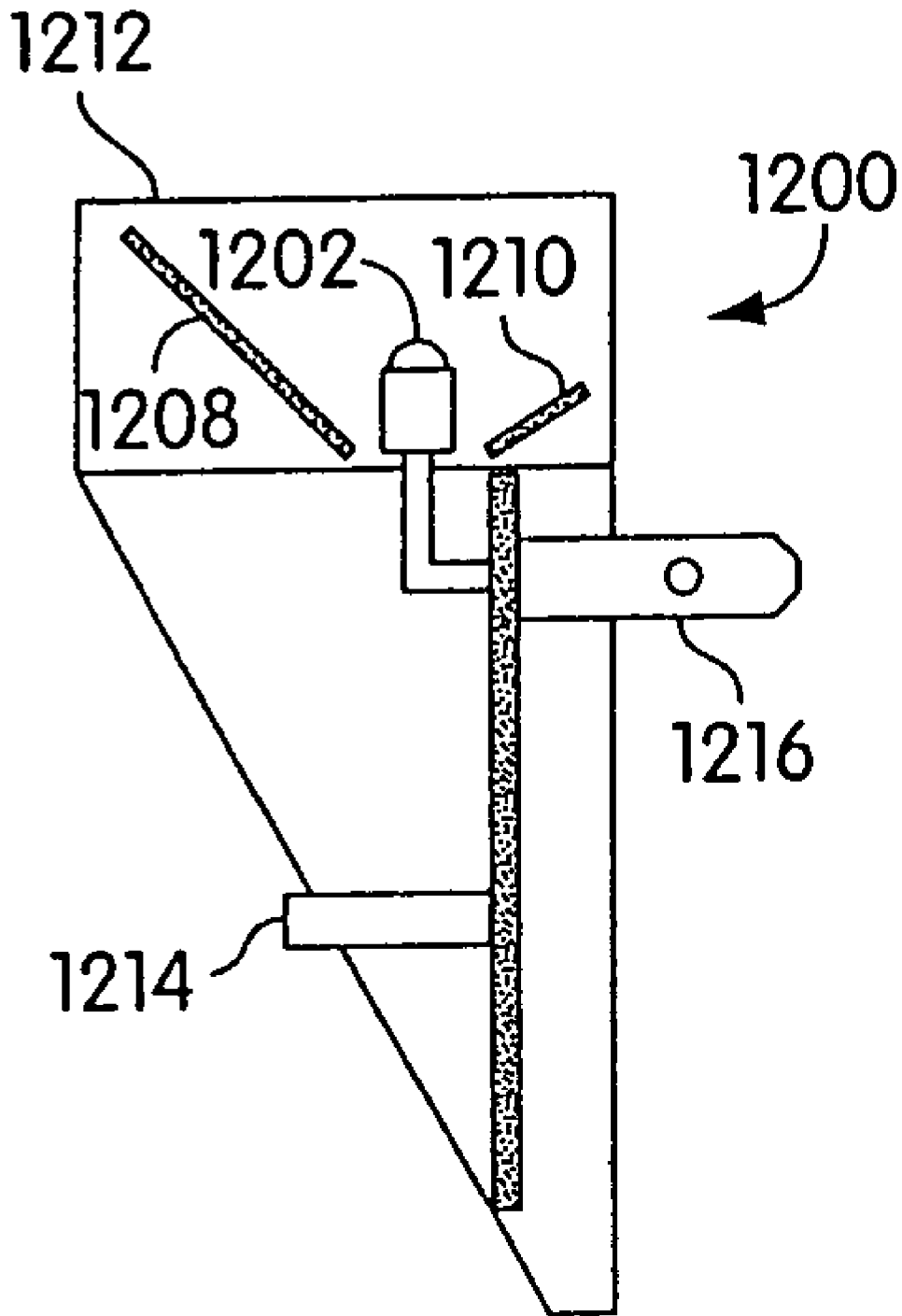


Fig. 13

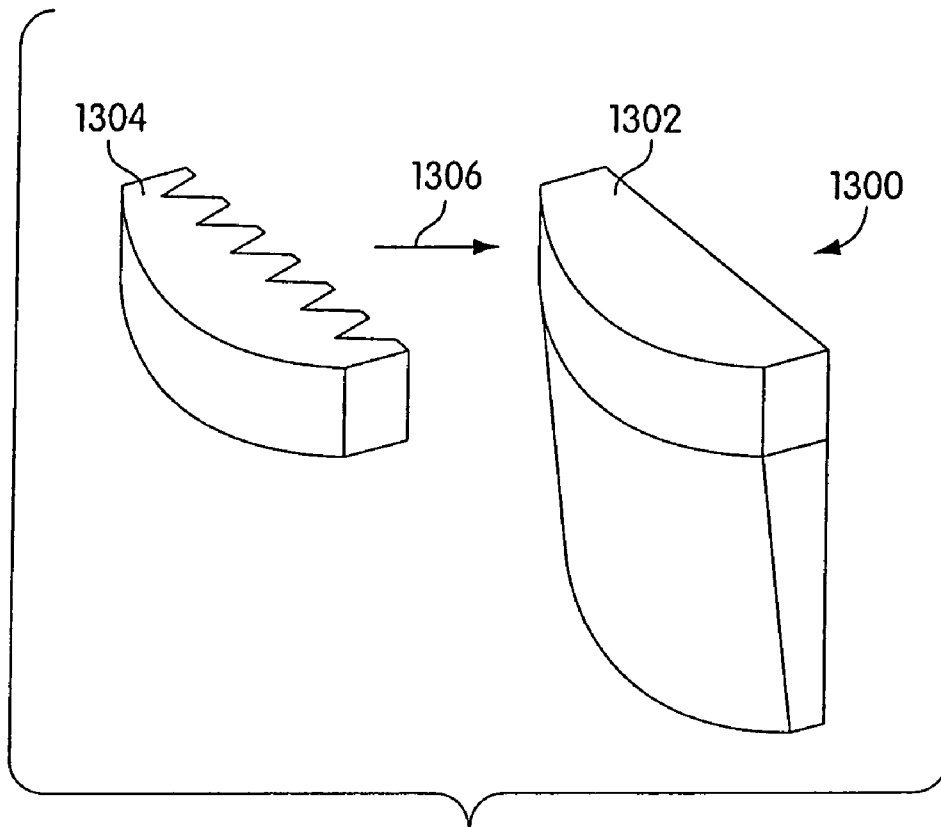


Fig. 14

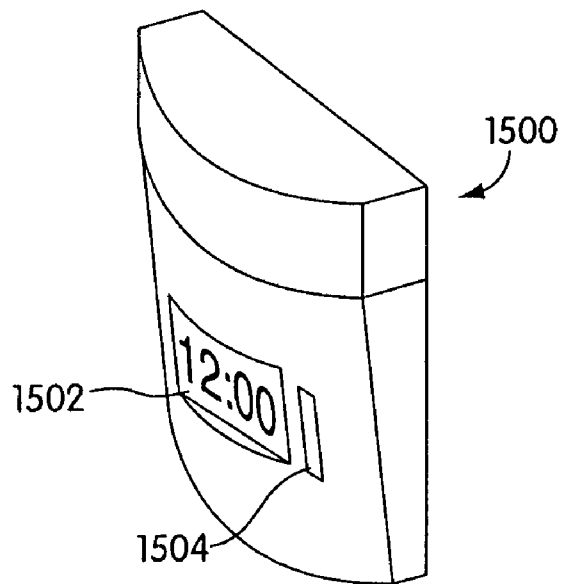


Fig. 15

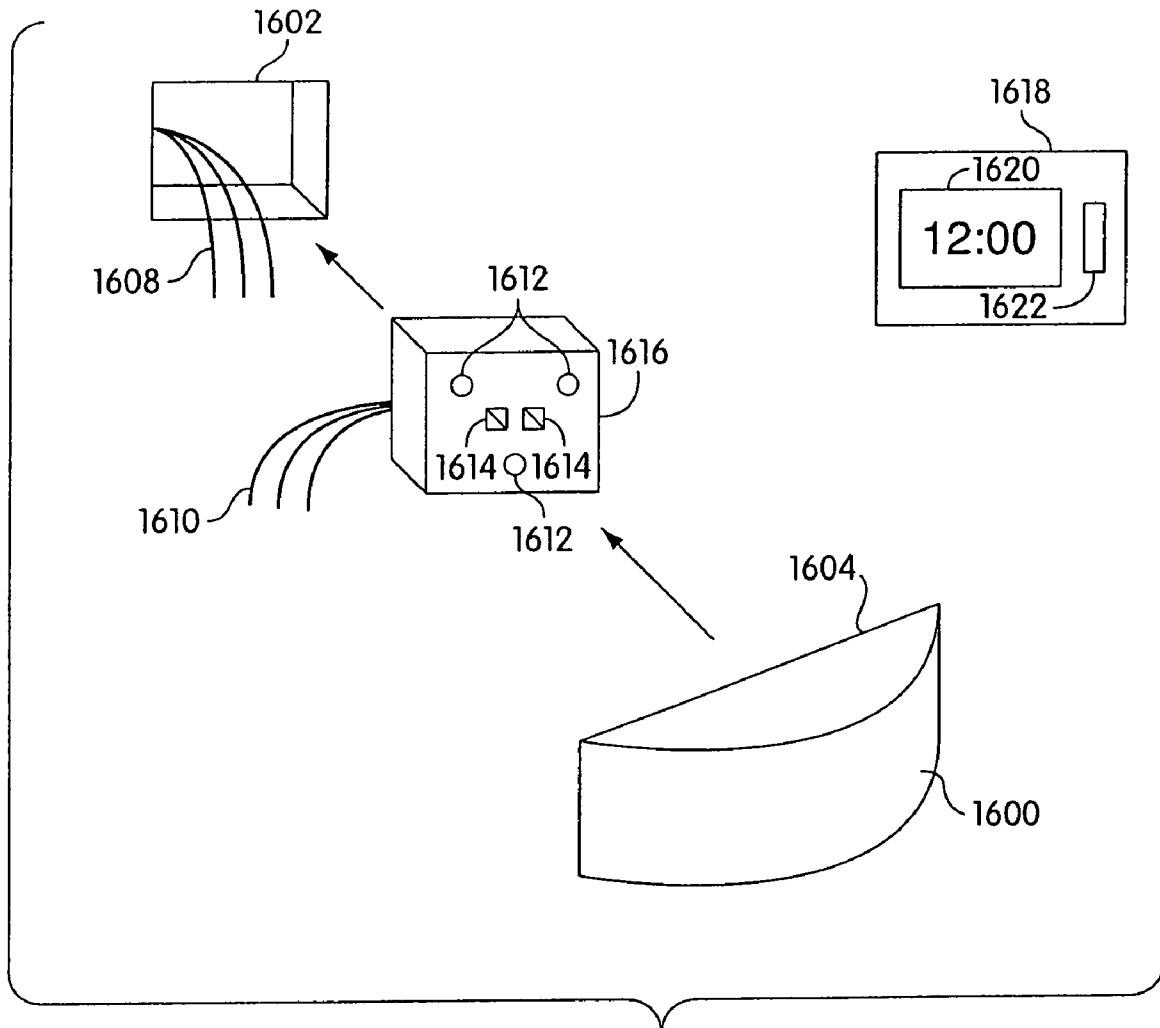


Fig. 16

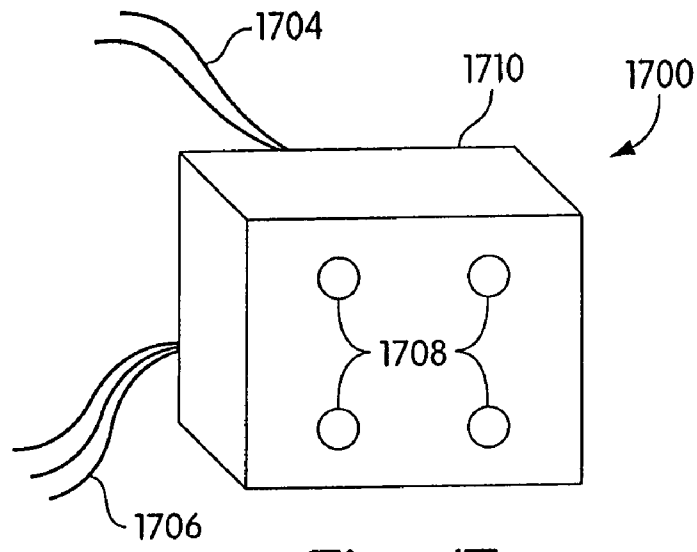


Fig. 17

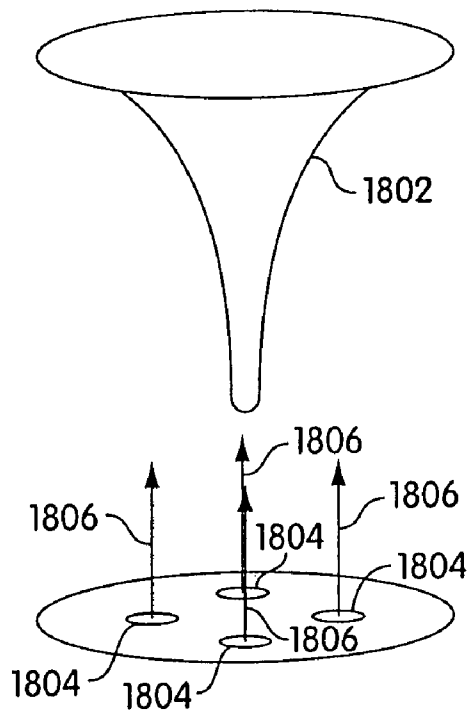


Fig. 18

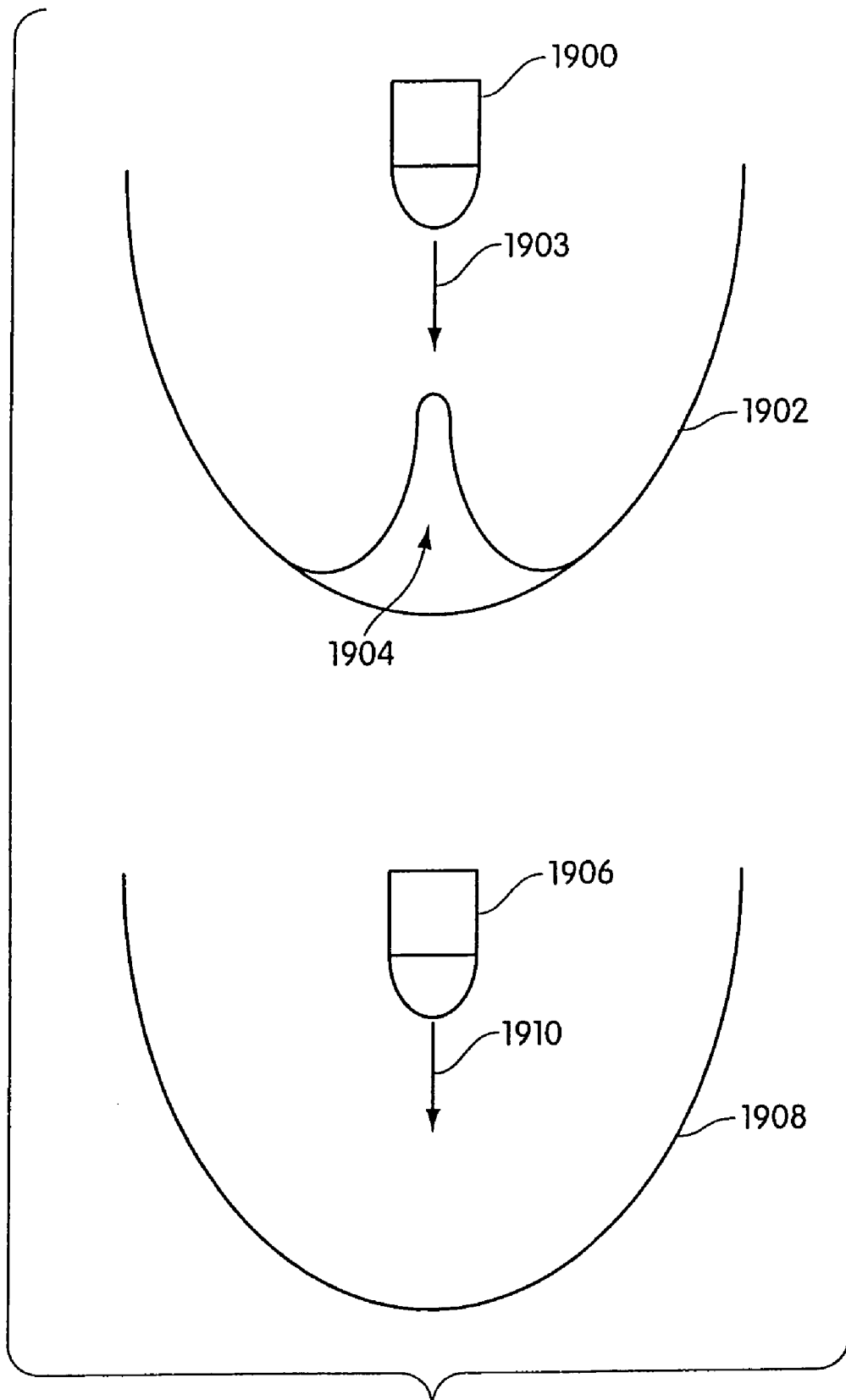


Fig. 19

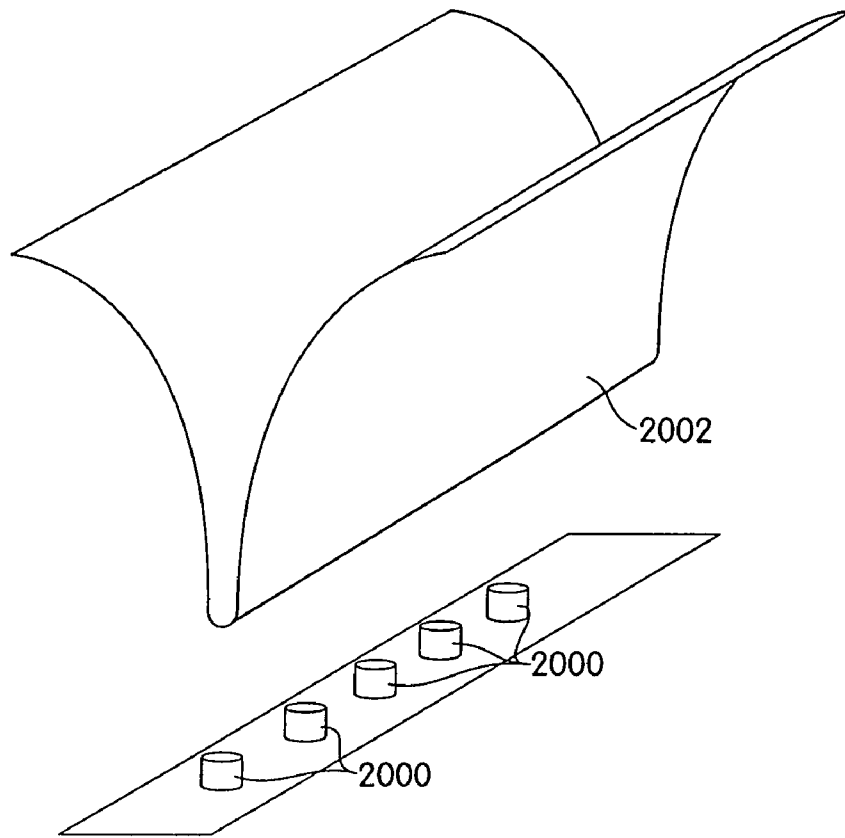


Fig. 20

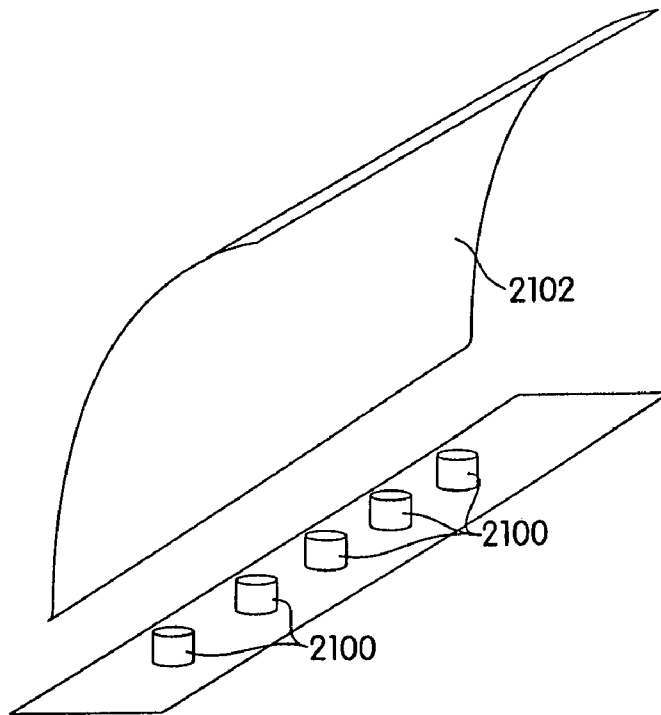


Fig. 21

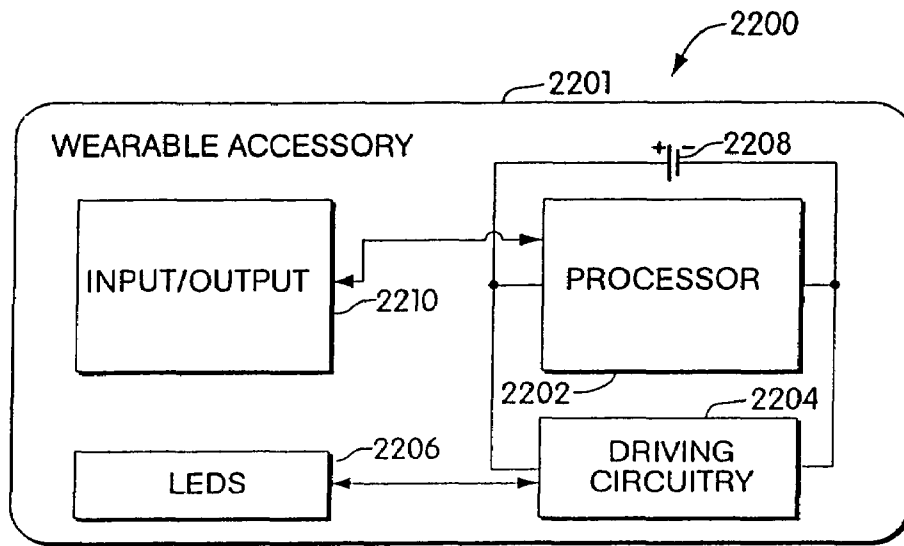


Fig. 22

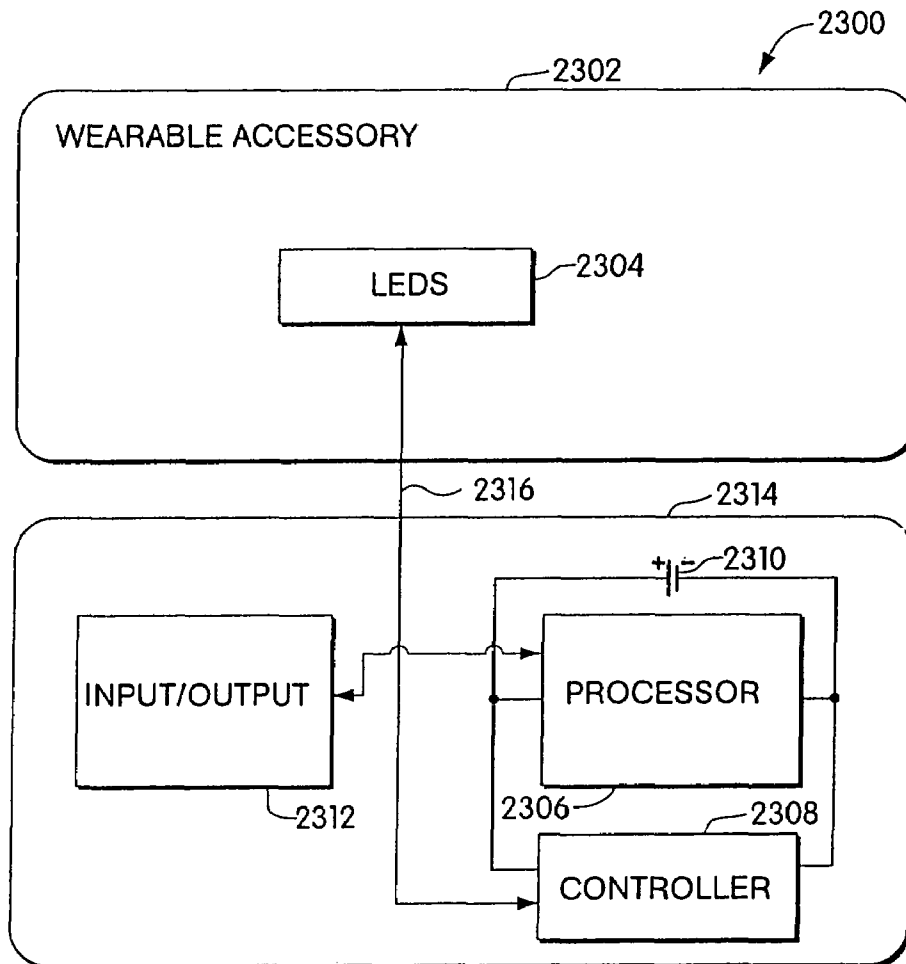


Fig. 23

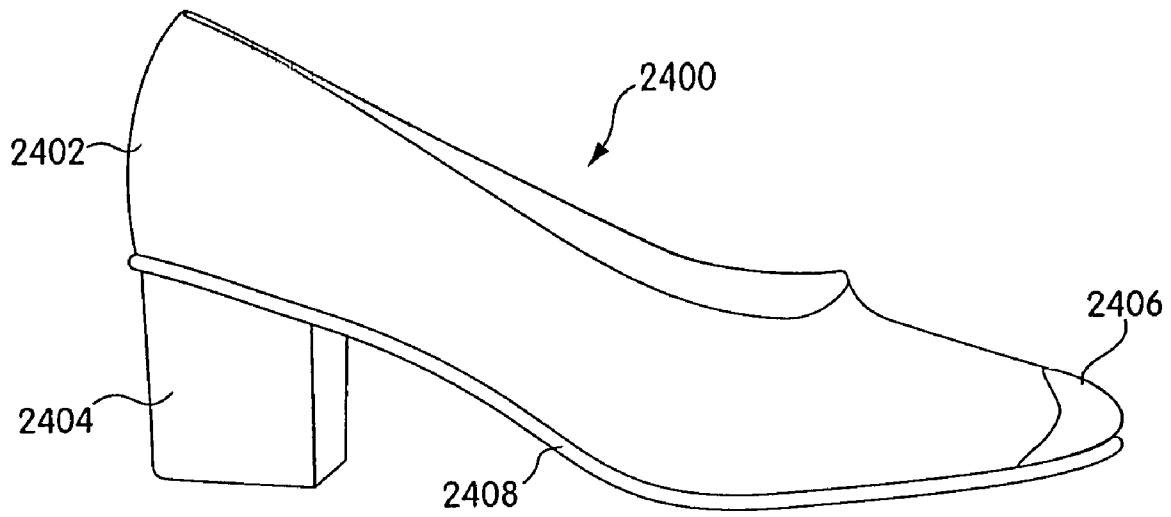


Fig. 24

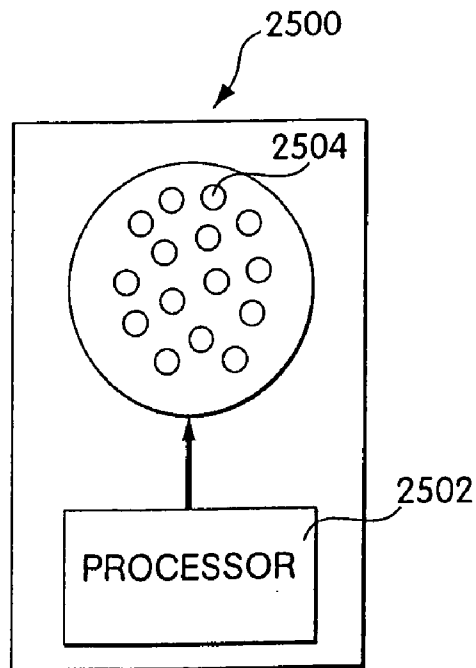


Fig. 25

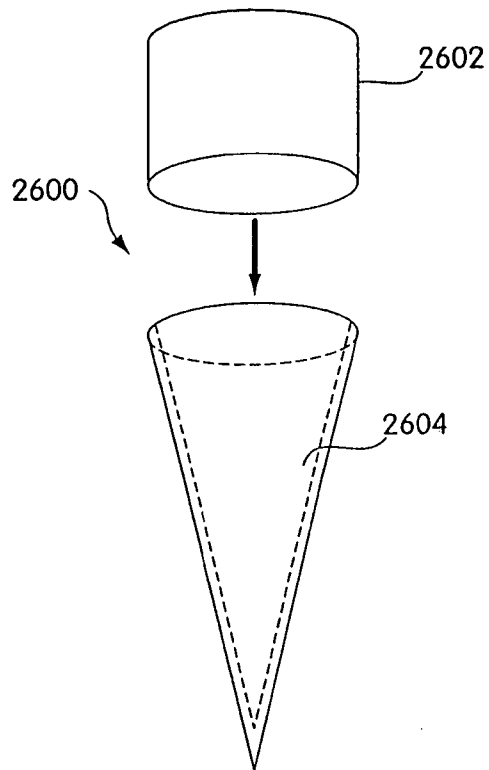


Fig. 26

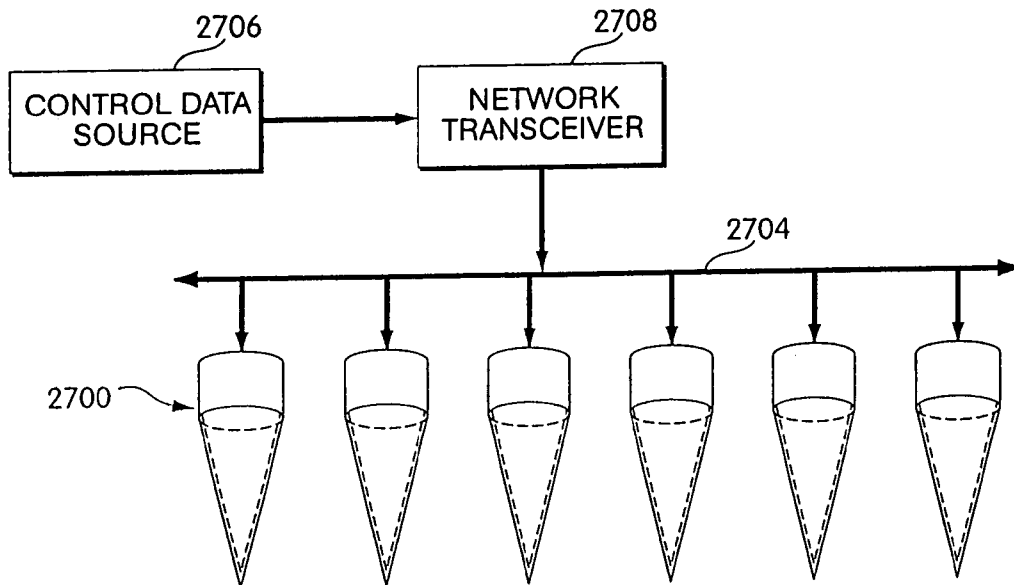


Fig. 27

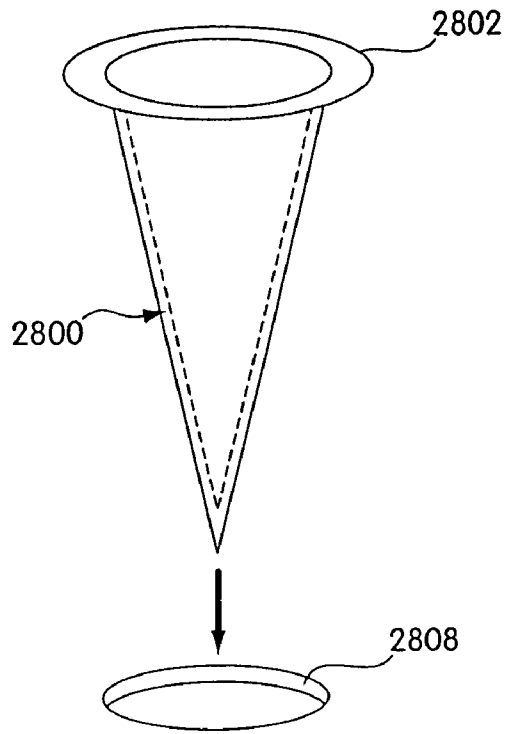


Fig. 28

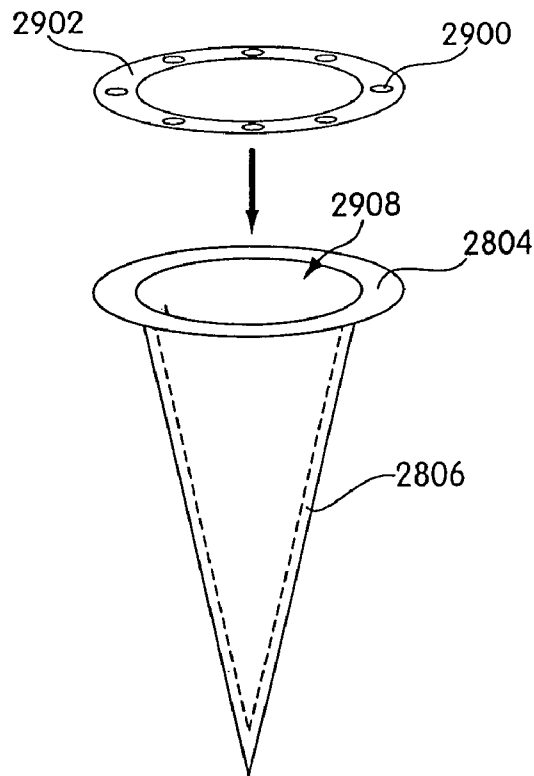


Fig. 29

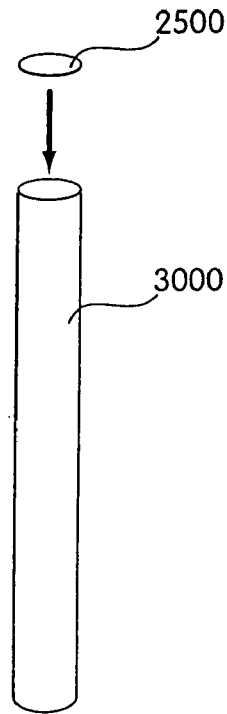


Fig. 30

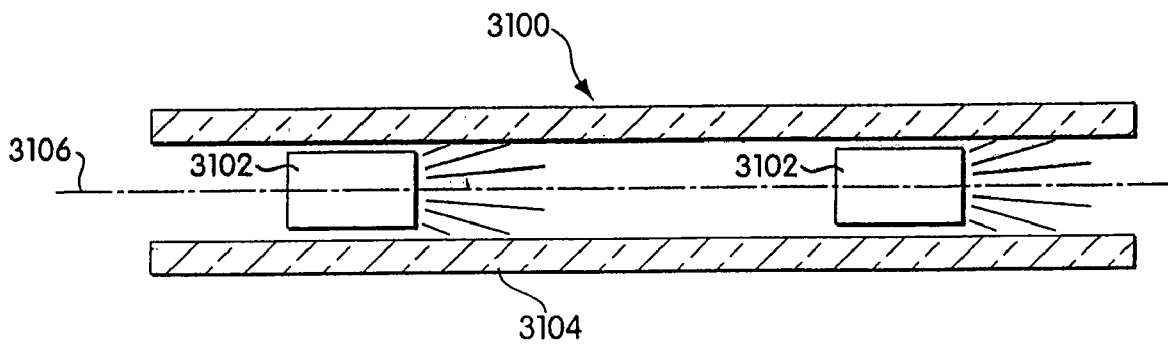


Fig. 31

LIGHT-EMITTING DIODE BASED PRODUCTS**CROSS REFERENCE TO RELATED APPLICATIONS**

This application claims the benefit, under 35 U.S.C. §119(e), of the entire disclosure of the following United States provisional patent applications (each of which is incorporated herein by reference):

U.S. Provisional Patent App. No. 60/199,333, filed Apr. 24, 2000; and

U.S. Provisional Patent App. No. 60/211,417, filed Jun. 14, 2000.

This application also claims the benefit as a continuation-in-part of the following United States patent applications:

U.S. patent application Ser. No. 09/215,624, filed Dec. 17, 1998, now U.S. Pat. No. 6,528,954 which is incorporated herein by reference and which claims the benefit of the following provisional applications:

Ser. No. 60/071,281, filed Dec. 17, 1997, entitled "Digitally Controlled Light Emitting Diodes Systems and Methods";

Ser. No. 60/068,792, filed Dec. 24, 1997, entitled "Multi-Color Intelligent Lighting";

Ser. No. 60/078,861, filed Mar. 20, 1998, entitled "Digital Lighting Systems";

Ser. No. 60/079,285, filed Mar. 25, 1998, entitled "System and Method for Controlled Illumination"; and

Ser. No. 60/090,920, filed Jun. 26, 1998, entitled "Methods for Software Driven Generation of Multiple Simultaneous High Speed Pulse Width Modulated Signals";

U.S. patent application Ser. No. 09/213,607, filed Dec. 17, 1998 now abandoned;

U.S. patent application Ser. No. 09/213,189, filed Dec. 17, 1998, now U.S. Pat. No. 6,459,919, issued Oct. 1, 2002;

U.S. patent application Ser. No. 09/213,581, filed Dec. 17, 1998 now U.S. Pat. No. 7,038,398;

U.S. patent application Ser. No. 09/213,540, filed Dec. 17, 1998 now U.S. Pat. No. 6,720,745;

U.S. patent application Ser. No. 09/333,739, filed Jun. 15, 1999, which is incorporated herein by reference;

U.S. patent application Ser. No. 09/344,699, filed Jun. 25, 1999, which is incorporated herein by reference;

U.S. patent application Ser. No. 09/626,905, filed Jul. 27, 2000, now U.S. Pat. No. 6,340,868;

U.S. patent application Ser. No. 09/669,121, filed Sep. 25, 2000, now U.S. Pat. No. 6,806,659 which is incorporated herein by reference and which is a continuation (CON) of U.S. patent application Ser. No. 09/425,770, filed Oct. 22, 1999, now U.S. Pat. No. 6,150,774, issued Nov. 21, 2000, which is a continuation (CON) of U.S. patent application Ser. No. 08/920,156, filed Aug. 26, 1997, now U.S. Pat. No. 6,016,038, issued Jan. 18, 2000;

U.S. patent application Ser. No. 09/742,017, filed Dec. 20, 2000, which is a continuation (CON) of U.S. patent application Ser. No. 09/213,548, filed Dec. 17, 1998, now U.S. Pat. No. 6,166,496, issued Dec. 26, 2000;

U.S. patent application Ser. No. 09/213,537, filed Dec. 17, 1998, now U.S. Pat. No. 6,292,901, issued Sep. 18, 2001; and

U.S. patent application Ser. No. 09/213,659, filed Dec. 17, 1998, now U.S. Pat. No. 6,211,626, issued Apr. 3, 2001.

BACKGROUND OF THE INVENTION

Lighting elements are sometimes used to illuminate a system, such as a consumer product, wearable accessory, novelty item, or the like. Existing illuminated systems, however, are generally only capable of exhibiting fixed illumination with one or more light sources. An existing wearable accessory, for example, might utilize a single white-light bulb as an illumination source, with the white-light shining through a transparent colored material. Such accessories only exhibit an illumination of a single type (a function of the color of the transparent material) or at best, by varying the intensity of the bulb output, a single-colored illumination with some range of controllable brightness. Other existing systems, to provide a wider range of colored illumination, may utilize a combination of differently colored bulbs. Such accessories, however, remain limited to a small number of different colored states, for example, three distinct illumination colors: red (red bulb illuminated); blue (blue bulb illuminated); and purple (both red and blue bulbs illuminated). The ability to blend colors to produce a wide range of differing tones of color is not present.

Techniques are known for producing multi-colored lighting effects with LED's. Some such techniques are shown in, for example, U.S. Pat. No. 6,016,038, U.S. patent application Ser. No. 09/215,624, and U.S. Pat. No. 6,150,774 the teachings of which are incorporated herein by reference. While these references teach systems for producing lighting effects, they do not address some applications of programmable, multi-colored lighting systems.

For example, many toys, such as balls, may benefit from improved color illumination, processing, and/or networking attributes. There are toy balls that have lighted parts or balls where the entire surface appears to glow, however there is no ball available that employs dynamic color changing effects. Moreover, there is no ball available that responds to data signals provided from a remote source. As another example, ornamental devices are often lit to provide enhanced decorative effects. U.S. Pat. Nos. 6,086,222 and 5,975,717, for example, disclose lighted ornamental icicles with cascading lighted effects. As a significant disadvantage, these systems employ complicated wiring harnesses to achieve dynamic lighting. Other examples of crude dynamic lighting may be found in consumer products ranging from consumer electronics to home illumination (such as night lights) to toys to clothing, and so on.

Thus, there remains a need for existing products to incorporate programmable, multi-colored lighting systems to enhance user experience with sophisticated color changing effects, including systems that operate autonomously and systems that are associated with wired or wireless computer networks.

SUMMARY OF THE INVENTION

High-brightness LEDs, combined with a processor for control, can produce a variety of pleasing effects for display and illumination. A system disclosed herein uses high-brightness, processor-controlled LEDs in combination with diffuse materials to produce color-changing effects. The systems described herein may be usefully employed to bring autonomous color-changing ability and effects to a variety of consumer products and other household items. The system may also include sensors so that the illumination of the LEDs might change in response to environmental conditions or a user input. Additionally, the system may include an

interface to a network, so that the illumination of the LEDs may be controlled via the network.

BRIEF DESCRIPTION OF DRAWINGS

The foregoing and other objects and advantages of the invention will be appreciated more fully from the following further description thereof, with reference to the accompanying drawings, wherein:

FIG. 1 is a block diagram of a device according to the principles of the invention;

FIGS. 2A–2B are a state diagram showing operation of a device according to the principles of the invention;

FIG. 3 shows a glow stick according to the principles of the invention;

FIG. 4 shows a key chain according to the principles of the invention;

FIG. 5 shows a spotlight according to the principles of the invention;

FIG. 6 shows a spotlight according to the principles of the invention;

FIG. 7 shows an Edison mount light bulb according to the principles of the invention;

FIG. 8 shows an Edison mount light bulb according to the principles of the invention;

FIG. 9 shows a light bulb according to the principles of the invention;

FIG. 10 shows a wall socket mounted light according to the principles of the invention;

FIG. 11 shows a night light according to the principles of the invention; and

FIG. 12 shows a night light according to the principles of the invention.

FIG. 13 shows a wall washing light according to the principles of the invention.

FIG. 14 shows a wall washing light according to the principles of the invention.

FIG. 15 shows a light according to the principles of the invention.

FIG. 16 shows a lighting system according to the principles of the invention.

FIG. 17 shows a light according to the principles of the invention.

FIG. 18 shows a light and reflector arrangement according to the principles of the invention.

FIG. 19 shows a light and reflector arrangement according to the principles of the invention.

FIG. 20 shows a light and reflector arrangement according to the principles of the invention.

FIG. 21 shows a light and reflector arrangement according to the principles of the invention.

FIG. 22 is a block diagram of an embodiment of a device according to the principles of the invention having internal illumination circuitry;

FIG. 23 is a block diagram of an embodiment of a device according to the principles of the invention having external illumination circuitry;

FIG. 24 depicts an autonomous color-changing shoe according to the principles of the invention;

FIG. 25 depicts a device for use with color-changing icicles;

FIGS. 26–30 depict color-changing icicles; and

FIG. 31 depicts a color-changing rope light.

DETAILED DESCRIPTION OF THE PREFERRED EMBODIMENT(S)

To provide an overall understanding of the invention, certain illustrative embodiments will now be described, including various applications for programmable LED's. However, it will be understood by those of ordinary skill in the art that the methods and systems described herein may be suitably adapted to other environments where programmable lighting may be desired, and that some of the embodiments described herein may be suitable to non-LED based lighting.

As used herein, the term “LED” means any system that is capable of receiving an electrical signal and producing a color of light in response to the signal. Thus, the term “LED” should be understood to include light emitting diodes of all types, light emitting polymers, semiconductor dies that produce light in response to current, organic LEDs, electroluminescent strips, silicon based structures that emit light, and other such systems. In an embodiment, an “LED” may refer to a single light emitting diode package having multiple semiconductor dies that are individually controlled. It should also be understood that the term “LED” does not restrict the package type of the LED. The term “LED” includes packaged LEDs, non-packaged LEDs, surface mount LEDs, chip on board LEDs and LEDs of all other configurations. The term “LED” also includes LEDs packaged or associated with phosphor wherein the phosphor may convert energy from the LED to a different wavelength.

An LED system is one type of illumination source. As used herein “illumination source” should be understood to include all illumination sources, including LED systems, as well as incandescent sources, including filament lamps, pyro-luminescent sources, such as flames, candle-luminescent sources, such as gas mantles and carbon arch radiation sources, as well as photo-luminescent sources, including gaseous discharges, fluorescent sources, phosphorescence sources, lasers, electro-luminescent sources, such as electroluminescent lamps, light emitting diodes, and cathode luminescent sources using electronic saturation, as well as miscellaneous luminescent sources including galvanoluminescent sources, crystallo-luminescent sources, kine-luminescent sources, thermo-luminescent sources, triboluminescent sources, sonoluminescent sources, and radioluminescent sources. Illumination sources may also include luminescent polymers capable of producing primary colors.

The term “illuminate” should be understood to refer to the production of a frequency of radiation by an illumination source with the intent to illuminate a space, environment, material, object, or other subject. The term “color” should be understood to refer to any frequency of radiation, or combination of different frequencies, within the visible light spectrum. The term “color,” as used herein, should also be understood to encompass frequencies in the infrared and ultraviolet areas of the spectrum, and in other areas of the electromagnetic spectrum where illumination sources may generate radiation.

FIG. 1 is a block diagram of a device according to the principles of the invention. The device may include a user interface 1, a processor 2, one or more controllers 3, one or more LEDs 4, and a memory 6. In general, the processor 2 may execute a program stored in the memory 6 to generate signals that control stimulation of the LEDs 4. The signals may be converted by the controllers 3 into a form suitable

5

for driving the LEDs 4, which may include controlling the current, amplitude, duration, or waveform of the signals impressed on the LEDs 4.

As used herein, the term processor may refer to any system for processing electronic signals. A processor may include a microprocessor, microcontroller, programmable digital signal processor or other programmable device, along with external memory such as read-only memory, programmable read-only memory, electronically erasable programmable read-only memory, random access memory, dynamic random access memory, double data rate random access memory, Rambus direct random access memory, flash memory, or any other volatile or non-volatile memory for storing program instructions, program data, and program output or other intermediate or final results. A processor may also, or instead, include an application specific integrated circuit, a programmable gate array, programmable array logic, a programmable logic device, a digital signal processor, an analog-to-digital converter, a digital-to-analog converter, or any other device that may be configured to process electronic signals. In addition, a processor may include discrete circuitry such as passive or active analog components including resistors, capacitors, inductors, transistors, operational amplifiers, and so forth, as well as discrete digital components such as logic components, shift registers, latches, or any other separately packaged chip or other component for realizing a digital function. Any combination of the above circuits and components, whether packaged discretely, as a chip, as a chipset, or as a die, may be suitably adapted to use as a processor as described herein. Where a processor includes a programmable device such as the microprocessor or microcontroller mentioned above, the processor may further include computer executable code that controls operation of the programmable device.

The controller 3 may be a pulse width modulator, pulse amplitude modulator, pulse displacement modulator, resistor ladder, current source, voltage source, voltage ladder, switch, transistor, voltage controller, or other controller. The controller 3 generally regulates the current, voltage and/or power through the LED, in response to signals received from the processor 2. In an embodiment, several LEDs 4 with different spectral output may be used. Each of these colors may be driven through separate controllers 3. The processor 2 and controller 3 may be incorporated into one device, e.g., sharing a single semiconductor package. This device may drive several LEDs 4 in series where it has sufficient power output, or the device may drive single LEDs 4 with a corresponding number of outputs. By controlling the LEDs 4 independently, color mixing can be applied for the creation of lighting effects.

The memory 6 may store algorithms or control programs for controlling the LEDs 4. The memory 6 may also store look-up tables, calibration data, or other values associated with the control signals. The memory 6 may be a read-only memory, programmable memory, programmable read-only memory, electronically erasable programmable read-only memory, random access memory, dynamic random access memory, double data rate random access memory, Rambus direct random access memory, flash memory, or any other volatile or non-volatile memory for storing program instructions, program data, address information, and program output or other intermediate or final results. A program, for example, may store control signals to operate several different colored LEDs 4.

A user interface 1 may also be associated with the processor 2. The user interface 1 may be used to select a program from the memory 6, modify a program from the

6

memory 6, modify a program parameter from the memory 6, select an external signal for control of the LEDs 4, initiate a program, or provide other user interface solutions. Several methods of color mixing and pulse width modulation control are disclosed in U.S. Pat. No. 6,016,038 "Multicolored LED Lighting Method and Apparatus", the teachings of which are incorporated by reference herein. The processor 2 can also be addressable to receive programming signals addressed to it.

The '038 patent discloses LED control through a technique known as Pulse-Width Modulation (PWM). This technique can provide, through pulses of varying width, a way to control the intensity of the LED's as seen by the eye. Other techniques are also available for controlling the brightness of LED's and may be used with the invention. By mixing several hues of LED's, many colors can be produced that span a wide gamut of the visible spectrum. Additionally, by varying the relative intensity of LED's over time, a variety of color-changing and intensity varying effects can be produced. Other techniques for controlling the intensity of one or more LEDs are known in the art, and may be usefully employed with the systems described herein. In an embodiment, the processor 2 is a Microchip PIC processor 12C672 that controls LEDs through PWM, and the LEDs 4 are red, green and blue.

FIGS. 2A-2B are a state diagram of operation of a device according to the principles of the invention. The terms 'mode' and 'state' are used in the following description interchangeably. When the device is powered on, it may enter a first mode 8, for example, under control of a program executing on the processor 2 of FIG. 1. The first mode 8 may provide a color wash, in which the LEDs cycle continuously through the full color spectrum, or through some portion of the color spectrum. In the first mode 8, a rate of the color wash may be determined by a parameter stored, for example, in the memory 6 shown in FIG. 1A. Through a user interface such as a button, dial, slider, or the like, a user may adjust the rate of the color wash. Within each mode, the parameter may correspond to a different aspect of the lighting effect created by the mode, or each mode may access a different parameter so that persistence is maintained for a parameter during subsequent returns to that mode.

A second mode 9 may be accessed from the first mode 8. In the second mode 9, the device may randomly select a sequence of colors, and transition from one color to the next. The transitions may be faded to appear as continuous transitions, or they may be abrupt, changing in a single step from one random color to the next. The parameter may correspond to a rate at which these changes occur.

A third mode 10 may be accessed from the second mode 9. In the third mode, the device may provide a static, i.e., non-changing, color. The parameter may correspond to the frequency or spectral content of the color.

A fourth mode 11 may be accessed from the third mode 10. In the fourth mode 11, the device may strobe, that is, flash on and off. The parameter may correspond to the color of the strobe or the rate of the strobe. At a certain value, the parameter may correspond to other lighting effects, such as a strobe that alternates red, white, and blue, or a strobe that alternates green and red. Other modes, or parameters within a mode, may correspond to color changing effects coordinated with a specific time of the year or an event such as Valentine's Day, St. Patrick's Day, Easter, the Fourth of July, Halloween, Thanksgiving, Christmas, Hanukkah, New Years or any other time, event, brand, logo, or symbol.

A fifth mode 12 may be accessed from the fourth mode 11. The fifth mode 12 may correspond to a power-off state. In

7

the fifth mode **12**, no parameter may be provided. A next transition may be to the first mode **8**, or to some other mode. It will be appreciated that other lighting effects are known, and may be realized as modes or states that may be used with a device according to the principles of the invention.

A number of user interfaces may be provided for use with the device. Where, for example, a two-button interface is provided, a first button may be used to transition from mode to mode, while a second button may be used to control selection of a parameter within a mode. In this configuration, the second button may be held in a closed position, with a parameter changing incrementally until the button is released. The second button may be held, and a time that the button is held (until released) may be captured by the device, with this time being used to change the parameter. Or the parameter may change once each time that the second button is held and released. Some combination of these techniques may be used for different modes. For example, it will be appreciated that a mode having a large number of parameter values, such as a million or more different colors available through color changing LEDs, individually selecting each parameter value may be unduly cumbersome, and an approach permitting a user to quickly cycle through parameter values by holding the button may be preferred. By contrast, a mode with a small number of parameter values, such as five different strobe effects, may be readily controlled by stepping from parameter value to parameter value each time the second button is depressed.

A single button interface may instead be provided, where, for example, a transition between mode selections and parameter selections are signaled by holding the button depressed for a predetermined time, such as one or two seconds. That is, when the single button is depressed, the device may transition from one mode to another mode, with a parameter initialized at some predetermined value. If the button is held after it is depressed for the transition, the parameter value may increment (or decrement) so that the parameter may be selected within the mode. When the button is released, the parameter value may be maintained at its last value.

The interface may include a button and an adjustable input. The button may control transitions from mode to mode. The adjustable input may permit adjustment of a parameter value within the mode. The adjustable input may be, for example, a dial, a slider, a knob, or any other device whose physical position may be converted to a parameter value for use by the device. Optionally, the adjustable input may only respond to user input if the button is held after a transition between modes.

The interface may include two adjustable inputs. A first adjustable input may be used to select a mode, and a second adjustable input may be used to select a parameter within a mode. In another configuration, a single dial may be used to cycle through all modes and parameters in a continuous fashion. It will be appreciated that other controls are possible, including keypads, touch pads, sliders, switches, dials, linear switches, rotary switches, variable switches, thumb wheels, dual inline package switches, or other input devices suitable for human operation.

In one embodiment, a mode may have a plurality of associated parameters, each parameter having a parameter value. For example, in a color-changing strobe effect, a first parameter may correspond to a strobe rate, and a second parameter may correspond to a rate of color change. A device having multiple parameters for one or more modes may have a number of corresponding controls in the user interface.

8

The user interface may include user input devices, such as the buttons and adjustable controls noted above, that produce a signal or voltage to be read by the processor. They voltage may be a digital signal corresponding to a high and a low digital state. If the voltage is in the form of an analog voltage, an analog to digital converter (A/D) may be used to convert the voltage into a processor-useable digital form. The output from the A/D would then supply the processor with a digital signal. This may be useful for supplying signals to the lighting device through sensors, transducers, networks or from other signal generators.

The device may track time on an hourly, daily, weekly, monthly, or annual basis. Using an internal clock for this purpose, lighting effects may be realized on a timely basis for various Holidays or other events. For example, on Halloween the light may display lighting themes and color shows including, for example, flickering or washing oranges. On the Fourth of July, a red, white, and blue display may be provided. On December 25, green and red lighting may be displayed. Other themes may be provided for New Years, Valentine's Day, birthdays, etc. As another example, the device may provide different lighting effects at different times of day, or for different days of the week.

FIG. 3 shows a glow stick according to the principles of the invention. The glow stick **15** may include the components described above with reference to FIG. 1, and may operate according to the techniques described above with reference to FIGS. 2A-2B. The glow stick **15** may be any small, cylindrical device that may hang from a lanyard, string, chain, bracelet, anklet, key chain, or necklace, for example, by a clip **20**. The glow stick **15**, as with many of the lighting devices described herein, may also be used as a handheld device. The glow stick **15** may operate from a battery **30** within the glow stick **10**, such as an A, AA, AAA sized battery, or other battery. The battery **30** may be covered by a detachable portion **35** which hides the battery from view during normal use. An illumination lens **40** may encase a plurality of LEDs and diffuse color emanating therefrom. The lens **40** may be a light-transmissive material, such as a transparent material, translucent material, semi-transparent material, or other material suitable for this application. In general, the light-transmissive material may be any material that receives light emitted from one or more LEDs and displays one or more colors that are a combination of the spectra of the plurality of LEDs. A user interface **45** may be included for providing user input to control operation of the glow stick **15**. In the embodiment depicted in FIG. 2, the user interface **45** is a single button, however it will be appreciated that any of the interfaces discussed above may suitably be adapted to the glow stick **10**. The user interface **45** may be a switch, button or other device that generates a signal to a processor that controls operation of the glow stick **15**.

FIG. 4 shows a key chain according to the principles of the invention. The key chain **50** may include a light-transmissive material **51** enclosing one or more LEDs and a system such as the system of FIG. 1 (not shown), a one-button user interface **52**, a clip **53** suitable for connecting to a chain **54**, and one or more batteries **55**. The key chain **50** may be similar to the glow stick **15** of FIG. 2, although it may be of smaller size. To accommodate the smaller size, more compact batteries **55** may be used. The key chain **50** may operate according to the techniques described above with reference to FIGS. 2A-2B.

FIG. 5 shows a spotlight according to the principles of the invention. The spotlight **60** may include a system such as that depicted in FIG. 1 for controlling a plurality of LEDs

within the spotlight **60**, and may operate according to the techniques described above with reference to FIGS. **2A–2B**. The spotlight **60** may include a housing **65** suitable for use with convention lighting fixtures, such as those used with AC spotlights, and including a light-transmissive material on one end to permit LEDs to illuminate through the housing **65**. The spotlight configurations may be provided to illuminate an object or for general illumination for example and the material may not be required. The mixing of the colors may take place in the projection of the beam for example. The spotlight **60** may draw power for illumination from an external power source through a connection **70**, such as an Edison mount fixture, plug, bi-pin base, screw base, base, Edison base, spade plug, and power outlet plug or any other adapter for adapting the spotlight **60** to external power. The connection **70** may include a converter to convert received power to power that is useful for the spotlight. For example, the converter may include an AC to DC converter to convert one-hundred twenty Volts at sixty Hertz into a direct current at a voltage of, for example, five Volts or twelve Volts. The spotlight **60** may also be powered by one or more batteries **80**, or a processor in the spotlight **60** may be powered by one or more batteries **80**, with LEDs powered by electrical power received through the connection **70**. A battery case **90** may be integrated into the spotlight **60** to contain the one or more batteries **80**.

The connector **70** may include any one of a variety of adapters to adapt the spotlight **60** to a power source. The connector **70** may be adapted for, for example, a screw socket, socket, post socket, pin socket, spade socket, wall socket, or other interface. This may be useful for connecting the lighting device to AC power or DC power in existing or new installations. For example, a user may want to deploy the spotlight **60** in an existing one-hundred and ten VAC socket. By incorporating an interface to this style of socket into the spotlight **60**, the user can easily screw the new lighting device into the socket. U.S. patent application Ser. No. 09/213,537, entitled “Power/Data Protocol” describes techniques for transmitting data and power along the same lines and then extracting the data for use in a lighting device. The methods and systems disclosed therein could also be used to communicate information to the spotlight **60** of FIG. **4**, through the connector **70**.

FIG. **6** shows a spotlight according to the principles of the invention. The spotlight **100** may be similar to the spotlight of FIG. **4**. A remote user interface **102** may be provided, powered by one or more batteries **120** that are covered by a removable battery cover **125**. The remote user interface **102** may include, for example, one or more buttons **130** and a dial **140** for selecting modes and parameters. The remote user interface **102** may be remote from the spotlight **100**, and may transmit control information to the spotlight **100** using, for example, an infrared or radio frequency communication link, with corresponding transceivers in the spotlight **100** and the remote user interface **102**. The information could be transmitted through infrared, RF, microwave, electromagnetic, or acoustic signals, or any other transmission medium. The transmission could also be carried, for its complete path or a portion thereof, through a wire, cable, fiber optic, network or other transmission medium.

FIG. **7** shows an Edison mount light bulb according to the principles of the invention. The light bulb **150** may include a system such as that depicted in FIG. **1** for controlling a plurality of LEDs within the light bulb **150**, and may operate according to the techniques described above with reference to FIGS. **1B–1C**. The light bulb **150** may include a housing **155** suitable for use with convention lighting fixtures, such

as those used with AC light bulbs, and including a light-transmissive material on one end to permit LEDs to illuminate through the housing **155**. In the embodiment of FIG. **6**, the light bulb **150** includes a screw base **160**, and a user interface **165** in the form of a dial integrated into the body of the light bulb **150**. The dial may be rotated, as indicated by an arrow **170**, to select modes and parameters for operation of the light bulb **150**.

FIG. **8** shows an Edison mount light bulb according to the principles of the invention. The light bulb **180** is similar to the light bulb **150** of FIG. **6**, with a different user interface. The user interface of the light bulb **180** includes a thumbwheel **185** and a two-way switch **190**. In this embodiment, the switch **190** may be used to move forward and backward through a sequence of available modes. For example, if the light bulb **180** has four modes numbered **1–4**, by sliding the switch **190** to the left in FIG. **7**, the mode may move up one mode, i.e., from mode **1** to mode **2**. By sliding the switch **190** to the right in FIG. **7**, the mode may move down one mode, i.e., from mode **2** to mode **1**. The switch **190** may include one or more springs to return the switch **190** to a neutral position when force is not applied. The thumbwheel **185** may be constructed for endless rotation in a single direction, in which case a parameter controlled by the thumbwheel **185** may reset to a minimum value after reaching a maximum value (or vice versa). The thumbwheel may be constructed to have a predefined span, such as one and one-half rotations. In this latter case, one extreme of the span may represent a minimum parameter value and the other extreme of the span may represent a maximum parameter value. In an embodiment, the switch **190** may control a mode (left) and a parameter (right), and the thumbwheel **185** may control a brightness of the light bulb **180**.

A light bulb such as the light bulb **180** of FIG. **7** may also be adapted to control through conventional lighting control systems. Many incandescent lighting systems have dimming control that is realized through changes in applied voltages, typically either through changes to applied voltages or chopping an AC waveform. A power converter can be used within the light bulb **180** to convert the received power, whether in the form of a variable amplitude AC signal or a chopped waveform, to the requisite power for the control circuitry and the LEDs, and where appropriate, to maintain a constant DC power supply for digital components. An analog-to-digital converter may be included to digitize the AC waveform and generate suitable control signals for the LEDs. The light bulb **180** may also detect and analyze a power supply signal and make suitable adjustments to LED outputs. For example, a light bulb **180** may be programmed to provide consistent illumination whether connected to a one-hundred and ten VAC, 60 Hz power supply or a two-hundred and twenty VAC, 50 Hz power supply.

Control of the LEDs may be realized through a look-up table that correlates received AC signals to suitable LED outputs for example. The look-up table may contain full brightness control signals and these control signals may be communicated to the LEDs when a power dimmer is at 100%. A portion of the table may contain 80% brightness control signals and may be used when the input voltage to the lamp is reduced to 80% of the maximum value. The processor may continuously change a parameter with a program as the input voltage changes. The lighting instructions could be used to dim the illumination from the lighting system as well as to generate colors, patterns of light, illumination effects, or any other instructions for the LEDs. This technique could be used for intelligent dimming of the lighting device, creating color-changing effects using con-

11

ventional power dimming controls and wiring as an interface, or to create other lighting effects. In an embodiment both color changes and dimming may occur simultaneously. This may be useful in simulating an incandescent dimming system where the color temperature of the incandescent light becomes warmer as the power is reduced.

Three-way light bulbs are also a common device for changing illumination levels. These systems use two contacts on the base of the light bulb and the light bulb is installed into a special electrical socket with two contacts. By turning a switch on the socket, either contact on the base may be connected with a voltage or both may be connected to the voltage. The lamp includes two filaments of different resistance to provide three levels of illumination. A light bulb such as the light bulb **180** of FIG. 7 may be adapted to use with a three-way light bulb socket. The light bulb **180** could have two contacts on the base and a look-up table, a program, or other system within the light bulb **180** could contain control signals that correlate to the socket setting. Again, this could be used for illumination control, color control or any other desired control for the LEDs.

This system could be used to create various lighting effects in areas where standard lighting devices were previously used. The user can replace existing incandescent light bulbs with an LED lighting device as described herein, and a dimmer on a wall could be used to control color-changing effects within a room. Color changing effects may include dimming, any of the color-changing effects described above, or any other color-changing or static, colored effects.

FIG. 9 shows a light bulb according to the principles of the invention. As seen in FIG. 8, the light bulb **200** may operate from fixtures other than Edison mount fixtures, such as an MR-16, low voltage fixture **210** that may be used with direct current power systems.

FIG. 10 shows a wall socket mounted light according to the principles of the invention. The light **210** may include a plug adapted to, for example, a one-hundred and ten volt alternating current outlet **220** constructing according to ANSI specifications. The light **210** may include a switch and thumbwheel as a user interface **230**, and one or more spades **240** adapted for insertion into the outlet **220**. The body of the light **210** may include a reflective surface for directing light onto a wall for color changing wall washing effects.

FIG. 11 shows a night light according to the principles of the invention. The night light **242** may include a plug **244** adapted to, for example, a one-hundred and ten volt alternating current outlet **246**. The night light **242** may include a system such as that depicted in FIG. 1 for controlling a plurality of LEDs within the night light **242**, and may operate according to the techniques described above with reference to FIGS. 1B–1C. The night light **242** may include a light-transmissive material **248** for directing light from the LEDs, e.g., in a downward direction. The night light **242** may also include a sensor **250** for detecting low ambient lighting, such that the night light **242** may be activated only when low lighting conditions exist. The sensor **250** may generate a signal to the processor to control activation and display type of the night light **242**. The night light **242** may also include a clock/calendar, such as that the seasonal lighting displays described above may be realized. The night light **242** may include a thumbwheel **260** and a switch **270**, such as those described above, for selecting a mode and a parameter. As with several of the above embodiments, the night light **242** may include a converter that generates DC power suitable to the control circuitry of the night light **242**.

12

FIG. 12 shows a night light according to the principles of the invention. The night light **320** may include a plug **330** adapted to, for example, a one-hundred and ten volt alternating current outlet **340**. The night light **320** may include a system such as that depicted in FIG. 1 for controlling a plurality of LEDs within the night light **320**, and may operate according to the techniques described above with reference to FIGS. 1B–1C. The night light **320** may include a light-transmissive dome **345**. The night light **320** may also include a sensor within the dome **345** for detecting low ambient lighting, such that the night light **320** may be automatically activated when low lighting conditions exist. The night light **320** may also include a clock/calendar, such as that the seasonal lighting displays described above may be realized. In the embodiment of FIG. 11, the dome **345** of the night light **320** may also operate as a user interface. By depressing the dome **345** in the direction of a first arrow **350**, a mode may be selected. By rotating the dome **345** in the direction of a second arrow **355**, a parameter may be selected within the mode. As with several of the above embodiments, the night light **220** may include a converter that generates DC power suitable to the control circuitry of the night light **220**.

As will be appreciated from the foregoing examples, an LED system such as that described in reference to FIGS. 1 & 2A–2B may be adapted to a variety of lighting applications, either as a replacement for conventional light bulbs, including incandescent light bulbs, halogen light bulbs, tungsten light bulbs, fluorescent light bulbs, and so forth, or as an integrated lighting fixture such as a desk lamp, vase, night light, lantern, paper lantern, designer night light, strip light, cove light, MR light, wall light, screw based light, lava lamp, orb, desk lamp, decorative lamp, string light, or camp light. The system may have applications to architectural lighting, including kitchen lighting, bathroom lighting, bedroom lighting, entertainment center lighting, pool and spa lighting, outdoor walkway lighting, patio lighting, building lighting, facade lighting, fish tank lighting, or lighting in other areas where light may be employed for aesthetic effect. The system could be used outdoors in sprinklers, lawn markers, pool floats, stair markers, in-ground markers, or door bells, or more generally for general lighting, ornamental lighting, and accent lighting in indoor or outdoor venues. The systems may also be deployed where functional lighting is desired, as in brake lights, dashboard lights, or other automotive and vehicle applications.

Color-changing lighting effects may be coordinated among a plurality of the lighting devices described herein. Coordinated effects may be achieved through conventional lighting control mechanisms where, for example, each one of a plurality of lighting devices is programmed to respond differently, or with different start times, to a power-on signal or dimmer control signal delivered through a conventional home or industrial lighting installation.

Each lighting device may instead be addressed individually through a wired or wireless network to control operation thereof. The LED lighting devices may have transceivers for communicating with a remote control device, or for communicating over a wired or wireless network.

It will be appreciated that a particular lighting application may entail a particular choice of LED. Pre-packaged LEDs generally come in a surface mount package or a T package. The 18 surface mount LEDs have a very large beam angle, the angle at which the light intensity drops to 50% of the maximum light intensity, and T packages may be available in several beam angles. Narrow beam angles project further with relatively little color mixing between adjacent LEDs.

13

This aspect of certain LEDs may be employed for projecting different colors simultaneously, or for producing other effects. Wider angles can be achieved in many ways such as, but not limited to, using wide beam angle T packages, using surface mount LEDs, using un-packaged LEDs, using chip on board technology, or mounting the die on directly on a substrate as described in U.S. Prov. Patent App. No. 60/235, 966, entitled "Optical Systems for Light Emitting Semiconductors." A reflector may also be associated with one or more LEDs to project illumination in a predetermined pattern. One advantage of using the wide-beam-angle light source is that the light can be gathered and projected onto a wall while allowing the beam to spread along the wall. This accomplishes the desired effect of concentrating illumination on the wall while colors projected from separate LEDs mix to provide a uniform color.

FIG. 13 illustrates a lighting device 1200 with at least one LED 1202. There may be a plurality of LEDs 1202 of different colors, or a plurality of LEDs 1202 of a single color, such as to increase intensity or beam width of illumination for that color, or a combination of both. A reflector including a front section 1208 and a rear section 1210 may also be included in the device 1200 to project light from the LED. This reflector can be formed as several pieces or one piece of reflective material. The reflector may direct illumination from the at least one LED 1202 in a predetermined direction, or through a predetermined beam angle. The reflector may also gather and project illumination scattered by the at least one LED 1202. As with other examples, the lighting device 1200 may include a light-transmissive material 1212, a user interface 1214, and a plug 1216.

FIG. 14 shows another embodiment of a wall washing light according to the principles of the invention. The night light 1300 may include an optic 1302 formed from a light-transmissive material and a detachable optic 1304. The detachable optic 1304 may fit over the optic 1302 in a removable and replaceable fashion, as indicated by an arrow 1306, to provide a lighting effect, which may include filtering, diffusing, focusing, and so forth. The detachable optic 1304 may direct illumination from the night light 1300 into a predetermined shape or image, or spread the spectrum of the illumination in a prismatic fashion. The detachable optic 1304 may, for example, have a pattern etched into including, for example, a saw tooth, slit, prism, grating, squares, triangles, half-tone screens, circles, semi-circles, stars or any other geometric pattern. The pattern can also be in the form of object patterns such as, but not limited to, trees, stars, moons, suns, clovers or any other object pattern. The detachable optic 1304 may also be a holographic lens. The detachable optic 1304 may also be an anamorphic lens configured to distort or reform an image. These patterns can also be formed such that the projected light forms a non-distorted pattern on a wall, provided the geometric relationship between the wall and the optic is known in advance. The pattern could be designed to compensate for the wall projection. Techniques for applying anamorphic lenses are described, for example, in "Anamorphic Art and Photography—Deliberate Distortions That Can Be Easily Undone," *Optics and Photonics News*, November 1992, the teachings of which are incorporated herein by reference. The detachable optic 1304 may include a multi-layered lens. At least one of the lenses in a multi-layered lens could also be adjustable to provide the user with adjustable illumination patterns.

FIG. 15 shows a lighting device according to the principles of the invention. The lighting device 1500 may be any of the lighting devices described above. The lighting device

14

may include a display screen 1502. The display screen 1502 can be any type of display screen such as, but not limited to, an LCD, plasma screen, backlit display, edgelit display, monochrome screen, color screen, screen, or any other type of display. The display screen 1502 could display information for the user such as the time of day, a mode or parameter value for the lighting device 1500, a name of a mode, a battery charge indication, or any other information useful to a user of the lighting device 1500. A name of a mode may be a generic name, such as 'strobe', 'static', and so forth, or a fanciful name, such as 'Harvard' for a crimson illumination or 'Michigan' for a blue-yellow fade or wash. Other names may be given to, and displayed for, modes relating to a time of the year, holidays, or a particular celebration. Other information may be displayed, including a time of the day, days left in the year, or any other information. The display information is not limited to characters; the display screen 1502 could show pictures or any other information. The display screen 1502 may operate under control of the processor 2 of FIG. 1. The lighting device 1500 may include a user interface 1504 to control, for example the display screen 1502, or to set a time or other information displayed by the display screen 1502, or to select a mode or parameter value.

The lighting device 1500 may also be associated with a network, and receive network signals. The network signals could direct the night-light to project various colors as well as depict information on the display screen 1502. For example, the device could receive signals from the World Wide Web and change the color or projection patterns based on the information received. The device may receive outside temperature data from the Web or other device and project a color based on the temperature. The colder the temperature the more saturated blue the illumination might become, and as the temperature rises the lighting device 1500 might project red illumination. The information is not limited to temperature information. The information could be any information that can be transmitted and received. Another example is financial information such as a stock price. When the stock price rises the projected illumination may turn green, and when the price drops the projected illumination may turn red. If the stock prices fall below a predetermined value, the lighting device 1500 may strobe red light or make other indicative effects.

It will be appreciated that systems such as those described above, which receive and interpret data, and generate responsive color-changing illumination effects, may have broad application in areas such as consumer electronics. For example, information be obtained, interpreted, and converted to informative lighting effects in devices such as a clock radio, a telephone, a cordless telephone, a facsimile machine, a boom box, a music box, a stereo, a compact disk player, a digital versatile disk player, an MP3 player, a cassette player, a digital tape player, a car stereo, a television, a home audio system, a home theater system, a surround sound system, a speaker, a camera, a digital camera, a video recorder, a digital video recorder, a computer, a personal digital assistant, a pager, a cellular phone, a computer mouse, a computer peripheral, or an overhead projector.

FIG. 16 depicts a modular unit. A lighting device 1600 may contain one or more LEDs and a decorative portion of a lighting fixture. An interface box 1616 could contain a processor, memory, control circuitry, and a power supply to convert the AC to DC to operate the lighting device 1600. The interface box 1616 may have standard power wiring 1610 to be connected to a power connection 1608. The

15

interface box **1616** can be designed to fit directly into a standard junction box **1602**. The interface box **1616** could have physical connection devices **1612** to match connections on a backside **1604** of the lighting device **1600**. The physical connection **18** devices **1612** could be used to physically mount the lighting device **1600** onto the wall. The interface box **1616** could also include one or more electrical connections **1614** to bring power to the lighting device **1600**. The electrical connections **1614** may include connections for carrying data to the interface box **1616**, or otherwise communicating with the interface box **1616** or the lighting device **1600**. The connections **1614** and **1612** could match connections on the backside **1604** of the lighting device **1600**. This would make the assembly and changing of lighting devices **1600** easy. These systems could have the connectors **1612** and **1614** arranged in a standard format to allow for easy changing of lighting devices **1600**. It will be obvious to one with ordinary skill in the art that the lighting fixture **1600** could also contain some or all of the circuitry.

The lighting devices **1600** could also contain transmitters and receivers for transmitting and receiving information. This could be used to coordinate or synchronize several lighting devices **1600**. A control unit **1618** with a display screen **1620** and interface **1622** could also be provided to set the modes of, and the coordination between, several lighting devices **1600**. This control unit **1618** could control the lighting device **1600** remotely. The control unit **1618** could be placed in a remote area of the room and communicate with one or more lighting devices **1600**. The communication could be accomplished using any communication method such as, but not limited to, RF, IR, microwave, acoustic, electromagnetic, cable, wire, network or other communication method. Each lighting device **1600** could also have an addressable controller, so that each one of a plurality of lighting devices **1600** may be individually accessed by the control unit **1618**, through any suitable wired or wireless network.

FIG. **17** shows a modular topology for a lighting device. In this modular configuration, a light engine **1700** may include a plurality of power connectors **1704** such as wires, a plurality of data connectors **1706**, such as wires, and a plurality of LEDs **1708**, as well as the other components described in reference to FIGS. **1** and **2A-2B**, enclosed in a housing **1710**. The light engine **1700** may be used in lighting fixtures or as a stand-alone device. The modular configuration may be amenable to use by lighting designers, architects, contractors, technicians, users or other people designing or installing lighting, who may provide predetermined data and power wiring throughout an installation, and locate a light engine **1700** at any convenient location therein.

Optics may be used to alter or enhance the performance of illumination devices. For example, reflectors may be used to redirect LED radiation, as described in U.S. patent application Ser. No. 60/235,966 "Optical Systems for Light Emitting Semiconductors," the teachings of which are incorporated herein by reference. U.S. patent application Ser. No. 60/235,966 is incorporated by reference herein.

FIG. **18** shows a reflector that may be used with the systems described herein. As shown in FIG. **18**, a contoured reflective surface **1802** may be placed apart from a plurality of LEDs **1804**, such that radiation from the LEDs **1804** is directed toward the reflective surface **1802**, as indicated by arrows **1806**. In this configuration, radiation from the LEDs **1804** is redirected out in a circle about the reflective surface **1802**. The reflective surface **1802** may have areas of imperfections or designs to create projection effects. The LEDs **1804** can be arranged to uniformly project the light onto the

16

reflector or they can be arranged with a bias to increase the illumination on certain sections of the reflector. The individual LEDs **1804** of the plurality of LEDs **1804** can also be independently controlled. This technique can be used to create light patterns or color effects.

FIG. **19** illustrates a reflector design where an LED **1900** is directed toward a generally parabolic reflector **1902**, as indicated by an arrow **1903**. The generally parabolic reflector **1902** may include a raised center portion **1904** to further focus or redirect radiation from the LED **1900**. As shown by a second LED **1906**, a second generally parabolic reflector **1908**, and a second arrow **1910**, the raised center portion **1904** may be omitted in some configurations. It will be appreciated that the LED **1900** in this configuration, or in the other configurations described herein using reflective surfaces, may be in any package or without a package. Where no package is provided, the LED may be electrically connected on an n-side and a p-side to provide the power for operation. As shown in FIG. **20**, a line of LEDs **2000** may be directed toward a planar reflective surface **2002** that directs the line of LEDs **2000** in two opposite planar directions. As shown in FIG. **21**, a line of LEDs **2100** may be directed toward a planar surface **2102** that directs the line of LEDs **2100** in one planar direction.

A system such as that described in reference to FIG. **1** may be incorporated into a toy, such as a ball. Control circuitry, a power supply, and LEDs may be suspended or mounted inside the ball, with all or some of the ball exterior formed of a light-transmissive material that allows LED color-changing effects to be viewed. Separate portions of the exterior may be formed from different types of light-transmissive material, or may be illuminated by different groups of LEDs to provide the exterior of the ball to be illuminated in different manners over different regions of its exterior.

The ball may operate autonomously to generate color-changing effects, or may respond to signals from an activation switch that is associated with control circuit. The activation switch may respond to force, acceleration, temperature, motion, capacitance, proximity, Hall effect or any other stimulus or environmental condition or variable. The ball could include one or more 18 activations switches and the control unit can be pre-programmed to respond to the different switches with different color-changing effects. The ball may respond to an input with a randomly selected color-changing effect, or with one of a predetermined sequence of color-changing effects. If two or more switches are incorporated into the ball, the LEDs may be activated according to individual or combined switch signals. This could be used, for example, to create a ball that has subtle effects when a single switch is activated, and dramatic effects when a plurality of switches are activated.

The ball may respond to transducer signals. For example, one or more velocity or acceleration transducers could detect motion in the ball. Using these transducers, the ball may be programmed to change lighting effects as it spins faster or slower. The ball could also be programmed to produce different lighting effects in response to a varying amount of applied force. There are many other useful transducers, and methods of employing them in a color-changing ball.

The ball may include a transceiver. The ball may generate color-changing effects in response to data received through the transceiver, or may provide control or status information to a network or other devices using the transceiver. Using the transceiver, the ball may be used in a game where several balls communicate with each other, where the ball commu-

nicates with other devices, or communicates with a network. The ball could then initiate these other devices or network signals for further control.

A method of playing a game could be defined where the play does not begin until the ball is lighted or lighted to a particular color. The lighting signal could be produced from outside of the playing area by communicating through the transceiver, and play could stop when the ball changes colors or is turned off through similar signals. When the ball passes through a goal the ball could change colors or flash or make other lighting effects. Many other games or effects during a game may be generated where the ball changes color when it moves too fast or it stops. Color-changing effects for play may respond to signals received by the transceiver, respond to switches and/or transducers in the ball, or some combination of these. The game hot potato could be played where the ball continually changes colors, uninterrupted or interrupted by external signals, and when it suddenly or gradually changes to red or some other predefined color you have to throw the ball to another person. The ball could have a detection device such that if the ball is not thrown within the predetermined period it initiates a lighting effect such as a strobe. A ball of the present invention may have various shapes, such as spherical, football-shaped, or shaped like any other game or toy ball.

As will be appreciated from the foregoing examples, an LED system such as that described in reference to FIGS. 1 & 2A-2B may be adapted to a variety of color-changing toys and games. For example, color-changing effects may be usefully incorporated into many games and toys, including a toy gun, a water gun, a toy car, a top, a gyroscope, a dart board, a bicycle, a bicycle wheel, a skateboard, a train set, an electric racing car track, a pool table, a board game, a hot potato game, a shooting light game, a wand, a toy sword, an action figure, a toy truck, a toy boat, sports apparel and equipment, a glow stick, a kaleidoscope, or magnets. Color-changing effects may also be usefully incorporated into branded toys such as a View Master, a Super Ball, a Lite Brite, a Harry Potter wand, or a Tinkerbell wand.

FIG. 22 is a block diagram of an embodiment of a device according to the principles of the invention having internal illumination circuitry. The device 2200 is a wearable accessory that may include a system such as that described with reference to FIGS. 1 and 2A-2B. The device may have a body 2201 that includes a processor 2202, driving circuitry 2204, one or more LEDs 2206, and a power source 2208. The device 2200 may optionally include input/output 2210 that serves as an interface by which programming may be received to control operation of the device 2200. The body 2201 may include a light-transmissive portion that is transparent, translucent, or translucent-diffusing for permitting light from the LEDs 2206 to escape from the body 2200. The LEDs 2206 may be mounted, for example, along an external surface of a suitable diffusing material. The LEDs 2206 may be placed inconspicuously along the edges or back of the diffusing material. Surface mount LED's may be secured directly to the body 2200 on an interior surface of a diffusing material.

The input/output 2210 may include an input device such as a button, dial, slider, switch or any other device described above for providing input signals to the device 2200, or the input/output 2210 may include an interface to a wired connection such as a Universal Serial Bus connection, serial connection, or any other wired connection, or the input/output 2210 may include a transceiver for wireless connections such as infrared or radio frequency transceivers. In an embodiment, the wearable accessory may be configured to

communicate with other wearable accessories through the input/output 2210 to produce synchronized lighting effects among a number of accessories. For wireless transmission, the input/output 2210 may communicate with a base transmitter using, for example, infrared or microwave signals to transmit a DMX or similar communication signal. The autonomous accessory would then receive this signal and apply the information in the signal to alter the lighting effect so that the lighting effect could be controlled from the base transmitter location. Using this technique, several accessories may be synchronized from the base transmitter. Information could also then be conveyed between accessories relating to changes of lighting effects. In one instantiation, the input/output 2210 may include a transmitter such as an Abacom TXM series device, which is small and low power and uses the 400 Mhz spectrum. Using such a network, multiple accessories on different people, can be synchronized to provide interesting effects including colors bouncing from person to person or simultaneous and synchronized effects across several people. A number of accessories on the same person may also be synchronized to provide coordinated color-changing effects. A system according to the principle of the invention may be controlled though a network as described herein. The network may be a personal, local, wide area or other network. The Blue Tooth standard may be an appropriate protocol to use when communicating to such systems although any protocol could be used.

The input/output 2210 may include sensors for environmental measurements (temperature, ambient sound or light), physiological data (heart rate, body temperature), or other measurable quantities, and these sensor signals may be used to produce color-changing effects that are functions of these measurements.

A variety of decorative devices can be used to give form to the color and light, including jewelry and clothing. For example, these could take the form of a necklaces, tiaras, ties, hats, brooches, belt-buckles, cuff links, buttons, pins, rings, or bracelets, anklets etc. Some examples of shapes for the body 2201, or the light-transmissive portion of the body, icons, logos, branded images, characters, and symbols (such as ampersands, dollar signs, and musical notes). As noted elsewhere, the system may also be adapted to other applications such as lighted plaques or tombstone signs that may or may not be wearable.

FIG. 23 is a schematic diagram of an embodiment of a device according to the principles of the invention having external illumination circuitry. As shown in FIG. 23, a wearable accessory 2300 may include a first housing 2302 such as a wearable accessory that includes one or more LED's 2304. Illumination circuitry including a processor 2306, controllers 2308, a power source 2310, and an input/output 2312 are external to the first housing 2302 and may be included in a second housing 2314. A link 2316 is provided so that the illumination circuitry may communicate drive signals to the LEDs 2304 within the first housing 2302. This configuration may be convenient for applications where the first housing 2302 is a small accessory or other wearable accessory that may be connected to remote circuitry, as in, for example, the buttons of a shirt. It will be appreciated that while all of the illumination circuitry except for the LEDs 2304 are shown as external to the first housing 2302, one or more of the components may be included within the first housing 2302.

FIG. 24 depicts an autonomous color-changing shoe according to the principles of the invention. A shoe 2400 includes a main portion 2402, a heel 2404, a toe 2406, and

a sole **2408**. The main portion **2402** is adapted to receive a human foot, and may be fashioned of any material suitable for use in a shoe. The heel **2402** may be formed of a translucent, diffusing material, and may have embedded therein a system such as that described with reference to FIGS. **1** and **2A–2B**. In addition to, or instead of a heel **2402** with autonomous color changing ability, another portion of the shoe **2400** may include an autonomous color changing system, such as the toe **2406**, the sole **2408**, or any other portion. A pair of shoes may be provided, each including an input/output system so that the two shoes may communicate with one another to achieve synchronized color changing effects. In an embodiment of the shoe **2400**, circuitry may be placed within a sole **2408** of the shoe, with wires for driving LED's that are located within the heel **2404** or the toe **2406**, or both.

As will be appreciated from the foregoing example, the systems disclosed herein may have wide application to a variety of wearable and ornamental objects. Apparel employing the systems may include coats, shirts, pants, clothing, shoes, footwear, athletic wear, accessories, jewelry, backpacks, dresses, hats, bracelets, umbrellas, pet collars, luggage, and luggage tags. Ornamental objects employing the systems disclosed herein may include picture frames, paper weights, gift cards, bows, and gift packages.

Color-changing badges and other apparel may have particular effect in certain environments. The badge, for example, can be provided with a translucent, semi-translucent or other material and one or more LEDs can be arranged to provide illumination of the material. In a one embodiment, the badge would contain at least one red, one blue and one green LED and the LEDs would be arranged to edge light the material. The material may have a pattern such that the pattern reflects the light. The pattern may be etched into the material such that the pattern reflects the light traveling through the material and the pattern appears to glow. When the three colors of LEDs are provided, many color changing effects can be created. This may create an eye-catching effect and can bring attention to a person wearing the badge, a useful attention-getter in a retail environment, at a trade show, when selling goods or services, or in any other situation where drawing attention to one's self may be useful.

The principle of edge lighting a badge to illuminate etched patterns can be applied to other devices as well, such as an edge lit sign. A row of LEDs may be aligned to edge light a material and the material may have a pattern. The material may be lit on one or more sides and reflective material may be used on the opposing edges to prevent the light from escaping at the edges. The reflective material also tends to even the surface illumination. These devices can also be backlit or lit through the material in lieu of, or in addition to, edge lighting.

FIG. **25** depicts an LED device according to the invention. The device **2500** may include a processor **2502** and one or more LEDs **2504** in a configuration such as that described in reference to FIGS. **1** and **2A–2B**. The device **2500** may be adapted for use with icicles formed from light-transmissive material. The icicles may be mock icicles formed from plastic, glass, or some other material, and may be rendered in a highly realistic, detailed fashion, or in a highly stylized, abstract fashion. A number of color-changing icicles are described below.

FIG. **26** illustrates a lighted icicle **2600**, where an LED lighting device **2602** such as that described in FIGS. **1**, **2A–2B**, and **25** is used to provide the illumination for an icicle **2604**. The icicle **2604** could be formed from a material

such as a semi-transparent material, a semi-translucent material, a transparent material, plastic, paper, glass, ice, a frozen liquid or any other material suitable for forming into an icicle and propagating LED radiation. The icicle **2604** may be hollow, or may be a solid formed from light-transmissive material. The illumination from the lighting device **2602** is directed at the icicle **2604** and couples with the icicle **2604**. The icicle material may have imperfections to provide various lighting effects. One such effect is created when a primarily transparent material contains a pattern of defects. The defects may redirect the light passing through or along the material, causing bright spots or areas to appear in the illuminated material. If these imperfections are set in a pattern, the pattern will appear bright while the other areas will not appear lighted. The imperfections can also substantially cover the surface of the icicle **2604** to produce a frosted appearance. Imperfections that substantially uniformly cover the surface of the icicle **2604** may create an effect of a uniformly illuminated icicle.

The icicle **2604** can be lit with one or more LEDs to provide illumination. Where one LED is used, the icicle **2604** may be lit with a single color with varying intensity or the intensity may be fixed. In one embodiment, the lighted icicle **2600** includes more than one LED and in another embodiment the LEDs are different colors. By providing a lighted icicle **2600** with different colored LEDs, the hue, saturation and brightness of the lighted icicle **2600** can be changed. The two or more LEDs can be used to provide additive color. If two LEDs were used in the lighted icicle **2600** with circuitry to turn each color on or off, four colors could be produced including black when neither LED is energized. Where three LEDs are used in the lighted icicle **2600** and each LED has three intensity settings, 3^3 or 27 color selections are available. In one embodiment, the LED control signals would be PWM signals with eight bits ($=128$ combinations) of resolution. Using three different colored LEDs, this provides 128^3 or 16.7 million available colors.

FIG. **27** illustrates a plurality of icicles sharing a network. A plurality of lighted icicles **2700** each include a network interface to communicate over a network **2702**, such as any of the networks mentioned above. The network **2704** may provide lighting control signals to each of the plurality of lighted icicles **2700**, each of which may be uniquely addressable. Where the lighted icicles **2700** are not uniquely addressable, control information may be broadcast to all of the lighted icicles **2700**. A control data source **2706**, such as a computer or any of the other controls mentioned above, may provide control information to the lighted icicles **2700** through a network transceiver **2708** and the network **2704**. One of the lighted icicles **2700** could also operate as a master icicle, providing control information to the other lighted icicles **2700**, which would be slave icicles. The network **2704** may be used generally to generate coordinated or uncoordinated color-changing lighting effects from the plurality of lighted icicles.

One or more of the plurality of lighted icicles **2700** may also operate in a stand-alone mode, and generate color-changing effects separate from the other lighted icicles **2700**. The lighted icicles **2700** could be programmed, over the network **2704**, for example, with a plurality of lighting control routines to be selected by the user such as different solid colors, slowly changing colors, fast changing colors, strobing light, or any other lighting routines. The selector switch could be used to select the program. Another method of selecting a program would be to turn the power to the icicle off and then back on within a predetermined period of time. For example, non-volatile memory could be used to

provide an icicle that remembers the last program it was running prior to the power being shut off. A capacitor could be used to keep a signal line high for 10 seconds and if the power is cycled within this period, the system could be programmed to skip to the next program. If the power cycle takes more than 10 seconds, the capacitor discharges below the high signal level and the previous program is recalled upon re-energizing the system. Other methods of cycling through programs or modes of operation are known, and may be suitably adapted to the systems described herein.

FIG. 28 depicts an icicle 2800 having a flange 2802. The flange 2802 may allow easy mounting of the icicle 2800. In one embodiment, the flange 2802 is used such that the flange couples with a ledge 2808 while the remaining portion of the icicle 2800 hangs through a hole formed by the ledge 2808. This method of attachment is useful where the icicles can hang through existing holes or holes can be made in the area where the icicles 2800 are to be displayed. Other attachment methods are known, and may be adapted to use with the invention.

FIG. 29 shows an icicle according to the principles of the invention. A plurality of LEDs 2900 may be disposed in a ring 2902. The ring 2902 may be engaged to a flange 2904 of an icicle 2906. Arranged in this manner, the LEDs 2900 may radiate illumination that is transmitted through icicle 2906. If the ring 2902 is shaped and sized so that the LEDs 2900 directly couple to the flange 2904, then the icicle 2906 will be edge-lit. The ring 2902 may instead be smaller in diameter than the flange 2904, so that the LEDs 2900 radiate into a hollow cavity 2908 in the icicle 2906, or onto a top surface of the icicle 2906 if the icicle 2906 is formed of a solid material.

FIG. 30 depicts a solid icicle 3000 which may be in the form of a rod or any other suitable form, with one or more LEDs 3002 positioned to project light into the solid icicle 3000.

FIG. 31 depicts a rope light according to the principles of the invention. The rope light 3100 may include a plurality of LEDs or LED subsystems 3102 according to the description provided in reference to FIGS. 1 and 2A-2B. In one embodiment, three LED dies of different colors may be packaged together in each LED subsystem 3102, with each die individually controllable. A plurality of these LED subsystems 3102 may be disposed inside of a tube 3102 that is flexible and semi-transparent. The LED subsystems 3102 may be spaced along the tube 3104, for example, at even intervals of every six inches, and directed along an axis 3106 of the tube 3104. The LED subsystems 3102 may be controlled through any of the systems and methods described above. In one embodiment, a number of LED subsystems 3102 may be controlled by a common signal, so that a length of tube 3104 of several feet or more may appear to change color at once. The tube 3104 may be fashioned to resemble a rope, or other cylindrical material or object. The LED subsystems 3102 may be disposed within the tube 3104 in rings or other geometric or asymmetric patterns. The LED subsystems 3102 could also be aligned to edge light the tube 3104, as described above. A filter or film may be provided on an exterior surface or an interior surface of the tube 3104 to create pleasing visual effects.

Other consumer products may be realized using the systems and methods described herein. A hammer may generate color-changing effects in response to striking a nail; a kitchen timer may generate color-changing effects in response to a time countdown, a pen may generate color-changing effects in response to the act of writing therewith, or an electric can opener may generate color-changing

effects when activated. While the invention has been disclosed in connection with the preferred embodiments shown and described in detail, various modifications and improvements thereon will become readily apparent to those skilled in the art. Accordingly, the spirit and scope of the present invention is to be limited only by the following claims.

We claim:

1. A lighting system, comprising:
 - two or more LEDs configured to produce at least two different spectra of radiation;
 - a processor including a memory;
 - a controller configured to control power delivered to at least one of the two or more LEDs, the controller being responsive to at least one signal communicated to the controller from the processor;
 - a light-transmissive material, wherein the two or more LEDs are arranged such that at least some of the radiation passes through the light-transmissive material and exits as variable color radiation; and
 - a user interface coupled to the processor, wherein:
 - the user interface supplies a user interface signal to the processor, the user interface signal including at least one of a logic high signal and a logic low signal; and
 - the processor selects a program from the memory upon receipt of the user interface signal, wherein the program, when executed by the processor, controls at least a color of the variable color radiation.
2. The lighting system of claim 1, wherein the processor adjusts a parameter of the program upon receipt of the user interface signal.
3. A lighting system comprising:
 - two or more LEDs configured to produce at least two different spectra of radiation;
 - a processor including a memory;
 - a controller configured to control power delivered to at least one of the two or more LEDs, the controller being responsive to at least one signal communicated to the controller from the processor;
 - a light-transmissive material, wherein the two or more LEDs are arranged such that at least some of the radiation passes through the light-transmissive material; and
 - a user interface coupled to the processor, wherein:
 - the user interface supplies a user interface signal to the processor, the user interface signal including at least one of a logic high signal and a logic low signal; and
 - the processor selects a program from the memory upon receipt of the user interface signal, wherein the processor further comprises a timer configured to measure a duration of the user interface signal, and wherein the processor adjusts a parameter of the program upon receipt of a predetermined duration of the user interface signal.
4. The lighting system of claim 3, wherein the parameter continues to change until the user interface signal changes.
5. The lighting system of claim 1, further comprising a housing wherein the two or more LEDs, the processor, the memory, and the controller are substantially enclosed by the housing, and wherein the user interface and the light-transmissive material are integrated with the housing.
6. The lighting system of claim 1, further comprising:
 - a first housing configured to substantially enclose the processor, the memory, and the controller; and
 - a second housing configured to substantially enclose the at least two LEDs, wherein the light-transmissive material is integrated with the second housing.

23

7. The lighting system of claim 1, wherein the light-transmissive material comprises at least one of a semitransparent material, a translucent material, a semitransparent material and a transparent material.

8. The lighting system of claim 1, wherein the controller comprises at least one of a pulse width modulator, a pulse amplitude modulator, a pulse displacement modulator, a resistor ladder, a current source, a voltage source, a voltage ladder, a switch, a transistor, and a voltage controller.

9. The lighting system of claim 1, wherein the user interface comprises an encoder configured to provide an encoder signal as the user interface signal, and wherein the processor changes at least one of the program and a parameter of the program upon receipt of the encoder signal.

10. The lighting system of claim 9, wherein the user interface further comprises at least one of a dial, a button, a switch, a slider, a variable switch, and a variable selector.

11. The lighting system of claim 1 or 2, wherein the user interface further comprises at least one of a button, a switch, a slider, a variable switch, and a variable selector.

12. The lighting system of claim 1, further comprising an analog to digital converter, wherein the user interface generates an analog signal and the analog to digital converter converts the analog signal to a digital signal, and wherein the digital signal is communicated to the processor.

13. The lighting system of claim 12, wherein the processor selects the program from the memory upon receipt of the digital signal.

14. The lighting system of claim 12, wherein the processor adjusts a parameter of the program upon receipt of the digital signal.

15. The lighting system of claim 1, further comprising a display coupled to the processor.

16. The lighting system of claim 15, wherein the display is at least one of an LCD screen, a plasma screen, a monochrome screen, and a color screen.

17. The lighting system of claim 16, wherein the display is configured to provide information regarding at least one of the selected program, a program setting, a program parameter, available programs stored in the memory, a time, a date, and control information.

18. The lighting system of claim 1, wherein the user interface is remotely located from the processor.

19. The lighting system of claim 18, wherein communication of the user interface signal from the user interface to the processor is accomplished through at least one of an electromagnetic transmission, a radio frequency transmission, an infrared transmission, a microwave transmission, an acoustic transmission, a wire transmission, a cable transmission, and a network transmission.

20. The lighting system of claim 1, wherein the processor is at least one of a controller, an addressable controller, a microprocessor, a microcontroller, an addressable microprocessor, a computer, a programmable processor, a programmable controller, a dedicated processor, a dedicated controller, and an integrated circuit.

21. The lighting system of claim 20, further comprising a receiver for receiving at least one of an electromagnetic transmission, a radio frequency transmission, an infrared transmission, a microwave transmission, an acoustic transmission, a network transmission, a wire transmission, and a cable transmission, wherein the receiver is coupled to the processor.

22. The lighting system of claim 20, further comprising: an analog to digital converter configured to communicate a digital signal to the processor;

24

and a receiver for receiving at least one of an electromagnetic transmission, a radio frequency transmission, an infrared transmission, a microwave transmission, an acoustic transmission, a network transmission, a wire transmission, and a cable transmission, wherein the receiver communicates an analog signal to the analog to digital converter.

23. The system of claim 1, wherein the user interface signal represents at least one power cycle applied to the lighting system.

24. The lighting system of claim 23, wherein the at least one power cycle includes turning power to the lighting system off and then back on within a predetermined period of time via the user interface.

25. A lighting system, comprising:

two or more LEDs configured to produce at least two different spectra of radiation;

a processor;

a controller configured to control power delivered to at least one of the two or more LEDs, the controller being responsive to at least one signal communicated to the controller from the processor;

a light-transmissive material, wherein the two or more LEDs are arranged such that at least some of the radiation passes through the light-transmissive material;

an analog to digital converter configured to communicate a digital signal to the processor; and

a receiver for receiving at least one of an electromagnetic transmission, a radio frequency transmission, an infrared transmission, a microwave transmission, an acoustic transmission, a network transmission, a wire transmission, and a cable transmission, wherein the receiver communicates an analog signal to the analog to digital converter.

26. The lighting system of claim 25, further comprising a remote user interface configured to communicate a user interface signal to the receiver via the at least one of the electromagnetic transmission, the radio frequency transmission, the infrared transmission, the microwave transmission, the acoustic transmission, the network transmission, the wire transmission, and the cable transmission.

27. The lighting system of claim 26, wherein the processor is configured to control the controller so as to change at least one parameter of the radiation in response to the user interface signal.

28. The lighting system of claim 27, wherein the processor includes a memory, and wherein the processor is configured to select one program of a plurality of programs from the memory in response to the user interface signal.

29. The lighting system of claim 28, wherein the processor is configured to adjust a parameter of the selected one program in response to the user interface signal.

30. The lighting system of claim 28, wherein the processor further comprises a timer configured to measure a duration of the digital signal representing the user interface signal, and wherein the processor adjusts a parameter of the selected one program upon receipt of a predetermined duration of the digital signal.

31. The lighting system of claim 1, wherein the processor receives the user interface signal over at least one wireless communication link.

32. The lighting system of claim 31, wherein the at least one wireless communication link is configured to support at least one of a radio frequency transmission, an infrared transmission, a microwave transmission, and an acoustic transmission.

25

33. The lighting system of claim 32, wherein the at least one wireless communication link is configured to support at least one radio frequency transmission, and wherein the apparatus further comprises a radio transceiver coupled to the processor to receive the user interface signal.

34. The lighting system of claim 31, wherein the controller is configured vary the variable color radiation based at least in part on the user interface signal.

35. The lighting system of claim 31, wherein the processor is an addressable processor, wherein the at least one wireless communication link forms part of a wireless communication network, and wherein the user interface signal includes information particularly identifying the addressable processor.

36. The lighting system of claim 31, wherein the processor is further configured to modify at least one variable of the selected program based on the user interface signal.

37. The lighting system of claim 1, wherein the memory stores a plurality of lighting programs, wherein the processor is configured to select one lighting program of the plurality of lighting programs based on the user interface signal, and wherein the controller is configured to control the at least one variable color radiation based at least in part on execution by the processor of the selected one lighting program.

38. The lighting system of claim 37, wherein the processor is further configured to modify at least one variable of the selected one lighting program based on the user interface signal.

39. A lighting method, comprising acts of:

- A) producing at least two different spectra of radiation from two or more LEDs;
- B) controlling power delivered to at least one of the two or more LEDs in response to at least one signal communicated from a processor;
- C) passing at least some of the radiation through a light-transmissive material to provide variable color radiation;
- D) selecting a program from a memory of the processor upon receipt of a user interface signal that includes at least one of a logic high signal and a logic low signal; and
- E) executing the program to generate the at least one signal communicated by the processor so as to control at least a color of the variable color radiation.

40. The lighting method of claim 39, further comprising an act of adjusting a parameter of the program upon receipt of the user interface signal.

41. A lighting method comprising acts of:

- A) producing at least two different spectra of radiation from two or more LEDs;
- B) controlling power delivered to at least one of the two or more LEDs in response to at least one signal communicated from a processor;
- C) passing at least some of the radiation through a light-transmissive material;
- D) selecting a program from a memory of the processor upon receipt of a user interface signal that includes at least one of a logic high signal and a logic low signal;
- E) measuring a duration of the user interface signal; and
- F) adjusting a parameter of the program upon receipt of a predetermined duration of the user interface signal.

42. The lighting method of claim 39, further comprising an act of continually changing a parameter of the program until the user interface signal changes.

43. The lighting method of claim 39, wherein the act B) comprises an act of controlling the power delivered to the at

26

least one of the two LEDs via at least one of a pulse width modulation technique, a pulse amplitude modulation technique, a pulse displacement modulation technique, a resistor ladder, a current source, a voltage source, a voltage ladder, a switch, a transistor, and a voltage controller.

44. The lighting method of claim 39, further comprising an act of displaying information regarding at least one of the selected program, a program setting, a program parameter, available programs stored in the memory, a time, a date, and control information.

45. The lighting method of claim 39, further comprising an act communicating the user interface signal from the user interface to the processor via at least one of an electromagnetic transmission, a radio frequency transmission, an infrared transmission, a microwave transmission, an acoustic transmission, a wire transmission, a cable transmission, and a network transmission.

46. The lighting method of claim 39, wherein the user interface signal represents,

at least one power cycle applied to the processor.

47. The lighting method of claim 46, further comprising an act of turning an operating power off and then back on within a predetermined period of time so as to generate the at least one power cycle.

48. A lighting method, comprising acts of:

- producing at least two different spectra of radiation from two or more LEDs;
- controlling power delivered to at least one of the two or more LEDs in response to at least one signal communicated from a processor;
- passing at least some of the radiation through a light-transmissive material;
- generating an analog signal in response to receiving at least one of an electromagnetic transmission, a radio frequency transmission, an infrared transmission, a microwave transmission, an acoustic transmission, a network transmission, a wire transmission, and a cable transmission;
- converting the analog signal into a digital signal; and
- communicating the digital signal to the processor.

49. The lighting method of claim 39,

wherein the act D) comprises communicating the user interface signal to the processor over at least one wireless communication link.

50. The method of claim 49, wherein the at least one wireless communication link is configured to support at least one of a radio frequency transmission, an infrared transmission, a microwave transmission, and an acoustic transmission.

51. The method of claim 50, wherein the at least one wireless communication link is configured to support at least one radio frequency transmission, and wherein the method further comprises an act of:

receiving the user interface signal via the at least one radio frequency transmission.

52. The method of claim 49, wherein the act E) includes an act of:

varying the color of the variable color radiation based at least in part on the user interface signal.

53. The method of claim 49, further including an act of: modifying at least one variable of the selected program based on the user interface signal.

27

54. The method of claim **39**, wherein the program includes a plurality of programs, and wherein the act D) further includes an act of:

selecting one program of the plurality of programs, based on the user interface signal, for execution in the act E). ⁵

55. The method of claim **54**, further including an act of: modifying at least one variable of the selected one program based on the user interface signal.

28

56. The method of claim **49**, further comprising an act of: generating the user interface signal based on user operation of at least one remote user interface coupled to the at least one wireless communication link.

57. The method of claim **56**, wherein the at least one remote user interface comprises at least one of dial, a button, a switch, a slider, a variable switch, and a variable selector.

* * * * *