



US006846093B2

(12) **United States Patent**
Swaris et al.

(10) **Patent No.:** US 6,846,093 B2
(45) **Date of Patent:** Jan. 25, 2005

(54) **MODULAR MOUNTING ARRANGEMENT AND METHOD FOR LIGHT EMITTING DIODES**

(75) Inventors: **Jagath Swaris**, Palos Verdes, CA (US);
Scott Van Ness, Temecula, CA (US)

(73) Assignee: **Permlight Products, Inc.**, Tustin, CA (US)

(*) Notice: Subject to any disclaimer, the term of this patent is extended or adjusted under 35 U.S.C. 154(b) by 96 days.

(21) Appl. No.: **10/417,896**

(22) Filed: **Apr. 16, 2003**

(65) **Prior Publication Data**

US 2003/0218878 A1 Nov. 27, 2003

Related U.S. Application Data

(63) Continuation of application No. 09/948,338, filed on Sep. 5, 2001, now Pat. No. 6,578,986.

(60) Provisional application No. 60/301,951, filed on Jun. 29, 2001.

(51) **Int. Cl.**⁷ **F21V 21/00**

(52) **U.S. Cl.** **362/249; 362/294; 362/373; 362/800**

(58) **Field of Search** 362/249, 250, 362/231, 226, 294, 373, 800; 257/88, 91, 99, 103

(56) **References Cited**

U.S. PATENT DOCUMENTS

3,936,686 A	2/1976	Moore
4,143,411 A	3/1979	Roberts
4,591,954 A	5/1986	Kawamura et al.
4,612,606 A	9/1986	Roberts
4,720,773 A	1/1988	Ahroni

4,761,720 A	8/1988	Solow
4,855,882 A	8/1989	Boss
4,908,743 A	3/1990	Miller
5,103,382 A	4/1992	Kondo et al.
5,222,799 A	6/1993	Sears et al.
5,499,170 A	3/1996	Gagne

(List continued on next page.)

OTHER PUBLICATIONS

Thermal Management Considerations for Super Flux LEDs in 11 pages.

Subminiature InGaN Blu Lamps, Hewlett Packard, pp. 1-2, dated Aug. 4, 1998.

(List continued on next page.)

Primary Examiner—Alan Cariaso

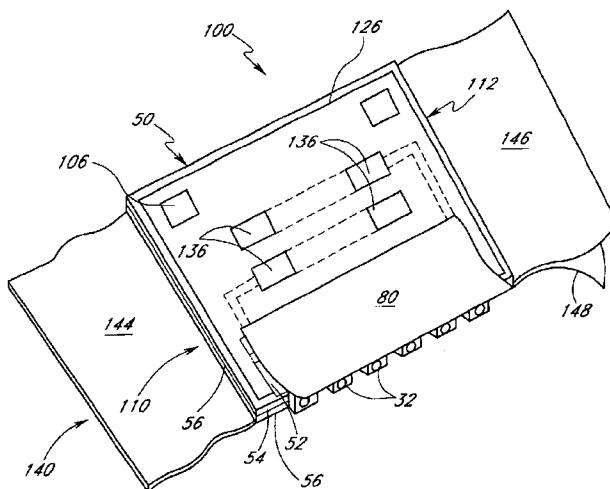
Assistant Examiner—Mark Tsidulko

(74) *Attorney, Agent, or Firm*—Knobbe, Martens, Olson & Bear, LLP.

(57) **ABSTRACT**

A modular light emitting diode (LED) mounting configuration is provided including a light source module having a plurality of pre-packaged LEDs arranged in a serial array. The module includes a heat conductive body portion adapted to conduct heat generated by the LEDs to an adjacent heat sink. A heat conductive adhesive tape connects the LED module to the mount surface. As a result, the LEDs are able to be operated with a higher current than normally allowed. Thus, brightness and performance of the LEDs is increased without decreasing the life expectancy of the LEDs. A plurality of such LED modules can be pre-wired together in a substantially continuous fashion and provided in a dispenser, such as a roll or box. Thus, to install a plurality of such LED modules, a worker simply pulls modules from the dispenser as needed, secures the appropriate number of modules in place, and connects the assembled modules to a power source.

31 Claims, 17 Drawing Sheets



U.S. PATENT DOCUMENTS

5,607,227 A 3/1997 Yasumoto et al.
5,660,461 A 8/1997 Ignatius et al.
5,697,175 A 12/1997 Schwartz
5,746,497 A 5/1998 Machida
5,857,767 A 1/1999 Hochstein
5,953,469 A * 9/1999 Zhou 385/22
6,042,248 A 3/2000 Hannah et al.
6,045,240 A 4/2000 Hochstein
6,244,728 B1 6/2001 Cote et al.
6,299,337 B1 * 10/2001 Bachl et al. 362/545
6,350,039 B1 2/2002 Lee
6,396,466 B1 5/2002 Pross et al.
6,505,956 B1 1/2003 Priddy et al.
6,566,824 B2 5/2003 Panagotacos et al.

6,582,103 B1 6/2003 Popovich et al.
2001/0015891 A1 8/2001 Suzuki et al.
2001/0032985 A1 * 10/2001 Bhat et al. 257/88

OTHER PUBLICATIONS

Thermal Management Considerations for Super Flux LEDs,
Hewlett Packard, pp. 2-11.
Subminiature High Performance AlInGaP LED Lamps,
Hewlett Packard, pp. 1-161 through 1-162.
Copending U.S. Appl. No. 09/693,548, filed Oct. 19, 2000,
titled Mounting Arrangement for Light Emitting Diodes.

* cited by examiner

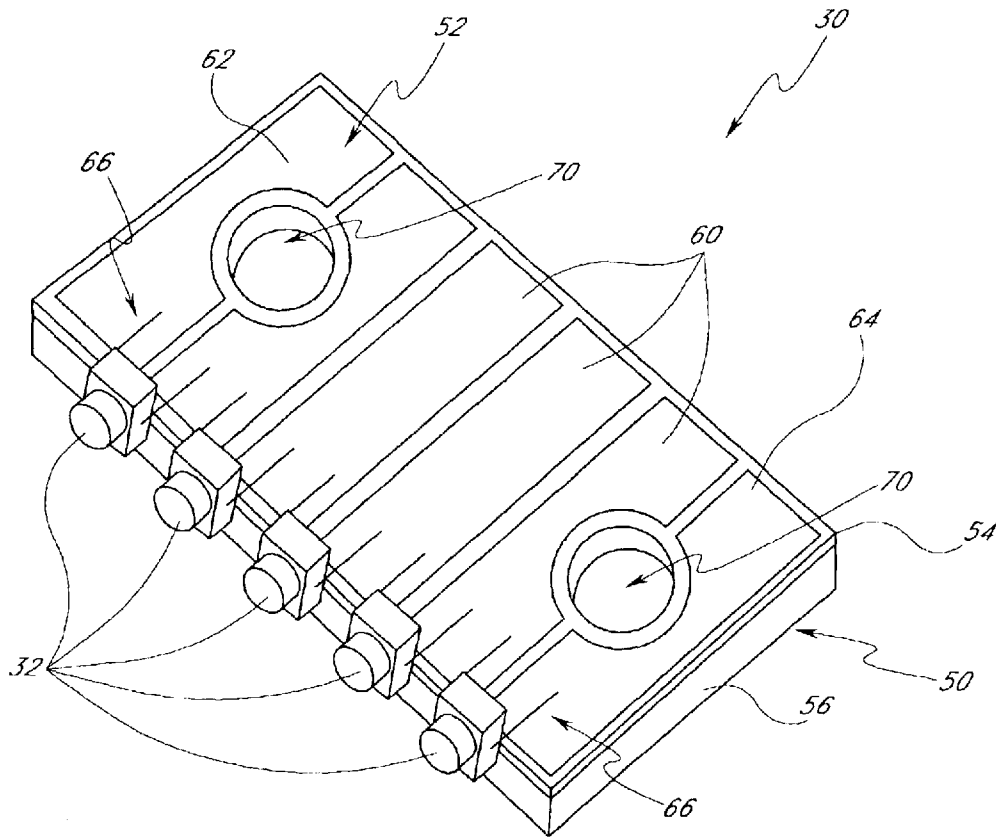


FIG. 1

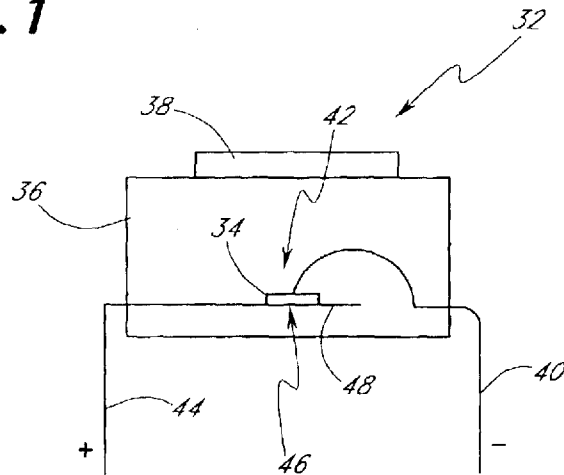


FIG. 2

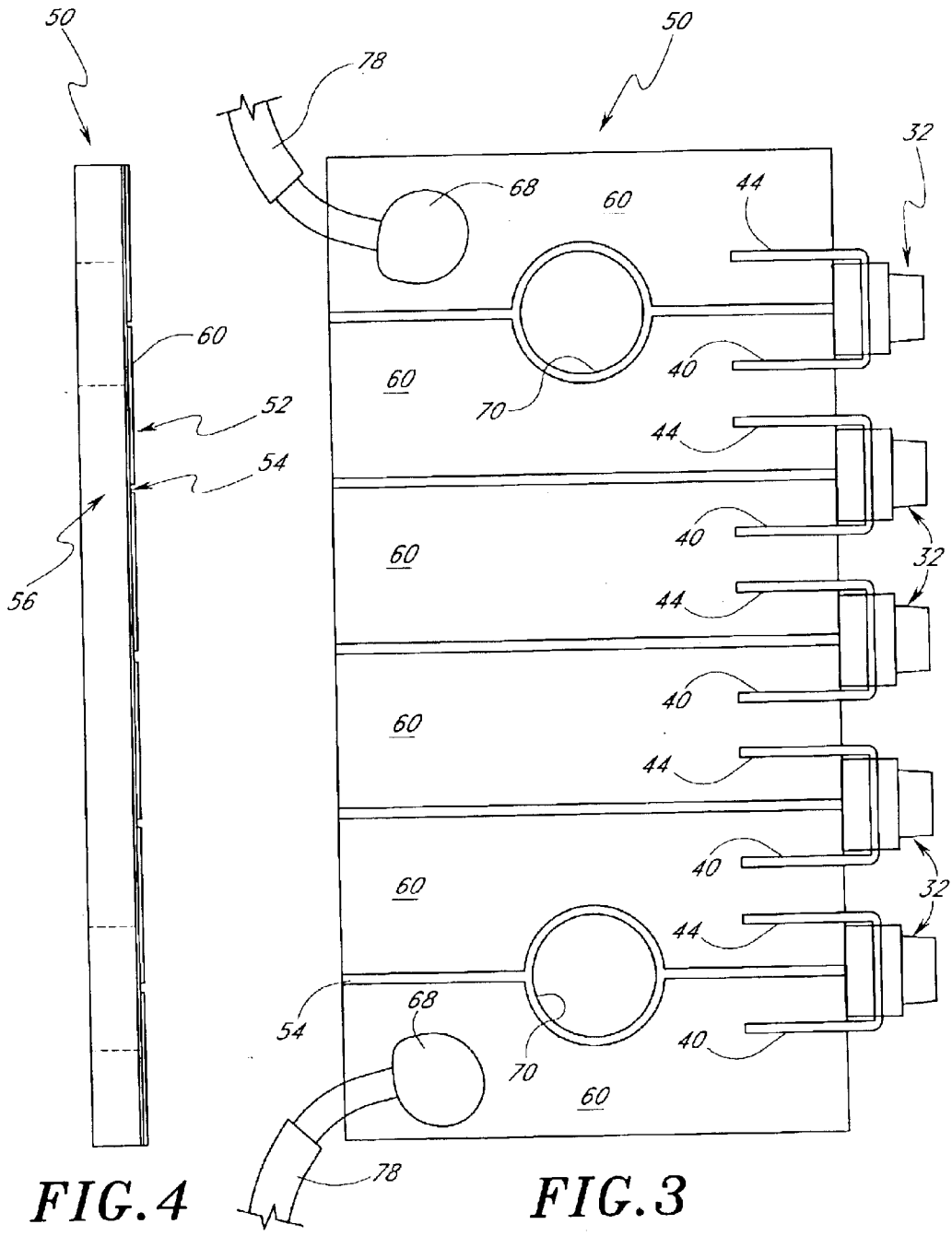


FIG. 4

FIG. 3

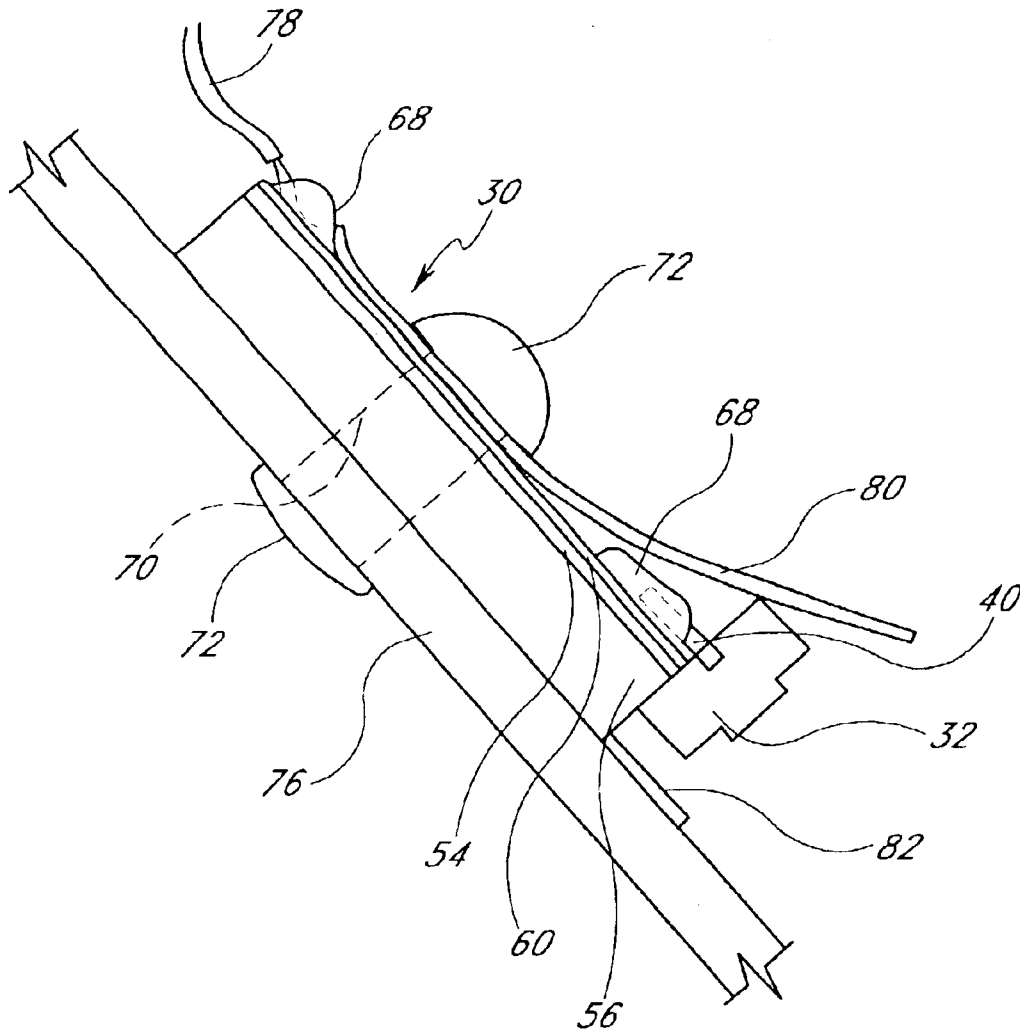


FIG. 5

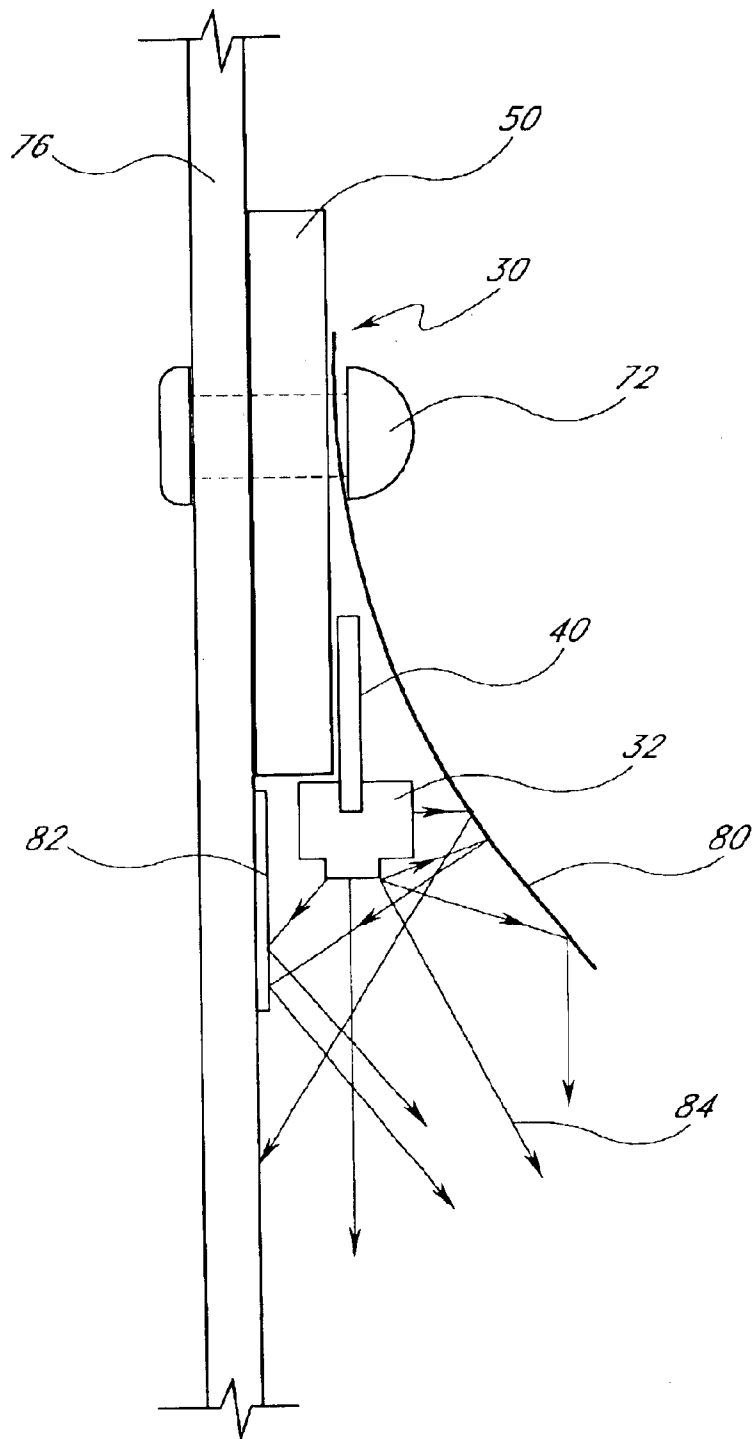


FIG. 6

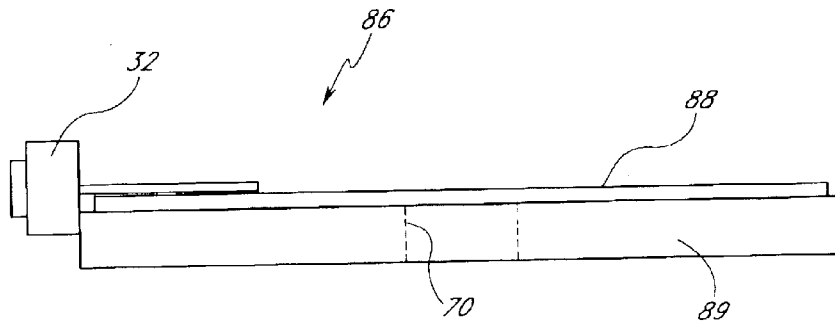


FIG. 7

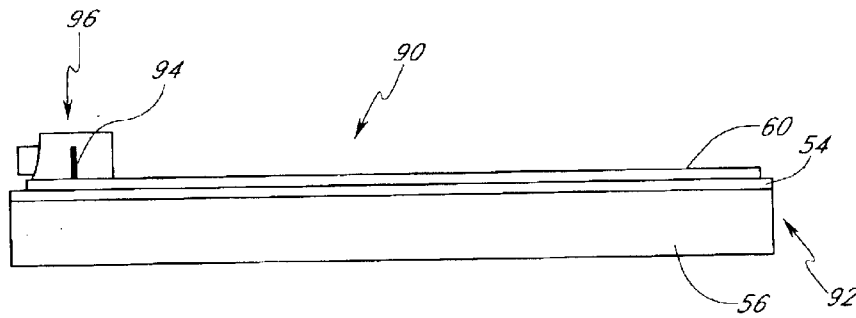


FIG. 8

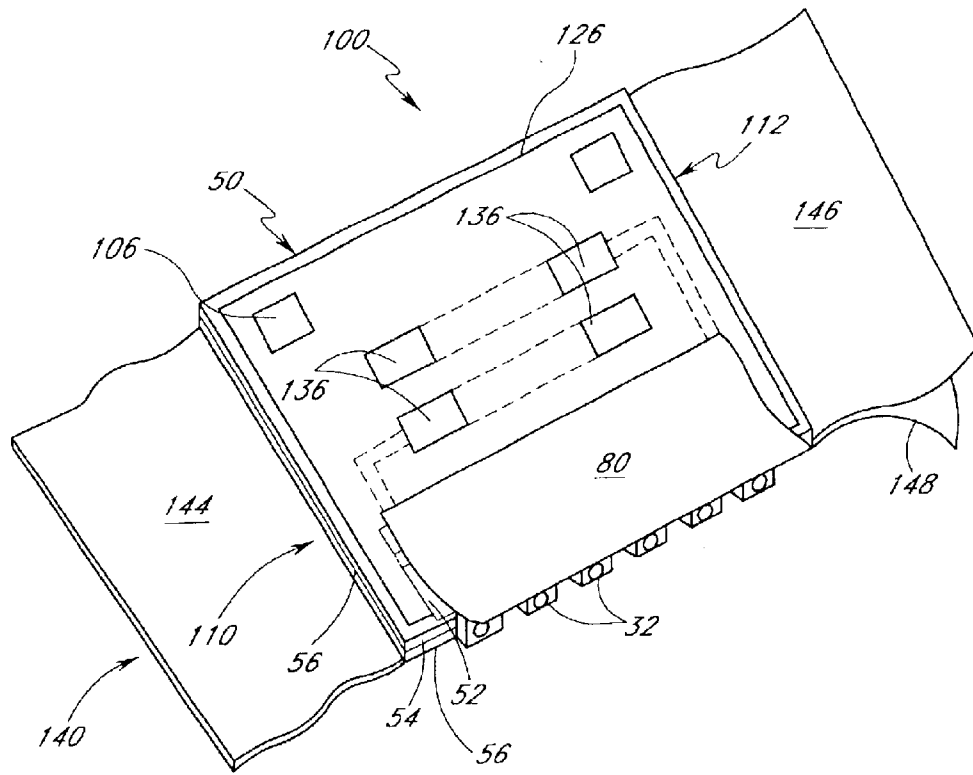


FIG. 12

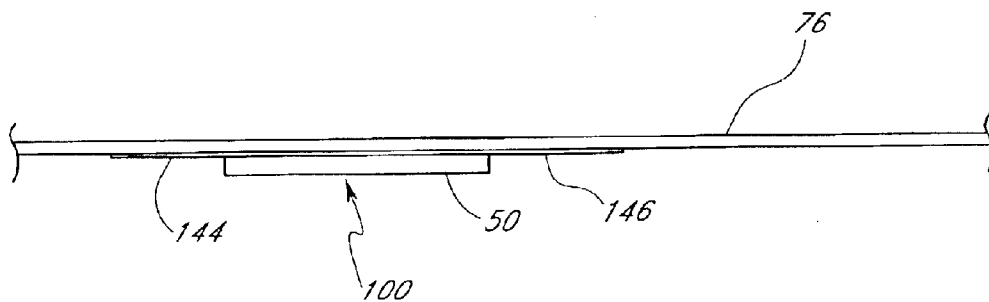


FIG. 13

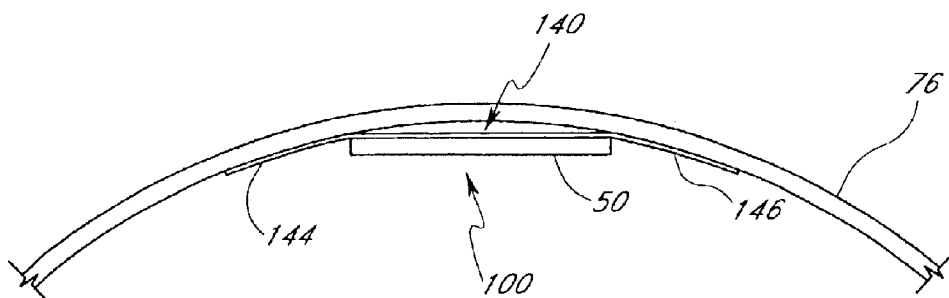


FIG. 14

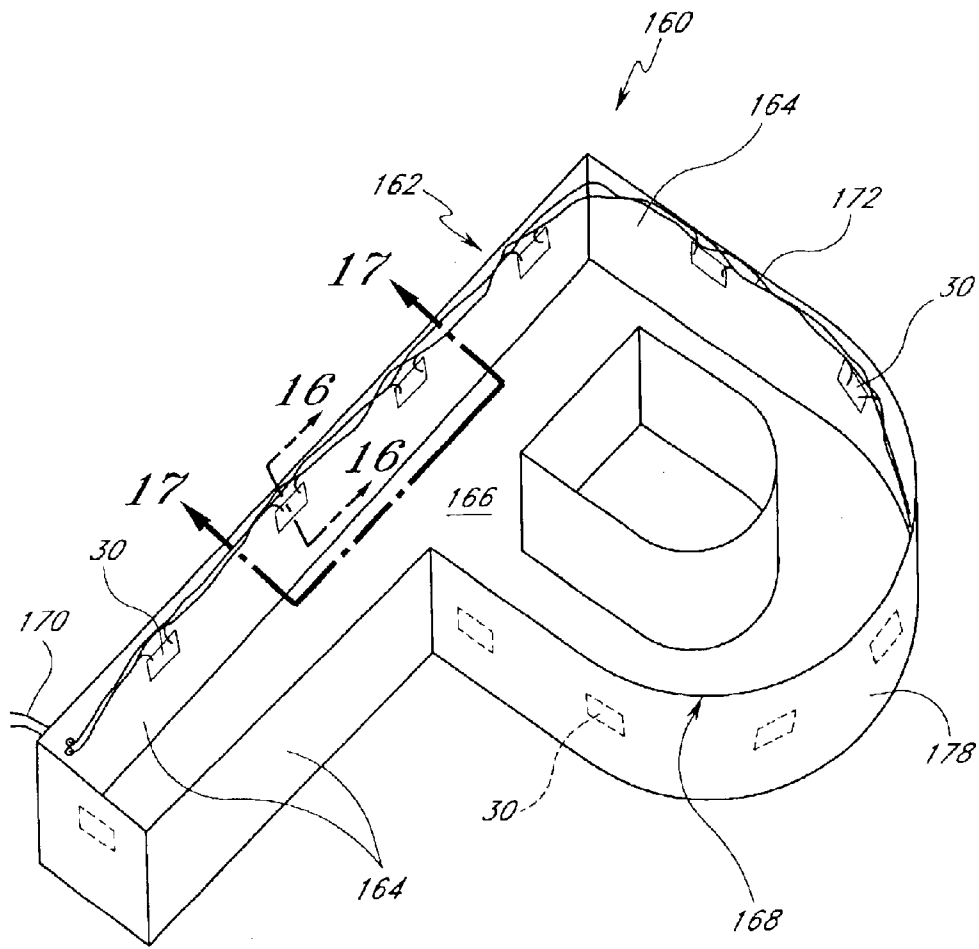


FIG. 15

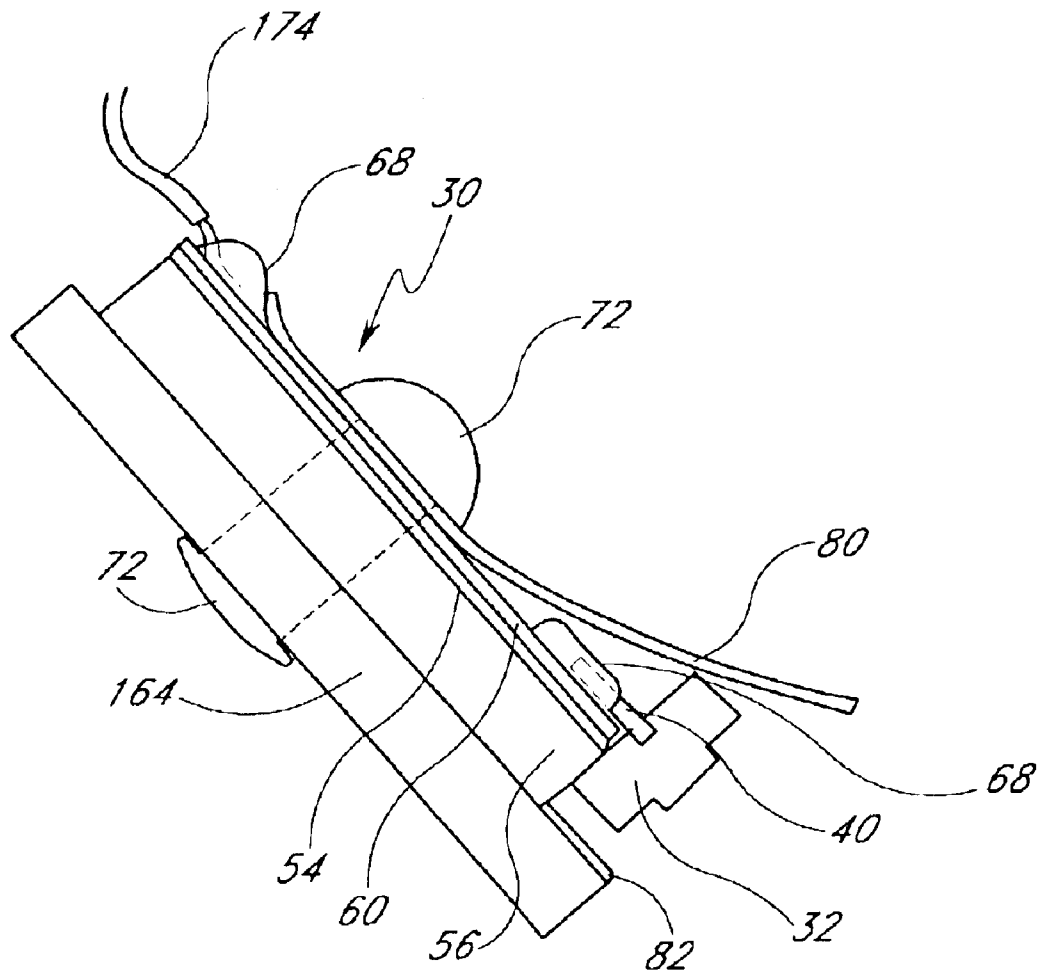


FIG. 16

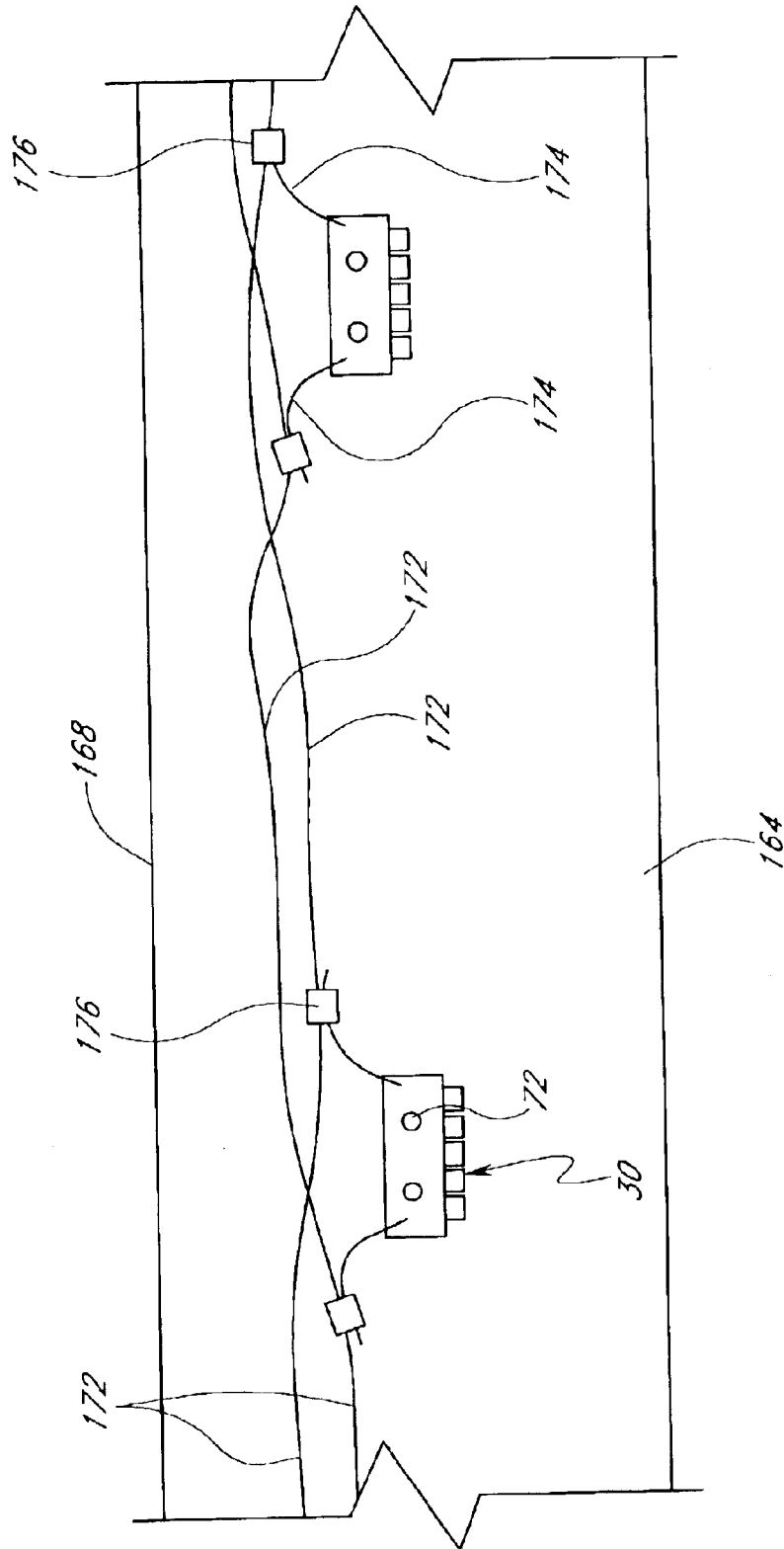


FIG. 17

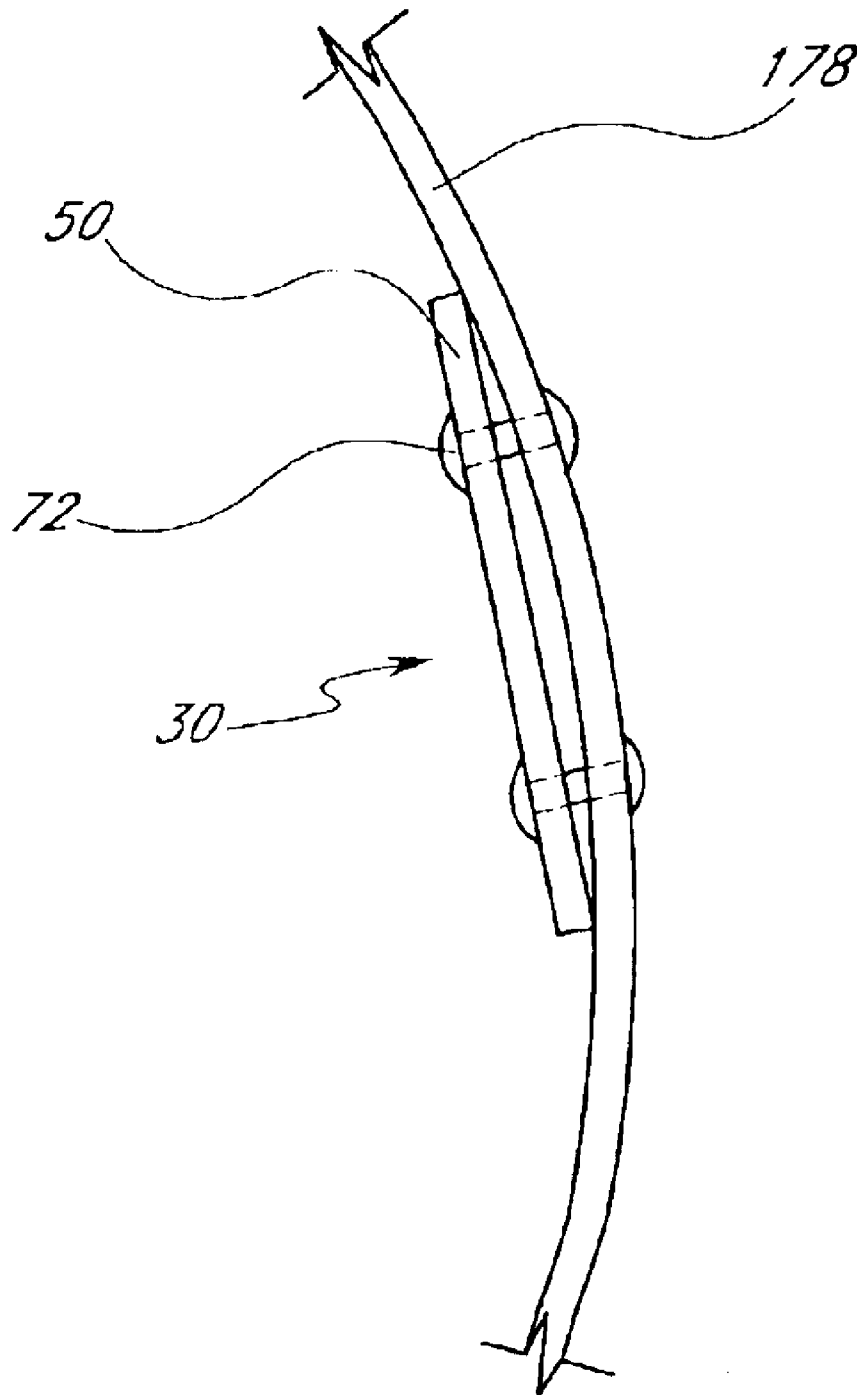


FIG. 18

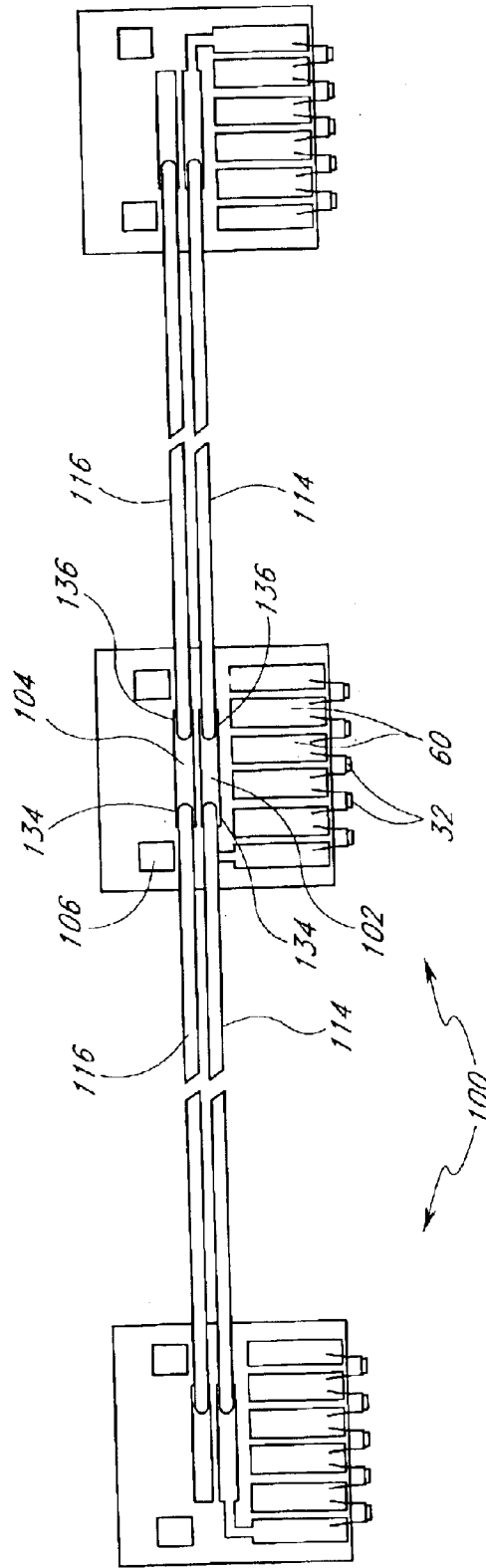


FIG. 19

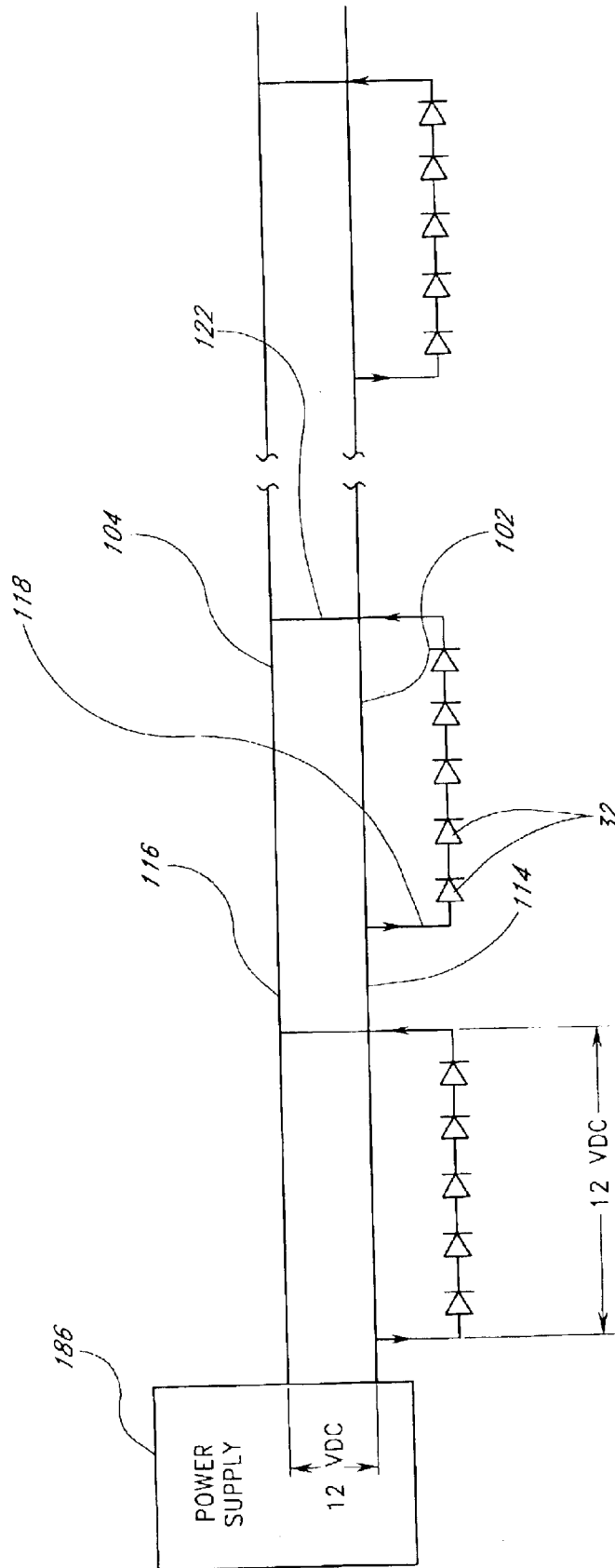


FIG. 20

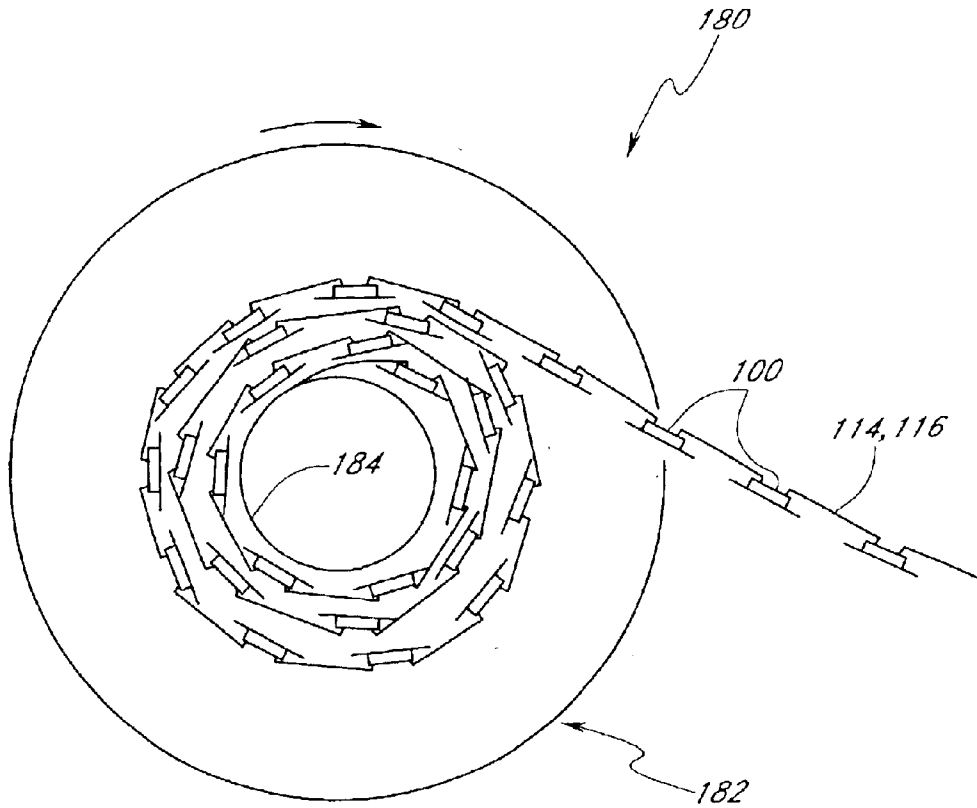


FIG. 21

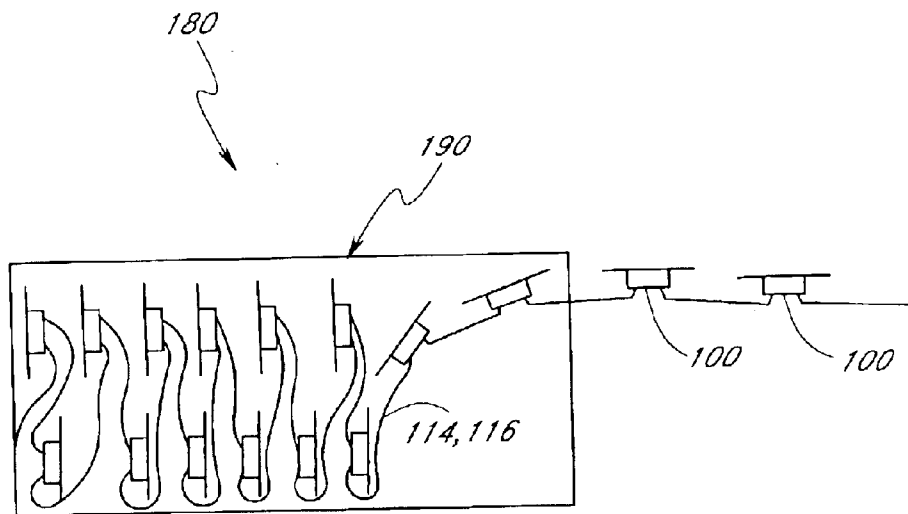


FIG. 23

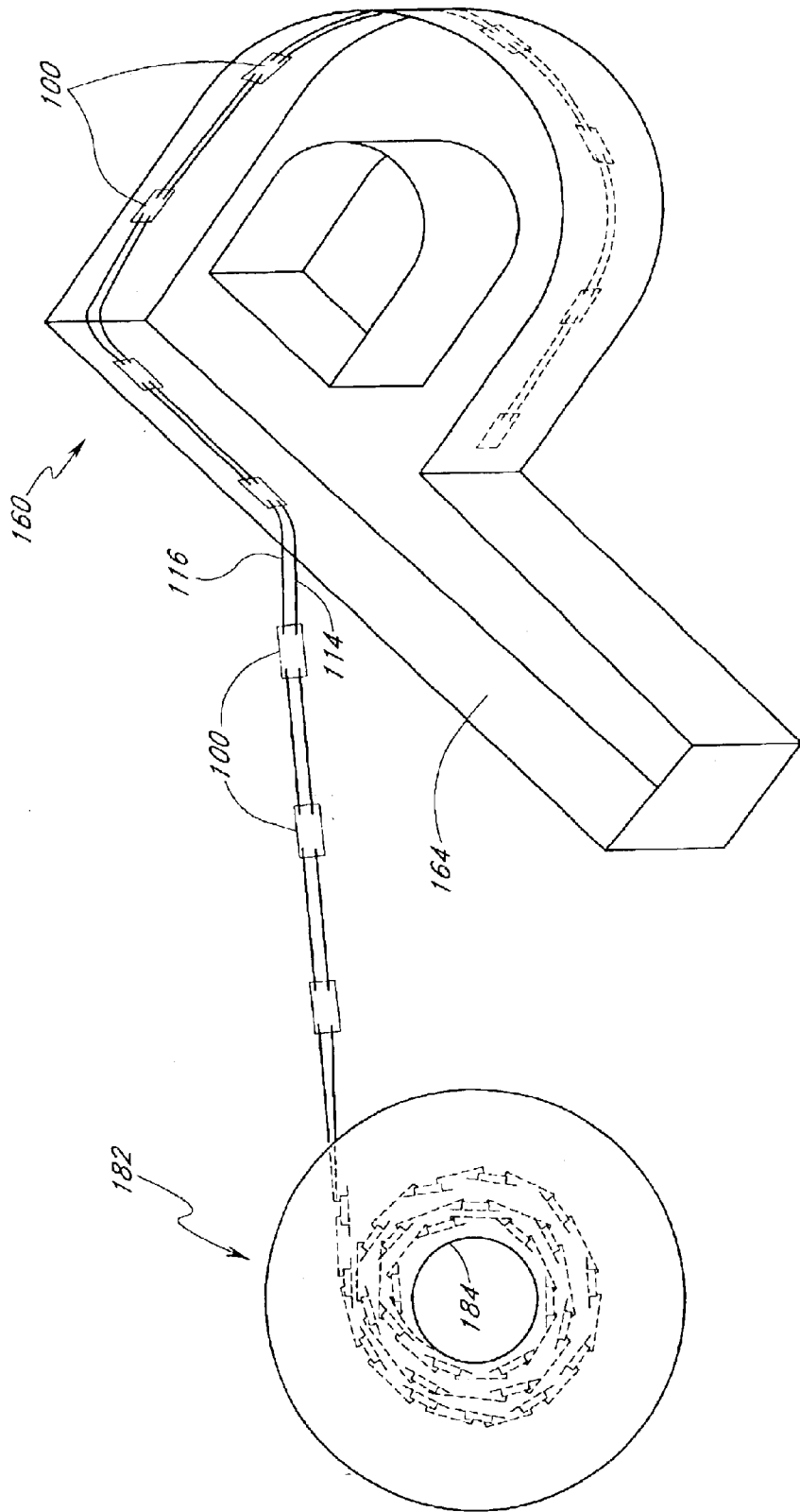


FIG. 22

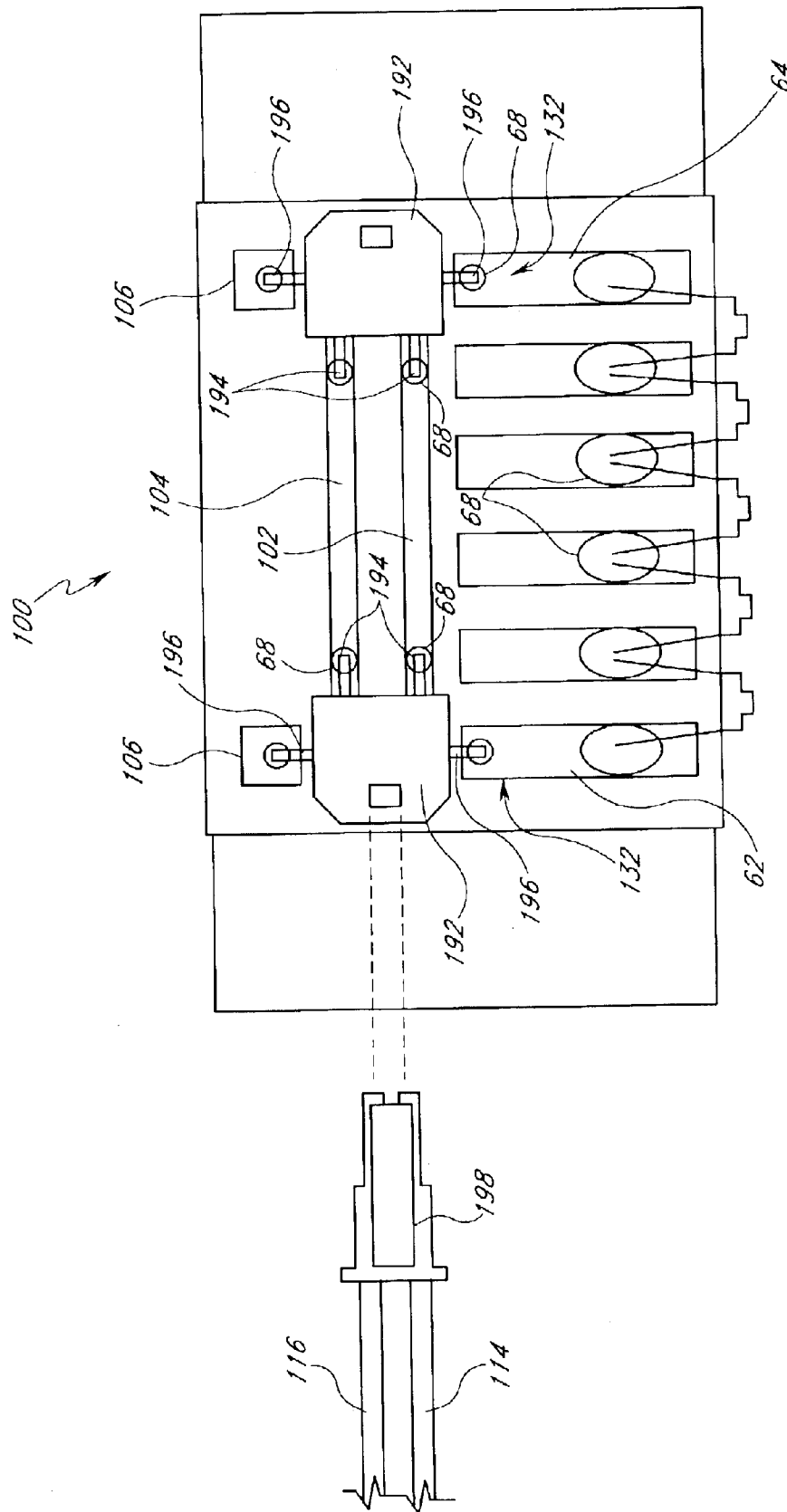


FIG. 24

MODULAR MOUNTING ARRANGEMENT AND METHOD FOR LIGHT EMITTING DIODES

RELATED APPLICATIONS

This application is a continuation of U.S. application Ser. No. 09/948,338, which was filed on Sep. 5, 2001, now U.S. Pat. No. 6,578,986, and which claims priority to U.S. application Ser. No. 60/301,951, which was filed on Jun. 29, 2001. Both of the priority applications are incorporated herein by reference in their entirety.

BACKGROUND OF THE INVENTION

1. Field of the Invention

The present invention relates generally to light emitting diode (LED) lighting devices and more particularly to LED lighting modules having heat transfer properties that improve the efficiency and performance of LEDs.

2. Description of the Related Art

Most lighting applications utilize incandescent or gas-filled bulbs, particularly lighting applications that require more than a low level of illumination. Such bulbs typically do not have long operating lifetimes and thus require frequent replacement. Gas-filled tubes, such as fluorescent or neon tubes, may have longer lifetimes, but operate using dangerously high voltages and are relatively expensive. Further, both bulbs and gas-filled tubes consume substantial amounts of power.

In contrast, light emitting diodes (LEDs) are relatively inexpensive, operate at low voltage, and have long operating lifetimes. Additionally, LEDs consume relatively little power and are relatively compact. These attributes make LEDs particularly desirable and well suited for many applications. However, one limitation of LEDs is that they typically do not provide sufficient brightness for applications that need more than low level illumination.

Although it is known that the brightness of the light emitted by an LED can be increased by increasing the electrical current supplied to the LED, increased current also increases the junction temperature of the LED. Increased junction temperature may reduce the efficiency and the lifetime of the LED. For example, it has been noted that for every 10° C. increase in temperature above a specified temperature, the operating lifetime of silicone and gallium arsenide drops by a factor of 2.5–3. LEDs are often constructed of semiconductor materials that share many similar properties with silicone and gallium arsenide.

Another factor in the use of LEDs is that, in most systems, a series of LEDs must be connected together and mounted on a surface. Such connection and mounting is typically a time consuming, laborious process.

Accordingly, there is a need in the art for a convenient and efficient arrangement for mounting LEDs on a surface. There is also a need in the art for lighting systems utilizing LEDs that provide illumination at levels which are more comparable to those of incandescent bulbs and gas-filled tubes.

SUMMARY OF THE INVENTION

The present lighting system is directed, inter alia, to a mounting arrangement for LEDs, which in the preferred embodiment may be adapted to allow for increased LED brightness.

In accordance with one embodiment, a lighting system is provided comprising a plurality of lighting modules adapted

to be mounted on a surface of a heat conductive member. Each module comprises a plurality of light emitting diodes (LEDs) and a plurality of electrically conductive contacts. Each of the LEDs electrically communicates with at least one of the contacts in a manner so that the LEDs are configured in a series array between opposing first and second edges of the module. A dielectric layer is provided and has a first side and a second side. The contacts are connected to the first side of the dielectric layer. Each of the modules further includes an adhesive layer adapted to fasten the module to a surface of a heat conductive member such that heat from the module is drawn into the heat conductive member through the adhesive.

In accordance with another aspect, a method of making an illuminated signage system is provided. A sign member is provided, comprising at least one channel defined by a plurality of surfaces, and a plurality of light emitting diode (LED) modules is provided. Each of the LED modules comprises a plurality of LEDs, a plurality of electrically conductive contacts, each of the LEDs electrically communicating with at least one of the contacts, a dielectric layer having a first side and a second side, the contacts being connected to the first side, a main body layer, and an adhesive layer, the main body layer being disposed between the dielectric layer and the adhesive layer. The method further comprises electrically connecting the plurality of LED modules to each other and adhering the adhesive layer of each module to at least one of the channel surfaces.

In accordance with yet another aspect, a lighting system comprises a plurality of lighting modules adapted to be mounted on a surface of a heat conductive member. Each module comprises a plurality of light emitting diodes (LEDs); a plurality of electrically conductive contacts, each of the LEDs electrically communicating with at least one of the contacts in a manner so that the LEDs are configured in a series array between opposing first and second edges of the module; and a dielectric layer having a first side and a second side, the contacts being connected to the first side. A first electrically conductive power trace and a second electrically conductive power trace are disposed on the first side of the dielectric layer. A first one of the contacts is electrically connected to the first trace, and a second one of the contacts is electrically connected to the second trace. The first contact is electrically connected to a positive lead of the series array of LEDs, and the second contact is electrically connected to a negative lead of the series array of LEDs. Each of the modules further includes an adhesive layer adapted to fasten the module to a surface of a heat conductive member such that heat from the module is drawn into the heat conductive member through the adhesive. Also, a plurality of modules are electrically interconnected in a manner so that the first and second power traces of a first module are connected to the first and second power traces of a second module.

In accordance with still another embodiment, a method of manufacturing a lighting system is provided. A plurality of LED modules are provided, each having a plurality of LEDs arranged in a serial array. A tape layer is applied to one side of each LED module so that the tape extends outwardly beyond opposing edges of the module. A linear chain of LED modules is formed by electrically connecting adjacent modules using flexible conductors. The linear chain of modules is compactly packaged by winding the modules in a coil or folding the modules in a serpentine pattern.

For purposes of summarizing the present mounting arrangement and the advantages achieved over the prior art, certain advantages have been described herein above. Of

course, it is to be understood that not necessarily all such advantages may be achieved in accordance with any particular embodiment. Thus, for example, those skilled in the art will recognize that the invention may be embodied or carried out in a manner that achieves or optimizes one advantage or group of advantages as taught herein without necessarily achieving other objects or advantages as may be taught or suggested herein.

All of these embodiments are intended to be within the scope of the invention. These and other embodiments will become readily apparent to those skilled in the art from the following detailed description of the preferred embodiments having reference to the attached figures, the invention not being limited to any particular preferred embodiment(s) disclosed.

BRIEF DESCRIPTION OF THE DRAWINGS

FIG. 1 is a perspective view of an LED module having features in accordance with an embodiment.

FIG. 2 is a schematic side view of a typical pre-packaged LED lamp.

FIG. 3 is a top plan view of the LED module of FIG. 1.

FIG. 4 is a side plan view of the apparatus of FIG. 3.

FIG. 5 is a close-up side view of the apparatus of FIG. 3 mounted on a heat conductive member.

FIG. 6 is another sectional side view of the apparatus of FIG. 3 mounted onto a heat conductive flat surface.

FIG. 7 is a side plan view of an LED module having features in accordance with another embodiment.

FIG. 8 is a side plan view of another LED module having features in accordance with yet another embodiment.

FIG. 9 is a plan view of yet another embodiment of an LED module.

FIG. 10 shows the LED module of FIG. 9 including a masking layer.

FIG. 11 is a sectional view of the LED module of FIG. 10 taken along line 11—11.

FIG. 12 is a perspective view of the LED module of FIG. 10, showing a reflective strip included thereon.

FIG. 13 is a side view of the LED module of FIG. 9 mounted on a flat surface.

FIG. 14 is a close-up side view of the LED module of FIG. 9 mounted on a curving surface.

FIG. 15 is a perspective view of a channel illumination apparatus incorporating LED modules.

FIG. 16 is a cross-sectional side view taken along line 16—16 of FIG. 14.

FIG. 17 is a partial view of a wall of the apparatus of FIG. 15, taken along line 17—17.

FIG. 18 is a top view of an LED module mounted to a wall of the apparatus of FIG. 15.

FIG. 19 shows a plurality of modules such as the LED module of FIG. 9 wired together.

FIG. 20 is a circuit diagram showing the arrangement of FIG. 19 connected to a power supply.

FIG. 21 is a side view of a plurality of wired-together LED modules such as the LED module of FIG. 9, arranged on a dispensing roll.

FIG. 22 shows wired-together modules from the dispensing roll of FIG. 21 being installed into a channel illumination apparatus.

FIG. 23 is a plan view of a plurality of wired-together LED modules such as the LED module of FIG. 9, arranged within a box dispenser.

FIG. 24 is a plan view of an LED module having modular wire connectors.

DETAILED DESCRIPTION OF THE PREFERRED EMBODIMENT

With reference first to FIG. 1, an embodiment of a light-emitting diode (LED) lighting module 30 is disclosed. In the illustrated embodiment, the LED module 30 includes five pre-packaged LEDs 32 arranged along a front edge of the module 30. It is to be understood, however, that LED modules can be constructed having any number of LEDs 32 mounted in any desired configuration.

With next reference to FIG. 2, a typical LED package 32 includes a diode chip 34 encased within a resin body 36. The LED package 32 typically has a focusing lens portion 38 on the body 36 and a pair of leads 40, 44, one of which is negative and the other positive. The negative lead 40 connects to an anode side 42 of the diode chip 34 and the positive lead 44 connects to a cathode side 46 of the diode chip 34. The positive lead 44 preferably includes a reflector portion 48 to help direct light from the diode 34 to the lens portion 38.

With next reference to FIGS. 1–5, the LED module 30 preferably comprises the five pre-packaged LED lamps 32 mounted in a linear array on a circuit board 50 and electrically connected in series. The LED lamps 32 may comprise Hewlett Packard model HLMT-PL00 lamps, which employ pre-packaged aluminum indium gallium phosphide (AlInGaP) chips 34. In the illustrated embodiment, each of the pre-packaged LEDs is substantially identical so that they emit the same color of light. It is to be understood, however, that nonidentical LEDs may be used to achieve certain desired lighting effects.

The illustrated circuit board 50 preferably is about 0.05 inches thick, 1 inch long and 0.5 inch wide. It includes three layers: a copper contact layer 52, an epoxy dielectric layer 54 and an aluminum main body layer 56. The copper contact layer 52 is made up of a series of six elongate and generally parallel flat copper plates 60 that are adapted to attach to the leads 40, 44 of the LEDs 32. Each of the copper contacts 60 is electrically insulated from the other copper contacts 60 by the dielectric layer 54. Preferably, the copper contacts 60 are substantially coplanar.

The pre-packaged LEDs 32 are attached to one side of the circuit board 50, with the body portion 36 of each LED generally abutting a side of the circuit board 50. The LED lens portion 38 is thus pointed outwardly so as to direct light in a direction substantially coplanar with the circuit board 50. The LED leads 40, 44 are soldered onto the contacts 60 in a manner to create a series array of LEDs. Excess material from the leads of the individual pre-packaged LED lamps may be removed, if desired. Each of the contacts 60, except for the first and last contact 62, 64, have both a negative lead 40 and a positive lead 44 attached thereto. One of the first and last contacts 62, 64 has only a negative lead 40 attached thereto; the other has only a positive lead 44 attached thereto.

A bonding area 66 of the contacts accommodates the leads 40, 44, which are preferable bonded to the contact 60 with solder 68; however, each contact 60 preferably has a surface area much larger than is required for bonding in the bonding area 66. The enlarged contact surface area allows each contact 60 to operate as a heat sink, efficiently absorbing heat from the LED leads 40, 44. To maximize this role, the contacts 60 are shaped to be as large as possible while still fitting upon the circuit board 50.

5

The dielectric layer **54** preferably has strong electrical insulation properties but also relatively high heat conductance properties, and is preferably as thin as practicable. For example in the illustrated embodiment, the dielectric layer **54** comprises a layer of Thermagon® epoxy about 0.002 inches thick.

It is to be understood that various materials and thicknesses can be used for the dielectric layer **54**. Generally, the lower the thermal conductivity of the material used for the dielectric layer, the thinner that dielectric layer should be in order to maximize the heat transfer properties of the module. Nevertheless, even when a material such as Thermagon® epoxy, which has high thermal conductivity, is used, the dielectric layer is preferable as this as practicable in order to minimize thermal resistance. Certain ceramic materials, such as beryllium oxide and aluminum nitride, are electrically non-conductive but highly thermally conductive. Such materials, and still other materials, can also be acceptably used for the dielectric layer.

In the illustrated embodiment, the main body **56** makes up the bulk of the thickness of the circuit board **50** and preferably comprises a flat aluminum plate. As with each of the individual contacts **60**, the main body **56** functions as a heat conduit, absorbing heat from the contacts **60** through the dielectric layer **54** in order to conduct heat away from the LEDs **32**. However, rather than just absorbing heat from a single LED **32**, the main body **56** acts as a common heat conduit, absorbing heat from all of the contacts **60**. As such, in the illustrated embodiment, the surface area of the main body **56** is about the same as the combined surface area of all of the individual contacts **60**. The main body **56** can be significantly larger than shown in the illustrated embodiment, but its relatively compact shape is preferable in order to increase versatility when mounting the light module **30**. Additionally, the main body **56** is relatively rigid and provides structural support for the lighting module **30**.

In the illustrated embodiment, the main body **56** is made of aluminum, which has high thermal conductance properties and is easy to work with during manufacture. It is to be understood, however, that any material having advantageous thermal conductance properties, such as having thermal conductivity greater than about 100 watts per meter per Kelvin (W/m*K), would be acceptable.

In the illustrated embodiment, a pair of holes **70** are formed through the and are adapted to accommodate a pair of aluminum pop rivets **72**. The pop rivets **72** hold the circuit board **50** securely onto a heat conductive mount member **76**. The mount member **76** functions as or communicates with a heat sink. Thus, heat from the LEDs **32** is conducted with relatively little resistance through the module **30** to the attached heat sink **76** so that the junction temperature of the diode chip **34** within the LED **32** does not exceed a maximum desired level.

With reference again to FIGS. **3** and **5**, power supply wires **78** are attached across the first and last contacts **62**, **64** of the circuit board **50** so that electrical current is provided to the series-connected LEDs **32**. The power supply is preferably a 12-volt system and may be AC, DC or any other suitable power supply. A 12-volt AC system may be fully rectified.

The small size of the LED module **30** provides versatility so that a plurality of modules can be mounted at various places and in various configurations. For instance, some applications will include only a single module for a particular lighting application, while other lighting applications will employ a plurality of modules electrically connected in parallel relative to each other.

6

It is also to be understood that any number of LEDs can be included in one module. For example, some modules may use two LEDs, while other modules may use 10 or more LEDs. One manner of determining the number of LEDs to include in a single module is to first determine the desired operating voltage of a single LED of the module and also the voltage of the power supply. The number of LEDs desired for the module is then roughly equal to the voltage of the power supply divided by the operating voltage of each of the LEDs.

The present LED module **30** rapidly conducts heat away from the diode chip **34** of each LED **32** so as to permit the LEDs **32** to be operated in regimes that exceed normal operating parameters of the pre-packaged LEDs **32**. In particular, the heat sinks allow the LED circuit to be driven in a continuous, non-pulsed manner at a higher long-term electrical current than is possible for typical LED mounting configurations. This operating current is substantially greater than manufacturer-recommended maximums. The optical emission of the LEDs at the higher current is also markedly greater than at manufacturer-suggested maximum currents.

The heat transfer arrangement of the LED modules **30** is especially advantageous for pre-packaged LEDs **32** having relatively small packaging and for single-diode LED lamps. For instance, the HLMT-PL00 model LED lamps used in the illustrated embodiment employ only a single diode, but since heat can be drawn efficiently from that single diode through the leads and circuit board and into the heat sink, the diode can be run at a higher current than such LEDs are traditionally operated. At such a current, the single-diode LED shines brighter than many LED lamps that employ two or more diodes and which are brighter than a single-diode lamp during traditional operation. Of course, pre-packaged LED lamps having multiple diodes can also be advantageously employed with the present modular mounting arrangement. It is also to be understood that the relatively small packaging of the model HLMT-PL00 lamps aids in heat transfer by allowing the heat sink to be attached to the leads closer to the diode chip.

With next reference to FIG. **5**, a first reflective layer **80** is preferably attached immediately on top of the contacts **60** of the circuit board **50** and is held in position by the rivets **72**. The first reflector **80** preferably extends outwardly beyond the LEDs **32**. The reflective material preferably comprises an electrically non-conductive film such as visible mirror film, which is available from 3M. A second reflective layer **82** is preferably attached to the mount member **76** at a point immediately adjacent the LED lamps **32**. The second strip **82** is preferably bonded to the mount surface **76** using adhesive in a manner known in the art.

With reference also to FIG. **6**, the first reflective strip **80** is preferably bent so as to form a convex reflective trough about the LEDs **32**. The convex trough is adapted to direct light rays emitted by the LEDs **32** outward with a minimum of reflections between the reflector strips **80**, **82**. Additionally, light from the LEDs is limited to being directed in a specified general direction by the reflecting films **80**, **82**. As also shown in FIG. **6**, the circuit board **50** can be mounted directly to any mount surface **76**.

In another embodiment, the aluminum main body portion **56** may be of reduced thickness or may be formed of a softer metal so that the module **30** can be at least partially deformed by a user. In this manner, the module **30** can be adjusted to fit onto various surfaces, whether they are flat or curved. By being able to adjust the fit of the module to the

7

surface, the shared contact surface between the main body and the adjacent heat sink mount surface is maximized, thus improving heat transfer properties. Additional embodiments can use fasteners other than rivets to hold the module into place on the mount surface/heat sink material. These additional fasteners can include any known fastening means such as welding, heat-conductive adhesives, and the like.

As discussed above, a variety of materials can be used for the circuit board portion of the LED module. With specific reference to FIG. 7, another embodiment of an LED module **86** comprises a series of elongate, flat contacts **88** similar to those described above with reference to FIG. 3. The contacts **88** are mounted directly onto the main body portion **89**. The main body **89** comprises a rigid, substantially flat ceramic plate. The ceramic plate makes up the bulk of the circuit board and provides structural support for the contacts **88**. Also, the ceramic plate has a surface area about the same as the combined surface area of the contacts. In this manner, the plate is large enough to provide structural support for the contacts **88** and to conduct heat away from each of the contacts **88**, but is small enough to allow the module **86** to be relatively small and easy to work with. The ceramic plate **89** is preferably electrically non-conductive but has high heat conductivity. Thus, the contacts **88** are electrically insulated relative to each other, but heat from the contacts **88** is readily transferred to the ceramic plate **89** and into an adjacent heat sink.

With next reference to FIG. 8, another embodiment of an LED lighting module **90** is shown. The LED module **90** comprises a circuit board **92** having features substantially similar to the circuit board **50** described above with reference to FIG. 3. The diode portion **94** of an LED **96** is mounted substantially directly onto the contacts **60** of the lighting module **90**. In this manner, any thermal resistance from leads of pre-packaged LEDs is eliminated by transferring heat directly from the diode **94** onto each heat sink contact **60**, from which the heat is conducted to the main body **56** and then out of the module **90**. In this configuration, heat transfer properties are yet further improved.

With reference next to FIGS. 9–12, another embodiment of an LED module **100** is illustrated. As with the LED module **30** discussed above, the LED module **100** preferably comprises a circuit board **50** which includes a contact layer **52**, a dielectric layer **54**, and a main body layer **56**. The contact layer **52** includes a series of electrical traces and contacts, as will be discussed in further detail below. The dielectric layer **54** electrically insulates the traces and contacts relative to one another. The main body layer **56** provides support and helps thermally conduct heat away from the contact layer **52** and dielectric layer **54**.

As best shown in FIG. 9, which shows a plan view of the contact layer **52**, the contact layer **52** comprises a series of six contacts **60**, which comprise elongate and generally parallel electrically conductive flat plates. Leads **40**, **44** of five LEDs **32** attach to the contacts **60** so as to form a linear array of the five prepackaged LEDs **32**, which are arranged in series relative to one another.

First and second elongate power traces **102**, **104** extend in a direction generally transverse to the parallel plates **60**, but parallel to the series array. As with the contacts **60**, the power traces **102**, **104** comprise conductive material, and are electrically insulated from each other and the contacts by the dielectric layer **54**. Secondary connecting portions **106** are also provided adjacent first and second side edges **110**, **112** of the circuit board **50**. The secondary connecting portions **106** are also electrically insulated from the contacts **60** and power traces **102**, **104** by the dielectric layer **54**.

8

A first connector trace **118** extends between the first contact **62** and a first end **120** of the first power trace **102**. A second connection trace **122** extends between the last contact **64** and a second end **124** of the second power trace **104**. The connector traces **118**, **122** place their respective contacts **62**, **64** into electrical communication with the corresponding power traces **102**, **104**.

FIG. 10 shows a view similar to FIG. 9, except that a thin mask layer **126** is applied to selected portions of a top face **130** of the circuit board **50**. FIG. 11 is a sectional view showing layers of the module **100**. The masking layer **126** covers certain portions of the contacts **60** and traces **102**, **104**, **118**, **122**. These covered portions are depicted in phantom lines in FIG. 10. Other portions of the contacts and traces are left uncovered in order to function as solder points so as to facilitate electrical connection with certain other components. The masking layer **126** fulfills an aesthetic function and also protects areas of the contacts that are not used for electrical connections from environmental factors.

With continued reference to FIGS. 10 and 11, the mask layer **126** covers a portion of each of the contacts **60**. However, each of the contacts **60** has a connecting area **66** which is not covered and which accommodates the leads **40**, **44** of the associated LEDs **32**. A connecting portion **132** of both the first and last contacts **62**, **64** is also not covered by the mask layer **126**. The mask layer **126** covers portions of each power trace **102**, **104**. A first end connecting portion **134** of each power trace **102**, **104** is provided at the end closest to the first side edge **110** of the circuit board **50**. Similarly, a second end connecting portion **136** of each power trace **102**, **104** is provided at the end closest to the second side edge **112** of the circuit board **50**. The mask layer **126** does not cover the power traces in the connecting portions **134**, **136**. First and second flexible conductors such as wires **114**, **116** (see FIG. 19) can be connected to the connecting portions **134**, **136** in order to supply power to the LED array.

With reference also to FIG. 12, a layer of adhesive tape **140** is attached to a bottom face **142** of the LED module **100**. As shown, the tape **140** preferably extends across the bottom face **142** and outwardly from the first and second opposing side edges **110**, **112** of the circuit board **50**, creating first and second flaps or ears **144**, **146** of the tape **140**. The tape **140** preferably is malleable and can be bent easily. A backing **148** is provided on the tape **140**. The backing **148** can be peeled away to expose an adhesive layer, and the tape/module can be applied to a desired surface in a manner so that the module **100** is held securely in place on that surface.

A reflective layer **80** is also preferably attached to the circuit board **50**. The reflective layer **80** is preferably held onto the circuit board **50** by a strip of adhesive operating between the mask layer **126** and the reflective cover **80**. The reflective cover **80** preferably extends over the LEDs **32** in a manner as discussed above.

With next reference to FIGS. 13 and 14, the adhesive tape **140** secures a module **100** onto either a flat or a curved surface **76**. In the case of a curved surface, if the module cannot bend sufficiently to keep the module in continuous contact with the curved surface, the flaps or ears of the tape will still be able to securely attach the module onto the curved surface. Of course, it is to be understood that the tape layer **140** can be provided with or without the ears **144**, **146**, and that the ears can be of any desired size and shape.

As mentioned, the LED module **100** has good heat transfer properties. The adhesive tape **140** preferably has properties that complement the heat transfer properties of

the module. In one embodiment, the tape **140** comprises an aluminum tape having a heat-conductive adhesive applied thereto. The aluminum tape is capable of conforming to a curving or undulating surface, and also efficiently transfers heat from the module to the surface onto which it is attached. This aspect proves especially valuable when the module **100** is affixed to a curving heat sink surface **76**, as shown in FIG. **14**, and a large proportion of the module's circuit board **50** does not directly contact the curving surface. In such an instance, heat from the circuit board **50** flows through the ears **144**, **146** to the heat sink **76**.

In still another embodiment, the LED module's main body is formed of a bendable material, which allows the module to fit more closely and easily to a curved wall surface.

As discussed above, an LED module having features of the embodiments described above can be used in many applications such as, for example, indoor and outdoor decorative lighting, commercial lighting, spot lighting, and even room lighting. Such LED modules can also be used in applications using a plurality of such modules to appropriately light a lighting apparatus such as a channel illumination device **160** (see FIG. **15**). Channel illumination devices are frequently used for signage including borders and lettering. In these devices, a wall structure outlines a desired shape to be illuminated, with one or more channels defined between the walls. A light source is mounted within the channel and a planar translucent diffuser is usually arranged at the top edges of the walls so as to enclose the channel. In this manner, a desired shape can be illuminated in a desired color as defined by the color of the lens and/or the LEDs.

With reference next to FIG. **15**, an embodiment of a channel illumination apparatus **160** is disclosed comprising a casing **162** in the shape of a "P." The casing **162** includes a plurality of walls **164** and a bottom **166**, which together define at least one channel. The surfaces of the walls **164** and bottom **166** are diffusely-reflective, preferably being coated with a flat white coating. The walls **164** are preferably formed of a durable sturdy metal having relatively high heat conductivity. In the illustrated embodiment, a plurality of LED lighting modules **30** are mounted to the walls **164** of the casing **162** in a spaced-apart manner. A translucent light-diffusing lens (not shown) is preferably disposed on a top edge **168** of the walls **164** and encloses the channel.

With next reference also to FIG. **16**, the LED module **30** is held securely onto the walls **164** of the channel apparatus by pop rivets **72**, or any other fastening means. Preferably, the connection of the module **30** to the walls **164** facilitates heat transfer from the module **30** to the wall **164**. The channel wall has a relatively large surface area, facilitating efficient heat transfer to the environment and enabling the channel wall **164** to function as a heat sink.

With continued reference to FIGS. **15**–**17**, the LED modules **30** are preferably electrically connected in parallel relative to other modules **30** in the illumination apparatus **160**. A power supply cord **170** preferably enters through one of the walls **164** or the bottom surface **166** of the casing **162** and preferably comprises two **18 AWG** main conductors **172**. Short wires **174** are attached to the first and last contacts **62**, **64** of each module **30** and preferably connect with respective main conductors **172** using insulation displacement connectors (IDCs) **176** as shown in FIG. **17**.

Although the LEDs **32** in the modules **30** are operated at electrical currents higher than typical pre-packaged LEDs, the power efficiency characteristic of LEDs is retained. For example, a channel illumination apparatus **160** using a

plurality of LED modules might be expected to use about 4.5 watts of power.

With reference still to FIG. **17**, the LED modules **30** are preferably positioned so that the LEDs **32** face generally downwardly, directing light away from the diffuser. The light is preferably directed to the diffusely-reflective wall and bottom surfaces **164**, **166** of the casing **162**. By directing the light away from the diffuser, "hot spots" that are associated with more direct forms of lighting, such as typical incandescent and gas-filled bulb arrangements, are avoided.

The reflectors **80**, **82** of the LED modules **30** aid in directing light rays emanating from the LEDs toward the diffusely-reflective surfaces. It is to be understood, however, that an LED module **30** not employing reflectors, or employing only the first reflector **80**, can also be appropriately used.

The relatively low profile of each LED module **30** facilitates the indirect method of lighting because substantially no shadow is created by the module when it is positioned on the wall **164**. A higher-profile light module would cast a shadow on the lens, producing an undesirable, visibly darkened area. To minimize the potential of shadowing, it is desirable to space the modules **30** and accompanying power wires **172**, **174** a distance of at least about $\frac{1}{2}$ inch from the top edge **168** of the wall **164**. More preferably, the modules **30** are spaced more than one inch from the top **168** of the wall **164**.

The small size and low profile of the LED modules **30** enables the modules to be mounted at various places along the channel wall **164**. For instance, with reference to FIGS. **15** and **18**, light modules **30** must sometimes be mounted to curving portions **178** of walls **164**. The illustrated modules **30** are about 1 inch to $1\frac{1}{2}$ inch long, and thus can be acceptably mounted to a curving wall **178**.

In the embodiment shown in FIG. **15**, the casing walls **164** are about 3 to 4 inches deep and the width of the channel is about 3 to 4 inches between the walls. In an apparatus of this size, LED modules **30** positioned on one side of the channel can provide sufficient lighting. The modules are preferably spaced about 5–6 inches apart. As may be anticipated, larger channel apparatus will likely require somewhat different arrangements of LED modules, including employing more LED modules. For example, a channel illumination apparatus having a channel width of 1 to 2 feet may employ LED modules on both walls and may even use multiple rows of LED modules. Additionally, the orientation of each of the modules may be varied in such a large channel illumination apparatus. For instance, some of the LED modules may desirably be angled so as to direct light at various angles relative to the diffusely reflective surfaces.

In order to avoid creating hot spots, a direct light path from the LED **32** to the diffuser preferably is avoided. However, it is to be understood that pre-packaged LED lamps having diffusely-reflective lenses may advantageously be directed toward the channel letter lens.

Individual LEDs emit generally monochromatic light. Thus, it is preferable that an LED type be chosen which corresponds to the desired illumination color of the lighting apparatus. Additionally, if a diffuser is used, the diffuser preferably is chosen to be substantially the same color as the LEDs. Such an arrangement facilitates desirable brightness and color results. It is also to be understood that the diffusely-reflective wall and bottom surface may be coated to match the desired illumination color.

Using LED modules **30** to illuminate a channel illumination apparatus **160** provides significant savings during manufacturing. For example, a number of LED modules, along with appropriate wiring and hardware, can be included

11

in a kit which allows a technician to easily assemble a lighting apparatus by simply securing the modules in place along the wall of a casing and connecting the wiring appropriately using IDCs or the like. There is no need for custom shaping of the light source, as is required with gas-filled bulbs. Accordingly, manufacturing effort and costs are significantly reduced.

Of course, it is to be understood that LED modules having aspects of any of the embodiments of LED modules described above or below can be used in such a channel illumination apparatus, or similar devices.

With reference next to FIGS. 19 and 20, the power traces 102, 104 of the LED modules 100 discussed above with reference to FIGS. 9–14 are configured so that a plurality of modules 100 can easily be connected to one another by simply running a pair of relatively short wires 114, 116 between the power traces 102, 104 of each module 100 and soldering the wires 114, 116 in place on the power trace connecting portions 134, 136. As such, a plurality of LED modules 100 are wired together so that their corresponding LED series arrays are in an electrically parallel configuration.

With continued reference to FIG. 19, the wires 114, 116 preferably have the same length. As such, a plurality of modules 100 can be wired together to form a series or chain of such modules. Since the wires 114, 116 are the same length, the elongate series of modules is easy to mass produce with consistency. Preferably, the wires connect to the modules 100 at the connecting portions 134, 136 which are on generally opposing sides of the circuit board 50. In this manner, the module 100 is substantially longitudinally aligned with the associated flexible wires 114, 116. This arrangement provides a secure connection of the wires to the circuit board 50.

With next reference to FIGS. 21–23, a plurality of modules 100, which have been wired together as shown in the embodiments of FIGS. 19 and 20, can be provided within a dispenser 180 to allow extremely easy and quick installation of the modules 100 into a light fixture such as a channel letter 160.

With reference specifically to FIGS. 21 and 22, a dispensing roll 182 can be provided having a multitude of such pre-wired LED modules 100 wound upon a roller 184. In order to install LED modules 100 within a channel letter 160 or other fixture, a worker will simply arrange the channel letter adjacent the roll 182 of LED modules, pull on the first available LED module 100 and secure the module, via its adhesive backing, in place on the wall 164 of the channel letter. As the module is pulled from the dispenser, adjacent connected modules are also drawn from the dispenser. Thus, once a module 100 is installed, another module 100, which is pre-wired together with the first module, is ready and waiting to be installed on the channel letter wall, as shown in FIG. 22. The worker thus progressively installs the pre-wired LED modules 100, and the dispensing roll 182 dispenses modules as required.

When the appropriate amount of LED modules 100 are installed, the worker simply snips the wires 114, 116, disconnecting the installed LED modules from the LED modules that are still on the dispensing roll 182. The wires 114, 116 of the installed modules are then connected to a power source 186 as depicted in FIG. 20. This method of installation is extremely fast. There is no need for the worker to perform soldering and there is very little wiring.

FIG. 23 shows another method and apparatus for dispensing a plurality of LED modules. In this embodiment, a box

12

190 or other type of dispenser is supplied in which a plurality of wired-together LED modules 100 are placed in an overlapping zigzag pattern. LED modules 100 are drawn from the dispenser as needed and unwind within the box dispenser 190 as they are drawn therefrom.

It is to be understood that, for both of the embodiments of FIGS. 21 and 23, a dispenser 180 can be provided that is sized to hold enough LED modules 100 to provide and satisfy the lighting needs of many channel letters 160 or other types of illumination devices so as to make manufacture of such devices efficient and easy. Such a dispenser could hold any desired number of modules. For example, a roller could be sized to hold 50, 100, 1000 or more modules in such a manner so that the interconnected modules do not become entangled.

Although the dispenser 180 is illustrated as a roller 182 or box 190, it is to be understood that any shape or form of dispenser can be used. In still another embodiment, the chain of wired-together modules can be coiled about itself rather than being wound about a roller.

While the preferred module 100 utilizes tape for securing the module to the surface, it will be understood that the above described dispensing arrangements may be used for modules that are not secured by tape, but by other means such as rivets, screws, glue, epoxy, etc.

In the embodiment illustrated in FIG. 18, the electrical supply wires 114, 116 are soldered directly onto the power trace connecting portions 134, 136. It is to be understood that, in other embodiments, connectors can be provided on the traces, and the wires themselves may have connecting members to mate with the connectors that are provided on the LED module. For instance, FIG. 23 shows an LED module 100 having modular connectors 192 placed thereon. Leads 194 of the connectors 192 are connected to the first and second power traces 102, 104 using solder 68 the connectors 192 are thus electrically connected to the contacts 60. Mounting portions 196 of the connectors 192 engage and are soldered to the contact connecting portions 132 and the secondary connecting portions 106 in order to more securely hold the connector 192 onto the LED modules 100. The modular connectors 192 are adapted to engage mating wire connectors 198. The wire connectors 198 are attached to the electrical supply wires 114, 116. Thus, when the connectors 192, 198 are engaged, the desired electrically parallel arrangement is maintained. In embodiments employing connectors, a channel letter or other illumination apparatus can be assembled by assembling modules and wire components as needed, and simply connecting these components via the connectors.

Although this invention has been disclosed in the context of certain preferred embodiments and examples, it will be understood by those skilled in the art that the present invention extends beyond the specifically-disclosed embodiments to other alternative embodiments and/or uses of the invention and obvious modifications and equivalents thereof. In addition, while a number of variations have been shown and described in detail, other modifications, which are within the scope of this invention, will be readily apparent to those of skill in the art based upon this disclosure. It is also contemplated that various combinations or subcombinations of the specific features and aspects of the embodiments may be made and still fall within the scope of the invention. Accordingly, it should be understood that various features and aspects of the disclosed embodiments can be combined with or substituted for one another in order to form varying modes of the disclosed modular arrange-

13

ment and method. Thus, it is intended that the scope of the present invention should not be limited by the particular disclosed embodiments described above, but should be determined only by a fair reading of the claims that follow.

What is claimed is:

1. A method of making an illuminated signage system, comprising:

providing a sign member comprising at least one channel defined by a plurality of surfaces;

providing a plurality of light emitting diode (LED) modules, each of the LED modules comprising:

at least one LED;

a plurality of electrically conductive contacts, the at least one LED electrically communicating with at least one of the contacts;

a dielectric portion, the contacts being connected to a side of the dielectric portion;

a heat conductive body; and

an adhesive layer, the heat conductive body being disposed between the

dielectric portion and the adhesive layer;

electrically connecting the plurality of LED modules to each other; and

adhering the adhesive layer of each module to at least one of the channel surfaces.

2. The method of claim 1, wherein the adhesive layer comprises a thermally conductive tape.

3. The method of claim 2, wherein the tape comprises a backing, and additionally comprising removing the backing to expose the adhesive layer.

4. The method of claim 2, wherein the tape layer comprises a pair of flexible tape members that extend from opposing edges of the module, and additionally comprising engaging the flexible tape members with the channel surface.

5. The method of claim 2, wherein the thermally conductive tape layer comprises a thin metallic layer.

6. The method of claim 2, wherein the heat conductive body is substantially flat.

7. The method of claim 6, wherein at least one channel surface is flat, and additionally comprising adhering at least one of the modules to the flat channel surface.

8. The method of claim 1, wherein the heat conductive body has a thermal conductivity greater than about 100W/mK.

9. The method of claim 8, wherein the channel surface has a thermal conductivity greater than about 100W/mK.

10. The method of claim 1 additionally comprising adhering at least one module to each of at least two of the channel surfaces.

11. The method of claim 1 additionally comprising providing a translucent diffuser and attaching the diffuser to a front of the channel.

12. The method of claim 11 additionally comprising arranging the modules on the channel surfaces so that light from the modules does not shine directly at the diffuser.

13. The method of claim 1, wherein at least some of the plurality of modules are arranged electrically in parallel.

14. The method of claim 1 additionally comprising electrically connecting the modules to one another before adhering them to the channel surface.

15. The method of claim 14 additionally comprising forming a linear chain of modules by electrically connecting adjacent modules.

16. The method of claim 1, wherein the modules are arranged in a dispenser, and additionally comprising draw-

14

ing successive modules from the dispenser and adhering them into place in the channel.

17. A lighting system comprising:

a plurality of lighting modules adapted to be mounted on a surface of a heat conductive member, each module comprising:

a plurality of light emitting diodes (LEDs);

a plurality of electrically conductive contacts, each of the LEDs electrically communicating with at least one of the contacts in a manner so that the LEDs are configured in a series array between opposing first and second edges of the module;

a dielectric layer having a first side and a second side, the contacts being connected to the first side;

a first electrically conductive power trace and a second electrically conductive power trace disposed on the first side of the dielectric layer, a first one of the contacts being electrically connected to the first trace, and a second one of the contacts being electrically connected to the second trace, the first contact being electrically connected to a positive lead of the series array of LEDs, and the second contact being electrically connected to a negative lead of the series array of LEDs; and

an adhesive layer adapted to fasten the module to a surface of a heat conductive member such that heat from the module is drawn into the heat conductive member through the adhesive;

wherein a plurality of modules are electrically interconnected in a manner so that the first and second power traces of a first module are connected to the first and second power traces of a second module; and

a dispenser, the plurality of interconnected modules being disposed in the dispenser and arranged such that a selected portion of the interconnected modules may be successively dispensed from the dispenser and removed therefrom.

18. A lighting system as in claim 17, wherein the first and second modules are connected by a first wire extending between the first traces of the modules and a second wire extending between the second traces of the modules.

19. A lighting system as in claim 17, wherein a connector is disposed on each of the first and second modules in electrical communication with the first and second traces of the respective module, and a pair of wires have a wire connector on each end of the pair of wires, the wire connectors being adapted to matingly engage the module connectors.

20. A lighting system as in claim 17, wherein each of the modules includes a main body layer disposed between the dielectric layer and the adhesive layer.

21. A lighting system as in claim 17, wherein the dispenser comprises a roller.

22. A lighting system as in claim 17, wherein the dispenser comprises a container, and the modules are arranged in the container in an overlapping zigzag pattern.

23. A lighting system, comprising:

a plurality of interconnected elongate modules, each module comprised of a plurality of light emitting diodes (LEDs) mounted on a dielectric member and arranged in a linear, series connected array along the length of the elongate module, said modules electrically connected in parallel by flexible conductors;

wherein the interconnected modules are arranged on a dispenser such that a selected portion of the interconnected modules may be successively dispensed from the dispenser and removed therefrom.

15

24. The lighting system of claim 23, wherein each modules comprises an adhesive applied to the dielectric member.

25. The lighting system of claim 24, wherein each modules comprises a peel away backing disposed on the adhesive.

26. The lighting system of claim 23, wherein the dispenser comprises a roller, and interconnected modules are wound about the roller.

27. The lighting system of claim 23, wherein the dielectric member has a flat surface, and an adhesive is disposed on the flat surface.

28. The lighting system of claim 23, wherein the interconnected modules are disposed in a coiled arrangement.

29. A method of making a channel illumination apparatus, comprising:

- providing a channel body having an interior surface;
- providing a plurality of interconnected modules, each module comprised of a thermally conductive main body having first and second generally opposed surfaces, a dielectric member having first and second generally opposed surfaces, at least one light emitting diode (LED) mounted on the first surface of the dielectric member, said body first surface contacting at least

16

a substantial portion of the second surface of the dielectric member, said modules electrically connected in parallel by flexible conductors, the interconnected modules being arranged on a dispenser such that a selected portion of the interconnected modules may be successively dispensed from the dispenser and removed therefrom;

drawing successive modules from the dispenser; and mounting the second body surface to the interior surface of the channel body.

30. The method of claim 29, wherein each of the modules comprising an adhesive layer having a peel away backing, and comprising peeling away the backing and the adhering the modules to the channel surface.

31. The method of claim 29, wherein the dispenser comprises a roller, and the plurality of interconnected modules and flexible conductors are provided wound about the roller, and drawing successive modules from the dispenser comprises unwinding modules and flexible conductors from the roller.

* * * * *