



US006474837B1

(12) **United States Patent**
Belliveau

(10) **Patent No.:** **US 6,474,837 B1**
(45) **Date of Patent:** **Nov. 5, 2002**

(54) **LIGHTING DEVICE WITH BEAM
ALTERING MECHANISM INCORPORATING
A PLURALITY OF LIGHT SOURCES**

Primary Examiner—Sandra O’Shea
Assistant Examiner—Anabel Ton
(74) *Attorney, Agent, or Firm*—Walter J. Tencza, Jr.

(76) **Inventor:** **Richard S. Belliveau**, 10643 Floral
Park, Austin, TX (US) 78759

(57) **ABSTRACT**

(*) **Notice:** Subject to any disclaimer, the term of this
patent is extended or adjusted under 35
U.S.C. 154(b) by 26 days.

An apparatus is disclosed incorporating a plurality of light sources, such as a plurality of lighting emitting diodes, and a beam altering mechanism for altering the light projected by the plurality of light sources. Several mechanisms for altering the beam produced by the plurality of light emitting diodes are disclosed. The present invention can be used in for example hand held flashlights and theatrical lighting. The present invention in one embodiment discloses a hand held flashlight incorporating a plurality of light sources and a beam altering mechanism capable of changing the color of the emitted light beam produced by the flashlight. The beam altering mechanism may be comprised of an aperture device, which may be an aperture plate, provided with a plurality of apertures that are strategically aligned with the individual light beams emitted from each of the plurality of light sources. In one embodiment additional apertures containing color modifying filters may also be strategically placed in the aperture device and these modifying filters can be aligned over each of the light sources by rotation of the aperture device. The aperture device may be round and may be mounted centrally to a substrate on which the plurality of light sources are mounted. The plurality of light sources can be arranged symmetrically to provide uniform illumination. The aperture device can be arranged with a plurality of apertures that contain light refractive optics that are strategically placed in the aperture device and provide a means for changing the focus of the overall beam produced by for example a flashlight. The plurality of light sources and the aperture device may be incorporated into a remote controlled lighting device.

(21) **Appl. No.:** **09/716,713**

(22) **Filed:** **Nov. 20, 2000**

(51) **Int. Cl.⁷** **F21V 17/02**

(52) **U.S. Cl.** **362/231; 362/282; 362/319;**
362/232

(58) **Field of Search** 362/35, 232, 293,
362/287, 282, 319, 242

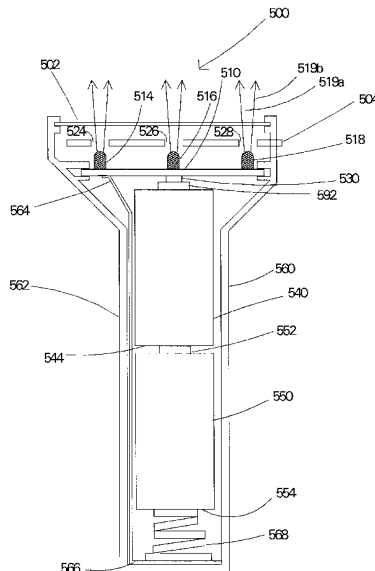
(56) **References Cited**

U.S. PATENT DOCUMENTS

4,048,631 A	9/1977	Flores	340/321
4,314,317 A	2/1982	Robson	362/189
4,697,890 A	10/1987	Crookston	350/407
4,745,526 A *	5/1988	Sestak	362/35
4,964,023 A	10/1990	Nishizawa et al.	362/100
5,014,171 A	5/1991	Price, III	362/277
5,158,357 A	10/1992	McDermott	362/204
5,165,781 A	11/1992	Orak	362/186
5,224,774 A	7/1993	Valle et al.	366/2
5,504,661 A *	4/1996	Szpak	362/30
5,657,293 A	8/1997	Merritt et al.	365/233.5
5,893,626 A *	4/1999	Poling	36/35
6,033,087 A *	3/2000	Shozo et al.	362/244
6,048,080 A *	4/2000	Belliveau	362/282
6,055,006 A	4/2000	Murano	347/118
6,095,661 A	8/2000	Lebens et al.	362/184
6,357,893 B1 *	3/2002	Belliveau	362/285

* cited by examiner

32 Claims, 12 Drawing Sheets



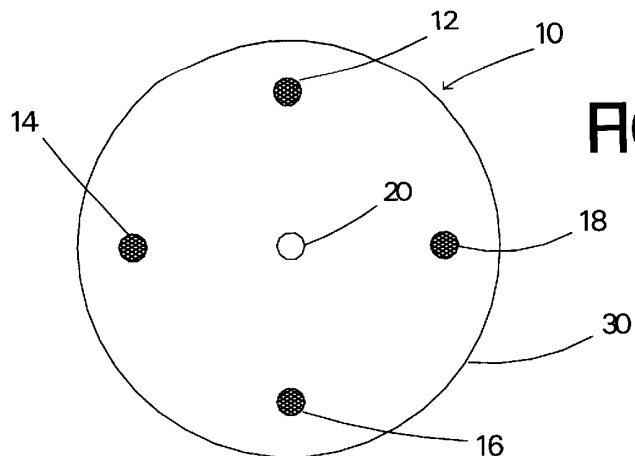


FIG 1A

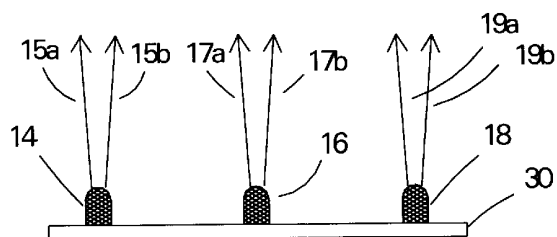


FIG 1B

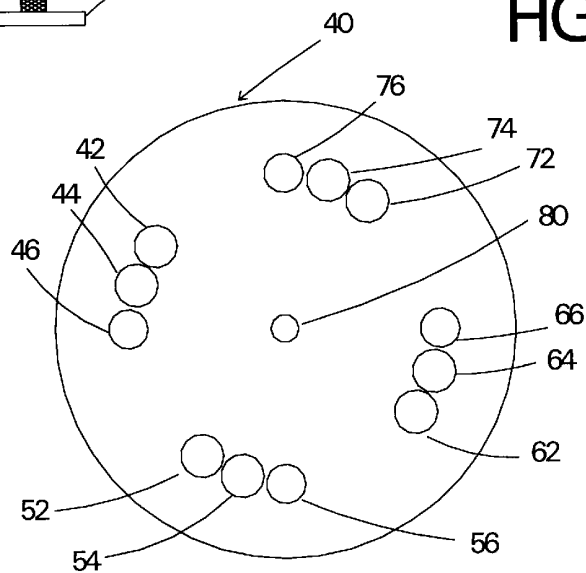


FIG 1C

FIG 2A

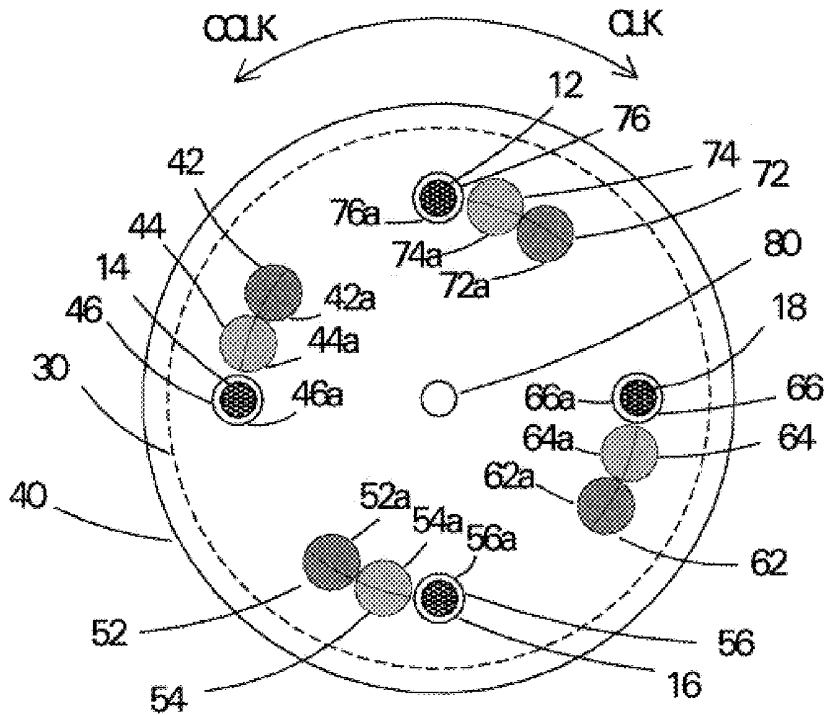


FIG 2B

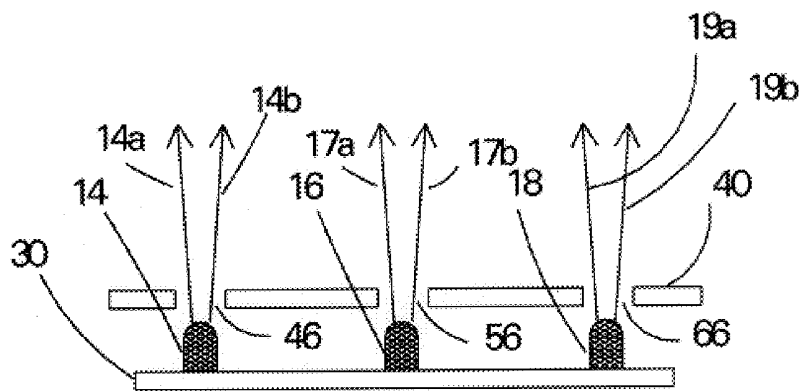


FIG 2C

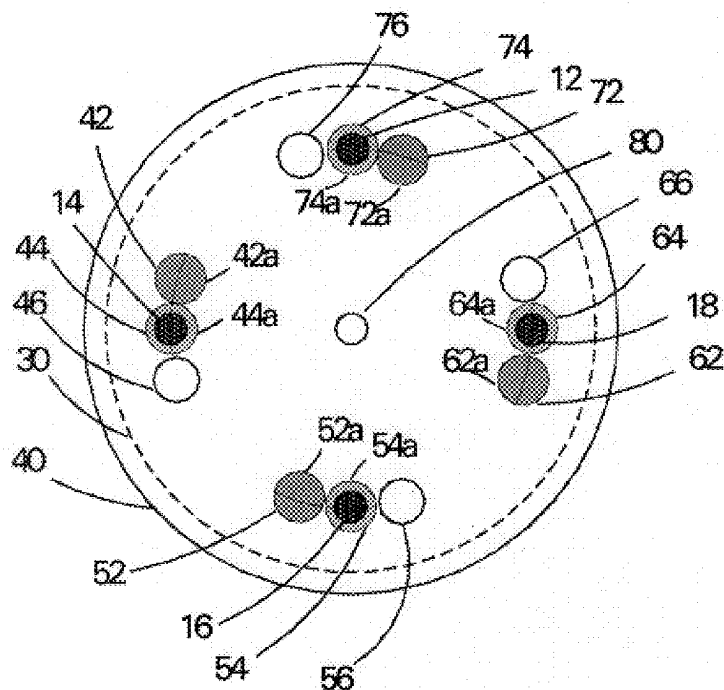


FIG 2D

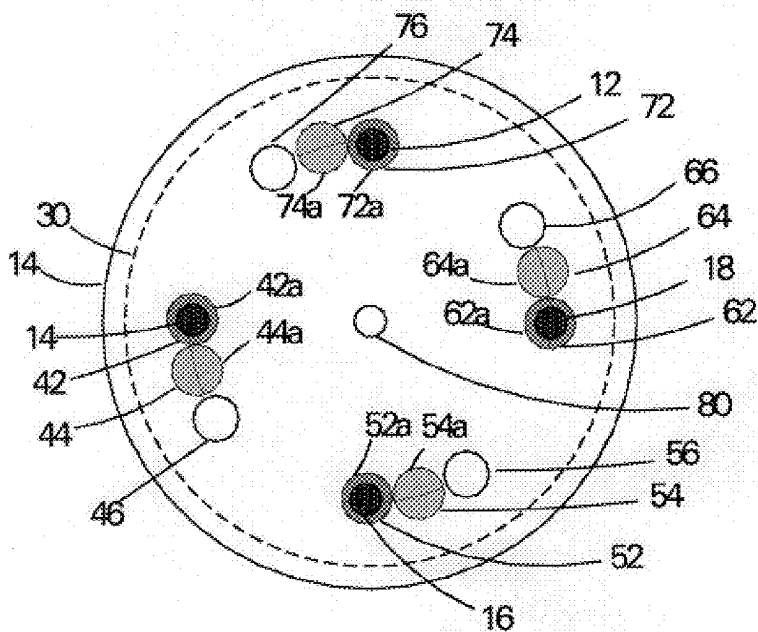


FIG 4A

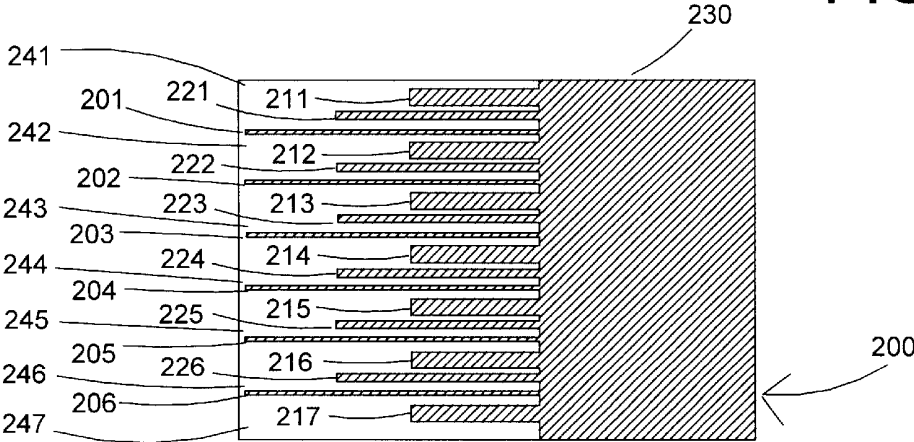


FIG 4B

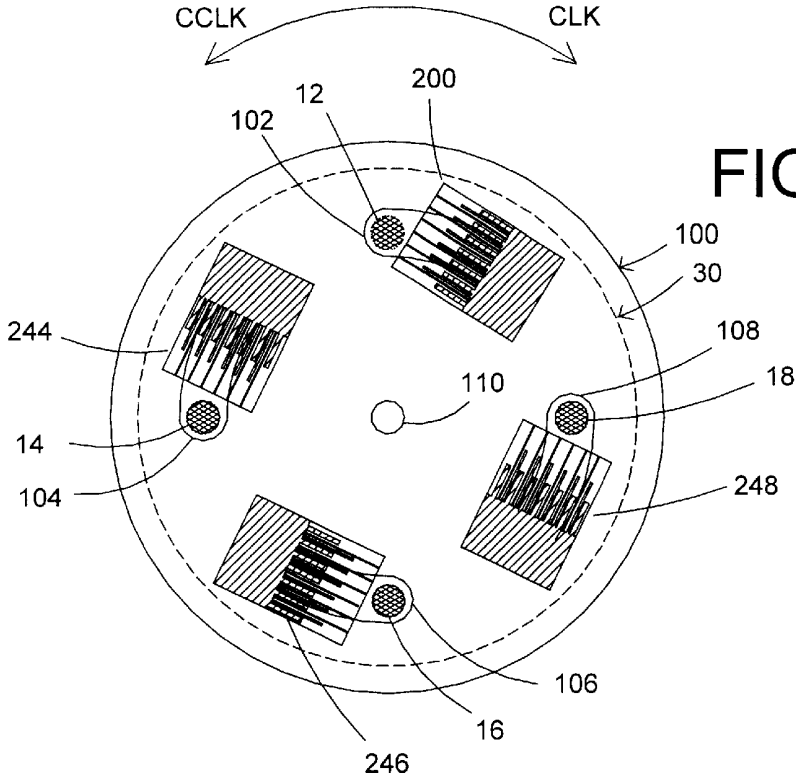


FIG 5A

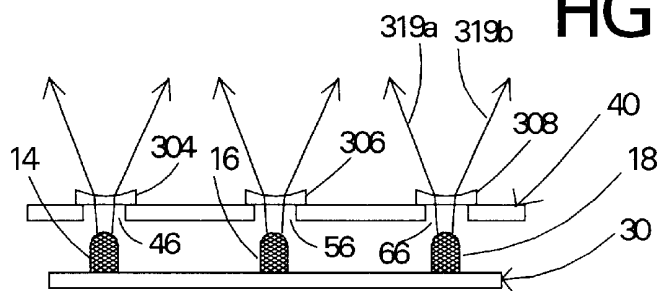


FIG 5B

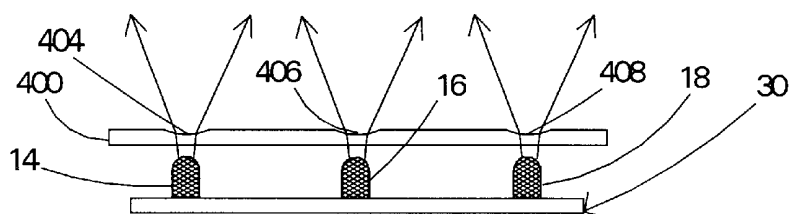


FIG 5C

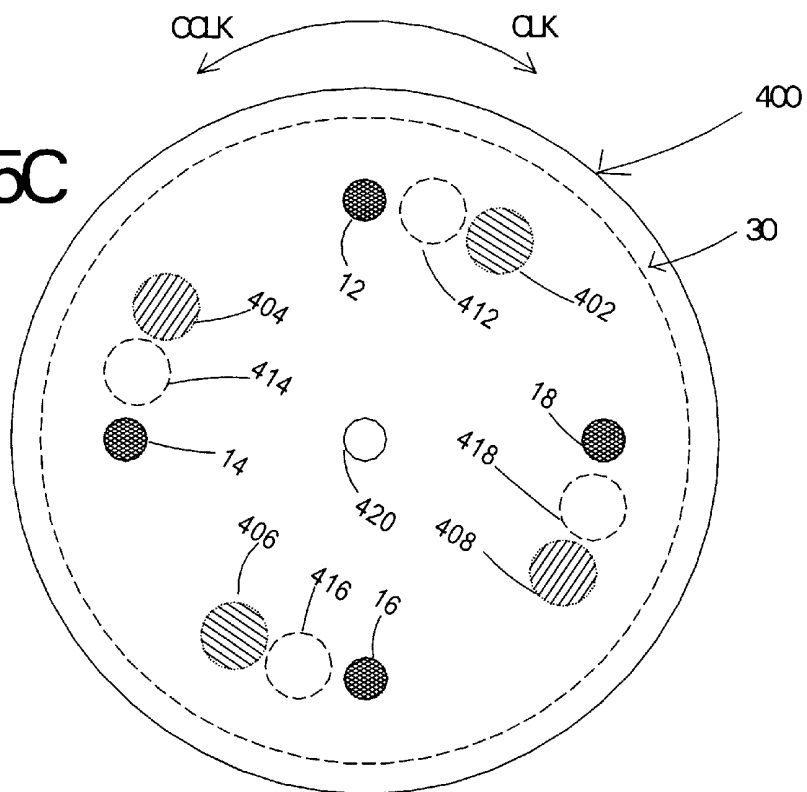


FIG 6

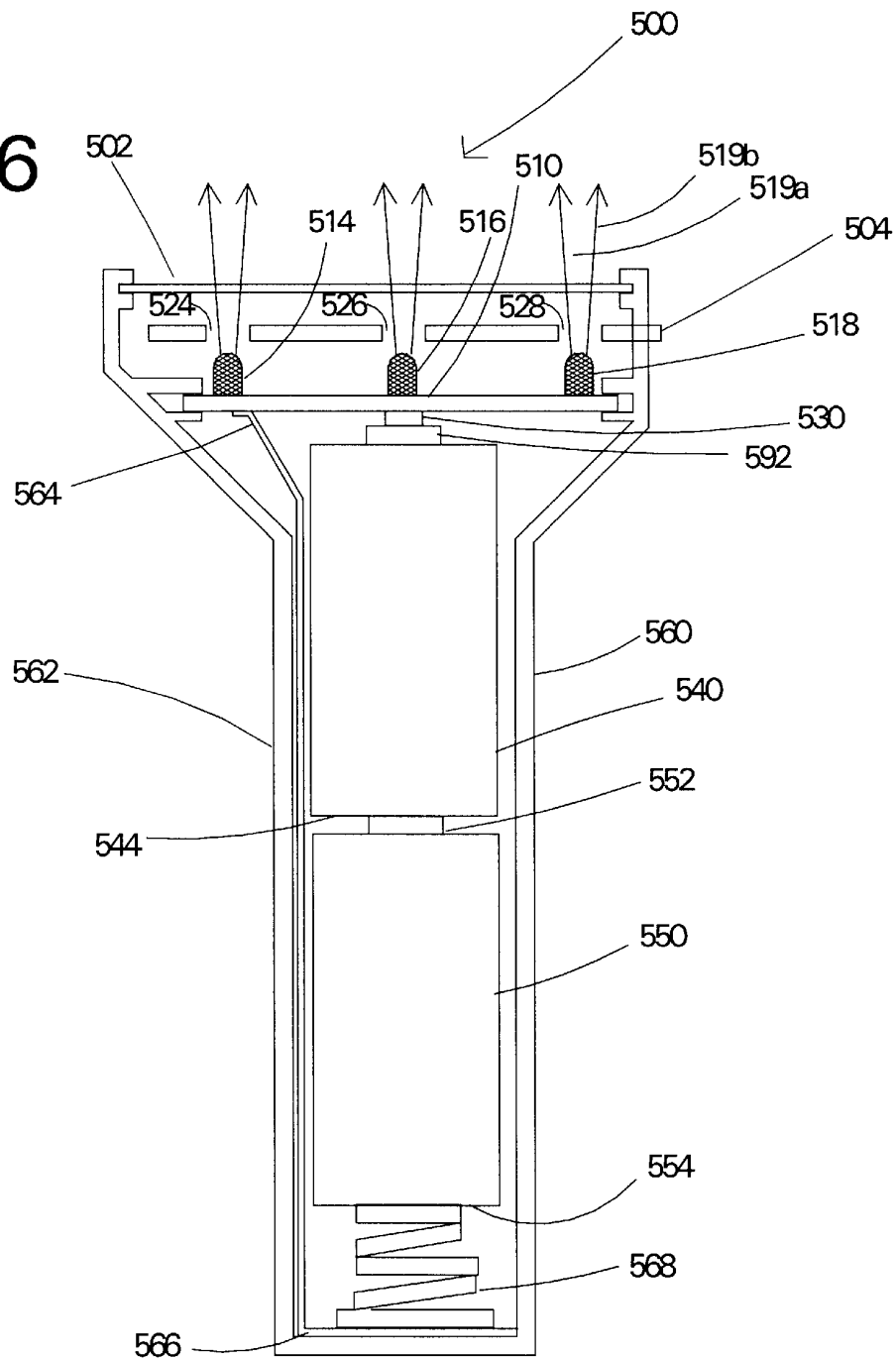


FIG 7A

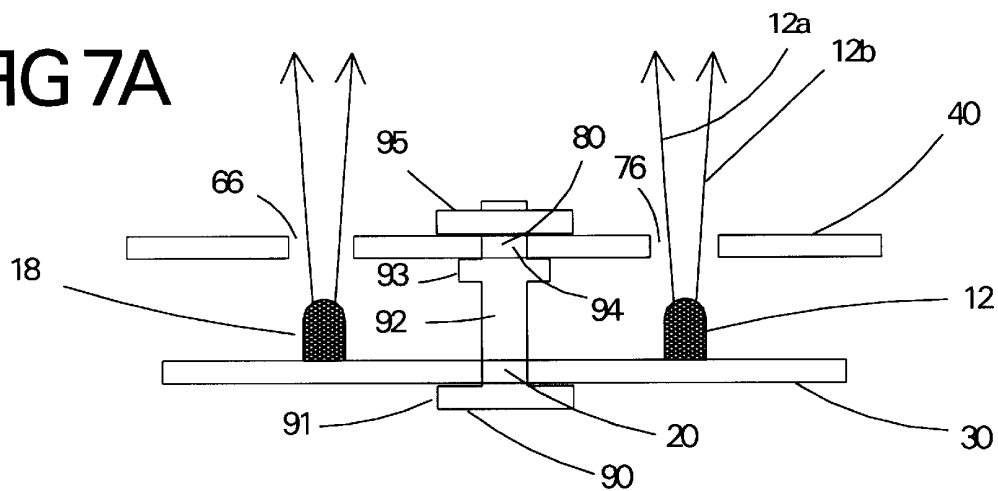


FIG 7B

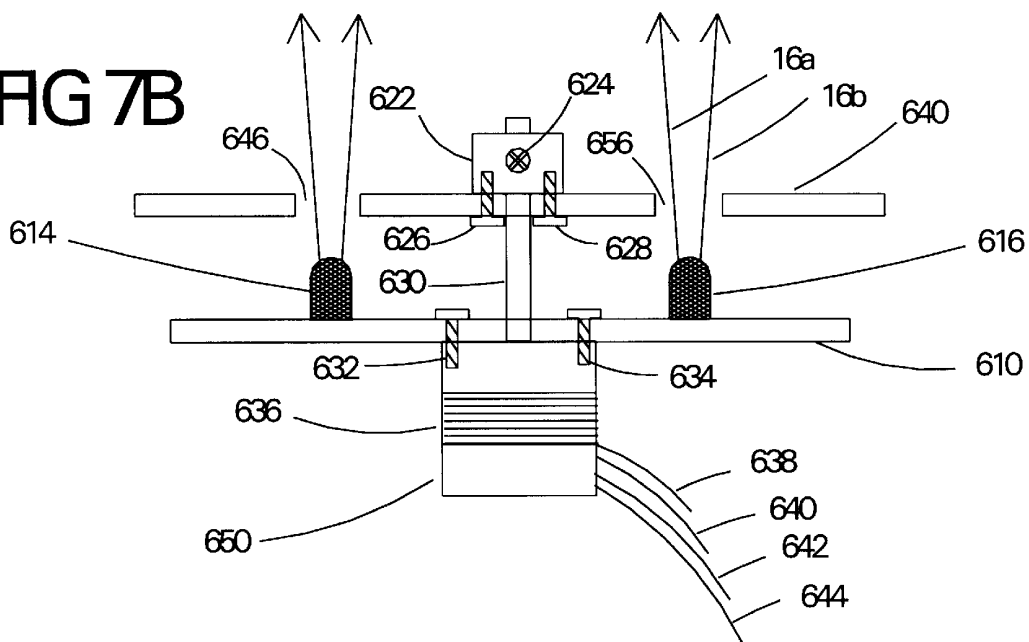


FIG 9

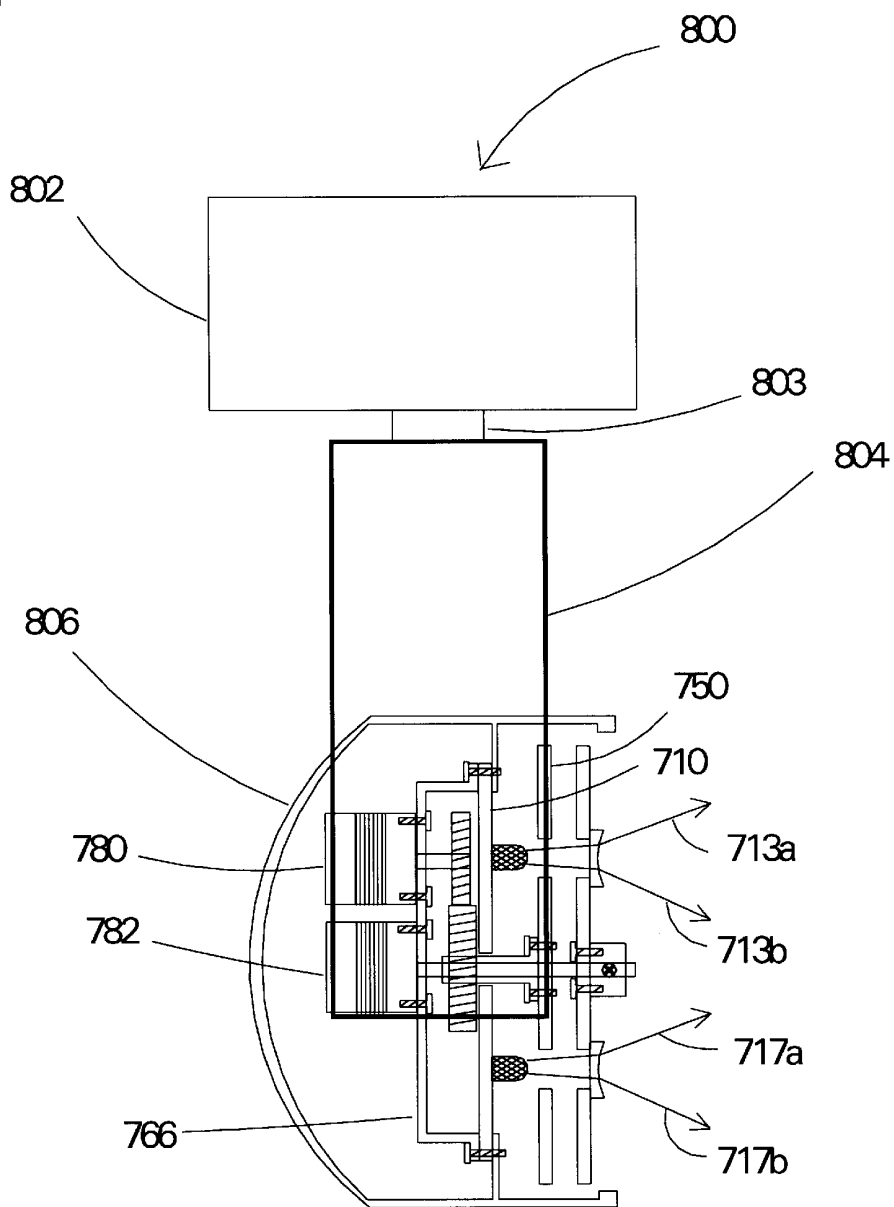


FIG 10A

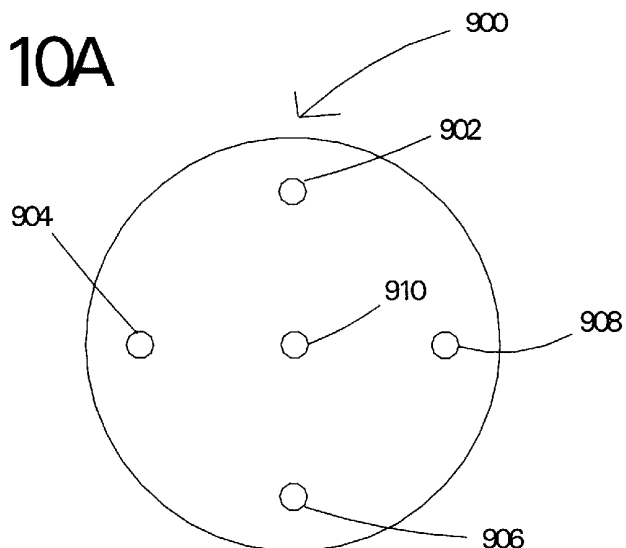
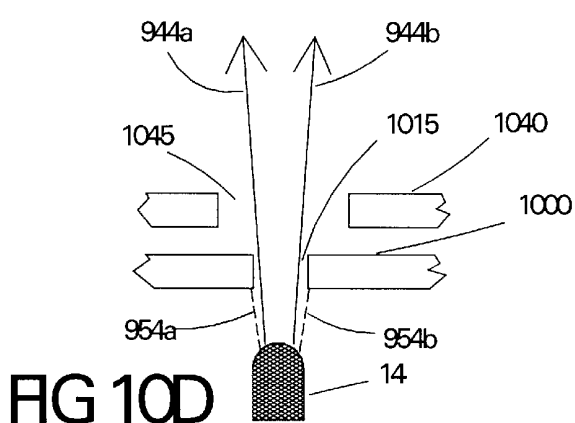
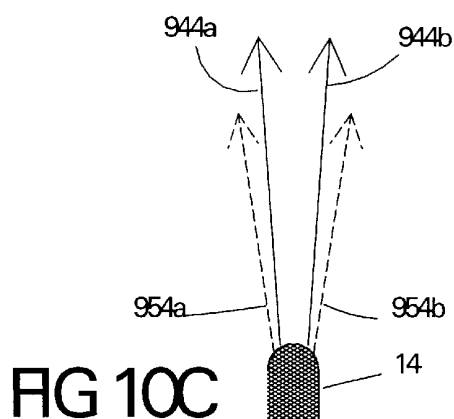
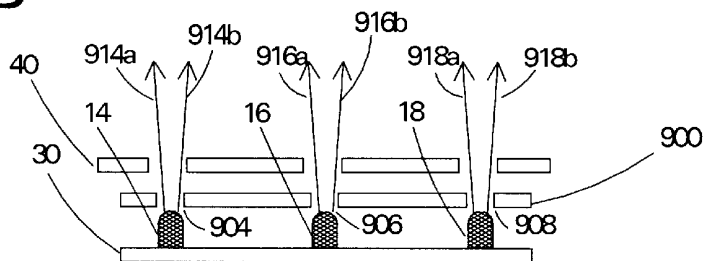


FIG 10B



**LIGHTING DEVICE WITH BEAM
ALTERING MECHANISM INCORPORATING
A PLURALITY OF LIGHT SOURCES**

FIELD OF THE INVENTION

The present invention relates to the field of lighting devices and more particularly to methods of controlling a lighting device including a plurality of light sources.

INCORPORATION BY REFERENCE

The present application incorporates by reference the application titled "Improvements to Lighting Devices Using a Plurality of Light Sources" filed on Mar. 15, 2000, Ser. No. 09/526,599.

BACKGROUND OF THE INVENTION

When using a lighting device to illuminate an area it is often found necessary to alter the beam of the projected light to provide control over the color or focus. For example often a flashlight might be equipped with a means for changing the profile of the emitted light beam from a spot to a wash.

U.S. Pat. No. 4,855,884 to Richardson discloses a variable beam width stage light with a single light source, relying on an axially movable reflector for changes in beam width. The reflector is constructed of a plurality of reflective leaves that are moved by a motor to change the focal length of the reflector. U.S. Pat. No. 4,729,070 to Chiu discloses an adjustable ring for concentrating multiple beams of light. Chiu discloses an apparatus for changing the angle of incidence of a plurality of light sources arranged in a ring. A threaded holder surrounds the ring of light sources while a cam mechanism adjusts the angle of the light sources that is operated by turning the threaded holder. U.S. Pat. No. 5,752,766 to Bailey et al. discloses a multi-color focusable LED stage light. A linear actuator is operable to move a base member containing an array of LEDs which in turn cause the LED array to change the direction of the optical axes of a substantial number of LEDs. By deforming the base member 20 in Bailey, the LEDs can be converged or diverged on an area to be illuminated.

Multi-parameter lights of the prior art utilize a single light source with mechanisms driven by motors to vary the focus, color, position and intensity. U.S. Pat. No. 3,845,351 to Ballmoos et al. titled: "METHOD AND APPARATUS FOR THE ADJUSTMENT OF A PLURALITY OF FLOODLIGHTS" discloses a number of floodlights especially for the illumination of a stage or studio, in which the parameters azimuth, elevation, brightness, focus and color of a bundle of light rays of each floodlight are adjusted to an optimum value for any one of a plurality of lighting effects.

U.S. Pat. No. 4,392,187 to Bornhorst titled: "Computer controlled lighting system having automatically variable position, color, intensity and beam divergence" illustrates another example of the prior art. Each of the instruments houses a central lamp and an optical system designed to collimate the light from the lamp and vary the parameters of the light by inserting motor driven optical components into the light by remote control.

Multi-parameter lights are generally controlled by a central control system via a serial data communications system. An operator operating the central control system may control each multi-parameter light separately to adjust the parameters. Each multi-parameter light may be provided with a communications address so that each multi-parameter

light may be addressed separately by an operator operating the control system.

Multi-parameter lights of the prior art are depicted in a HIGH END SYSTEMS (trademarked) Product Line 1997 brochure. It is known in the art to construct a lighting device using a plurality of light emitting diodes (LEDs) such as disclosed in U.S. Pat. No. 5,752,766 to Bailey et al.

U.S. Pat. No. 5,652,766 to Bailey et al. titled "Multi-color focusable stage light" and is incorporated by reference herein describes an LED stage lighting instrument constructed of arrays of red, blue, and green LEDs.

The red, blue and green LEDs are operated in an additive color system to produce various colors of light by mixing the primary colors of red, blue and green together in various combinations. In my pending application entitled "IMPROVEMENTS TO LIGHTING DEVICES USING A PLURALITY OF LIGHT SOURCES", filed on Mar. 15, 2000, Ser. No. 09/526,599 describe some of the disadvantages of constructing a lighting device using discrete spectral LEDs of Red, Blue and Green. When creating white light through the use of an additive color system using red, green and blue wavelengths (RGB), the spectral energy adjacent to the red, green and blue wavelengths is usually omitted. An RGB system used to create white light can sometimes be problematic when illuminating objects that absorb or reflect very specific wavelengths of light. Illuminating these types of objects with RGB derived white light often may result in an erroneous perception of color by the viewer as compared to viewing the object under continuous spectrum white light.

Broad-spectrum visible white light emitting diodes such as those manufactured by Nichia Chemical Corporation of Japan can be used to produce a lighting device that produces white light without using the discrete spectral LED's used in a color additive system. The term "white light LED" refers to a light emitting diode that provides a spectrum that is seen by the human eye for all purposes as white. One disadvantage is that the device constructed of exclusively white light LED's cannot produce colors without placing a color filter in the path of the projected light. Placing a single filter over a plurality of white light LED's can be accomplished but as the array of white light LEDs increases in numbers the filters become quite large.

U.S. Pat. No. 5,652,766 to Bailey discusses the use of a flexible base member to change the focus of a plurality of red, blue and green LEDs with an LED stage light. My co pending application, Ser. No. 09/526,599 discussed the use of a variable filter that may be a liquid crystal emulsion filter mounted after the light sources. Changing the voltage to the filter causes the light from the light sources to pass through the filter deflected or undeflected depending on the voltage state. The above methods alter the projected light from a narrowed angle to a wider angle by varying the diffusion of the light or by redirecting the individual light sources to a different emitting angle.

SUMMARY OF THE INVENTION

In one embodiment of the present invention, an apparatus is provided comprising a substrate having a first light source and a second light source mounted thereon and an aperture device having a first aperture and a second aperture. The aperture device can be aligned over the substrate so that light from the first light source is emitted through the first aperture and light from the second light source is emitted through the second aperture. The first and second light sources may be light emitting diodes.

The aperture device may be comprised of third and fourth apertures. In one embodiment the aperture device can be

3

aligned over the substrate so that light from the first light source is emitted through the third aperture and light from the second light source is emitted through the fourth aperture. The aperture device may be comprised of an aperture plate which includes the first and second apertures. The aperture plate may be round. The aperture device may be rotationally mounted centrally over the substrate.

Each of the light sources may emit a broad-spectrum visible white light. The aperture device such as an aperture plate may be comprised of a transparent material. The substrate with the light sources mounted thereon and the aperture device may be built into a multi-parameter lighting device or into a flashlight.

Generally a plurality of light sources may be mounted to the substrate. Generally, an aperture plate may be provided with a plurality of apertures that are strategically aligned with the individual light beams emitted from each of the plurality of light sources. There may be a set of apertures for each individual light beam. The aperture device may be referred to as a beam altering mechanism for altering the light projected by the plurality of light sources. The present invention, in various embodiments, may be included in hand held flashlights, theatrical lighting, and may have other applications. Theatrical lighting is used in concerts, special events, nightclubs, television studios, restaurants and theme parks.

The beam altering mechanism (which in one form includes an aperture device) can be capable of changing the color of the emitted light beam produced by for example, a flashlight. In one embodiment additional apertures containing color modifying filters are also strategically placed in the aperture device (or aperture plate) and these modifying filters can be aligned over each of the light sources by rotation of the aperture device, such as an aperture plate.

Access for rotating the aperture plate by the user, in a flashlight embodiment for example, is accomplished by allowing at least part of the aperture plate to protrude from a housing of the flashlight. It is preferred that the plurality of light sources are arranged symmetrically to provide uniform illumination.

In another embodiment of the present invention the aperture device, which may be an aperture plate, is arranged with a plurality of apertures that contain light refractive optics that are strategically placed in the aperture device and provide a means for changing the focus of the overall beam (sum of the light beams from the individual light sources) produced by the flashlight. It is possible that the invention in one or more embodiments could be used to change most of the light beam emitted by the lighting device but the light from one or more LED's may not be changed. Allowing some LEDs to remain unchanged can provide a mixture of white and colored light producing more pastel colors. For an aperture plate with light refractive optics allowing some LEDs to remain unchanged may provide desired differences in the overall profile of the light beam emitted by the plurality of light sources.

A further embodiment of the present invention discloses a remote controlled lighting device incorporating a plurality of light sources and a beam altering mechanism capable of altering the beam of the projected light from each of the light sources. The beam altering mechanism can be comprised of an aperture device, such as an aperture plate, provided with a plurality of apertures that are strategically aligned with the individual light beams emitted from each of the plurality of light sources.

In one embodiment of the present invention, the aperture plate is round and is centrally and rotationally mounted to a

4

shaft connected to a stepping motor. In this embodiment the stepping motor can be capable of remotely rotating the aperture plate into a position. The light sources can be arranged symmetrically to provide uniform illumination.

In another embodiment of the present invention the aperture device is arranged with a plurality of apertures that contain light refractive optics that are strategically placed in the aperture plate and provide a means for changing the focus of the beam produced by the lighting device. A masking device, which may be a masking plate, may also be provided in one embodiment.

BRIEF DESCRIPTION OF THE DRAWINGS

FIG. 1A illustrates a top planar view of a light emitting diode (hereinafter "LED") mounting substrate with four LEDs mounted in a symmetrical fashion;

FIG. 1B illustrates a side view of the substrate of FIG. 1A with arrows indicating the direction of the light emitted by each of the light emitting diodes;

FIG. 1C illustrates an aperture plate with strategically placed apertures that align during rotation with the LED's mounted to the LED mounting substrate of FIG. 1A.

FIG. 2A illustrates the aperture plate of FIG. 1C centrally fixed over the LED mounting substrate of FIG. 1A and employing several color filters mounted over the strategically placed apertures, with arrows indicating the direction of movement;

FIG. 2B illustrates a side view of FIG. 2A;

FIG. 2C illustrates the device of FIG. 2A but with the aperture plate rotated one aperture counter clockwise to place the LEDs coaxial with the one frequency of color filters;

FIG. 2D illustrates the device of FIG. 2A but with the aperture plate rotated two apertures counter clockwise to place the LEDs coaxial with yet another frequency of the two frequencies of color filters shown;

FIG. 3A illustrates another type of aperture plate of the invention with slotted apertures;

FIG. 3B illustrates an aperture plate centrally mounted over the LED mounting substrate of FIG. 1A and employing several color filters mounted over the slotted apertures with arrows indicating the direction of movement;

FIG. 4A illustrates another type of color filter used with an embodiment of the invention and has sections of the filtered area on the filter removed as to provide variable density of the color across it's surface;

FIG. 4B illustrates the color filter type in FIG. 4A applied to the aperture plate of FIG. 3A and mounted over the LED mounting substrate of FIG. 1A in accordance with an embodiment of the present invention;

FIG. 5A shows the side view of another embodiment of the invention wherein an aperture plate which is shown as the aperture plate of FIG. 2A (but may alternatively be the aperture plate of FIG. 3B) is supplied with beam altering lenses and is fixed to operate over the LED mounting plate of FIG. 1A.

FIG. 5B illustrates an aperture plate molded or fabricated of an optical substrate where the lenses or optical beam altering components are an integral component of the aperture plate and wherein the aperture plate is fixed to operate over the LED mounting plate of FIG. 1A;

FIG. 5C illustrates a top planar view of the molded or fabricated optical substrate aperture plate shown in FIG. 5B but rotated;

5

FIG. 6 illustrates a flashlight incorporating the beam altering feature of the present invention for a plurality of LED's;

FIG. 7A illustrates another side view of FIG. 2A showing a centrally mounted pin that interconnects the LED mounting substrate and the aperture plate;

FIG. 7B illustrates another side view of FIG. 2A showing a stepping motor mounted to the LED mounting plate of FIG. 2A and a motor shaft extending through the LED mounting plate and up through the aperture plate and also wherein a hub with a setscrew is shown set to the motor shaft and fixed by fasteners to the aperture plate;

FIG. 8 illustrates an embodiment which is a combination of some of the previous embodiments of the present invention wherein the aperture plate used with the device of FIG. 2A is shown operating on a coaxial system with the aperture plate of FIG. 5A, and in this embodiment both aperture plates are capable of altering the light beam produced by the LED mounting substrate similar to the one shown in FIG. 1A. Two motors and a geared system for operation are shown;

FIG. 9 illustrates a multi-parameter light incorporating the device illustrated in FIG. 8;

FIG. 10A illustrates a masking plate;

FIG. 10B illustrates the masking plate of FIG. 10A incorporated into the device shown in FIG. 2B;

FIG. 10C shows an LED emitting projected light;

FIG. 10D shows a section of a masking plate used in conjunction with the LED of FIG. 10C and an aperture plate;

FIG. 11A shows a top planar view of a substrate with light sources in groups in accordance with another embodiment of the present invention; and

FIG. 11B shows a top planar view of an aperture device mounted centrally over the substrate of FIG. 11A.

DETAILED DESCRIPTION OF THE DRAWINGS

FIG. 1A illustrates a top planar view of an apparatus 10 including a light emitting diode (hereinafter "LED") mounting substrate 30 with LEDs 12, 14, 16, and 18 mounted on the substrate 30 in a symmetrical fashion. The substrate 30 includes a central mounting hole 20 at the center of the substrate. The substrate 30 can be circular in shape as shown.

It is preferred that the LEDs 12, 14, 16, and 18 be basically symmetrically mounted as to provide ease of construction and even illumination of the projected light, such as the light, whose direction is shown by arrows 15a, 15b, 17a, 17b, 19a and 19b. The mounting substrate 30 may be made of circuit board material. The mounting substrate 30 acts as a base for the LEDs 12, 14, 16, and 18. There would be electrical contacts to the LEDs 12, 14, 16, and 18 and driving circuit to the LED's 12, 14, 16, and 18, not shown to light the LEDs, however these are well known in the art. The LED mounting substrate 30 could be made of a plastic, elastomer, metal, glass or other suitable material. The LEDs 12, 14, 16, and 18 may each be manufactured in a plastic or glass casing as known in the art. The casing of each LED may contain a lens to direct the direction of the projected light beam created by each LED of LEDs 12, 14, 16, and 18. The LEDs 12, 14, 16, and 18 may also be constructed of a reflector LED combination where the reflector directs the direction of the projected light as known in the art.

FIG. 1B illustrates a side view of the apparatus 10 of FIG. 1A. FIG. 1B additionally shows arrows for the direction of

6

light from each of the light emitting diodes 14, 16, and 18. LED 14 emits light in the direction shown by arrows 15a and 15b, LED 16 emits light in the direction shown by arrows 17a and 17b, and LED 18 emits light in the direction shown by arrows 19a and 19b.

FIG. 1C illustrates an aperture plate 40 with strategically placed apertures that align during rotation with the LED's mounted to the LED mounting substrate 30 of FIG. 1A. Aperture plate 40 includes apertures 42, 44, 46, 52, 54, 56, 62, 64, 66, 72, 74, and 76. Aperture plate 40 also includes a hole 80 for aligning with the hole 20 of the substrate 30. The twelve apertures (42, 44, 46, 52, 54, 56, 64, 66, 72, 74, and 76) are arranged into four groups of three apertures and each group of three apertures is strategically placed as to align coaxially with the LED's 12, 14, 16, and 18 shown in FIG. 1A when the aperture plate 40 is centrally mounted to the LED mounting substrate 30 of FIG. 1A. The aperture plate 40 is then rotated to select one of the three apertures to align coaxially over the corresponding LED (of 12, 14, 16, and 18) on the LED mounting substrate 30. The aperture plate 40 may be able to rotate three hundred sixty degrees or may be restricted in motion, for example by a stop, so that only one of a set of three apertures can lie over each of LED's 12, 14, 16, and 18, with each LED having its own set of three possible apertures.

Various methods or apparatus such as a limiting switch or an encoder could be used to keep track of the location of the rotational position of the aperture plate 40 in relation to the LED mounting substrate 30.

FIGS. 2A and 2B illustrate top and side views of the aperture plate 40 of FIG. 1C centrally fixed over the LED mounting substrate 30 of FIG. 1A. FIG. 2A also shows color filters 42, 44, 52, 54, 62, 64, 72, and 74 which may be attached to the aperture plate 40 and mounted over strategically placed apertures. The color filters are not shown in the FIG. 2B view to simplify description.

FIGS. 2A and 2B show apertures 46, 56, and 66, directly over LEDs 14, 16, and 18, respectively. FIG. 2A shows color filters 42a, 44a, 52a, 54a, 62a, 64a, 72a, and 74a at the location of apertures 42, 44, 52, 54, 62, 64, 72, and 74, respectively.

In FIG. 2A a top view of the aperture plate 40 is shown mounted over the LED mounting substrate 30. Two different frequencies of color filters are shown mounted over two of the apertures of each of the four sets of three apertures. For example color filters 42a and 44a which are of different frequencies are shown mounted over aperture 42 and 44. Filter 42a is shown with dark shading and filter 44a is shown with light shading. Filters 52a, 62a, and 72a have the same color and the same frequency as filter 42a. Filters 54a, 64a, and 74a have the same color and the same frequency as filter 52a. Each of the color filters may be plastic, or glass and be absorbing or reflective as known in the art. Each of the color filters may be fixed to the aperture plate 40 by gluing or by pressure clip or other suitable means known in the art. Two arrows that indicate "CCLK" for counter clockwise and "CCK" for clockwise are depicted in FIG. 2A. Also shown are the LED's 12, 14, 16, and 18 of the LED mounting substrate 30 shown coaxial with four of the apertures 76, 46, 56, and 66, respectively to allow light to pass unfiltered. The center hole 80 shown in FIG. 2A may represent an axle pin 90 of FIG. 7A or a hub 622 of FIG. 7B. The dotted circular line represents the outside diameter of the LED mounting substrate 30 of FIG. 1A.

FIG. 2C illustrates a device of FIG. 2A but with the aperture plate 40 rotated one aperture counter clockwise

with respect to the substrate **30**, to place the LEDs **12**, **14**, **16**, and **18** coaxial with the one frequency of color filters. FIG. 2C shows the LED **14** coaxial with the aperture **44** and filter **44a**, so that light from the LED **14** passes through the aperture **44** and then through the filter **44a**, and is filtered by filter **44a**. Similarly FIG. 2C shows LEDs **16**, **18**, and **12** coaxial with apertures **54**, **64**, and **74** having filters **54a**, **64a**, and **74a**. The filters **44a**, **54a**, **64a**, and **74a** are of the same frequency, such as for example 520 to 540 nanometers to pass green light, and filter the light from LEDs **14**, **16**, **18**, and **12** respectively in the same or in a similar manner.

FIG. 2D illustrates the device of FIG. 2A but with the aperture plate **40** rotated two apertures counter clockwise with respect to the substrate **30** to place the LEDs **12**, **14**, **16**, and **18** coaxial with yet another frequency of the two frequencies of color filters shown. FIG. 2D shows the LED **14** coaxial with the aperture **42** and filter **42a**, so that light from the LED **14** passes through the aperture **42** and then through the filter **42a**, and is filtered by filter **42a**. Similarly FIG. 2D shows LEDs **16**, **18**, and **12** coaxial with apertures **52**, **62**, and **72** having filters **52a**, **62a**, and **72a**. The filters **42a**, **52a**, **62a**, and **72a** are of the same frequency, such as for example 650 to 670 nanometers to pass red light, and filter the light from LEDs **14**, **16**, **18**, and **12** respectively in the same or in a similar manner.

FIG. 3A illustrates an aperture plate **100** of another embodiment of the present invention having slotted apertures **102**, **104**, **106**, and **108**. The aperture plate **100** includes a hole **110**. FIG. 3B illustrates the aperture plate **100** centrally mounted over the LED mounting substrate **30** of FIG. 1A and employing color filters **122**, **124**, **126**, **128**, and **132**, **134**, **136**, and **138**. The color filters **122** and **132** are mounted over the slotted aperture **102**. Color filters **124** and **134** are mounted over the slotted aperture **104**. Color filters **126** and **136** are mounted over the slotted aperture **106**. Color filters **128** and **138** are mounted over the slotted aperture **108**.

Two different frequencies of color filters are shown mounted over sections of a slotted aperture. Four slotted apertures are shown with each aperture allowing for the light projected from the corresponding LED on the LED mounting substrate **30** to pass its projected light unobstructed. For example LED **12** can pass through slotted aperture **102** unobstructed as shown in FIG. 3B or either filter **122** or filter **132** may be placed over the LED **12**. Filters **122**, **124**, **126**, and **128** may be all have the same color and the same frequency. Filters **132**, **134**, **136**, and **138** may all have the same color and the same frequency.

The color filters **122**, **124**, **126**, **128**, **132**, **134**, **136**, and **138** may be plastic, or glass and may be absorbing or reflective as known in the art. The color filters **122**, **124**, **126**, **128**, **132**, **134**, **136**, and **138** may be fixed to the aperture plate **100** by gluing or by pressure clip or other suitable means known in the art. Two arrows that indicate "CCLK" for counter clockwise and "CLK" for clockwise are depicted. The center hole **110** shown in FIG. 3B may represent the axle pin **90** of FIG. 7A or the hub **622** of FIG. 7B. The dotted circular line represents the outside diameter of the LED mounting substrate **30** of FIG. 1A.

Slotted apertures **102**, **104**, **106**, and **108** of the aperture plate **100** allow modification of the light from the LEDs **12**, **14**, **16**, and **18** in a somewhat more continuous manner as opposed to the aperture plate **40** of FIG. 1C, where there are sections between apertures. I.e. In FIG. 1C there is a solid section between aperture **42** and **44** for example, which can obstruct the projected light when selecting apertures. A

slotted aperture may be designed of a different geometrical shape than the ones shown as **102**, **104**, **106**, and **108** of FIG. 3A. For example the aperture **102** of FIG. 3A is shown for the most part oval. A rectangular shaped aperture could be substituted for the aperture **102** of FIG. 3A and still achieve similar results.

FIG. 4A illustrates a color filter **200** which can be used with an embodiment of the present invention. The color filter **200** has sections dark sections **201–206**, **211–217**, and **221–226**, and **230**, all of which have filtering material. The color filter also has clear sections **241–247** which do not have filtering material.

Sections **241–247** or the clear sections are sections where the filter material has been removed or not applied to let light pass through unfiltered. As aperture plate **100** of FIG. 4B is turned Counter Clockwise some of the filter material passes over an LED, such as LED **12**. The further Counter Clockwise aperture plate **100** is turned the higher the density of the filter material is placed over the LED **12**. Various types of known variable density filters could be used. For example, a known silk screen filter material on a clear plastic in a dot pattern can be used instead of filter **200**. The silk screen filter is screened with dots that have less space between the dots in one direction.

Various sections of the filtered material area (such as sections **201–206**, **211–217**, and **221–226**, and **230**) can be removed as to provide variable density of color across the surface of the color filter **200**. In FIG. 4A the substrate of the filter **200** itself may be made of clear plastic or glass. The dark lines (such as for sections **201–206**, **211–217**, **221–226**) represent where the color filter dye or coatings are applied to the substrate of the filter **200**. For example dark lines **201** through **206** represent the minimum amount of color density to the left hand side of FIG. 4A. As you move across the filter **200**, lines **221** through **226** become apparent and thus there is a higher density of color filtering material.

The methods of creating variable density filters are known in the art. Variable filters, such as filter **200**, may be constructed of plastic or glass and the manufacture and production are known in the art.

FIG. 4B illustrates a plurality of color filters of the same type as color filter **200** in FIG. 4A applied to the aperture plate **100** of FIG. 3A and mounted over the LED mounting substrate **30** of FIG. 1A in accordance with an embodiment of the present invention. FIG. 4B shows color filters **200**, **244**, **246**, and **248**. The color filters **200**, **244**, **246**, and **248** may be of the same type. Color filters **200**, **244**, **246**, and **248** are mounted to the aperture plate **100**. The aperture plate **100** can rotate in a clockwise direction ("CLK") or in a counterclockwise direction ("CCLK") as shown in FIG. 4B. Rotation of the aperture plate **100** causes the filters **200**, **244**, **246**, and **248** to move with respect the LEDs **12**, **14**, **16**, and **18**. For example filter **200** can be moved over LED **12** in a graduated movement to add more saturation of color to the LED **12**. Typically, one filter corresponds to one LED, and each filter, such as filter **200**, can be positioned relative to the each LED, such as LED **12**. Filter **200** may cover LED **12** with different sections of the filter **200** covering LED **12**. I.e. in one position, light from LED **12** may only pass through one or more of clear sections **241–247** and one or more of thin filter sections **201–206** (but not through sections **211–217** or **230**). In a second position of the aperture plate **100**, light from LED **12** may pass through one or more of filter sections **211–217** (but not through section **230**). In a third position, light from LED **12** may pass only through section **230**.

Four slotted apertures **102**, **104**, **106**, and **108** are shown with each aperture allowing for the light projected from the corresponding LED on the LED mounting substrate **30** to pass its projected light unobstructed. The variable density color filters **200**, **244**, **246**, and **248** may be fixed by gluing or by pressure clip or other suitable means known in the art. Two arrows that indicate “CCLK” for counter clockwise and “CCK” for clockwise are depicted. The center hole **110** shown in the drawing may represent the axle pin **90** of FIG. 7A or the hub **622** of FIG. 7B. The dotted circular line represents the outside diameter of the LED mounting substrate **30**. An aperture plate, similar to aperture plate **100**, may be constructed of the filter material substrate, which is used for a filter, such as filter **200**. This filter material could be glass or plastic. Areas of the filter material substrate could be removed by striping or cutting to function as the variable density filter **200**. Strategically placed stripped or cutaway apertures on the aperture plate made of the filter material substrate can be designed to align with one or more of the LEDs **12**, **14**, **16**, and **18** of LED mounting substrate **30** FIG. 1A.

FIG. 5A shows the side view of another embodiment of the invention the aperture plate **40** of FIG. 2A is shown (but may alternatively be the aperture plate **100** of FIG. 3B) and is supplied with beam altering lenses **304**, **306**, and **308** which are fixed to the aperture plate **40** and which can rotate over the LED mounting substrate **30** of FIG. 1A. The aperture plate **40** in FIG. 5A is shown centrally rotatably mounted to the substrate **30**.

The altering lenses **304**, **306**, and **308** may be light refractive optics that are fixed to the aperture plate **40** over apertures **46**, **56**, and **66**. The apertures **46**, **56**, and **66** can be aligned simultaneously with a corresponding LED **14**, **16**, and **18** on the LED mounting substrate **30** as shown in FIG. 5A. In the preferred version at least one position of the aperture plate **40** allows at least two of the LED's (of LEDs **12**, **14**, **16**, and **18**) to pass their projected light essentially unobstructed. The aperture plate **40** with the additional of lenses **304**, **306**, and **308**, can be made of any suitable material including glass, metal or plastic. The light refractive optics **302**, **304**, and **306** can be fixed to the aperture plate **40** by gluing or by pressure clip or other suitable means known in the art. The light refractive optics may have positive or negative optical power. It is preferred that the light refractive optics **302**, **304**, and **306** have substantially the same optical power. They may be positive lenses, negative lenses, fresnel lenses or lenticular lenses as known in the art. The light refractive optics may also be formed of a diffusion material as well known in the art.

FIG. 5B illustrates an aperture plate **400** molded or fabricated of an optical substrate where the lenses or optical beam altering components are an integral component of the aperture plate **400** and wherein the aperture plate **400** is fixed to operate over the LED mounting substrate **30** of FIG. 1A. The aperture plate **400** includes lenses **404**, **406**, and **408** which are an integral part of the aperture plate **400**. FIG. 5B illustrates a device essentially the same as FIG. 5A except the aperture plate **400** (still incorporating strategically placed apertures) is constructed of an optical material that may have the light refractive optics or lenses **404**, **406**, and **408** molded or fabricated into the material. The manufacture of light refractive optics in optical materials is well known in the art.

FIG. 5C illustrates a top planar view of the molded or fabricated optical substrate aperture plate **400** shown in FIG. 5B. Portions **402**, **412**, **404**, **414**, **406**, **416**, **408** and **418** are shown. The LEDs **12**, **14**, **16**, and **18** of the LED mounting

plate **30** are shown transparently through the molded or fabricated optical aperture plate **400**. Since the aperture plate **400** is transparent it does not require through hole apertures. If one wished, through hole apertures could be strategically placed in the aperture plate to reduce light loss when light projected by the LEDs **12**, **14**, **16**, and **18** is required without light refractive optics. Plates fabricated of transparent glass or plastics can have the through holes drilled, cut or molded as known in the art. Shown in FIG. 5C are eight strategically placed beam-modifying optics **402**, **412**, **404**, **414**, **406**, **416**, **408**, and **418** fabricated into the optical aperture plate **400**. Shown are four beam modifying optics **412**, **414**, **416**, and **418** of a radial type such as a positive or negative lens. It is preferred that the lens type selected have substantially the same optical power. These are depicted by the four small dotted circles. Shown are four lenticular type lenses **402**, **404**, **406**, and **408** shown by the lenticular lines. It is preferred that the lens type selected have substantially the same optical power. Two arrows that indicate “CCLK” for counter clockwise and “CCK” for clockwise are depicted. The center hole **420** shown in the drawing may represent the axle pin **90** of FIG. 7A or the hub **622** of FIG. 7B. The large dotted circular line represents the outside diameter of the LED mounting substrate **30** of FIG. 1A.

As the aperture plate **400** is rotated over the LED mounting substrate **30** in a counterclockwise direction, the light refractive optics **412** through **418**, are positioned strategically over the LEDs mounted to the LED substrate. The light refractive optics **412** through **418** shown as lenses such as **304** through **308** of FIG. 5A. The lenses shown in FIG. 5A are known in the art as negative lenses. Next with further counterclockwise rotation of **400** of FIG. 5C “lenticular lenses” **402** through **408** are strategically positioned over the LEDs. The lenticular lenses are shown on the aperture plate of FIG. 5C along with the negative lenses as an example of a combination wheel with different light refractive optic types. Lenticular lenses are known in the art.

FIG. 6 illustrates a flashlight **500** incorporating the beam altering feature of the present invention for a plurality of LED's. The flashlight **500** includes a transparent cover **502**, an aperture plate **504** having openings **524**, **526**, and **528**, substrate **510**, LEDs **514**, **516**, and **518**, a terminal **530** which is connected to the substrate **510**, a battery **540** and a battery **550**, outer housing **562**, outer housing **560**, spring conductors **564**, **566**, and spring **568**. Battery **540** has terminals **542** and **544**. Battery **550** has terminals **552** and **554**. FIG. 6 shows arrows **519a** and **519b** to show the direction of light emitted by LED **528**.

The LED mounting substrate **510** is centrally mounted under the aperture plate **504**. The aperture plate **504** may have color filters or beam modifying optics or a combination of both as described earlier in the present application. The aperture plate **504** and the LED mounting substrate **510** are centrally mounted as shown in FIG. 7A. Part of the aperture plate **504** is allowed to protrude through the housing **560** of the flashlight **500** to permit rotation of the aperture plate **504** and bring the strategically aligned filters into or out of position over the LEDs **514**, **516**, and **518** on the LED mounting substrate **510**. The electrical connection to the batteries **540** and **550** located beneath the LED substrate **510** may be incorporated into the axle pin **90** like the pin shown in FIG. 7A. However any type of electrical connection to the LED mounting substrate **510** might be used. A power switch is not shown for simplification.

The LED substrate, such as substrate **30** may of course not be round but round or circular is preferred. The aperture plate, such as plate **40** may not be round but round or circular

is preferred. The mounting of the aperture plate, such as **40** to the LED mounting substrate, such as **30**, may be a pin **90** like that shown in FIG. 7A or it could be a fastener or bushing sleeve or any other method. The aperture plate **40** or the LED mounting substrate **30** do not have to be mounted centrally but it is preferred. The mounting could take place around the circumference with bearings that still allow the positioning of the aperture plate, such as **40**, to be variably aligned with the LED mounting substrate, such as **30**. It may be possible to “slide” the aperture plate **40** across an LED mounting substrate **30** to strategically align the apertures with the LEDs (such as **12**, **14**, **16**, and **18**) on the LED mounting substrate **30**.

FIG. 7A illustrates another side view of FIG. 2A showing a centrally mounted pin **90** that interconnects the LED mounting substrate **30** and the aperture plate **40**. The center mounting pin **90** includes outer portion **91**, and portions **92**, **93**, and **94**. A retaining clip **95** is shown clipped onto the axle pin **90** to secure the aperture plate **40** to the pin **90**. A portion **92** of the pin may fit through a hole **20** in the substrate **30** and a portion **94** may fit through the hold **80** in the aperture plate **40**. The portion **93** keeps the aperture plate **40** a certain distance above the substrate **30** so that the LEDs **18** and **12**, and other LEDs are not crushed by the plate **40**. The direction of light emitted, for example by LED **12**, is shown by arrows **12a** and **12b** coming through opening **76** in plate **40**.

In FIG. 7A the axle mounting pin **90** is shown mounted from the bottom of the LED mounting substrate **30**. The perspective of the LED mounting substrate **30** shown in FIG. 1B has been changed to the FIG. 7A perspective to facilitate the illustration of the axle mounting pin **90**. The axle pin **90** is pressure fitted to the substrate center hole **20** in a manner known in the art. The aperture plate **40** is shown with the pin **90** passing through the center point **80** of the aperture plate **40**. The aperture plate **40** can be rotated in relation to the LED mounting substrate **30**.

FIG. 7B illustrates a side view of another embodiment of the present invention showing a stepper motor **650** mounted to an LED mounting substrate **610** (may be similar to substrate **30** of FIG. 2A) and a motor shaft **630** extending through the LED mounting substrate **610** and up through an aperture plate **640** (which may be similar to mounting plate **40** of FIG. 1C). FIG. 7B also shows LEDs **614** and **616** which may be similar to LEDs **14** and **16** of FIG. 1A. The stepper motor **650** is mounted to the LED mounting substrate **610** by screws **632** and **634**. The set of conductors **638**, **640**, **642**, and **644** apply electrical power to the stepper motor **650**. A stack of magnetic plates **636** is also shown that is typically part of a stepper motor. The shaft **630** is rotatably mounted to the stepper motor **650** so that the motor **650** can cause the shaft **630** to turn and thereby cause the aperture plate **640** to turn. The shaft **630** is mounted to the aperture plate **640** by screws **626** and **628** and hub **622**. The set screw **624** fixes the shaft **630** to the hub **622** and thus to the aperture plate **640**. The aperture plate **640** has openings **646** and **656** through which light from LED **614** and **616** may pass through. The light from LED **616** for example would be emitted in the direction shown by arrows **16a** and **16b**.

The motor driven system may or may not be a stepper motor, such as motor **650**, as it could be some other kind of motor. A motor driven system could drive the aperture plate **640** in relation to the LED mounting substrate **610** from the outside by means of a ring gear surrounding the aperture plate **640**. The aperture plate **640** could remain fixed while the LED mounting substrate **610** is driven with a motor in various ways.

FIG. 8 illustrates an embodiment which is a combination of some of the previous embodiments of the present invention wherein an aperture plate **750** (similar to aperture **40** of FIG. 1C) is shown operating on a coaxial system with an aperture plate **740** (similar to of the aperture plate **40** with lenses shown in FIG. 5A), and in this embodiment, both aperture plates **740** and **750** are capable of altering the light beam produced by the LEDs **714** and **716** on the mounting substrate **710**. The aperture plate **740** has attached to it lenses **720** and **722** which cover apertures **744** and **746** respectively. The aperture plate **750** has openings **754** and **756**.

The aperture plate **740** is mounted to hub **731** by screws **731a** and **731b**. The hub **731** is mounted to a shaft **730** by set screw **732**. The coaxial shaft **735** is rotatably mounted to aperture plate **750** by screws **733** and **734**. The shaft **730** is rotatably mounted to a stepper motor **782**. The stepper motor **782** is mounted to a housing **766** by screws **769** and **770**. Another stepper motor **780** is mounted to housing **766** by screws **767** and **768**. Stepper motor **780** controls the rotation of coaxial shaft **735**. Shafts **730** and **735** can be rotated independently of one another and are not connected together. Stepper motor **780** has conductors **790–793** which apply power. Different stepper motor types have different numbers of conductor wires and four conductors **790–793** are only shown as an example. A shaft **764** is rotatably connected to stepper motor **782**. A gear **762** is connected to the shaft **764**. A gear **762** interacts with the gear **763** which is connected to a coaxial shaft **735**. The coaxial shaft **735** has a mounting flange that is used to couple the aperture plate **750** by means of screws **733** and **734**. The housing **766** is mounted to the substrate **710** by the screws **760** and **761**.

Each aperture plate **740** and **750** is centrally located over the LED mounting substrate **710**. The top aperture plate **740** (in conjunction with lenses **720** and **722**) when rotated to the correct position is capable of altering the projected light beams (which in FIG. 8 are currently shown pointing in direction **713a** and **713b** from LED **714** and **717a** and **717b** from LED **716**) produced by the LED's by using the beam-modifying optics. Although only two LEDs **714** and **716** are shown mounted to the mounting plate **710**, a much greater number of LEDs may be mounted to the substrate **710**. Also the aperture plate **750** is shown with through hole apertures or openings **754** and **756** but other strategically placed apertures may be provided which include color filters. Generally, aperture plates **740** and **750** show only two apertures each (**744** and **746** for plate **740** and **754** and **756** for plate **750**), however, each may have a greater number of apertures not shown.

FIG. 8 shows the use of two aperture plates **740** and **750** to alter the beam of a plurality of LEDs, however, three or more aperture plates used to sequentially modify color may be used. Coaxial drive systems like that shown in FIG. 8 may be expanded upon to drive three or more aperture plates. When a plurality of aperture plates are incorporated into the beam altering mechanism, several parameters of the light beam projected by the LEDs may be varied. For example in FIG. 8 aperture plate **750** may be an aperture plate for modifying color such as described in FIG. 2A, FIG. 3B, or FIG. 4B. In FIG. 8 aperture plate **740** may be an aperture plate with beam modifying optics such as that described in FIG. 5A, FIG. 5B or FIG. 5C.

Beam modifying optics are used to alter the focus of the light beam projected by the LEDs (such as LEDs **714** and **716** in FIG. 8). For example in FIG. 1B arrows **19a** and **19b** show the direction of the projected light from LED **18**. In FIG. 5A arrows **319a** and **319b** show the direction of light projected from LED **18** after passing through the beam

modifying optics incorporated into aperture plate **40**. In the beam altering mechanism shown in FIG. **8** both color and focus of the light beam projected by the plurality of LEDs (such as LEDs **714** and **716**) may be modified.

It may be an advantage to produce a beam altering mechanism for the plurality of LEDs that incorporates two or more aperture plates. For example a first color modifying aperture plate could be used with a second color modifying aperture plate to further modify colors that have been selected by the first aperture plate. By using several color modifying aperture plates with the beam altering mechanism a large assortment of colors can be created.

Just as it may be an advantage to use two or more color modifying aperture plates with the beam altering mechanism it can be an advantage to use two or more aperture plates containing beam modifying optics. When incorporating two or more aperture plates containing beam modifying optics the first aperture plate may be selected to modify the projected light by the plurality of LEDs is such a way as to widen the angle of the light projected by the LEDs. Next a second aperture plate containing beam modifying optics may create a second modification to the light projected by the LEDs as to further widen the focus of the LEDs. As shown in FIG. **5C** it is possible that the second aperture plate containing the beam modifying optics may contain lenticular lenses **402**, **404**, **406**, **408**. In this way the light projected by the plurality of LEDs might first pass through the first aperture plate containing beam modifying optics and have the focus widened and next the light projected by the plurality of LEDs would next pass through the beam modifying optics of the second aperture plate that may be selected to further modify the beam with the lenticular beam modifying optics. Beam altering mechanisms for a plurality of light sources may use many combinations of color modifying aperture plates and beam modifying optical aperture plates. It is possible to incorporate both color modifying and beam modifying optics in a single aperture plate. For example in FIG. **2A** the color modifying filters **44a**, **54a**, **64a**, and **74a** located over the strategically placed apertures **44**, **54**, **65**, and **74** could be substituted for the beam modifying optics like that shown in FIG. **5A** **304**, **306**, and **308**.

In operation, the motor **780** controls rotation of the aperture plate **750** through the gear **762**, gear **763**, and the coaxial shaft **735**. The motor **782** controls rotation of the aperture plate **740** through the shaft **730** (connected at the end identified as **765**). The shaft **765** passes through the coaxial shaft **735** as the coaxial shaft acts like a bushing and allows shaft **765** to pass through freely. The gear **763** has a hole in it and is pressed onto the outside of coaxial shaft **735**. The aperture plates **750** and **740** are thus independently controllable and rotatable. The gear **763** is fitted to the outside of coaxial shaft **735** and has a hole in it for the shaft **735**. The gear **763** may be pressed onto the outside of the coaxial shaft **735** or it may be fixed in other ways. The LED mounting plate **710** has the through hole **715** shown in FIG. **8**. The aperture plates **750** and **740** are thus independently controllable and rotatable.

The motors would have their own through holes in mounting plate **766** and these are not shown for simplification.

FIG. **9** illustrates a multi-parameter light **800** incorporating the device **700** of FIG. **8**. The multi-parameter light includes electronic housing **802**, bearing arrangement **803**, yoke **804**, and lamp housing **806**. Disregarding device **700**, the housing **802**, bearing arrangement **803**, yoke **804** and lamp housing **806** are known in the art.

There would also be bearing arrangements between the yoke and the lamp housing that is not shown for simplification purposes.

FIG. **10A** illustrates a masking plate **900**. The masking plate **900** includes apertures **902**, **904**, **906**, and **908**, as well as hole **910**.

The masking plate **900** is designed to work with an LED mounting substrate, such as substrate **30** of FIG. **1A**. The preferred mask is stationary and is used to block stray light that may be emitted by the LEDs, such as **12**, **14**, **16**, and **18**, mounted to the LED mounting substrate, such as **30**, that is not desired to pass through the aperture mask apertures **902**, **904**, **906**, and **908**. The mask **900** may be fixed to the LED mounting substrate **30** in a non-movable manner.

FIG. **10B** illustrates the masking plate **900** of FIG. **10A** incorporated into a device similar to that show in FIG. **2B**. FIG. **10A** shows masking plate **900** having apertures **904**, **906** and **908** and also shows aperture plate **40**, described in FIG. **1C**. Also shown in FIG. **10B** is substrate **30** previously described in FIG. **1A**. FIG. **10** also shows lines with arrows **914a-b**, **916a-b**, and **918a-b** which show the expected direction of light from LEDs **14**, **16**, and **18** respectively.

The masking plate **900** has one set of apertures strategically aligned with the LED mounting substrate **30**. The masking plate **900** allows only the desired projected light beam from the LEDs to pass through the aperture mask **900**. This would reduce the amount of stray light that might inadvertently pass through the non-selected apertures in the aperture plate **900** used above. The masking plate **900** might be manufactured of any opaque material that will sufficiently block the stray light while having strategically place optimally sized apertures (for apertures **902**, **904**, **906**, and **908**) that allow the desired projected light from the LEDs (**12**, **14**, **16**, and **18**) to pass through the masking plate **900**.

FIGS. **10C** and **10D** illustrate how the masking plate **900** works. FIG. **10C** shows an LED **14** emitting projected light (without any aperture plates or filters) The solid lines with arrows **944a** and **944b** indicate the light projected from the light source **14** as was intended by design. The dotted lines with arrows **954a** and **954b** show the light emission that was not intended by design. Many light sources project light in a designed beam angle. It is known in the art that light sources that have been designed to project light at a certain angle often project some light at undesired angles other than the desired angle.

FIG. **10D** shows a section of a masking plate **1000** used in conjunction with the LED **14** of FIG. **10C** and an aperture plate **1040**. The aperture **1015** shown in the masking plate **1000** has been designed to allow only the desired angle of light from the LED **14** (i.e. when emitted in directions **944a** and **944b**) to pass while rejecting unwanted light that is emitted at angles over the desired angle (i.e. when emitted in directions **954a** and **954b**). The masking plate **1000** can be used with a plurality of light sources alone or it can be used in conjunction with aperture plates **1040** as shown in FIG. **10D**. The masking plate **1000** could be mounted after the aperture plate **1040** (i.e. the reverse of FIG. **10D**) but is it preferred to reject the unwanted light before passing the remaining light through an aperture plate, such as **1040**. Various designs of apertures (i.e. in the location of apertures **1015** and **1045**) in the masking plate **1040** or the aperture plate **1040** can be used such as round, oblong, square for rejecting unwanted light.

It is important to remember that the apertures in the aperture plate, such as plate **40**, are defined as locations in the aperture plate **40** where the projected light beam from a

specific LED (such as for example LED 14) passes through “generally” unobstructed, through an optical color filter, through light refractive optics and or through a diffusion material. Each LED, such as for example LED 14, may have from two to four or more apertures strategically located in the aperture plate, such as 40. The LED’s (such as 12, 14, 16, and 18) may emit a more narrow wavelength or combined wavelength than broad-spectrum visible white. It is still advantageous to alter the color or focus of the projected light.

The aperture plate of FIG. 3A shows slotted apertures or continuous apertures 102, 104, 106, and 108. FIG. 3B and FIG. 4B both have these same slotted or continuous apertures 102, 104, 106, and 108. As an example, the slotted or continuous aperture 102 of FIG. 3B is effectively equivalent to the apertures 76, 74, of 72 of FIG. 1C. The advantage of the slotted or continuous aperture 102 (and the other apertures 104, 106, and 108) of FIG. 3B is that the sections between the apertures 76 to 74 and 74 to 72 of FIG. 1C have been removed to allow a more uninterrupted selection of color.

Various modifications to the orientation of the aperture plate, such as 40 to the LED mounting substrate, such as 30, may be used. For instance it is possible to slide an aperture plate across the LED mounting substrate and thus align new apertures strategically with the LEDs on the LED mounting substrate. The aperture plate may be fixed while the LED mounting substrate is moved to position the LEDs on the mounting substrate strategically with the apertures on the aperture plate.

It may be of an advantage to include an aperture mask between the LED mounting substrate and the aperture plate.

The LED’s illustrated are of one type of physical construction. The invention should not be limited to the physical construction of the LED’s illustrated. There are other types of LED construction that are known in the art. For example there are surface mount LEDs that may not include a collimating lens in the package and LEDs with external reflectors that direct the projected light as known in the art.

The substrate that the LEDs are mounted on may be a circuit board that may also conduct the power to the LEDs. The substrate that the LED’s are mounted on may be a heat sink that helps to remove heat from the LED while a separate circuit board or conductors provide power to the LEDs. Various types of materials as known in the art could be used for the LED mounting substrate. Each LED such as LEDs 12, 14, 16, and 18 in FIG. 1A could be replaced by a group of LEDs or light sources that effectively acts as one light source. For example LED 12 may be replaced by a plurality of LEDs. A light source, in the present application, may include a plurality or group of light sources effectively functioning or grouped together as one light source.

FIG. 11A illustrates a top planar view of a mounting substrate 1130 with LED groups 1112, 1114, 1116, and 1118 mounted on the substrate 1130 in a symmetrical fashion. Each LED group in FIG. 11A includes three LEDs. LED groups 1112, 1114, 1116, and 1118 include LEDs 1112a-c, 1114a-c, 1116a-c, and 1118a-c, respectively. Each group of LEDs effectively functions as a single light source. The substrate 1130 includes a central mounting hole 1120 at the center of the substrate 1130. The substrate 1130 can be circular in shape as shown. The substrate 1130 may be similar to the substrate 30 of FIG. 1A and the LEDs of LEDs 1112a-c, 1114a-c, 1116a-c, and 1118a-c may be similar to LEDs 12, 14, 16, and 18 in FIG. 1A.

FIG. 11B shows an aperture device 1140 mounted centrally over the substrate 1130 of FIG. 11A. FIG. 11B also

shows color filters 1142a, 1144a, 1152a, 1154a, 1162a, 1164a, 1172a, and 1174a which may be attached to the aperture device or plate 1140 and mounted over strategically placed apertures 1142, 1144, 1152, 1154, 1162, 1164, 1172, and 1174, respectively. FIG. 11B shows apertures 1146, 1156, 1166, and 1176 directly over LED groups 1112, 1114, 1116 and 1118, respectively. The aperture device 1140 may have a center pin or hole 1180. The aperture device 1140 and mounting substrate 1130 of FIGS. 1A-B may be similar to that shown in FIG. 2A except for the groups of LEDs 1112, 1114, 1116, and 1118 as opposed to the individual LEDs 12, 14, 16, and 18. The aperture device 1140 may also be interchanged for other aperture devices such as aperture device 100 of FIG. 3A, aperture device 400 of FIGS. 5B and 5C, and aperture device 504 of FIG. 6. The aperture plate or aperture device 1140 along with the color filters and/or beam modifying optics of FIG. 11B may be replaced with the aperture plates or aperture devices, color filters and beam modifying optics shown in FIGS. 3B, 4B, FIG. 5A, 5B, 5C, and FIG. 6.

Although the invention has been described by reference to particular illustrative embodiments thereof, many changes and modifications of the invention may become apparent to those skilled in the art without departing from the spirit and scope of the invention. It is therefore intended to include within this patent all such changes and modifications as may reasonably and properly be included within the scope of the present invention’s contribution to the art.

I claim:

1. An apparatus comprising

a mounting substrate having a first light source and a second light source mounted thereon;

a first aperture device having a first aperture and a second aperture;

wherein the first aperture device can be aligned over the mounting substrate so that light from the first light source is emitted through the first aperture of the first aperture device and light from the second light source is emitted through the second aperture of the first aperture device; and

wherein the first aperture device is adjustably mounted to the mounting substrate so that the first aperture device can move with respect to the mounting substrate; and the first aperture device is aligned with the mounting substrate to allow the emission of light from the first light source through the first aperture of the first aperture device and light from the second light source through the second aperture of the first aperture device by moving the first aperture device with respect to the mounting substrate.

2. The apparatus of claim 1 further comprising

a second aperture device having a first aperture and a second aperture;

wherein the second aperture device can be aligned over the first aperture device so that light from the first light source is emitted through the first aperture of the first aperture device and then through the first aperture of the second aperture device;

and light from the second light source is emitted through the second aperture of the first aperture device and then through the second aperture of the second aperture device.

3. The apparatus of claim 1 wherein

the first light source is a light emitting diode; and

the second light source is a light emitting diode.

17

4. The apparatus of claim 1 wherein the first aperture device can be aligned over the mounting substrate so that the first aperture of the first aperture device is coaxially aligned over the first light source; and the second aperture of the first aperture device is coaxially aligned over the second light source.
5. The apparatus of claim 1 wherein the first aperture device is comprised of a third aperture and a fourth aperture; and wherein the first aperture device can be aligned over the mounting substrate so that light from the first light source is emitted through the third aperture of the first aperture device and light from the second light source is emitted through the fourth aperture of the first aperture device.
6. The apparatus of claim 1 wherein the first aperture device is comprised of an aperture plate which includes the first and second apertures.
7. The apparatus of claim 6 wherein the aperture plate of the first aperture device is round.
8. The apparatus of claim 1 wherein the first aperture device is mounted centrally over the mounting substrate.
9. The aperture of claim 8 wherein the first aperture device is rotatably mounted to the mounting substrate; and the first aperture device is aligned with the mounting substrate to allow the emission of light from the first light source through the first aperture of the first aperture device and light from the second light source through the second aperture of the first aperture device by rotating the first aperture device with respect to the mounting substrate.
10. The apparatus of claim 1 wherein each of the light sources each emits broad-spectrum visible white light.
11. The apparatus of claim 3 wherein each of the light emitting diodes emits broad-spectrum visible white light.
12. The apparatus of claim 1 wherein the first aperture device is comprised of a transparent material.
13. The apparatus of claim 6 wherein the aperture plate of the first aperture device is comprised of a transparent material.
14. The apparatus of claim 3 comprising a multi-parameter lighting device; and wherein the substrate and the first aperture device are part of the multi-parameter lighting device.
15. The apparatus of claim 3 comprising a multi-parameter lighting device; and wherein the substrate, the first aperture device, and the second aperture device are part of the multi-parameter lighting device.
16. The apparatus of claim 14 and wherein the multi-parameter lighting device includes a communications address.
17. An apparatus comprising a mounting substrate having a first light source and a second light source mounted thereon; a first aperture device having a first aperture and a second aperture;

18

- wherein the first aperture device can be aligned over the mounting substrate so that light from the first light source is emitted through the first aperture of the first aperture device and light from the second light source is emitted through the second aperture of the first aperture device further comprising a flashlight; and wherein the mounting substrate and the first aperture device are part of the flashlight.
18. An apparatus comprising a mounting substrate having a first light source and a second light source mounted thereon; a first aperture device having a first aperture and a second aperture; wherein the first aperture device can be aligned over the mounting substrate so that light from the first light source is emitted through the first aperture of the first aperture device and light from the second light source is emitted through the second aperture of the first aperture device; and further comprising a masking device which prevents light from the first light source and the second light source from passing through the masking device if the light is emitted in a first direction.
19. The apparatus of claim 1 wherein the first aperture device includes a first color filter covering the first aperture and a second color filter covering the second aperture; wherein the first aperture device can be aligned over the mounting substrate so that light from the first light source is emitted through the first color filter and the first aperture of the first aperture device and light from the second light source is emitted through the second color filter and the second aperture of the first aperture device.
20. The apparatus of claim 19 wherein the first color filter and the second color filter filter substantially the same frequency.
21. An apparatus comprising a mounting substrate having a first light source and a second light source mounted thereon; a first aperture device having a first aperture and a second aperture; wherein the first aperture device can be aligned over the mounting substrate so that light from the first light source is emitted through the first aperture of the first aperture device and light from the second light source is emitted through the second aperture of the first aperture device; wherein the first aperture device is mounted over the mounting substrate; and further comprising a first color filter covering the first aperture of the first aperture device; a second color filter covering the second aperture of the first aperture device; a third color filter covering the third aperture of the first aperture device; and a fourth color filter covering the fourth aperture of the first aperture device; wherein the first aperture device can be aligned over the mounting substrate in a first position so that light from the first light source is emitted through the first color filter and the first aperture of the first aperture device and light from the second light source is emitted through the second color filter and the second aperture of the first aperture device;

19

and wherein the first aperture device can be aligned over the mounting substrate in a second position so that light from the first light source is emitted through the third color filter and the third aperture of the first aperture device and light from the second light source is emitted through the fourth color filter and the fourth aperture of the first aperture device.

22. The apparatus of claim 21 wherein the first and second color filters filter substantially the same frequency; and the third and fourth color filters filter substantially the same frequency.

23. The apparatus of claim 1 further comprising a first light refractive optic covering the first aperture of a second light refractive optic covering the second aperture of the first aperture device; wherein the first aperture device can be aligned over the mounting substrate so that light from the first light source is emitted through the first light refractive optic and the first aperture of the first aperture device and light from the second light source is emitted through the second light refractive optic and the second aperture of the first aperture device.

24. The apparatus of claim 23 wherein the first light refractive optic and the second light refractive optic filter have substantially the same optical power.

25. The apparatus of claim 7 wherein a first light refractive optic covering the first aperture of the first aperture device; a second light refractive optic covering the second aperture of the first aperture device; a third light refractive optic covering the third aperture of the first aperture device; and a fourth light refractive optic covering the fourth aperture of the first aperture device; wherein the first aperture device can be aligned over the mounting substrate in a first position so that light from the first light source is emitted through the first light refractive optic and the first aperture of the first aperture device and light from the second light source is emitted through the second light refractive optic and the second aperture of the first aperture device; and wherein the first aperture device can be aligned over the mounting substrate in a second position so that light from the first light source is emitted through the third light refractive optic and the third aperture of the first aperture device and light from the second light source is emitted through the fourth light refractive optic and the fourth aperture of the first aperture device.

20

26. The apparatus of claim 25 wherein the first and second light refractive optics filter have substantially the same optical power; and the third and fourth light refractive optics filter have substantially the same optical power.

27. The apparatus of claim 1 wherein the first aperture is a slotted aperture; and the second aperture is a slotted aperture.

28. The apparatus of claim 6 wherein the first aperture and the third aperture are contained with a first slotted aperture; and the second aperture and the fourth aperture are contained with a second slotted aperture.

29. The apparatus of claim 1 wherein the first light source is comprised of a first group of light sources; and the second light source is comprised of a second group of light sources.

30. The apparatus of claim 29 wherein the first group of light sources is comprised of a first group of light emitting diodes; the second group of light sources is comprised of a second group of light emitting diodes.

31. The apparatus of claim 19 herein the first aperture device includes a third aperture and a fourth aperture; wherein the third aperture permits light to pass through the third aperture and the first aperture device unfiltered; wherein the fourth aperture permits light to pass through the fourth aperture and the first aperture device unfiltered; wherein the first and third apertures are adjacent one another and the second and fourth apertures are adjacent one another.

32. The apparatus of claim 1 wherein the first aperture device includes a first variable density filter covering the first aperture and a second variable density filter covering the second aperture; wherein the first aperture device can be aligned over the mounting substrate so that light from the first light source is emitted through the first variable density filter and the first aperture of the first aperture device and light from the second light source is emitted through the second variable density filter and the second aperture of the first aperture device.

* * * * *

UNITED STATES PATENT AND TRADEMARK OFFICE
CERTIFICATE OF CORRECTION

PATENT NO. : 6,474,837 B1
DATED : November 6, 2002
INVENTOR(S) : Belliveau

Page 1 of 1

It is certified that error appears in the above-identified patent and that said Letters Patent is hereby corrected as shown below:

Title page, Item [54] and Column 1, lines 1-3,

The Title should be amended as follows:

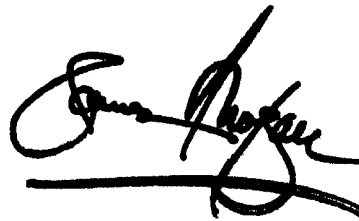
**“LIGHTING DEVICE WITH BEAM ALTERING MECHANISM
INCORPORATING A PLURALITY OF LIGHT SOUCES”**

Title should read,

**-- LIGHTING DEVICE WITH BEAM ALTERING MECHANISM
INCORPORATING A PLURALITY OF LIGHT SOURCES --**

Signed and Sealed this

Eighteenth Day of March, 2003

A handwritten signature in black ink, appearing to read "James E. Rogan", with a horizontal line drawn underneath it.

JAMES E. ROGAN
Director of the United States Patent and Trademark Office