



US006327103B1

(12) **United States Patent**  
**Belliveau et al.**

(10) **Patent No.:** **US 6,327,103 B1**  
(45) **Date of Patent:** **Dec. 4, 2001**

(54) **SLID MOUNTED LENS HOLDER WITH  
SLOT EXTENSIONS ONE OR MULTIPLE  
LENSES**

(52) **U.S. Cl.** ..... **359/819**  
(58) **Field of Search** ..... 359/808, 811,  
359/818, 819, 822; 353/100; 362/455

(75) **Inventors:** **Richard S. Belliveau**, Austin; **Thomas S. Cavness**, Georgetown; **Mikhail Dubinovskiy**, Austin; **Michael K. Rafalko**, Leander; **Mark A. Stultz**; **Terry L. Wilmoth**, both of Austin, all of TX (US)

(56) **References Cited**

**U.S. PATENT DOCUMENTS**

4,187,534 \* 2/1980 Tichenor et al. .... 362/268  
4,585,308 \* 4/1986 Negoro ..... 350/252  
5,737,131 \* 4/1998 Palmer ..... 359/819

(73) **Assignee:** **High End Systems, Inc.**, Austin, TX (US)

\* cited by examiner

*Primary Examiner*—Ricky Mack

(\* ) **Notice:** Subject to any disclaimer, the term of this patent is extended or adjusted under 35 U.S.C. 154(b) by 0 days.

(57) **ABSTRACT**

A lens holder includes which a bottom cover, a top cover, sliding means and clipping means for holding lens assemblies in an optical lighting system. The bottom and top covers have a plurality of slot extensions lining the interior of the two covers. The top cover clips to the bottom cover by a set of clips on each side of the top cover to a set of clip slots on each side of the bottom cover. Lens assemblies can consist of lenses assembled in a holder along with individual lenses which can slide into between slot extensions.

(21) **Appl. No.:** **09/698,606**

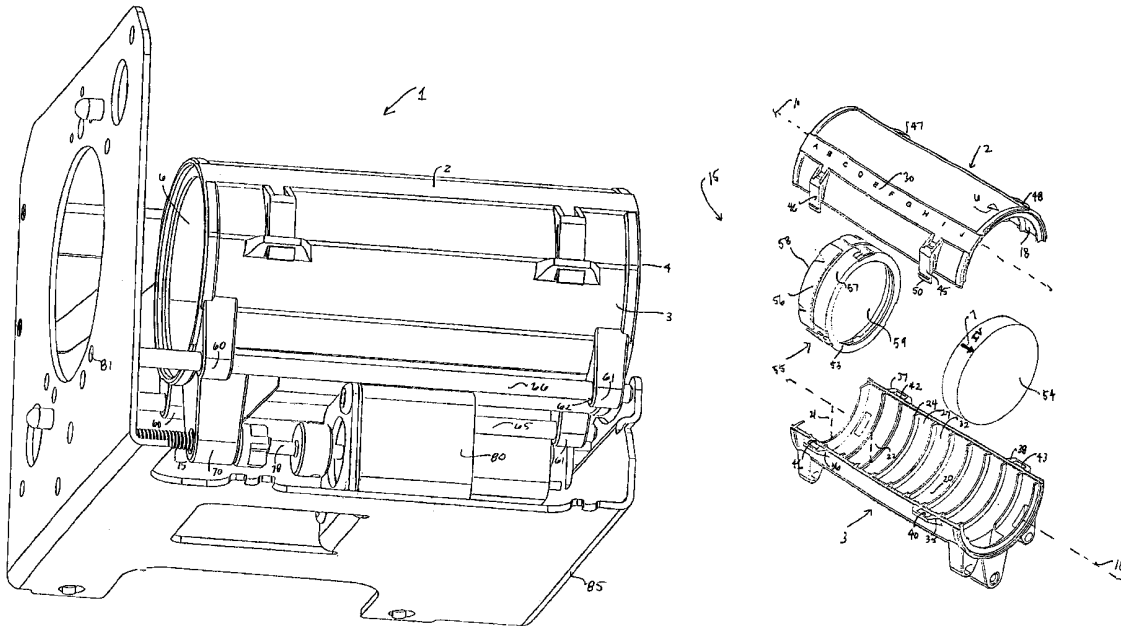
(22) **Filed:** **Oct. 27, 2000**

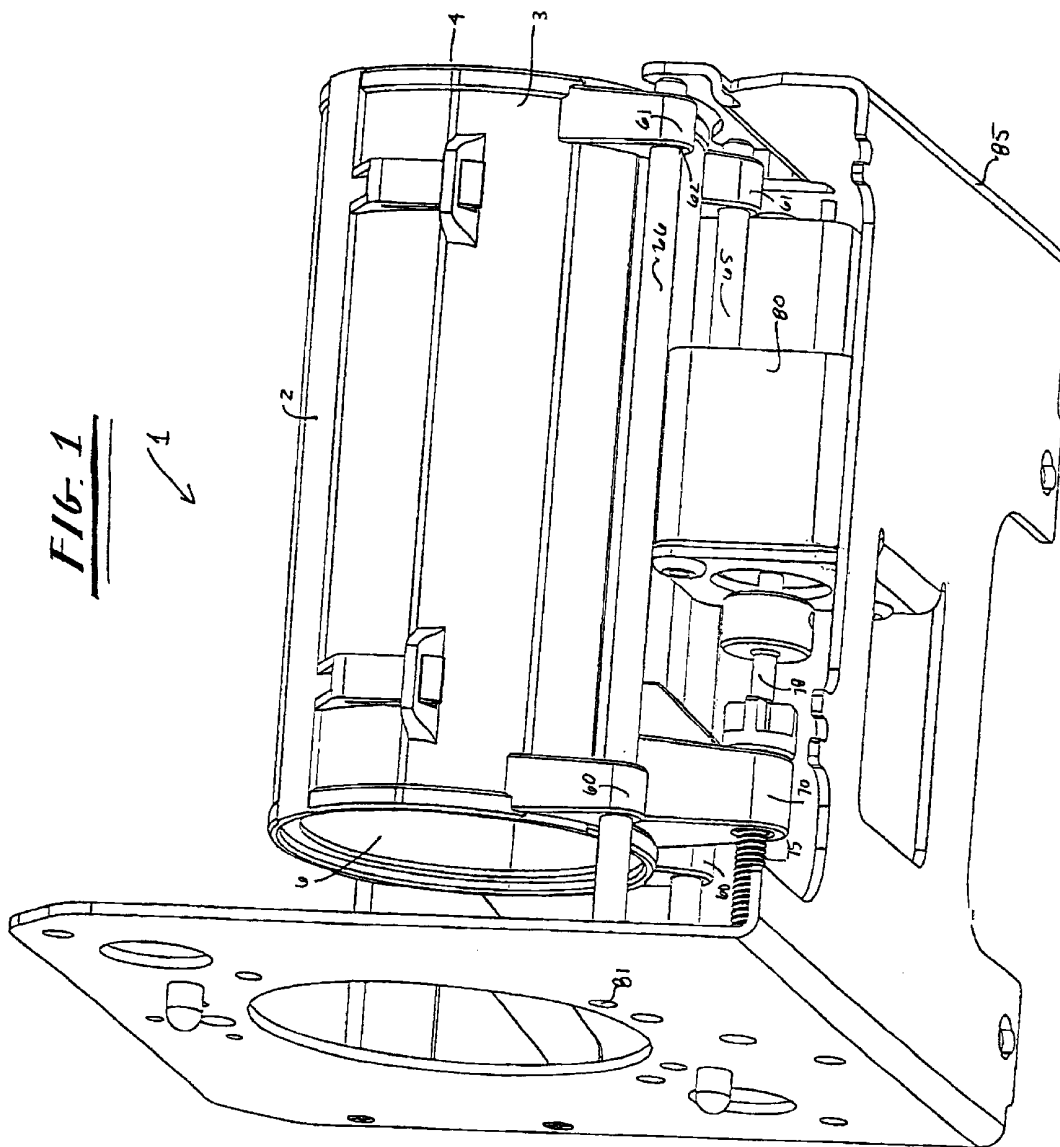
**Related U.S. Application Data**

(63) Continuation of application No. 09/035,572, filed on Feb. 25, 1998, now Pat. No. 6,172,822.

(51) **Int. Cl.**<sup>7</sup> ..... **G02B 7/02**

**15 Claims, 3 Drawing Sheets**





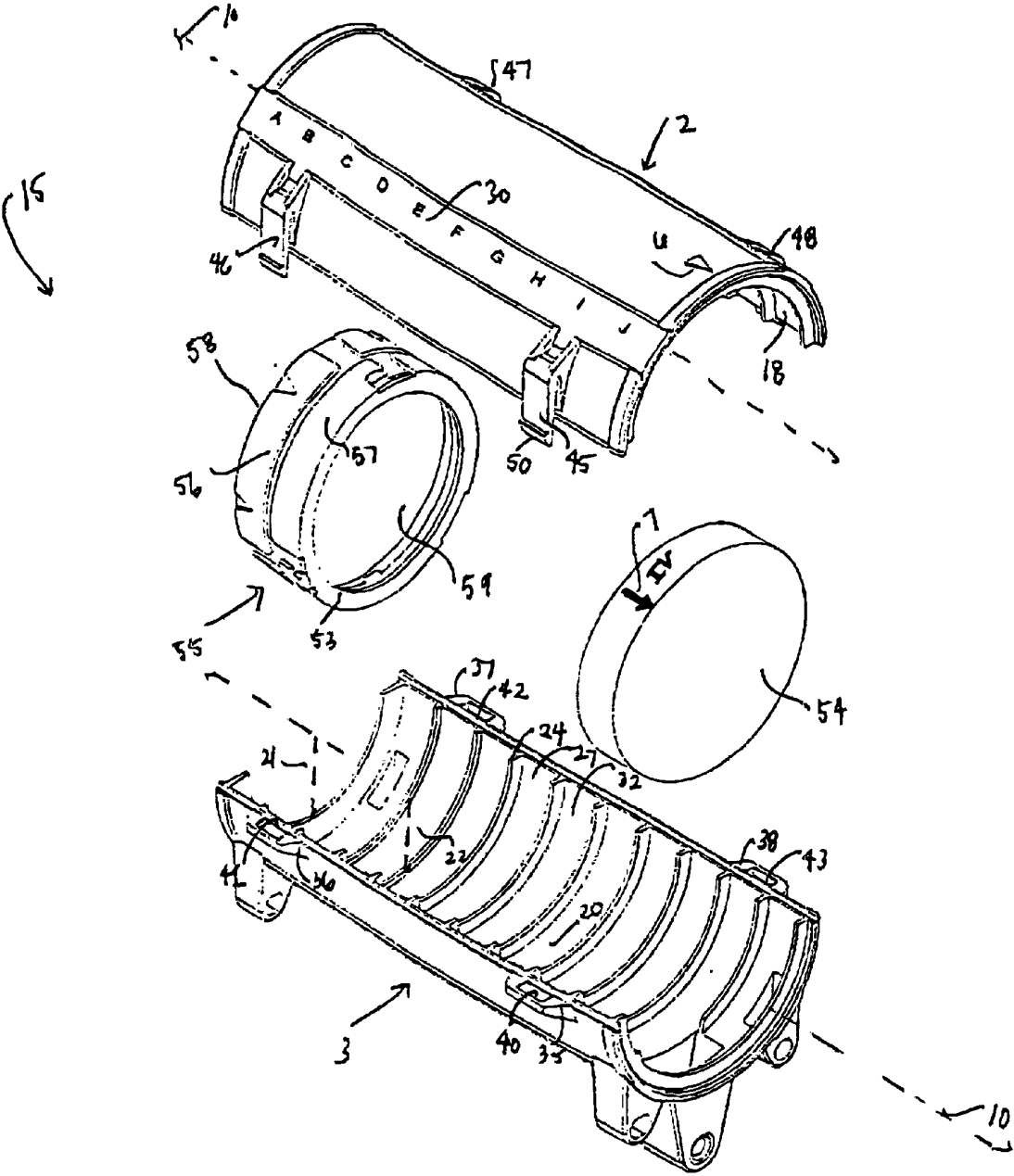


FIG. 2



1

## SLID MOUNTED LENS HOLDER WITH SLOT EXTENSIONS ONE OR MULTIPLE LENSES

This application is a continuation of Ser. No. 09/035,572  
filed Feb. 25, 1998 now U.S. Pat. No. 6,172,822.

### FIELD OF THE INVENTION

The present invention relates to assemblies of optical  
components, particularly lenses, which are to be precisely  
contained in an apparatus with respect to each other in order  
to modify a beam of light. In addition, it relates to the  
modularity and interchangeability of the apparatus which  
will hold such assemblies. The invention is particularly  
useful in holding lens assemblies in optical projection sys-  
tems in the entertainment lighting industry, and is therefore  
described below with greater respect to this application.

### BACKGROUND OF THE INVENTION

Linearly-arranged lens assemblies have been used in  
many applications to modify a beam of light. The curvature  
of the lens, the size of the lens, the number of lenses,  
distance separating lenses, and the distance between the  
beam of light and the lenses are all variables in modification.  
Lens assemblies are typically secured permanently in a lens  
holder composed of metal or plastic for placement in a  
system. Lenses are typically mechanically secured for by  
example a screw, sealant or elastic at a position in the lens  
holder.

The conventional way of accomplishing beam modifica-  
tion in an optical system is to affix a lens holder at a specific  
location within a lighting fixture. A single lens holder  
containing a lens or an assembly of lenses attaches within  
the fixture with screws or the like along the path of the  
optical axis.

In the entertainment lighting industry, the specification of  
a particular lighting fixture, in many cases, may include the  
beam angle. The beam angle describes the rate at which the  
beam emanates from the fixture as it travels from the fixture  
toward a target. In many prior art fixtures, the beam angle  
can be varied automatically by mechanical systems that  
move the position of one or more of the lenses in the optical  
path relative to the other lenses in the optical path. In many  
cases, these mechanisms can be operated automatically  
and/or remotely by control systems that are well known.  
However, the costs of these mechanical systems can be  
prohibitive for many applications. As a result in many prior  
art fixtures, changing the beam angle available requires tools  
to remove the current lens holder and install a new holder.  
In addition, the fixture modularity is often limited by the  
single position available for installing the lens holder within  
the fixture.

The ability to change lens systems easily and in a timely  
manner within a fixture would provide beam modification  
interchangeability to the fixture by giving the user a plurality  
of interchangeable lens assembly configurations for use in a  
single fixture. Multiple positions available for placement of  
lenses and lens assemblies in a fixture would provide beam  
modification modularity by giving the user a fixed plurality  
of positions for lens placement.

### BRIEF DESCRIPTION OF THE DRAWINGS

FIG. 1 is a top-side perspective view showing the modular  
and interchangeable lens holder accompanied by the sliding  
system.

2

FIG. 2 is an exploded view showing the top cover and  
bottom when the two parts are unclipped and lenses which  
can be placed in the lens holder.

FIG. 3 is an exploded view of a lens subassembly and the  
lenses within.

FIG. 4 is an exploded view of a lens subassembly and the  
lenses within.

### DETAILED DESCRIPTION

One embodiment of the present invention is shown in  
FIG. 1 which is an illustration of a lens holder 1 which can  
be installed in a lighting fixture (not shown) so that its center  
axis 10 is intended to be colinear with the optical axis of the  
light fixture. The lens holder 1 shown in FIG. 1 has two ports  
4 and 6. One port is a light beam entry port 4 and the other  
is a light beam exit port 6.

In FIG. 1, a bottom cover 3 has two sets of rod hole  
extensions 60 and 61 positioned about the bottom of the  
bottom cover 3 at each end of the cylinder. Each rod hole  
extension extends down from the exterior of the bottom  
cover 3 and has a rod hole 62 for receiving sliding rods 65  
and 66. Each sliding rod 65 and 66 slides through two rod  
holes 62 at opposite ends of bottom cover 3. In the embodi-  
ment shown, the rod hole extensions are at the ends of the  
bottom cover 3 and the two (2) sliding rods 65 and 66 extend  
past the length of the bottom cover 3. In other embodiments  
of the invention, it might be preferable to have the rod  
extension positions, number of sliding rods and length of  
sliding rods vary to fit within a desired fixture configuration.

In the embodiment shown, each end of each sliding rod 65  
and 66 aligns with one of two (2) holes at each end of the  
metal driver holder 85. The sliding rods 65 and 66, posi-  
tioned in the tubular rod holes 62, are affixed to the metal  
driver holder 85 with rod screws 81 driven through the holes  
in the metal driver holder and through the ends of each  
sliding rod. The metal driver holder 85 is placed within the  
system so that the center axis 10 of the lens holder 1 is  
intended to be colinear with the optical axis of the light  
fixture (not shown) and the sliding rods 65 and 66 are  
parallel to the optical axis of the light fixture. By using a  
metal driver holder, the lens holder 1 and sliding system are  
assembled on a common base before placement in the  
fixture. However, in other embodiments of the invention the  
lens holder 1 and sliding system might be directly affixed in  
a fixture; or the lens holder 1 might be affixed in a fixture  
without a sliding system.

In FIG. 1, a motor 80, mounted on the base of the metal  
driver holder 85, drives a motor drive rod 78 which supports  
a driver screw 75. The driver screw 75 rotates through a  
driver screw holder 72. The driver screw holder 72 is  
positioned within a tubular drive hole 71 bore in a driver  
extension 70. The driver extension 70 extends down from  
the base of the bottom cover 3 at the rightmost end of the  
cylinder as viewed in FIG. 2. In the embodiment shown, the  
driver extension 70 extends farther from the bottom cover 3  
than the rod hole extensions 60 and 61 so that the motor  
positioning does not interfere with the bottom cover 3 or the  
sliding rods 65 and 66. It should be appreciated that in other  
configurations of the invention utilizing a sliding system, the  
driver screw extension might be positioned otherwise to  
accommodate alternate positioning of the motor.

Motor 80 can be controlled through any known means, for  
example: software functions or a programmed micro-  
controller. For clockwise or counterclockwise rotation of the  
motor 80, the motor drive rod 78 is rotated which rotates the  
affixed driver screw 75. As the driver screw 75 rotates

3

clockwise or counterclockwise in the driver screw holder **72**, the position of the driver screw holder **72** along the driver screw **75** changes. The bottom cover is driven linearly by the angular rotation of the driver screw **75** within the driver screw holder **72**. The bottom cover **3** slides along the sliding rods **65** and **66** as the driver screw **75** is rotated by the motor. When the motor is active, the bottom cover slides along the rods as allowed. When the motor is stopped, the bottom holder is held in position. In the embodiment shown, the movement of the lens holder **1** is linear along the center axis **10**. However, in other embodiments, it might be advantageous to assemble the sliding system for non-linear and/or horizontal and vertical movement and use a plurality of motors or other drive systems.

FIG. **2** is an exploded view of the lens holder **1** of FIG. **1**. In this embodiment of the invention the lens holder **1** has a main body **15** which is composed of two (2) parts: a top cover **2** and the bottom cover **3**. In the design shown, all of the components which are used to mount the lens holder **1** are attached to or part of the bottom cover **3**. Since the bottom cover **3** is the part of the lens holder **1**, controlled by the sliding system, the top cover **2** can be affixed to and unaffixed from the bottom cover **3** without affecting the sliding system. This design by which the bottom cover **3** is controlled by the sliding system while still maintaining interchangeability and modularity meets the objectives of an improved invention.

In the embodiment shown, the interior surface **20** of the bottom cover **3** is defined by a portion of a cylinder, whose center axis is designed to be colinear with the light beam of the center axis **10** of the lighting fixture in which the lens holder **1** is intended to be used. It should be appreciated that other shapes of lens holders are possible. In some cases it may even be desirable to have covers that are some shape other than tubular.

A plurality of slots **32** are defined by a plurality of slot extensions: for example slot extension **24**. Each slot extension **24** extends from the interior surface **20** of the bottom cover **3**. The width of the slots is defined by the distance between two slot extensions **24**. In the embodiment shown, the slots **32** are shown to have equal widths. In other embodiments of the invention, it might be preferable to have varying slot widths. A particular design of what slot width configurations would be most advantageous depends on the lens sets that are likely to be used in a particular fixture as will be discussed in greater detail below.

The height of slot extension **24** defines a slot extension radius **22** about the center axis **10**. Since lenses will be inserted in these slots **32**, typically it is desirable that the slot extension radius **22** be greater than an aperture radius **21**. However for some lens configurations this may not be necessary. The aperture radius **21** regulates the aperture of the beam of light entering the lens holder and may be larger or smaller than the radius of the beam.

The top cover **2** also has an interior surface **18** which is complement to the interior surface **20** of the bottom cover **3**. In the embodiment shown, the interior surface **18** of the top cover **2** is also defined by a portion of a cylinder with a central axis designed to be colinear with the center axis **10** of the lighting fixture when the top cover **2** is in an operational configuration: i.e. closed. Although it is not shown in FIG. **2**, the interior surface **18** of the top cover **2** has slots and slot extensions which match/line up with the same elements in the bottom cover **3**. However in the other embodiments of the invention slots and slot extensions may be absent from either the top or bottom covers or may not match or line up.

4

Therefore, when the top cover **2** clips onto the bottom cover **3**, the interior surface radius **20**, the aperture radius **21** and the slot extension radius **22** are defined for the interior surface and extensions of the lens holder **1** for both the interior of the top cover **2** and the interior of the bottom cover **3**. Lenses which are placed in the bottom cover **3** between two of the plurality of slot extensions like slot space **27** will be aligned between the mirrored slot extensions of the top cover **2** when the top cover **2** is clipped to the bottom cover **3**.

To designate the slot space **27** between slot extensions for placement of lenses, each slot space **27** is lettered along the base of the interior of the bottom cover **3**. For example, slot space **27** is the fourth slot space and would be designated as **D**. The top cover **2** designates the same letter for each mirrored slot space of the bottom cover **3** and the plurality of letters **30** corresponding to each slot space are located on the exterior of the top cover **3**. In other embodiments numbers might be used instead of letters to designate spaces. In addition, the placement of the designations might differ based on the visibility of the designators when the lens holder is placed in a fixture.

FIG. **2** shows a single lens **54** and a lens subassembly **55** exploded from the covers. The single lens **54** is an example of a single lens which fits into any of the slot spaces **32** available and is typically used in combination with a lens subassembly. Lens subassembly **55** is a sub lens holder which straddles a slot extension to utilize two neighboring slot spaces **32**, but might be made to utilize any plurality of slot spaces in another embodiment. The lens subassembly **55** might contain a plurality of lenses with spacers separating the lenses and holding them at exact positions from each other. By utilizing a lens subassembly **55** with the lens holder, sets of lens are combined to obtain the desired effect, rather than using many loose single lenses **54**.

Lens subassembly **55** has a holder ring **56** which has two ports. One port is entry port **58** and the other is exit port **59**. A primary lens slides into the holder ring **56** through the exit port **59** and sits against the lip (not shown) extending from the holder ring **56** at the entry port **58**. Spacers sit between the primary lenses and other lenses placed within the holder ring **56**, not obstructing the passage of light through the lenses in the holder ring **56**. Twist ring **57** twists and locks onto the exterior of holder ring **56** at the exit port **59**. Twist ring **57** has a lip which secures the lenses and spacers within the holder ring **56**. This embodiment of a lens assembly is flexible in that multiple assemblies of lenses might be configured to be secured within the holder ring **56**, held apart at specific distances by spacers.

FIGS. **4** and **5** illustrate two (2) independent lens subassemblies **86** and **87** which can be placed together within the lens holder to form a wider angle lens set. Each lens assembly is formed by two halves **100** and **102**. Each half mirrors the other with interior specific slots **88**, **89**, **90**, and **91** and exterior extensions **110** and **111**. Specific slots can be sized to hold lenses of specific width and diameter. For example, the diameter of lens **92** is smaller than the diameter of lens **93** and lens **94** is wider than lens **95**. The ability to use lenses of varied widths and diameters is important in configuring unique sets of lens subassemblies.

Exterior extensions **110** and **111** are greater in length than the slot extension with the lens holder **1**. In the illustrated embodiment, the lens assemblies **86** and **87** expand across two slots. The exterior extensions **110** and **111** sit against the two neighboring slot extensions in the lens holder **1** and the core of each assembly sits above the middle slot extension.

5

The lens subassembly embodiments shown utilize holders which hold lenses in position without any adhesives and are composed of two parts which are not permanently affixed together. The lenses in these subassemblies could be easily replaced within each assembly holder shown. However, other lens subassemblies might be designed to be positioned within the lens holder 1 which include lenses sealed in place. Assembly holders might be a single piece or multiple pieces which can be permanently affixed together.

While lens assemblies are designed to fit in the lens holder 1, the diameter of the lens holder 1 would be determined by the size of lenses that would typically be used in the holder. For a small projector utilizing the modularity and interchangeability of lens holder 1, lenses with a relatively small diameter might be specified. For larger optical systems, the size of the lenses typically used in the system might be relatively large. The lens holder diameter should reflect the expected diameter of typical lenses to be used in the system. In addition, the slots widths of the lens holder 1 should reflect the typical widths of lenses to be used in the system.

In FIG. 2, the bottom cover 3 has clip hole extensions 35, 36, 37 and 38 extending out from the exterior of the lip of the bottom cover 3. Within each clip hole extension 35, 36, 37 and 38 are corresponding rectangular shaped clip holes 40, 41, 42 and 43. The top cover 2 has a set of clips 45, 46, 47 and 48 which extend out and down from the sides of the exterior of the top cover 2. Each clip 45, 46, 47 and 48 ends in a triangle stopper like the triangle stopper 50 on clip 45. The triangle stopper 50 is almost as wide and long as clip hole 40 in clip hole extension 35.

To clip the top cover 2 onto the bottom cover 3, the triangle stopper 50 at the end of each clip on top cover 2 is aligned at the mirrored clip holes of the bottom cover 3. Each triangle stopper 50 is pushed through the clip hole by pressing the clip towards the top cover 2. Once pushed through, each triangle stopper 50 is retained under the outer bottom edge of each clip hole extension. To unclip the top cover 2 from the bottom cover 3, each clip is pressed towards the top cover 2 and then the top cover can be pulled away from the bottom cover as each triangle stopper slips out of each clip hole. Because the main object of the present clipping means is an easy, reliable means of holding the covers together, it should be appreciated that other forms of known clipping mechanisms or fasteners might be used in other embodiments.

To aid the user in the placement of the top cover 2 onto bottom cover 3, the placement of lens subassemblies in the lens holder 1 and single lenses 54, arrows are positioned on these typically symmetrical parts to add a distinct directional characteristic. When placed, all the arrows on marked parts should be pointing in the same reference direction. In this embodiment, the reference direction for all the arrows on all parts is in the direction of the light beam exit port 6. In other embodiments it might be preferable to change the reference direction for placement of parts.

As illustrated in FIG. 2, the top cover 2 comprises a directional arrow 6 in the form of a narrow triangle pointing toward the exit port 6. The directional arrow 6 aids the user in correctly placing the top cover 2 onto the bottom cover 3. In this embodiment, only one directional arrow 6 is placed on the top cover. In other embodiments, the addition of arrows to the exterior of top cover 2 might be preferable.

In all the embodiments of lens subassemblies shown, each lens subassembly includes a plurality of arrows in the form of a triangle about the exterior of the subassembly holder. Lens subassembly 55 has a plurality of arrows 51 about the

6

holder ring 56. Lens assembly 86 and 87 have a plurality of arrows 58 about the exterior of both halves 100 and 102. The plurality of arrows on these lens subassemblies aid the user in placing the lens subassemblies in the lens holder 1 so that they are facing the correct direction.

Single lenses 54 include an arrow 7 printed on the exterior edge of each lens. Also printed with the arrow might be an identifier of the type of lens, date made or size. For example, lens 54 is a type IV lens, while lens 95 is a type 11 lens. For lenses that are to be placed in a lens subassembly like lens 95, the use of arrows aids in the initial placement of the lenses in the lens subassembly and in the replacement of any lens in the subassembly if need be.

Based on the model previously described, interchangeability of the lens holder 1 stems from the use of two parts to form the lens holder 1. The two parts, the top cover 2 and the bottom cover 3, can be fastened together securely and separated easily. The modularity of the lens holder 1 stems from the plurality of slot spaces available in which lenses and lens assemblies can be placed. The lens holder 1 allows interchanging lenses and lens assemblies quickly and easily into a plurality of positions. More specifically, the use of quick release clips as fasteners provides a quick and easy way to attach and remove the top cover 2. Also, the top cover 2 with slot extensions mirroring the bottom cover provides horizontal and vertical stability to the lenses within the lens holder. This stability is needed in the embodiment in order to maintain the lens position within the lens holder about the center axis 10.

While embodiments of the present invention have been illustrated in the accompanied drawings and detailed in the Detailed Description, it will be understood that the invention is not limited to the embodiments disclosed, but is capable of numerous rearrangements, modifications and substitutions of parts without departing from the spirit of the present invention.

We claim:

1. A lens holder comprising:

a bottom cover,

a top cover,

a clipping means for clipping the top cover to the bottom cover,

a plurality of slot extensions lining the inside surface of the bottom cover with at least one of the plurality of slot extensions along the interior surface of the bottom cover is an aperture extension which determines the largest radius of a beam of light entering the lens holder.

2. The lens holder of claim 1 wherein a plurality of slot spaces are defined by the surface space between each of the plurality of slot extensions.

3. The lens holder of claim 2 wherein at least one single lens is positioned within at least one slot space, the single lens with an arrow printed on the edge to designate a reference direction, a single lens with a type, date and size printed on the edge to designate the lens.

4. The lens holder of claim 2 wherein the plurality of slot spaces in the bottom cover are each designated by consecutive numbers or letters on the interior surface of the bottom cover.

5. The lens holder of claim 2 wherein the plurality of slot spaces in the top cover are each designated by consecutive numbers or letter on the exterior surface of the top cover.

6. The lens holder of claim 2 wherein a lens assembly holder holding at least one lens is positioned in at least one slot space and straddling at least one slot extension when more than one slot space is used.

7

7. The lens holder of claim 6 wherein the lens assembly holder comprises a holder ring with an entry port and an exit port, a plurality of lenses within placed within the holder ring through the exit port, a plurality of spacers between each of the plurality of lenses, a twist ring which twists onto the exit port of the holder ring, and a plurality of arrows about the exterior.

8. The lens holder of claim 6 wherein the lens assembly holder comprises two halves of a tube with a plurality of interior specific slots for holding lenses of specific width and a plurality of exterior extensions for positioning the lens assembly holder between slot extensions.

9. The lens holder of claim 1 wherein the top cover comprises an arrow on the exterior of the top cover designating the reference direction.

10. A lens holder system comprising:

a bottom cover;

a top cover;

a clipping means for clipping the top cover to the bottom cover;

the bottom cover with a plurality of slot extensions lining the interior surface;

a sliding system for guiding the bottom cover for limited movement.

11. The lens holder system of claim 10 further comprising:

the bottom cover with at least two sets of rod hole extensions extending out from the bottom of the bottom cover, a tubular rod hole bore within each rod hole extension;

8

the bottom cover with a driver extension extending out from the bottom of the bottom cover, a driver screw holder positioned within a tubular drive hole bore in the driver extension;

a top cover with a plurality of slot extensions lining the interior surface mirroring the plurality of slot extensions lining the interior surface of the bottom cover.

12. The lens holder system of claim 11 wherein the sliding system comprises:

a motor;

a drive screw rotated angularly by the motor;

the drive screw rotating within the driver screw holder; at least one sliding rod which slides through the rod holes in at least one set of rod hole extensions.

13. The lens holder system of claim 12 wherein the motor attaches to a metal driver holder, at least one sliding rod is attached to the metal driver holder at both ends of each sliding rod.

14. The lens holder system of claim 13 wherein the metal driver holder is placed within a light fixture.

15. The lens holder system of claim 12 wherein the motor and sliding rods attach directly within a light fixture.

\* \* \* \* \*