



US006076936A

United States Patent [19]
George

[11] **Patent Number:** **6,076,936**
[45] **Date of Patent:** **Jun. 20, 2000**

[54] **TREAD AREA AND STEP EDGE LIGHTING SYSTEM**

[76] Inventor: **Ben George**, 4640 E. La Palma Ave., Anaheim, Calif. 92807

[21] Appl. No.: **08/756,160**

[22] Filed: **Nov. 25, 1996**

[51] **Int. Cl.**⁷ **F21S 1/14**

[52] **U.S. Cl.** **362/146; 362/238; 362/240; 362/246; 362/250**

[58] **Field of Search** 362/145, 146, 362/153, 249, 250, 372, 238, 240, 244, 246

[56] **References Cited**

U.S. PATENT DOCUMENTS

3,692,993	9/1972	Robinson	362/250
4,143,411	3/1979	Roberts	362/145
4,625,266	11/1986	Winter	362/146
4,943,900	7/1990	Gartner	362/249
5,103,382	4/1992	Kondo et al.	362/250
5,222,799	6/1993	Sears et al.	362/146
5,430,627	7/1995	Nagano	362/146

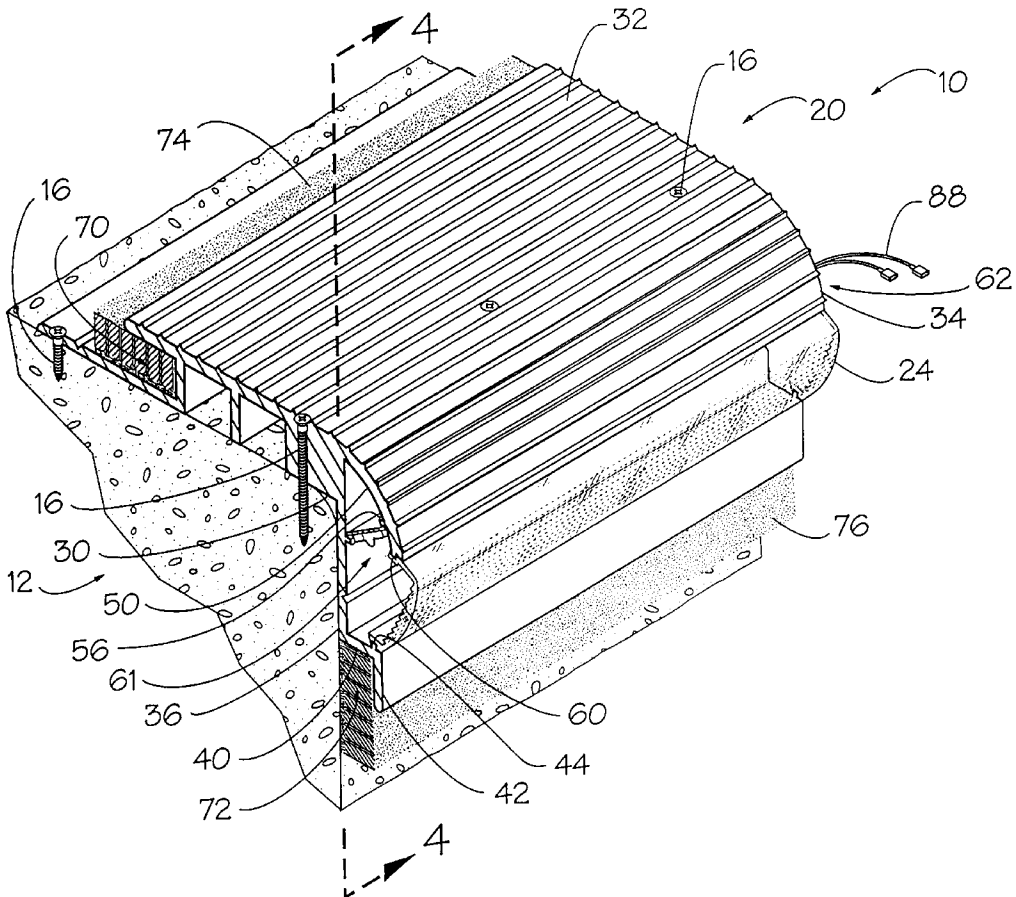
Primary Examiner—Alan Cariaso

Attorney, Agent, or Firm—Knobbe, Martens, Olson, & Bear, LLP.

[57] **ABSTRACT**

A tread area and step edge illumination system is disclosed which comprises a base member configured for attachment to an exposed edge or surface of a step or stair. The base member has a downwardly projecting rearward wall and a forwardly and downwardly extending forward wall portion, a downwardly facing opening being defined between the rearward and forward walls. A light strip assembly having an elongate light strip with a number of longitudinally spaced-apart miniature lights, for example pre-focused LED's, mounted to the strip. The light strip assembly is detachably mounted to the base member so that light from the miniature lights on the light strip is directed downwardly through the downwardly facing opening when the lights are lit, the light strip assembly being mounted to the base member so that the light strip assembly can be selectively adjusted through an angle of about 60° to enable selective adjustment of the direction of light from the light strip assembly. A diffuser lens may be detachably mounted to the base member so that the lens is in the path of light from the light strip assembly when the lights are lit.

13 Claims, 2 Drawing Sheets



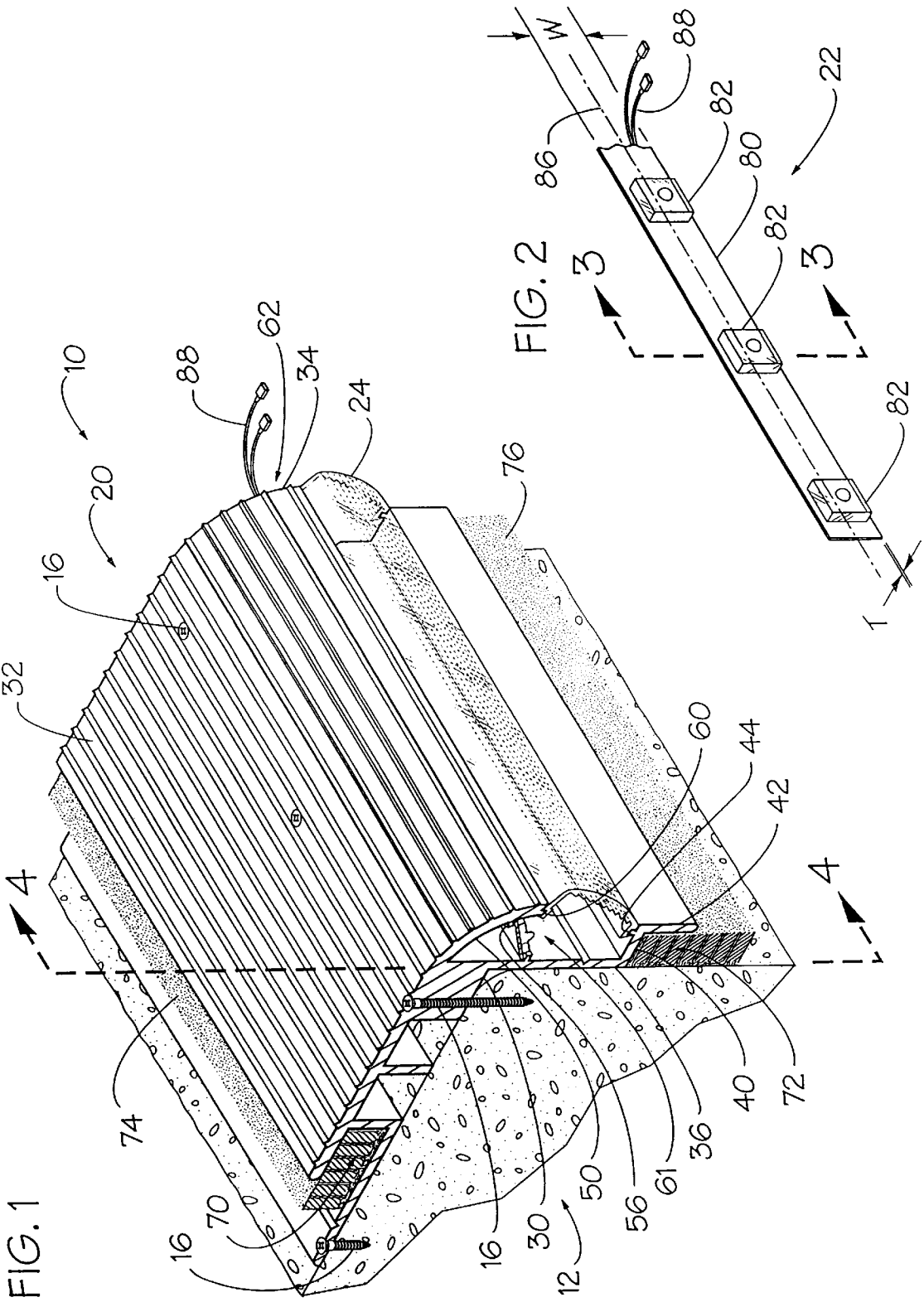


FIG. 5

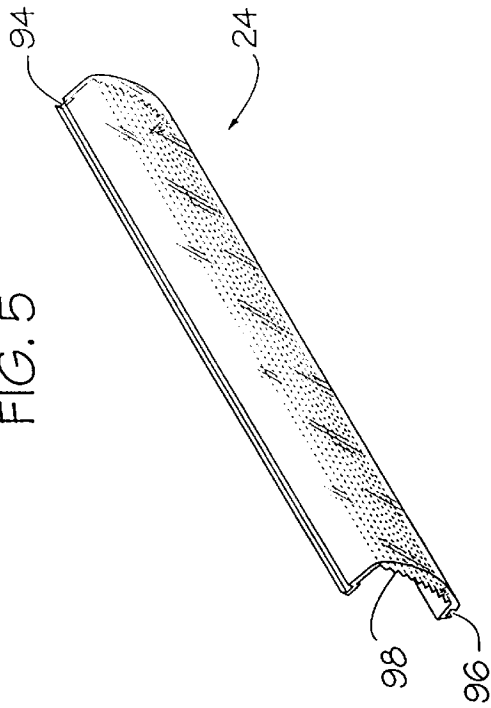


FIG. 3

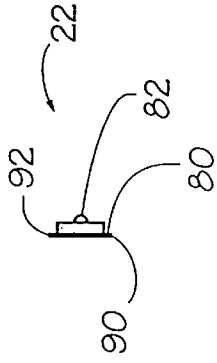


FIG. 4A

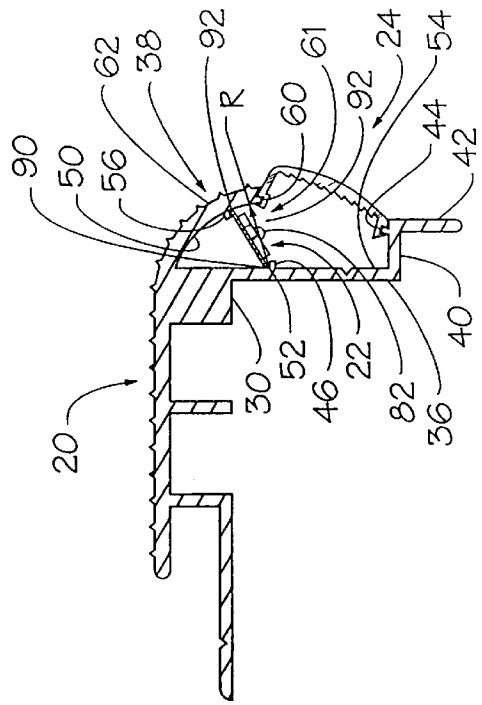
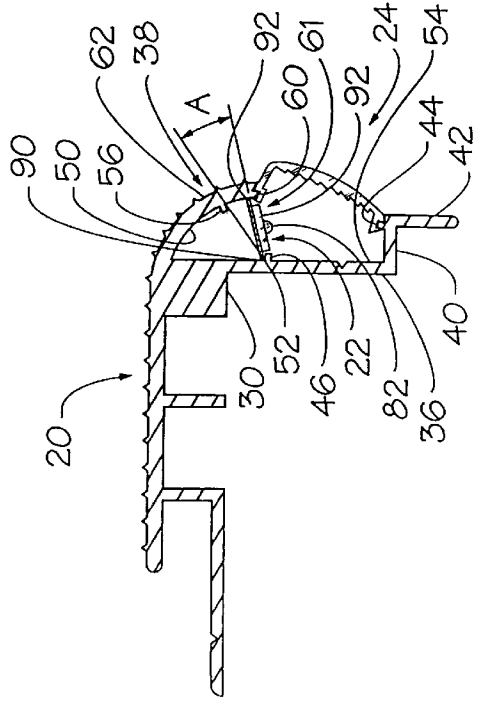


FIG. 4B



TREAD AREA AND STEP EDGE LIGHTING SYSTEM

BACKGROUND OF THE INVENTION

Field of the Invention

The present invention relates generally to the field of apparatus or systems for lighting or illuminating steps or stairs, and more particularly to the field of apparatus or systems for illuminating the tread area and the edges of steps or stairs.

Background Discussion

It will be appreciated that there exists a necessity to light or illuminate the tread area and the edges of steps or stairs, especially in business establishments such as theaters and restaurants, where the steps or stairs may be in dark or dimly lit areas.

Owners or operators of the business establishments that fail to provide adequate lighting at the edge of stairs or steps may be legally liable for substantial damages in the case of injury accidents to customers or patrons who misstep and fall because of losing their footing on dark or poorly lit stairs or steps. If the business owners or operators were aware of a potentially dangerous lighting conditions for their stairs or steps, they may be subject to high punitive damages.

Homeowners may be equally liable to guests who fall as a result of unlit or poorly illuminated stairs, or steps in dark areas, such as in basements or attics.

It can further be appreciated that although edges of steps or stairs in dark areas, such as darkened theaters, need to be illuminated sufficiently to avoid trips and falls of patrons, the illumination needs to be such that it is unobtrusive. That is, the lighting needs to perform its function without being unduly distracting.

It is the principal objective of the present invention to provide an improved tread area and step edge lighting system which satisfies the foregoing requirements.

SUMMARY OF THE INVENTION

In accordance with the present invention, there is provided a tread area and step edge illumination system which comprises a base member configured for attachment to an upper exposed edge of a step or stair, or the like, the base member having a downwardly projecting rearward wall and a forwardly and downwardly extending forward wall portion, a downwardly facing opening being defined between the rearward and forward walls.

Included is a light strip assembly having an elongate light strip with a number of longitudinally spaced-apart miniature lights mounted to the stripe and means for detachably mounting the light strip assembly to the base member so that light from the miniature lights on the light strip is directed downwardly through the downward facing opening when the lights are lit. Preferably the lights are small, long-life pre-focused LED's.

In accordance with a preferred embodiment of the invention, the means for detachably mounting the light strip assembly in the base member enable angular adjustment of the light strip assembly through a preestablished angle, which is between 0° and about 60° so as to enable the selective direction of light from the light strip assembly through the preestablished angle.

The illuminating system preferably also includes a light diffusing lens and means for detachably mounting the lens to

the base member so that the lens is in the path of emitted light from the light strip assembly when the lights are lit.

BRIEF DESCRIPTION OF THE DRAWINGS

5 The present invention can be more readily understood by a consideration of the following detailed description when taken in conjunction with the accompanying drawings, in which:

FIG. 1 is a perspective drawing of the step edge lighting system of the present invention showing a step edge base having installed therein an elongate lighting strip and an elongate lens, and showing the apparatus attached to a representative step edge;

FIG. 2 is a perspective drawing of the lighting strip of FIG. 1 showing the installation thereon of a plurality of longitudinally spaced apart lighting elements;

FIG. 3 is a transverse cross sectional drawing taken along line 3—3 of FIG. 2, showing one of the lighting elements;

FIG. 4 is a transverse cross sectional drawing taken along line 4—4 of FIG. 1, FIG. 4A showing a first position of the lighting strip for providing a generally downwardly directed light and FIG. 4B showing a second position of the lighting strip for providing a light that is generally directed downwardly and forwardly; and

FIG. 5 is a perspective drawing of the lens showing its general construction.

In the various FIGS., the same elements and features are given the same reference numbers.

DESCRIPTION OF THE PREFERRED EMBODIMENT

There is shown in FIG. 1 a step edge lighting apparatus or system 10 that is particularly adapted for lighting or illuminating the tread area of steps or stairs.

Step edge lighting system 10 is shown in FIG. 1 as being attached to an upper edge region 12 of a representative step or stair 14, for example by screws 16, for purposes of describing the invention. It will, however, be appreciated that step edge lighting system is not limited thereto, and can also be used to advantage to illuminate edge regions of such other objects or structures as platforms or patios, roof or rafter edges or exposed edges of decorative planters.

Comprising generally step edge lighting system 10 are a base member or portion 20 (FIGS. 1 and 4), an elongate light strip assembly 22 (FIGS. 1-3) and an elongate lens 24 (FIGS. 1, 4 and 5).

Base portion 20 comprises an elongate structure formed having a 90 degree inner corner region 30 (FIG. 1) which enables the base portion to fit closely around upper forward step corner region 12.

Further forming base portion 20 are a flat upper surface portion 32 and a depending forward nose portion 34, the latter of which comprises a depending, rearward wall or leg 36 and a forwardly and downwardly arched front wall 38. Extending forwardly from the bottom of rearward leg 36 is a short flange 40 that has, at its free forward end a short depending flange 42 and a shorter, upwardly projecting, longitudinally-extending lens-mounting rib 44 that is set slightly rearwardly of flange 42 (best seen in FIG. 4A).

A short longitudinally-extending light strip retaining rib 46 projects forwardly from rearward leg 36 somewhat more than halfway up from the lower end of the leg. Forward wall 38 is constructed so that an inner surface 50 thereof is at a constant radius, R, from an upper intersection line 52 of rib 46 and lower regions of an inner surface 54 of rearward wall 36.

3

A short, longitudinally-extending light strip retaining rib **56** projects rearwardly from inner surface **50** of forward wall **38** near a lower, free end **60** thereof (FIGS. **4A** and **4B**). A downward facing opening **61** is defined between rearward wall **36** and forward wall **38** at lower end **60** thereof (FIG. **4A**). 5

A forward surface **62** of forward wall **38** may, as shown in FIGS. **1** and **4A** and **4B**), be sculptured with plurality of ridges as shown or may be smooth.

Base portion **20**, which may further provide recesses **70** and **72** for edge regions of carpets **74** and **76** (FIG. **1**), is preferably, but not necessarily, extrusion molded of a strong plastic, such as urethane, PVC or styrene. 10

Light strip **22** comprises a thin, narrow strip **80** of heat resistant, electrically inert material such as micarta. The width, *W*, of strip **80** is substantially equal to above-mentioned radius, *R*. Strip **80** has a thickness, *T*, which may be about $\frac{1}{32}$ of an inch. 15

Mounted through strip **80** are a number of longitudinally spaced-apart miniature lights **82**. Lights **82**, which may be spaced several inches apart along a centerline longitudinal axis **86** of strip **80**, may advantageously comprise a "Super-flux" pre-focused LED obtainable from Hewlett Packard. For example, a Hewlett Packard amber, type HPWA-DL00 having a 60° viewing angle and consuming about 147 mW may be used. Lights **82** are connected by electrical conduits **88** to a suitable power source (not shown). 20

Upon assembly of lighting system **10**, light strip **22** is inserted in base portion **20** so that an inner edge **90** (FIGS. **3**, **4A** and **4B**) is resting on top of rib **46** of rearward leg **36** and the other edge **92** of the strip is below rib **56** of forward portion **38**. In such position, light strip can be pivoted about rib **46** through an angle "A" which is about 60° (FIG. **4B**), as may be desired to provide the desired angle of illumination through opening **61**. 25

Lens **24** is constructed from a rigid transparent or translucent plastic for being detachably attached between rib **44** at lower regions of rearward portion **36** and lower end **60** of forward wall **38**. Lens **24** is formed having a small, longitudinal upper recess **94** and a corresponding lower recess **96** (FIG. **5**) to enable such detachable attachment to base portion **20**. As shown in FIG. **5**, lens **24** may be formed having a longitudinally grooved inner surface **98** to provide diffusion of light from lights **82**. On the other hand, lens **24** may be eliminated for maximum illumination purposes. 30

Although there has been described and illustrated a step edge lighting apparatus in accordance with the present invention for purposes of illustrating the manner in which the invention may be used to advantage, it is to be appreciated that the invention is not limited thereto. Therefore, any and all variations and modifications that may occur to those skilled in the applicable art are to be considered as being within the scope and spirit of the claims as appended hereto. 35

What is claimed is:

1. A tread area and step edge illumination system which comprises: 55

- (a) a base member configured for attachment to an exposed edge or surface of a step or stair, said base member having a downwardly projecting rearward wall and a forwardly and downwardly extending forward wall portion, a downwardly facing opening being defined between said rearward and forward walls, at least a forwardly extending, upper region of said forwardly and downwardly extending forward wall portion being constructed to form part of a step tread surface when said system is installed on a step edge; 60
- (b) a light strip assembly having an elongate light strip with a number of longitudinally spaced-apart miniature lights mounted to the strip, said lights comprising of pre-focused light emitting diodes; and 65

4

(b) a light strip assembly having an elongate light strip with a number of longitudinally spaced-apart miniature lights mounted to the strip; and

(c) means for detachably mounting said light strip assembly to said base member so that light from the miniature lights on the light strip is directed downwardly through said downwardly facing opening when said lights are lit, said means for detachably mounting the light strip enabling angular adjustment of said light strip assembly through a given pivotal angle so as to enable the selective direction of light from the light strip assembly through said given pivotal angle.

2. The tread area and step edge illuminating system as claimed in claim **1**, wherein said given pivotal angle is between 0° and about 60°.

3. A tread area and step edge illumination system which comprises:

(a) a base member configured for attachment to an exposed edge or surface of a step or stair, said base member having a downwardly projecting rearward wall and a forwardly and downwardly extending forward wall portion, a downwardly facing opening being defined between said rearward and forward walls, at least a forwardly extending, upper region of said forwardly and downwardly extending forward wall portion being constructed to form part of a step tread surface when said system is installed on a step edge;

(b) a light strip assembly having an elongate light strip with a number of longitudinally spaced-apart miniature lights mounted to the strip; and

(c) means for detachably mounting said light strip assembly to said base member so that light from the miniature lights on the light strip is directed downwardly through said downward facing opening when said lights are lit, said means enabling angular adjustment of the light strip assembly through a given pivotal angle so as to enable the selective direction of light from the light strip assembly through said given pivotal angle.

4. The tread area and step edge illuminating system as claimed in claim **3**, wherein said given pivotal angle is about 60°.

5. The tread area and step edge illuminating system as claimed in claim **3**, including a lens and means for detachably mounting said lens to said base member so that the lens is in the path of light from said light strip assembly when said lights are lit, said lens being configured for diffusing light passing through the lens.

6. The tread area and step edge illuminating system as claimed in claim **3**, wherein said lights comprise pre-focused light emitting diodes.

7. A tread area and step edge illumination system which comprises:

(a) a base member configured for attachment to an exposed edge or surface of a step or stair, said base member having a downwardly projecting rearward wall and a forwardly and downwardly extending forward wall portion, a downwardly facing opening being defined between said rearward and forward walls, at least a forwardly extending, upper region of said forwardly and downwardly extending forward wall portion being constructed to form part of a step tread surface when said system is installed on a step edge;

(b) a light strip assembly having an elongate light strip with a number of longitudinally spaced-apart miniature lights mounted to the strip, said lights comprising of pre-focused light emitting diodes; and

5

- (c) means for detachably mounting said light strip assembly to said base member so that light from the miniature lights on the light strip is directed downwardly through said downward facing opening when said lights are lit, said means enabling angular adjustment of the light strip assembly through a given pivotal angle so as to enable the selective direction of light from the light strip assembly through said given pivotal angle. 5
- 8. The tread area and step edge illuminating system as claimed in claim 7, wherein said given pivotal angle is about 60°. 10
- 9. The tread area and step edge illuminating system as claimed in claim 7, including a lens and means for detachably mounting said lens to said base member so that the lens is in the path of light from said light strip assembly when said lights are lit, said lens being configured for diffusing light passing through the lens. 15
- 10. A tread area and step edge illumination system which comprises: 20
 - (a) a base member configured for attachment to an exposed edge or surface of a step or stair, said base member having a downwardly projecting rearward wall and a forwardly and downwardly extending forward wall portion, a downwardly facing opening being defined between said rearward and forward walls; 25
 - (b) a light strip assembly having an elongate light strip with a number of longitudinally spaced-apart miniature lights mounted to the strip; and
 - (c) means for detachably mounting said light strip assembly to said base member so that light from the miniature lights on the light strip is directed downwardly through said downward facing opening when said lights are lit, said means enabling angular adjustment of the light strip assembly through a given pivotal angle of about 60° so as to enable the selective direction of light from the light strip assembly through said given pivotal angle. 30 35
- 11. A tread area and step edge illumination system which comprises: 40
 - (a) a base member configured for attachment to an exposed edge or surface of a step or stair, said base member having a downwardly projecting rearward wall and a forwardly and downwardly extending forward wall portion, a downwardly facing opening being defined between said rearward and forward walls; 45
 - (b) a light strip assembly having an elongate light strip with a number of longitudinally spaced-apart miniature lights mounted to the strip;
 - (c) means for detachably mounting said light strip assembly to said base member so that light from the miniature lights on the light strip is directed downwardly through said downward facing opening when said lights are lit, said means enabling angular adjustment of the light strip assembly through a given pivotal angle so as to 50

6

- enable the selective direction of light from the light strip assembly through said given pivotal angle; and
- (d) a lens and means for detachably mounting said lens to said base member so that the lens is in the path of light from said light strip assembly when said lights are lit, said lens being configured for diffusing light passing through the lens.
- 12. A tread area and step edge illumination system which comprises:
 - (a) a base member configured for attachment to an exposed edge or surface of a step or stair, said base member having a downwardly projecting rearward wall and a forwardly and downwardly extending forward wall portion, a downwardly facing opening being defined between said rearward and forward walls;
 - (b) a light strip assembly having an elongate light strip with a number of longitudinally spaced-apart miniature lights mounted to the strip, said lights comprising of pre-focused light emitting diodes; and means for detachably mounting said light strip assembly to said base member so that light from the miniature lights on the light strip is directed downwardly through said downward facing opening when said lights are lit, said means enabling angular adjustment of the light strip assembly through a given pivotal angle of about 60° so as to enable the selective direction of light from the light strip assembly through said given pivotal angle.
- 13. A tread area and step edge illumination system which comprises:
 - (a) a base member configured for attachment to an exposed edge or surface of a step or stair, said base member having a downwardly projecting rearward wall and a forwardly and downwardly extending forward wall portion, a downwardly facing opening being defined between said rearward and forward walls;
 - (b) a light strip assembly having an elongate light strip with a number of longitudinally spaced-apart miniature lights mounted to the strip, said lights comprising of pre-focused light emitting diodes; and
 - (c) means for detachably mounting said light strip assembly to said base member so that light from the miniature lights on the light strip is directed downwardly through said downward facing opening when said lights are lit, said means enabling angular adjustment of the light strip assembly through a given pivotal angle so as to enable the selective direction of light from the light strip assembly through said given pivotal angle, and
 - (d) a lens and means for detachably mounting said lens to said base member so that the lens is in the path of light from said light strip assembly when said lights are lit, said lens being configured for diffusing light passing through the lens.

* * * * *