

US005758955A

United States Patent [19]

Belliveau

[11] Patent Number: **5,758,955**

[45] Date of Patent: **Jun. 2, 1998**

[54] **LIGHTING SYSTEM WITH VARIABLE SHAPED BEAM**

[75] Inventor: **Richard S. Belliveau**, Austin, Tex.

[73] Assignee: **High End Systems, Inc.**, Austin, Tex.

[21] Appl. No.: **500,693**

[22] Filed: **Jul. 11, 1995**

[51] Int. Cl.⁶ **F21V 9/00**

[52] U.S. Cl. **362/293; 362/281; 362/284; 362/285; 362/323; 362/371; 362/373; 353/84; 359/621**

[58] **Field of Search** 353/84, 88, 97; 359/234, 235, 619, 621, 624, 628, 668-671; 362/281, 283, 284, 293, 332, 285, 294, 268, 319, 323, 368, 370, 371, 373, 418, 427; 40/560

[56] **References Cited**

U.S. PATENT DOCUMENTS

| | | | | |
|-----------|--------|-----------|-------|---------|
| 3,260,152 | 7/1966 | Aston | | 355/35 |
| 4,104,707 | 8/1978 | Schneider | | 362/281 |
| 4,208,100 | 6/1980 | Bischl | | 362/281 |

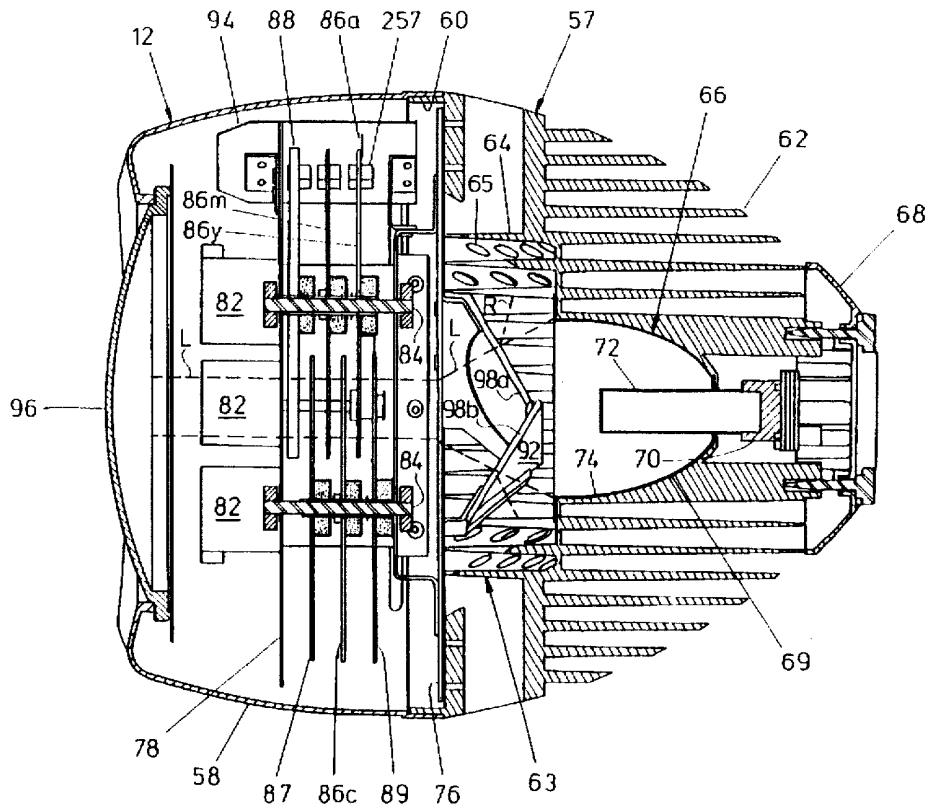
| | | | | |
|-----------|---------|------------------|-------|---------|
| 4,232,359 | 11/1980 | Leon et al. | | 362/281 |
| 4,627,690 | 12/1986 | Fantone | | 359/834 |
| 4,697,227 | 9/1987 | Callahan | | 362/284 |
| 4,779,176 | 10/1988 | Bornhorst | | 353/84 |
| 4,824,191 | 4/1989 | Kato et al. | | 359/495 |
| 4,914,556 | 4/1990 | Richardson | | 362/293 |
| 4,984,143 | 1/1991 | Richardson | | 362/293 |
| 5,282,121 | 1/1994 | Bornhorst et al. | | 362/294 |

Primary Examiner—Alan Cariaso

[57] **ABSTRACT**

A lens for use in a light fixture provided to project a beam of light in a first light pattern having a first cross-sectional geometry. A lenticular lens element is supported in the fixture and movable into a position to interrupt the beam of light for selecting beam shape by altering the first projected light pattern from the first cross-sectional geometry to a second cross-sectional geometry different from the first geometry and for moving the second pattern to a desired orientation. The lens element may be carried by a disc rotatably mounted in the fixture. The disc may carry a plurality of lens elements which can also change the orientation of the projected light patterns.

4 Claims, 10 Drawing Sheets



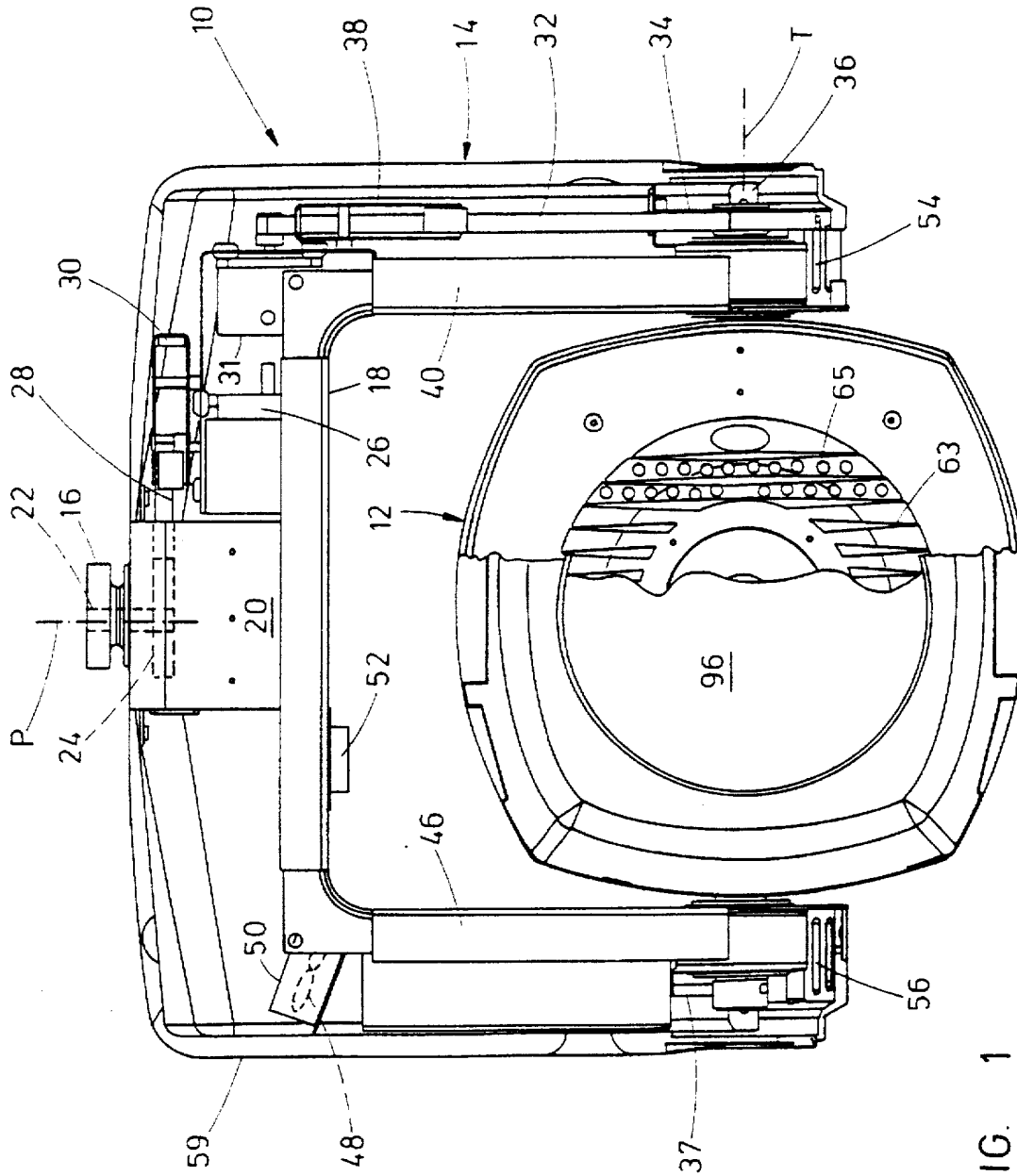


FIG. 1

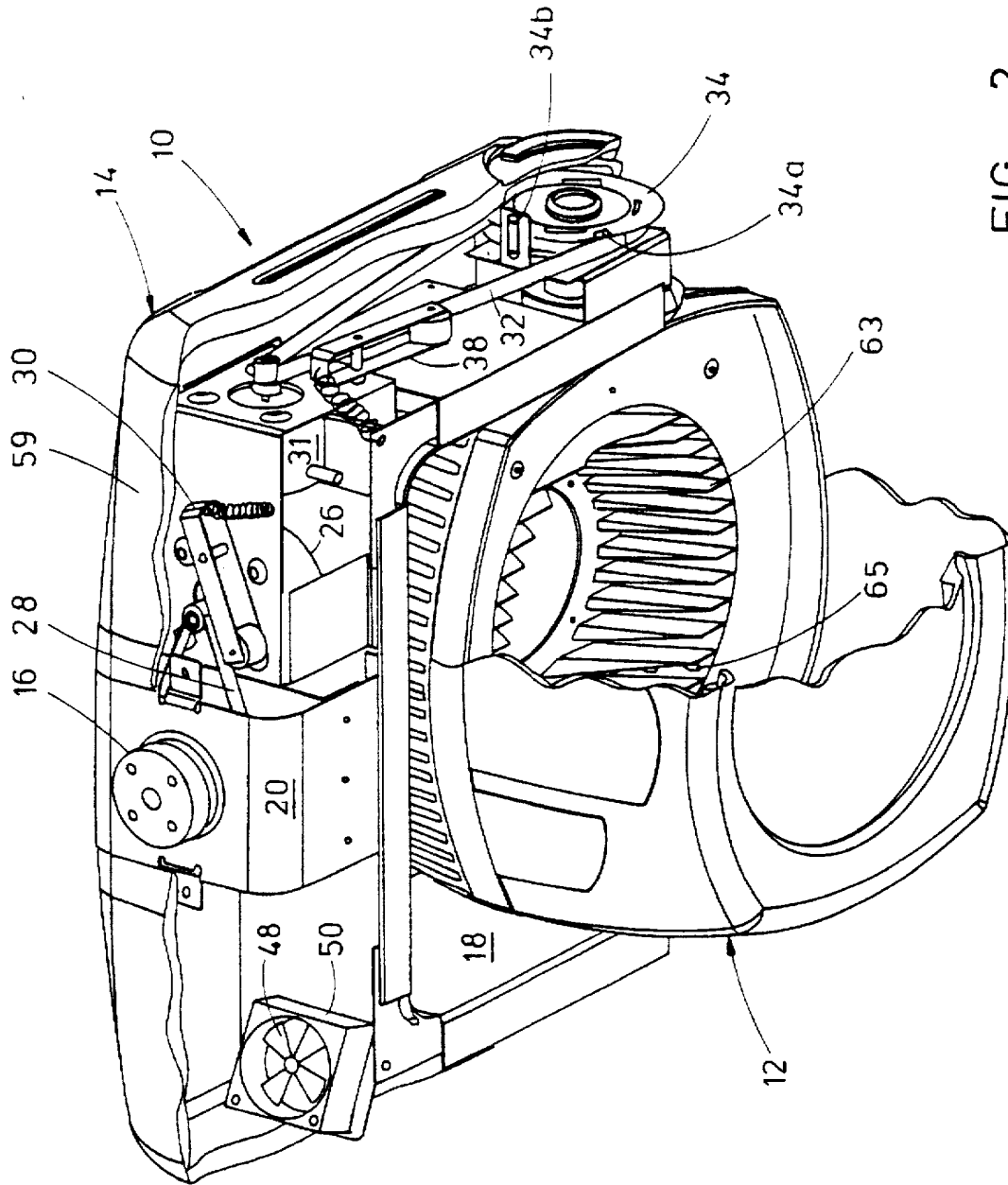


FIG. 2

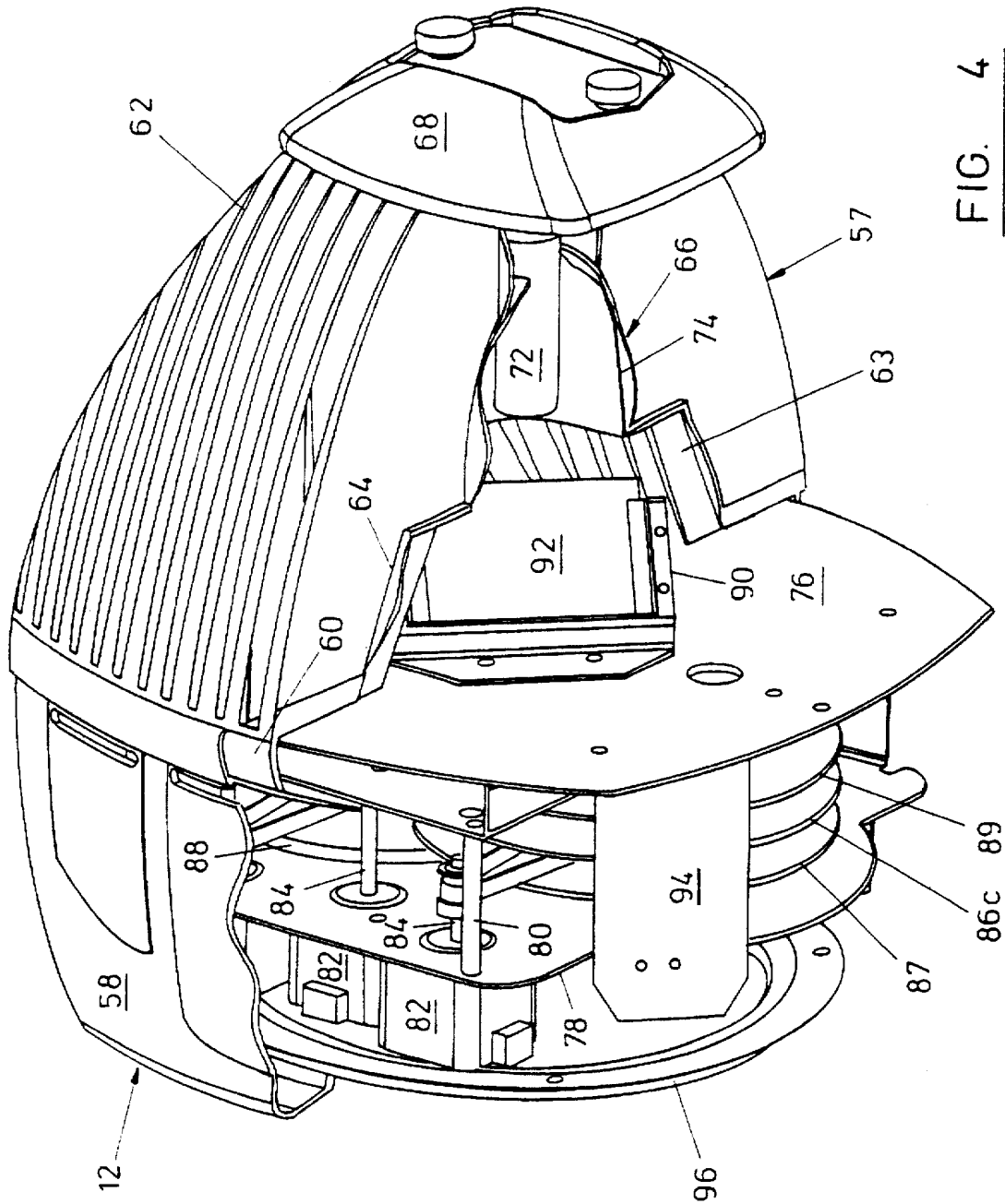
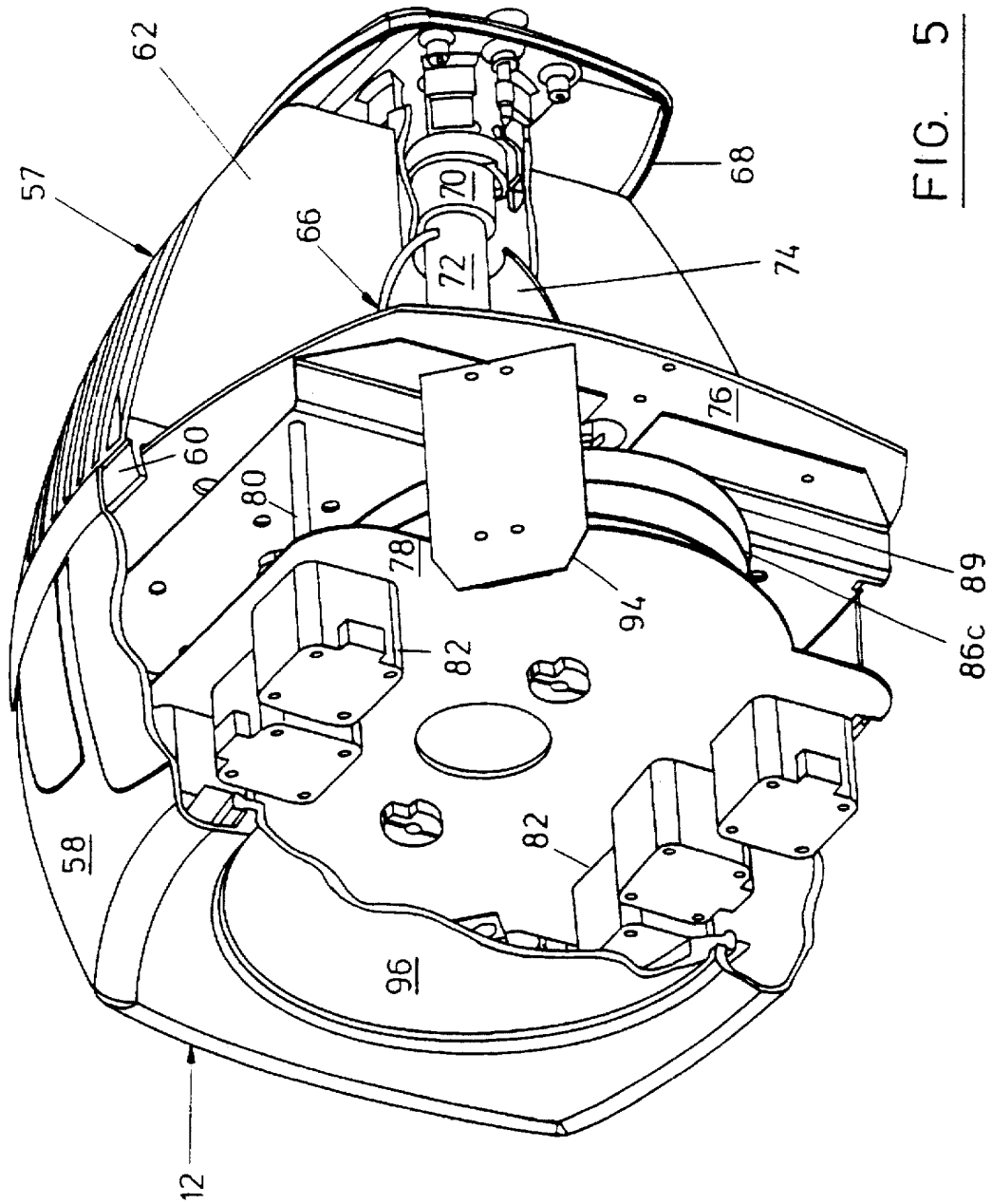


FIG. 4



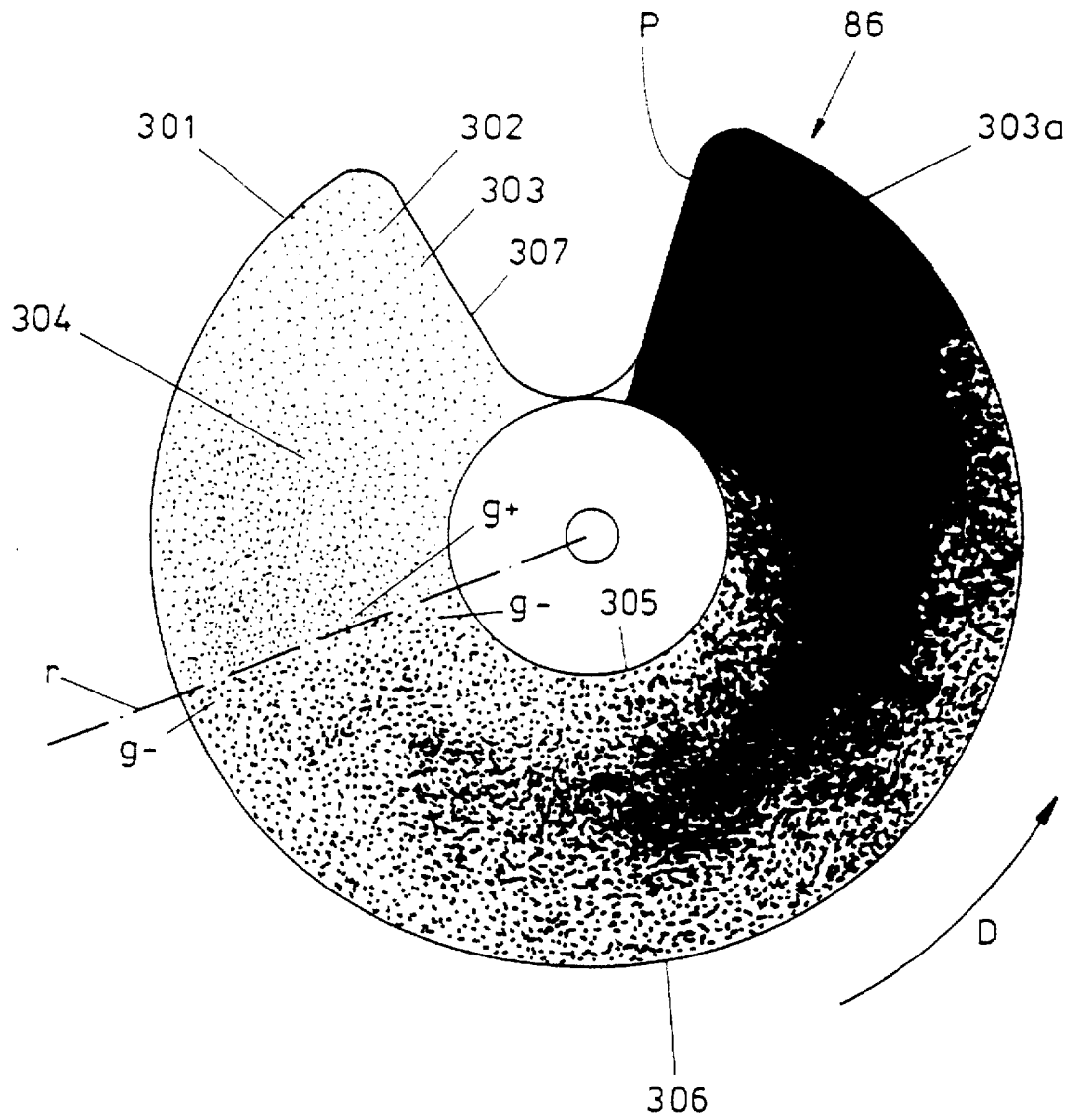


FIG. 6

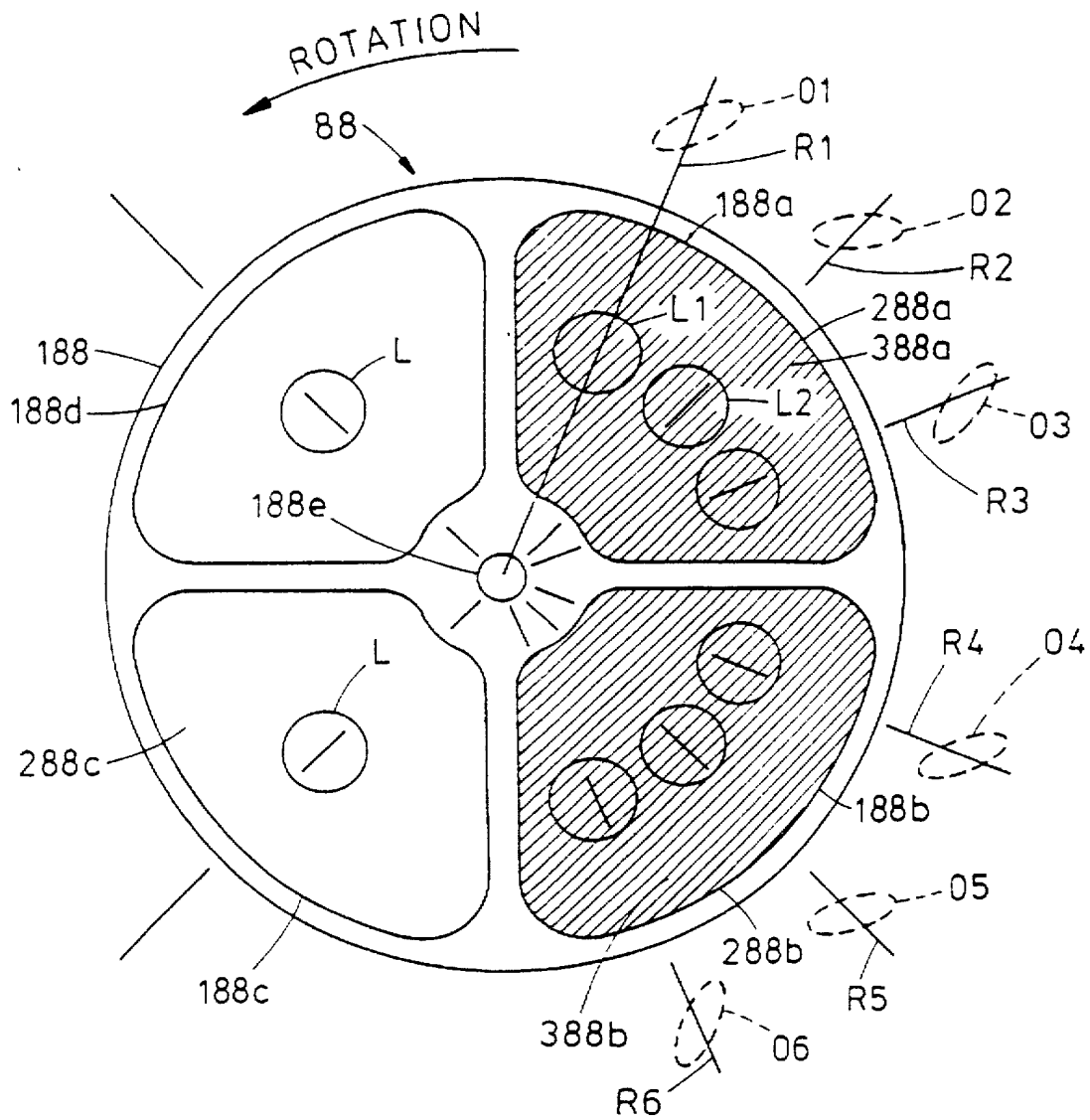


FIG. 7A

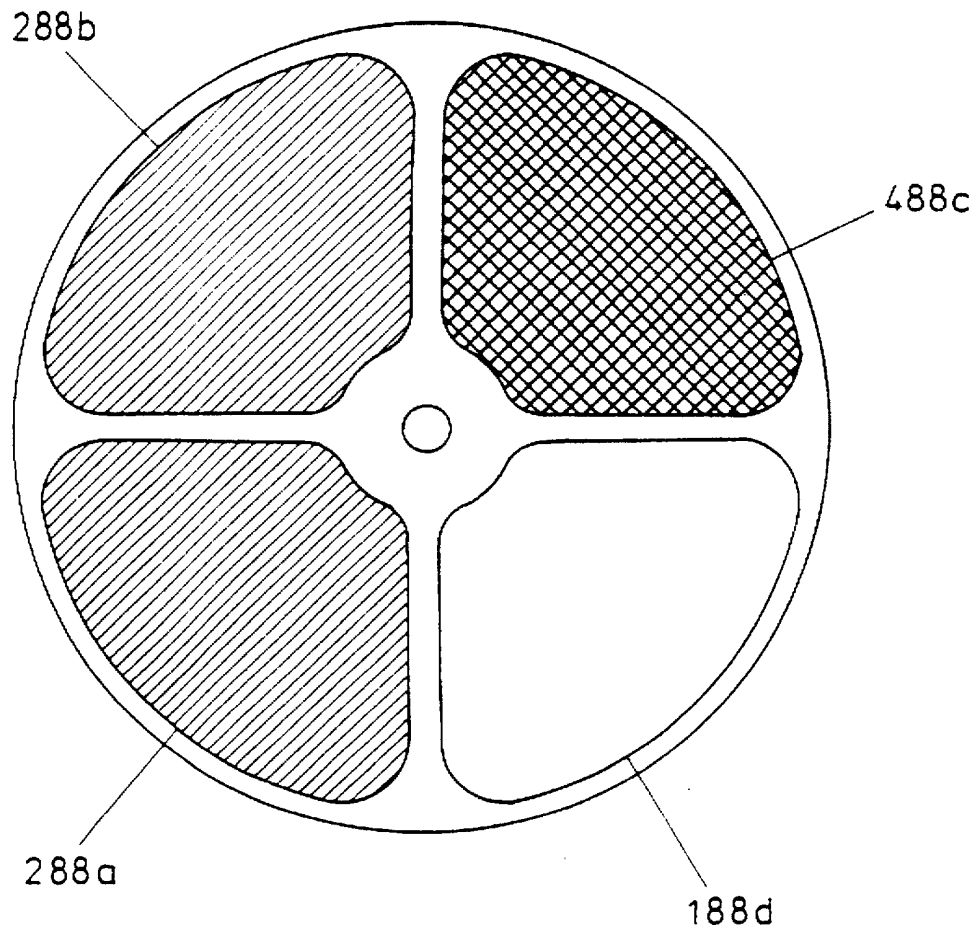


FIG. 7B

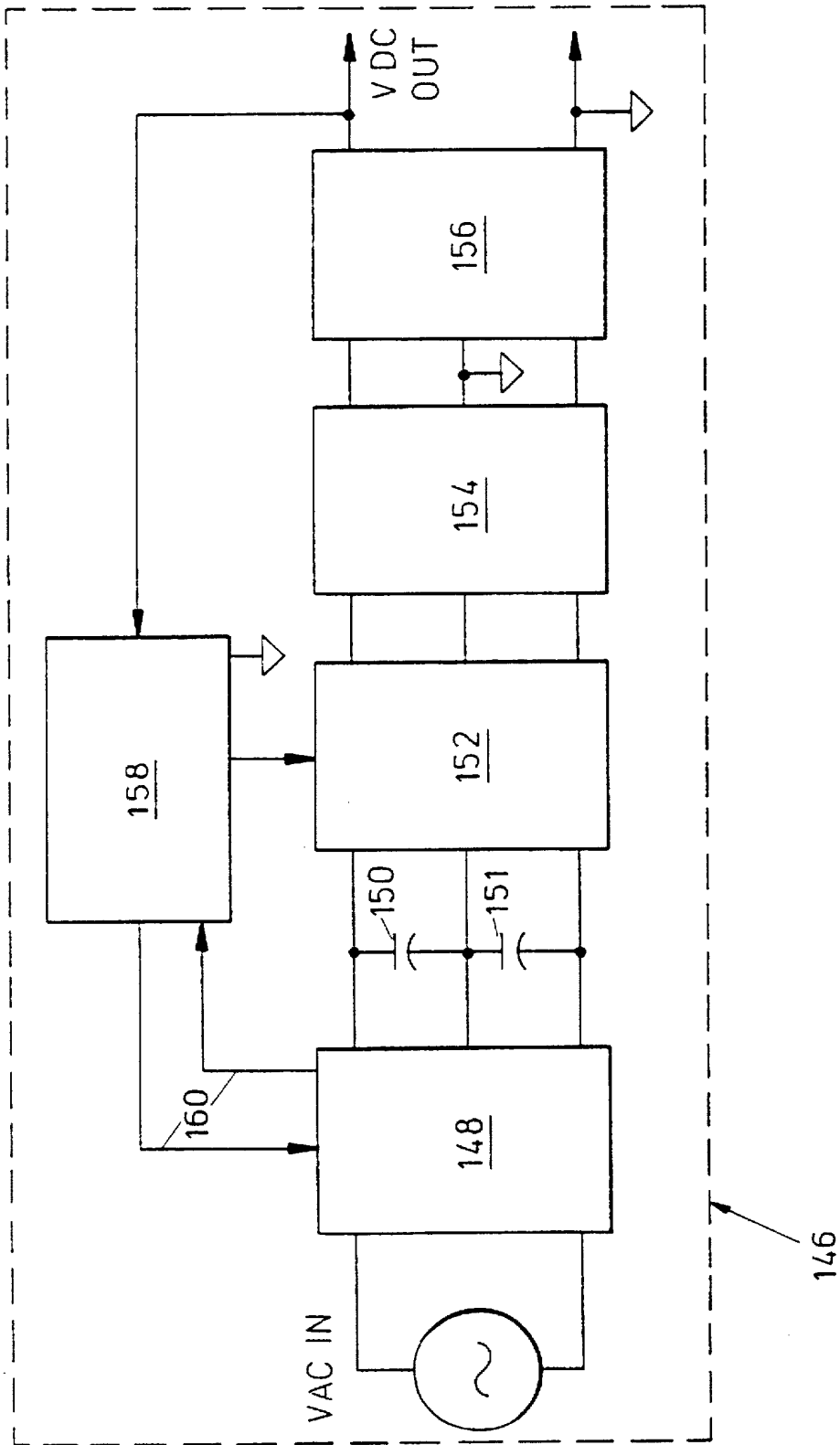


FIG. 8

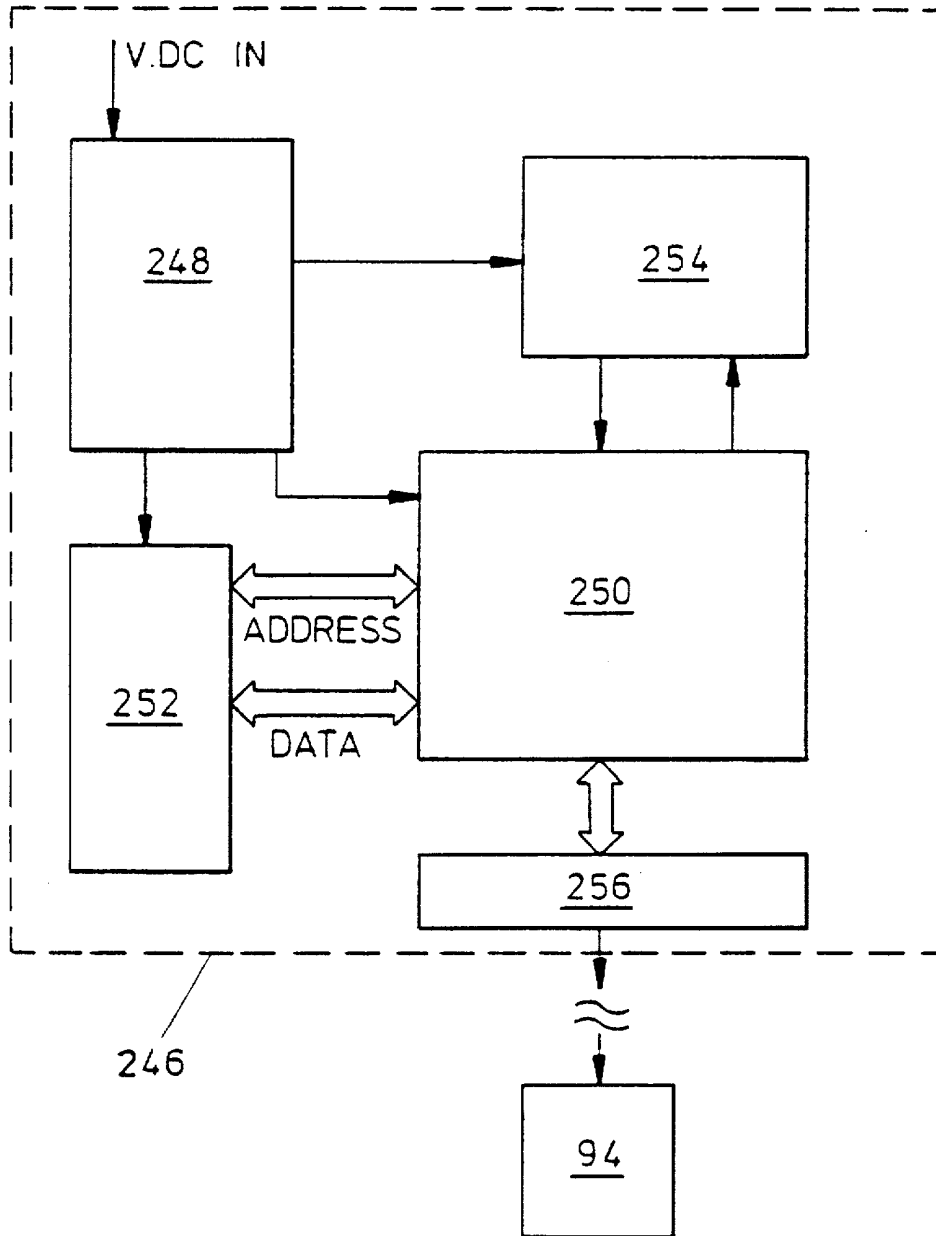


FIG. 9

LIGHTING SYSTEM WITH VARIABLE SHAPED BEAM

FIELD OF THE INVENTION

This invention relates generally to stage and theater lighting fixtures and more particularly to a color wash luminaire which provides variable intensity, variable color, variable positioning and variable beam angles in a single compact fixture.

BACKGROUND OF THE INVENTION

Wash lights, as they are generally known, are used to provide uniform illumination and coloration to a theatrical set. Numerous lighting fixtures have been provided in the past wherein the output of the light source and reflector are selectively colored by the positioning of one or more colored media in front of the light beam. Some of these applications have included a strip of media moved across a light beam, a scrolling variable density gel media device, and gradient density color wheels. None of these variable density filters address or consider the power density of the light beam. They do not compensate for the non-linear distribution of light intensity across a light beam which results from the use of a more efficient elliptical reflector. As a result, when used with such a reflector, a linear distribution color wheel will provide a non-linear coloration of the light beam, which is darker at the edges and perceptibly lighter toward the center of the beam. A ratio of power from center of beam to beam edge is often on the order of 50%. Variable density filters which do not address the power density of the beam produce results which are non-uniform and leave an apparent white spot in the center of the beam while darkening the edge first. This accentuates the power gradient shift and makes the resultant coloration more objectionable. A further complication of this approach is that fully saturated colors cannot be used due to excessive transmission losses at fractional percentages or an exaggeration of the power density losses.

Prior art lights of the type contemplated by this invention most often utilize two moving lenses or a moving light source with a single lens and require substantial space and complex mechanical slide systems. These limitations make it difficult to provide a fixture of a compact size.

Heat dissipation is always a critical consideration in lighting fixtures. Many fixtures utilize a hot mirror reflector which is, at best, fifty percent efficient in controlling the infrared heat energy. Fan cooling is therefore typically required for an additional heat transfer capability in conventional stage and studio lighting which again detracts from a compact fixture. Also typical of such fixtures is the lack of a module based design so that, for example, the addition or removal of control and sensor functions requires redesign of the system hardware.

Lights used in a studio or for photographic purposes often project a round cross-sectional pattern of light such as that seen by the ordinary flashlight. Simple devices utilize a reflector and a lamp or utilize sealed beam lamps, such as automotive head light type lamps. These sealed lamps consist of a reflector, a lamp and a type of diffuser or lens to soften the projected spot, and sometimes to focus the projected spot from either a narrow spot or a wide flood. More complicated arrangements involve ellipsoidal reflectors or condensing systems which focus light through an aperture which is imaged by projector lenses. These types of systems commonly produce a more uniform beam of light than that of the sealed beam type. Other types of lights used include fresnel projectors, which utilize a fresnel projecting lens.

The fresnel projecting lens is known to provide a beam of light that is homogenous with a gradual rolloff of light output toward the edges. Many of the things illuminated on a stage or studio do not always require a round beam of light since many stages or studio sets can often be more wide than they are tall. Illuminated subject areas often require the use of a framing projector or devices known as barn doors which can be utilized to change cross-sectional pattern or the shape of the beam by shadowing the light projected from the device as a means to change the shape of the beam.

The foregoing illustrates limitations of the known prior art. Thus it is apparent that it would be advantageous to provide alternatives directed to overcoming one or more of the limitations as set forth above. Accordingly, suitable alternatives are provided including features and benefits more fully disclosed hereinafter.

SUMMARY OF THE INVENTION

In one aspect of the present invention, this is accomplished by providing a lens for use in a light fixture provided to project a beam of light having a first light pattern of a first cross-sectional geometry. Means including a lenticular lens element is supported in the fixture and movable into a position to interrupt the beam of light, for altering the first projected light pattern from the first cross-sectional geometry to a second projected light pattern having a second cross-sectional geometry different from the first geometry.

In another aspect of the present invention, a moving light fixture includes a yoke and means for movably suspending the yoke from a support. A housing is movably connected to the yoke and has a first portion including a light source and means for removing heat generated from the light source. The housing has a second portion including a plurality of movable color filters and at least one lenticular lens. The light source is operable to project a beam of light, having a first light pattern of a first cross-sectional geometry, along a path through the color filters and a lenticular lens. Means including the lens are supported in the fixture and movable into a position to interrupt the beam of light for altering the first projected light pattern from the first cross-sectional geometry to a second projected light pattern having a second cross-sectional geometry, different from the first geometry. This provides for selectable beam shape by moving the second projected light pattern to a desired orientation.

The foregoing and other aspects will become apparent from the following description of the invention when considered in conjunction with the accompanying drawing figures. It is to be expressly understood, however, that the figures are not intended as a definition of the invention, but are for the purpose of illustration only.

BRIEF DESCRIPTION OF THE DRAWING FIGURES

FIG. 1 is a frontal view, with partial cutaway portions, illustrating an embodiment of the luminaire of this invention;

FIG. 2 is a perspective view, with partial cutaway portions, illustrating an embodiment of the luminaire of this invention;

FIG. 3 is a cross-sectional view, illustrating an embodiment of the housing of this invention;

FIG. 4 is a perspective view, with partial cutaway portions, illustrating an embodiment of the housing of this invention;

FIG. 5 is another perspective view, with partial cutaway portions, illustrating an embodiment of the housing of this invention;

FIG. 6 is a plan view illustrating an embodiment of the color filter of this invention;

FIG. 7A is a planar view illustrating an embodiment of the rotatable lenticular lens device of this invention;

FIG. 7B is a planar view illustrating another embodiment of the rotatable lenticular lens device of this invention;

FIG. 8 is a diagrammatic view illustrating an embodiment of the power board of this invention; and

FIG. 9 is a diagrammatic view illustrating an embodiment of the logic board of this invention.

DETAILED DESCRIPTION OF THE INVENTION

The present invention employs a custom designed halogen light source with a compacted filament cross-section of only 10×10 mm while still providing a high wattage level of 750 Watts. To achieve this, a custom lamp has been designed to operate at a relatively low fixed voltage of 110 VAC, thereby minimizing arcing within the filament winding and allowing the more compacted filament area. Compacting of the light source in this way allows for the use of a very efficient elliptical reflector. This compacting of source cross-section when utilized in conjunction with the custom computer optimized elliptical reflector allows this luminaire to obtain very high light output comparable to that of a 1000 Watt light source, but with substantial savings in power requirements and heating. Further, it provides a concentrated small beam cross-section which is ideally suited to use with the color mixing system provided.

The present invention utilizes a unique color mix system. Color mixing is obtained through the use of a fixed color wheel which provides 5 primary colors plus white, used in combination with a new subtractive color mix system. The color mix system uses three gradient color wheels whose color distribution has a linear gradient characteristic in the radial direction of rotation while the axial distribution of color is Gaussian. This patterning results in compensation for the non-linear Gaussian distribution of intensity through the light beam as results in a device of this type where an elliptical reflector is used with the light source. This Gaussian distribution results in much more uniform coloration of the light beam unlike a conventional gradient wheel which has fixed distribution in the radial direction and linear distribution in the axial direction of the color wheel.

The use of Gaussian distribution of color on the color wheel compensates for non-linearity of the light source in an inverse fashion, thereby providing for a coloration of the beam which is essentially linear across the light beam. The color mixing system of the present invention provides for 167,000,000 color possibilities (6 colors on main color wheel×256 gradient colors/wheel cubed for 3 wheels=167 million color permutations). An additional wheel may be provided for the purposes of incorporating mechanical dimming of the light source where the resultant color temperature shift that occurs with electronic dimming of the lamp is not desired.

In this invention, three dichroic color filters, magenta, cyan and yellow, are utilized where the gradient colored portions of these filters are patterned to be coincident with the inverse of the power gradient of the source. That is, the color filter gradient is greatest toward the center of the arc where it crosses the maximum power point of the source, dropping proportionally to the outer edge of the gradient wheel and light beam. Saturation of the color pattern increases proportionally as the filter is rotated further, culminating in 100% saturation at 300 degrees of the angular

travel. The "gradient" of the filter can be achieved through multiple small "fingers" of color whose width is varied proportional to the angular travel or, alternatively, where a printed pattern is increased in density as the angular travel is increased. In all cases, the coloration of the filter is concentrated toward the center of the filter arc coincident with the wheels travel over the point of maximum power gradient of the light source. The construction of the gradient wheel also includes a beam cut-out located in a position where the beam will pass through when only white light is desired. This eliminates the loss due to passing through the glass substrate when maximum white light out put is desired.

This invention also includes a rotating lens device including a lenticular lens element movable into a position to interrupt the beam of light for selecting beam shape by altering a circular beam pattern to a ellipsoidal beam pattern and for moving the ellipsoidal beam pattern to a desired orientation.

This invention further includes a unique approach to the mechanical considerations of a lighting system which comprises an optimized reflector/heat sink assembly and IR filter assembly to direct and control heat generated by its incandescent light source. The assembly incorporates a spun aluminum reflector mounted in the heat sink assembly. The resultant concentrated light beam is directed to a pair of angularly mounted dichroic filters which redirect the IR portion of the light beam into integral internal heat sinks. The internal sinks capture the IR energy from the light source and conduct it to the outer portion of the integral sink assembly. The external fins of the heat sink assembly are oriented vertically to the plane of movement of the fixture, providing optimized convection and dissipation of the heat from the internal source. This arrangement provides approximately 85% reduction of heat between the rear chamber and the optical section. The heat sink assembly also provides the mechanical basis for the remainder of the mechanical system, providing a high integrity structure from which the remaining secondary assemblies are mounted. In addition, a heat blocking wall is provided in the front portion of the heat sink/reflector assembly which further isolates the lamp heat from the remaining electronic and optical components located in the front portion of the fixture. The front optical section is shrouded by a high impact plastic bezel which allows for easy access to the mechanical and optical systems for service and/or maintenance.

Referring now to the drawings, FIGS. 1 and 2 illustrate the wash luminaire of the present invention, generally designated 10. Luminaire 10 comprises a housing 12 connected to a yoke 14 which may be suspended from a supporting truss (not shown) by means of a clamp (also not shown) attached to yoke 14 at connector 16.

Yoke 14 comprises a suitable metal frame 18 including a metal bracket 20 to reinforce yoke 14. Connector 16 is bearing mounted and connected by means of a shaft 22 to a gear 24 positioned adjacent bracket 20. Gear 24 includes a notch (not shown) which operates with an adjacent position sensor (not shown) for pan position control. A motor 26, supported by frame 18, drives belt 28 to rotate gear 24 for the purpose of providing a 360 degree rotation about the centroidal axis P of shaft 22. This provides the pan capability to luminaire 10. A suitable idler arrangement 30 is provided to engage belt 28.

Another motor 31, also supported by frame 18, drives belt 32 to rotate gear 34 for the purpose of providing at least a 270 degree rotation about the centroidal axis T of a shaft 36. Similar to gear 24, gear 34 includes a notch 34a which

operates with an adjacent position sensor **34b** for tilt position control. This provides the tilt capability to luminaire **10**. Another suitable idler arrangement **38** is provided to engage belt **32**. A travel stop **37** is connected to the tilt mechanism to limit movement of luminaire **10** to a desired tilt angle.

A manual off-on switch or breaker **52** is also mounted externally on yoke **14**. A cooling fan **48** mounted in a housing **50** is operable to draw cooling air into yoke **14** through a plurality of vents **54**, across the internal components of yoke **14**, and outwardly through a similar plurality of vents **56**. A cover **59**, formed of a rigid synthetic material, which includes vents **54** and **56**, encloses yoke **14** and the above described components.

In FIGS. 3, 4, and 5, housing **12** is illustrated and generally comprises an aluminum casting **57** and a bezel **58**, formed of a suitable rigid synthetic material. Casting **57** includes a base **60**, at a first end, from which a first plurality of contoured external cooling fins **62** extend. A stepped annular relief **66** is provided within casting **57** and includes an annular portion **64** and a truncated elliptical portion **69**. Annular portion **64** also includes cooling vents **65**. A second plurality of internal cooling fins **63** are disposed about an inner annular periphery of annular portion **64**. First and second fins **62**, **63**, respectively, are aligned.

An aluminum end cap **68** is mounted on a second end of casting **57**. A lamp base **70** and lamp **72** are mounted on end cap **68**. Lamp **72** extends into open annular relief **66**. An elliptical reflector **74** is also mounted in elliptical portion **69** so as to suitably surround lamp **72**. Lamp **72** is powered by AC power in a conventional manner.

An aluminum heat blocking wall, or hot plate **76**, is mounted on the first end of casting **57**, and is spaced from a motor mounting plate **78** by spacer elements **80**. A plurality of motors **82** are mounted on motor mounting plate **78** and rotating shafts **84**, extending from motors **82**, are operable to be belt driven to rotate a plurality of staggered color filters **86**, a power lens **88**, a mechanical dimming wheel **89**, and a frost wheel **87**. Tabs, such as tab **86a**, on color filter **86**, are provided on these shaft mounted, rotating lenses, filters, etc., to operate with a plurality of respective adjacent position sensors **257** mounted on a pair of motor/driver sensor boards **94** mounted between plates **76**, **78** for the purpose of sensing the positions of each of the shaft mounted rotating devices including color wheels **86**, etc.

Light beam L, FIG. 3, is condensed to a diameter of about 1.25 inches in diameter where it exits casting **57** at hot plate **76**. The beam then passes through the series of wheels; color filters, lens, etc. In the embodiment of FIG. 3, bezel **58** houses a series of 6 wheels. Dimming wheel **89**, dichroic coated color filter (yellow) **86y**, dichroic coated color filter (cyan) **86c**, dichroic coated color filter (magenta) **86m**, power lens **88** and frost wheel **87**. Three of these wheels are mounted on shaft **84** and another three are mounted on a corresponding shaft **84**. The 2 sets of 3 wheels are interleaved, i.e. partially overlapped, in known fashion, to optimize the number of surfaces exposed to beam L. The positions of the three wheels on one shaft **84** are sensed by their respective sensors **257** on one of the boards **94**, and the positions of the other three wheels on the other shaft **84** are similarly sensed by their respective sensors **257**.

Dimming wheel **89** is used to attenuate the light and is a dichroic coated glass substrate identical in patterning (discussed later) to the color filters **86** except that the coloration is done with an aluminum or silver coating so that it transmits a percentage of light and reflects a percentage. Dimming wheel **89** can be interchanged with a conventional

color wheel if desired. Frost wheel **87** provides variable frost (softens the light) due to five trapezoidal sections of acid etched glass. Each section is etched to a different degree to provide variable frost. A sixth and final section of the frost wheel is an open position. A conventional color wheel may also replace frost wheel **87** if desired.

Color filters **86y**, **86c** and **86m**, FIG. 6 comprise a disc-shaped boro-silicate glass substrate **301** having a planar surface **302** which includes a photolithographically etched film **303** deposited thereon. Film **303** forms a Gaussian pattern arcuate band **304** extending around a substantial portion of planar surface **302**. Band **304** has an inner edge **305** and an outer edge **306** and the density of film **303** is greater in an area designated g+ along a radius r between inner edge **305** and outer edge **306** and less in an area designated g- along radius r at inner edge **305** and less in a corresponding area g- along radius r at outer edge **306**. A portion of substrate **301** is cut away to form a notch **307** which interrupts arcuate band **304**. A portion p of planar surface **302** adjacent notch **307** is coated with a solid film **303a** having no pattern as the etched film **303** in band **304**.

Color filters **86y**, **86c** and **86m** are used in combination with lamp **72** to produce desired color effects. Beam L, produced by lamp **72**, has a typical power gradient, which is not uniform across the beam. A ratio of power from the center of the beam to beam edge is often on the order of 50%. Known variable density filters which do not address the power gradient of the beam, produce results which are non-uniform and leave an apparent white spot in the center of the beam while darkening the beam edge which makes the coloration objectionable.

Advantageously, the Gaussian patterning of the color filters of this invention is coincident with the inverse of the power gradient of the beam L. That is, the color filter gradient is greatest toward the center of the band **304** where it crosses the maximum power point of the beam L. In this manner, the maximum power of the beam L is coincident with the maximum filtering effect of filters **86y**, **86c** and **86m**.

Saturation of the Gaussian color pattern increases proportionally as the filter is rotated in a direction represented by directional arrow D, FIG. 6, culminating in 100% saturation at about 300 degrees of angular travel where portion p of planar surface **302** is coated with solid film **303a**.

A bracket **90** is mounted on hot plate **76** to position a heat filter **92** to reflect IR radiation R back to the cooling fins **63**, **62** to be dissipated from housing **12**. Heat filter **92** comprises the bracket **90**, FIGS. 3 and 4, which is generally of an A-frame construction and includes a first filter **98a** mounted at about a ninety degree angle relative to a second filter **98b**. Filter **92** is used to reflect damaging infrared radiation R away from the previously mentioned heat sensitive optical components mounted on shafts **84**. Thus, these filters are at an angle to light beam L passing therethrough. The result is a reflection of IR radiation outwardly toward the fins, as is best shown in FIG. 3. First and second filters **98a**, **98b**, respectively are preferably formed of a suitable 1.75 mm thick substrate of boro-silicate glass material and has a thin film dichroic coating on both sides. The coating on one side facing lamp **72**, will provide infrared reflectance of from about 730 nm to about 1.050 nm. The coating in the opposite side will provide reflectance of from about 1.050 nm to about 1.700 nm.

A lenticular lens device **88**, FIG. 7A is rotatably mounted adjacent one side of motor mounting plate **78**. Lens device **88** is mounted on one of the shafts **84** which is rotatably

driven by one of the motors **82** suitably attached on another side of motor mounting plate **78**. Lens device **88** comprises a disc shape and is formed of an aluminum or other suitable metal retainer **188** having a plurality of openings **188a**, **188b**, **188c**, **188d** formed therein. An aperture **188e** in the geometric center is for receiving shaft **84** whereby lens device **88** is rotatable. One of the openings **188a** includes a lenticular lens element **288a** formed of a suitable high temperature glass having a plurality of substantially parallel grooves or lenticules **388a** formed therein. Another of the openings **188b** includes substantially the same lenticular lens element **288b** but having the grooves or lenticules **388b** oriented at 90 degrees relative to lenticules **388a**. Still another of the openings **188c** includes either a suitable well know frost material **288c**, FIG. 7A, or alternatively a homogeneous lens element **488c**, FIG. 7B, including an array of adjacent convex surfaces as is known. The last of the openings **188d** remains open and contains no lens element so that the light beam passing therethrough retains its normal light pattern having a circular cross-sectional geometry. The lens elements **288a**, **288b**, **288c** or **488c** may be fixedly secured to retainer **188** by a suitable high temperature silicone based adhesive or may be removably secured by some suitable attachment device.

As it is well known, homogeneous lens **488c** will change the magnification and increase the beam angle but will not affect the geometric shape of light beam L. Similarly, frosted lens **288c** will diffuse and soften the beam L and spread out the beam angle but will not affect the geometric shape of the beam. Lenticular lens elements **288a** and **288b** will change the geometric shape of the beam from a circular to an elongated ellipsoidal shape.

In FIG. 7A, lenticular lens device **88** is illustrated. When the device **88** is mounted in fixture **10** for rotation on shaft **84** engaged in aperture **188e**, a fixed beam of light L passes through lens device **88** as the device **88** is rotated. When opening **188d** is in the path of beam L, there is no affect on the beam since there is no lens in opening **188d**. When device **88** is rotated to a position where either frosted lens **288c**, FIG. 7A, interrupts beam L or homogeneous lens **488c** in the case where the embodiment of FIG. 7B is used, the beam angle is affected but the geometric shape of beam L is unchanged. However, when lenticular lens elements **288a** and/or **288b** interrupt the beam L, the normally projected circular geometric shape of beam L is changed to an oblong or ellipsoidal shape O as illustrated in phantom in FIG. 7A. Furthermore, as the lens device **88** is rotated through fixed beam L, the oblong shape of beam O changes in orientation.

For purposes of illustration only, several radii are shown in FIG. 7A and extend outwardly through six different positions where rotating lens device interrupts fixed beam L. In a first position the orientation of altered beam O1 on radius R1 is aligned with the direction of lenticules **388a** as they extend across beam L1 which remains fixed. As viewed in FIG. 7A, the oblong projected beam O1 is slightly canted to the right with reference to radius R1. In a second position, the orientation of altered beam O2 on radius R2 is aligned with the direction of lenticules **388a** as they extend across fixed beam L2 which is actually in the same fixed position as the beam designated L or L1. As viewed in FIG. 7A, the longitudinal axis of the projected beam O2 is vertically aligned with reference to radius R2 and as the lens device **88** is further rotated, the oblong projected beam O3, O4, O5 and O6 constantly changes orientation in the direction of rotation with reference to its respective radii R3, R4, R5 and R6 due to the changing orientation of lenticules **388a** and **388b** extending across the fixed light beam.

Also included in yoke **14** is a power supply board **146**, best shown in FIG. 8, mounted behind a portion designated **46** of metal frame **18**. Power supply board **146** is the motor and logic power supply for movement of luminaire **10**. Power supplied to board **146** may be **100** to 240 VAC (50/60 Hz). A voltage selection rectification **148**, changes AC to DC voltage and operates to double the voltage if less than 150 VAC. Output is stored in capacitors **150**, **151** and then a half bridge **152** switches the DC back to AC voltage at 40 kHz. The 40 kHz goes into a transformer **154** which steps the voltage down and isolates the live voltage from the low voltage output circuit. The AC voltage is rectified back to DC voltage and filtered via an inductor-capacitor arrangement at **156**. A voltage mode, pulse width modulator controller **158** is responsible for the feedback of the output voltage and controls the half bridge **152** to produce a constant output voltage. Also, a voltage sense for doubler circuit control is provided at **160**.

A logic board **246**, best shown in FIG. 9, is mounted in yoke **14** behind a portion designated **40**, of metal frame **18**. The logic board is operably connected to a controller and

A logic board **246**, best shown in FIG. 9, is mounted in yoke **14** behind a portion designated **40**, of metal frame **18**. The logic board is operably connected to a controller and controls the above-mentioned pan and tilt, and also controls color wheels, etc., and other operable components of the luminaire **10**. Power from power board **146** is fed to logic board **26** at from about 9VDC to about 40VDC through a voltage regulator circuit **248**. The power is then communicated to a commercially available embedded microprocessor **250**. The power is also communicated to a memory block **252** which comprises 3 different types of memory including Static RAM, Flash ROM and EPROM. The memory **252** is utilized by the microprocessor **250** to perform read/write operations on the code and data stored in the **250** memory which signals pan and tilt commands to luminaire **10**. A serial transceiver **254** provides RS 485 compatible signals to industry standard USITT DMX512 controllers and exchanges (receives and transmits) information with microprocessor **250**. A slave serial module **256** receives information from microprocessor **250** and serializes data received and sends it out over 5 wires to slave modules including motor driver/sensor boards **94** which include infrared photo interrupter sensors **257**, FIG. 3, which respond to tabs and/or notches on component parts of luminaire **10** such as notch **34a** formed in gear **34**, FIG. 2 or tab **86a** on color filter **86**, FIG. 3, which tells the microprocessor **250** the initial (zero or homing) position of motors **26**, **82**, respectively. The serial module **256** retrieves the position information from sensors **257** and sends it to the microprocessor **250** which determines whether to continue to move the filter or gear or to look for the tab/notch.

A stationary lens **96**, is mounted in bezel **58**, best shown in FIG. 1. Lens **96** is a common light diffusing lens similar to a lens used in an automotive headlight. Such lenses are commercially available. The above described combination of power lens **88** and stationary lens **96** provide a beam angle which is preferably from about 10 degrees to about 60 degrees. This can be varied by rotation of power lens **88** and enhanced by interchanging a selected diffusing lens **96**.

While this invention has been illustrated and described in accordance with a preferred embodiment, it is recognized that variations and changes may be made therein without departing from the invention as set forth in the claims.

Having described the invention, what is claimed is:

1. A lens for use in a light fixture provided to project a beam of light, comprising:

- (a) the beam projecting a first light pattern having a first circular cross-sectional geometry; and
 - b) disc mounted for automated rotation in the fixture and movable into a position to interrupt the beam of light for altering the first projected light pattern from the first cross-sectional geometry to a second projected light pattern having a second ellipsoidal cross-sectional geometry different from the first geometry
 - c) a plurality of lenticular lens elements mounted to the rotatable disc for automated, sequential positioning in the beam of light, wherein one of the lens elements is mounted in the disc in a manner sufficient to project an ellipsoidal pattern having a substantially vertical orientation and another of the lens elements is mounted in the disc in a manner sufficient to project an ellipsoidal pattern having a substantially horizontal orientation.
2. A moving light fixture comprising:
- a) a yoke.
 - b) means for movably suspending the yoke from a support;
 - c) a housing movably connected to the yoke, the housing having
 - i) a first portion including a light source and means for removing heat generated from the light source, and
 - ii) a second portion including a plurality of movable color filters and a plurality of lenticular lens, the light source being operable to project a beam of light having a first light pattern of a first cross-sectional geometry, along a path through the color filters and the lens; and
 - d) a disc rotatably mounted in the housing for supporting the plurality of lenticular lens wherein the lenses may be positioned to interrupt the beam of light for altering the first projected light pattern from the first cross-sectional geometry to a second projected light pattern having a second cross-sectional geometry different from the first geometry.

3. The moving light fixture as defined in claim 2 wherein one of the lens elements is mounted in the disc in a manner sufficient to project an ellipsoidal pattern having a substantially vertical orientation and another of the lens elements is mounted in the disc in a manner sufficient to project an ellipsoidal pattern having a substantially horizontal orientation.

4. A moving light fixture comprising:

- a) a yoke.
- b) means for movably suspending the yoke from a support;
- c) a housing movably connected to the yoke, the housing having
 - i) a first portion including a light source and means for removing heat generated from the light source, and
 - ii) a second portion including a plurality of movable color filters and a plurality of lenticular lens, the light source being operable to project a beam of light having a first light pattern of a first cross-sectional geometry, along a path through the color filters and the lens; and
- d) a disc rotatably mounted in the housing for supporting the plurality of lenticular lens wherein the lenses may be positioned to interrupt the beam of light for altering the first projected light pattern from the first cross-sectional geometry to a second projected light pattern having a second cross-sectional geometry different from the first geometry, wherein one of the lens elements is mounted in the disc in a manner sufficient to project an ellipsoidal pattern having a substantially vertical orientation and another of the lens elements is mounted in the disc in a manner sufficient to project an ellipsoidal pattern having a substantially horizontal orientation.

* * * * *